

## WRS-9 Wastewater Removal System Kits

Wastewater Removal System Kits are designed to pump wastewater from laundry trays, washing machines, sinks, or dehumidifiers. They are not designed to pump raw sewage, fluids other than water, or fluids with solids. The WRS-9 System is able to handle 3/4-inch solids. The inlet screen has been removed and uses a 3/4-inch solids handling effluent pump.

The WRS-9 complies with the Uniform Plumbing Code (UPC®) and IAPMO PS 52.

Maximum fluid temperature is 125 °F. The unit is designed to fit under most sinks, so in many cases it is not necessary to recess the unit into the floor. See pump manual for more information.

This product is covered by a Limited Warranty for a period of 3 years from the date of original purchase by the consumer. For complete warranty information, refer to [www.LittleGiant.com](http://www.LittleGiant.com).



### Specifications

Model	Volts	HP	Hertz	Amps	Watts
WRS-9	115	4/10	60	7.5	800

Gallons (Liters) per Minute at Height				Shut-Off (ft/m)
5 ft (1.5 m)	10 ft (3.0 m)	15 ft (4.6 m)	20 ft (6.1 m)	
70 (265.0)	65 (246.1)	55 (208.2)	50 (189.3)	40 (12.2)

### SAFETY INSTRUCTIONS

This equipment should be installed and serviced by technically qualified personnel who are familiar with the correct selection and use of appropriate tools, equipment, and procedures. Failure to comply with national and local electrical and plumbing codes and within Little Giant recommendations may result in electrical shock or fire hazard, unsatisfactory performance, or equipment failure.

Know the product's application, limitations, and potential hazards. Read and follow instructions carefully to avoid injury and property damage. Do not disassemble or repair unit unless described in this manual.

Failure to follow installation or operation procedures and all applicable codes may result in the following hazards:

#### DANGER



**Risk of death, personal injury, or property damage due to explosion, fire, or electric shock.**

- Do not use to pump flammable or explosive fluids such as gasoline, fuel oil, kerosene, etc.
- Do not use in explosive atmospheres or hazardous locations as classified by the NEC, ANSI/NFPA70.
- Do not handle a pump or pump motor with wet hands or when standing on a wet or damp surface, or in water.
- When a pump is in its application, do not touch the motor, pipes, or water until the unit is unplugged or electrically disconnected.
- If the power disconnect is out of sight, lock it in the open position and tag it to prevent unexpected application of power.
- If the disconnect panel is not accessible, contact the electric company to stop service.

**⚠ WARNING**



**Risk of severe injury or death by electrical shock.**

- To reduce risk of electrical shock, disconnect power before working on or around the system. More than one disconnect switch may be required to de-energize the equipment before servicing.
- Wire pump system for correct voltage.
- Be certain that this pump is connected to a circuit equipped with a ground fault circuit interrupter (GFCI) device if required by code.
- Some pumps are supplied with a grounding conductor and grounding-type attachment plug. To reduce risk of electric shock, be certain that it is connected only to a properly grounded grounding-type receptacle. Do not remove the third prong from the plug. The third prong is to ground the pump to help prevent possible electric shock hazard.
- The pump includes a grounding connector. To reduce risk of electric shock, be certain that it is properly connected to ground.
- Check local electrical and building codes before installation. The installation must be in accordance with their regulations as well as the most recent National Electrical Code (NEC) and the Occupational Safety and Health Act (OSHA).
- Do not use the power cord for lifting the pump.
- Do not use an extension cord.
- The pump should only be used with liquids compatible with pump component materials. If the pump is used with liquids incompatible with the pump components, the liquid can cause failure to the electrical insulation system resulting in electrical shock.

**⚠ CAUTION**



**Risk of bodily injury, electric shock, or equipment damage.**

- This equipment must not be used by children or persons with reduced physical, sensory or mental abilities, or lacking in experience and expertise, unless supervised or instructed. Children may not use the equipment, nor may they play with the unit or in the immediate vicinity.
- Equipment can start automatically. Lockout-Tagout before servicing equipment.
- An inoperative or malfunctioning pump could lead to flooding, resulting in personal injury or property damage.
- Operation of this equipment requires detailed installation and operation instructions provided in this manual. Read entire manual before starting installation and operation. End User should receive and retain manual for future use.
- Keep safety labels clean and in good condition.
- Keep work area clean, well-lit, and uncluttered.
- Wear safety glasses while installing or performing maintenance on the pump.

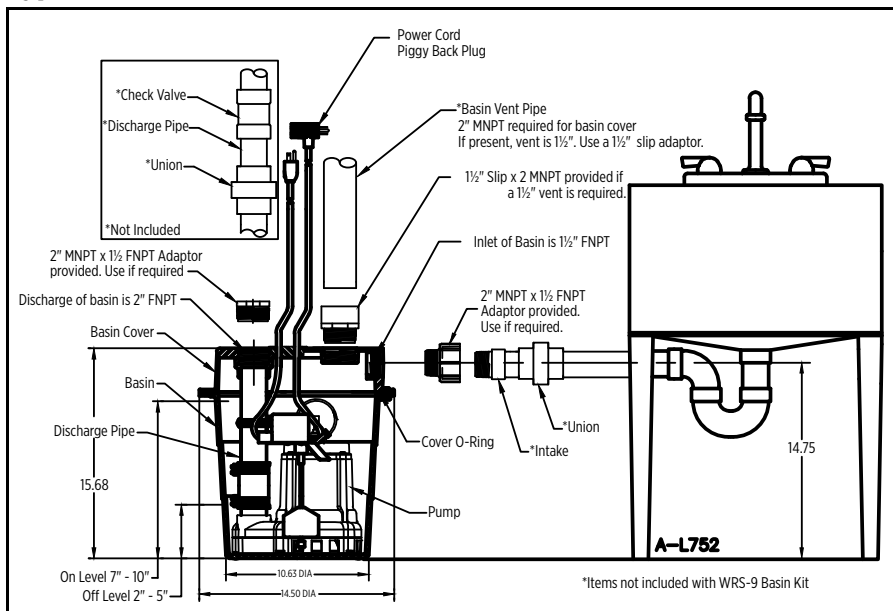
**NOTICE**

**Risk of damage to pump or other equipment.**

- Support pump and piping when assembling and when installed. Failure to do so may cause piping to break, pump to fail, motor bearing failures, etc.
- Periodically inspect pump and system components. Regularly check hoses for weakness or wear, making certain that all connections are secure.
- Schedule and perform routine maintenance as required and in accordance with the Maintenance section of this manual.

# INSTALLATION

## Typical Installation



### Pump Location

- Locate unit so that inlet is gravity-fed. Unit will not draw water up from a lower level.
- Surface must be level.
- Keep basin away from any item that could puncture it.
- Position selected should be convenient to inlet, discharge, and vent piping, and electrical supply.

### Inlet Plumbing

1. Plumb inlet to basin cover fitting using 1/2-inch threaded pipe.
  - Do not reduce the sizing.
2. Install a P-trap and a union next to the basin.
3. Hand tighten plastic fittings.
4. Use pipe joint compound.

**NOTE:** A 1/2" MNPT x 2" slip pipe adapter is provided if a 2-inch inlet is required.

### Discharge Plumbing

1. Plumb discharge to basin cover fitting using 2-inch threaded pipe.
2. Use a union and a swing check valve no more than 3 inches (7.6 cm) from top of basin cover.
3. Be sure check valve is installed in proper flow direction.
  - No water will flow out of unit if check valve is installed backwards.
4. Seal discharge piping with pipe joint compound.
5. Verify lift height of pump is not exceeded.
6. Hand tighten plastic fittings.

**NOTE:** A 2" MNPT x 1/2" FNPT reducer bushing is provided if a 1/2-inch discharge is required.

## Vent Plumbing

The vent is essential for proper switch operation and must not be omitted or restricted. The basin must be vented in accordance with state and local codes.

1. Plumb vent to fitting in basin cover using 2-inch threaded pipe.
2. Hand tighten plastic fittings.
3. Use pipe joint compound.

**NOTE:** A 2" MNPT x 1½" slip pipe adapter is provided if a 1½-inch vent is required.

**IMPORTANT:** Do not use a mechanical vent with this product as it will cause improper operation of the automatic switch.

## Electrical Connections

Connect the power cord to a constant source of power matching the pump nameplate voltage.

- The pump should be connected or wired to its own circuit, with no other electric receptacles or equipment in the circuit.
- The fuses or circuit breaker should be of ample capacity.
- Connect to a circuit equipped with a ground fault circuit interrupter (GFCI) if required by code.
- Under no circumstances should outlet box or receptacle be located where it may become flooded or submerged by water.
- If installed in basement, plug connection should be four feet or more above floor, especially if basement floods.

Some pumps are supplied with a 3-prong electrical plug. The third prong is to ground the pump to prevent possible electrical shock.

- Plug into a grounded receptacle with vent tube pointed down.
- Vent tube must remain unobstructed for proper pump operation.
- Secure power cord to piping with ties or tape.

**IMPORTANT:** Do not cut plug from the cord. If the plug is cut or the cord is shortened, then the warranty will be void.

**IMPORTANT:** If the power cord is damaged, the whole unit must be replaced.

## Operation Testing

1. Fill unit with water through inlet.
2. Verify that the pump starts when the water reaches 7 – 10 inches (17.8 cm – 25.4 cm).
3. Verify that the pump stops when the water reaches 2 – 5 inches (5.1 cm – 12.7 cm).

## MAINTENANCE

### ⚠ CAUTION



#### Risk of bodily injury, electric shock, or equipment damage.

- Before performing any maintenance, shut off water inlet and disconnect power cord from supply outlet.
- Pump may become hot during operation. Allow pump to cool before servicing.

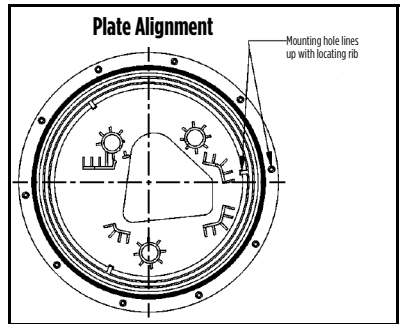
Refer to [“Replacement Parts” on page 7](#) for names and relative location of all components to assist you while following these instructions. Consult the instruction sheet illustrations for proper assembly and disassembly of your Little Giant pump.

### Cleaning the Basin Screen

1. Remove the four screen cover plate screws, plastic cover plate, seal ring, and screen.
2. Clean inlet screen using a mild detergent and water.
3. Examine O-ring. If deformed, replace.

### Cleaning the Basin

1. Remove the screws from cover.
2. Remove the cord grommet. Loosen cords to allow slack.
3. Remove cover.
4. Remove pump.
5. Clean basin using a mild detergent and water.
6. Reassemble in reverse order.
  - Be sure the pump alignment plate's mounting holes are properly aligned with the locating rib on the inside of the basin.
  - Ensure the cover seal ring is installed correctly to form a proper seal.
  - Tighten cover screws to a torque of 18–20 in-lbs.



### Cleaning the Pump

1. Remove pump
2. Pull off the pressed in screen.
3. Remove the six base screws.
4. Remove plastic pump base to clean around impeller and inside base.

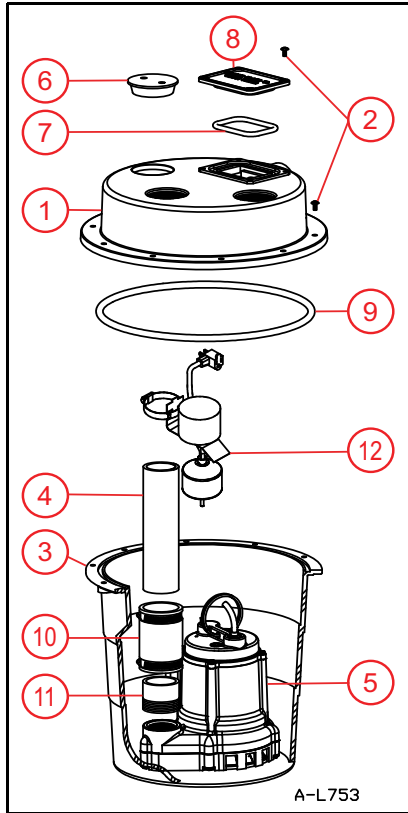
**IMPORTANT:** Do not remove the impeller.

5. Clean parts using a mild detergent and water.
6. Reinstall the base.
  - Be sure seal ring is seated properly in groove.
  - Tighten screws to a torque of 10–15 in-lbs.
7. Reinstall the pump screen and pump.

## Troubleshooting

Problem	Probable Causes	Corrective Action
Pump will not shut off	Defective switch	Replace switch after confirming it is defective. An operative switch should read infinite resistance when open, zero resistance when closed, using an ohmmeter.
	Pump is air locked	Shut power off for approximately 1 minute. Then restart. Repeat several times to clear air from pump. If system includes a check valve, drill a $\frac{3}{16}$ -inch hole in discharge pipe approximately 2-inches above discharge connections.
	Liquid inflow matches pump capacity	Larger pump is required.
	Loose connection in level control wiring	Check control wiring.
Pump runs but does not discharge liquid	Check valve installed backwards	Check flow indicating arrow on check valve body to insure it is installed properly.
	Check valve stuck or plugged	Remove check valve and inspect for proper operation.
	Lift too high for pump	Check rating table
	Inlet to impeller plugged	Pull pump and clean.
Pump does not deliver rated capacity	Pump is air locked	Shut power off for approximately 1 minute. Then restart. Repeat several times to clear air from pump. If system includes a check valve, drill a $\frac{3}{16}$ -inch hole in discharge pipe approximately 2-inches above discharge connections.
	Lift too high for pump	Check rated pump performance.
	Low voltage, speed too slow	Check for proper supply voltage to make certain it corresponds to nameplate voltage.
	Impeller or discharge pipe is clogged	Pull pump and clean. Check pipe for scale or corrosion.
	Impeller wear due to abrasives	Replace worn impeller.

## Replacement Parts



Item	Description	Order Number
1	Basin cover	113130
2	Screw, 1/4"-20 x 5/8" (Qty: 14)	901709
3	Basin	113129
4	Discharge pipe	109310
5	Pump	509806
6	2 hole cord grommet	925011
7	O-Ring; Buna-N, 2-339	924066
8	Cover plate, screen	113132
9	Seal ring	924065
10	Coupling pipe	945006
11	Discharge adapter	109308
12*	RVMS switch	599261

**\*IMPORTANT:** When replacing the provided float switch with 599261, remove 1/4 inches off the end and move the rubber grommet 1/2 inches from the cut end.



For technical assistance, parts, or repair, please contact:

**800.701.7894** | **littlegiant.com**

Form 998718 Rev. 003 01/23

**LittleGIANT®**  
Franklin Electric Co., Inc. | Oklahoma City, OK 73157-2010  
Copyright © 2023, Franklin Electric, Co., Inc. All rights reserved.



## Conjuntos para aguas residuales WRS-9

Los conjuntos para aguas residuales estáis diseñada para bombear aguas residuales de bandejas de lavandería, lavadoras, lavaplatos o deshumidificadores. Está no diseñada para bombear aguas residuales no tratadas, fluidos que no sean agua, o fluidos con sólidos. El sistema WRS-9 es capaz de manejar sólidos de  $\frac{3}{4}$  in (1.9 cm). La rejilla de entrada se ha eliminado y utiliza una bomba de efluentes de manejo de sólidos de  $\frac{3}{4}$  in (1.9 cm).

El WRS-9 cumple el Código Uniforme de Fontanería (UPC®) y el IAPMO PS 52.

La temperatura máxima del fluido es 51.7 °C (125 °F). La unidad está diseñada para instalarse bajo la mayoría de los lavaplatos, de manera que, en muchos casos, no es necesario empotrar la unidad en el piso. Consulte el manual de la bomba para obtener más información.

Este producto está cubierto por una garantía limitada por un período de 3 años desde la fecha original de compra por parte del consumidor. Para obtener información completa sobre la garantía, consulte

[www.LittleGiant.com](http://www.LittleGiant.com).



## Especificaciones

Modelo	Voltios	HP	Hertz	Amperios	Vatios
WRS-9	115	4/10	60	7.5	800

Litros (Galones) por minuto en alturas				Apagado (m/pies)
1.5 m (5 pies)	3.0 m (10 pies)	4.6 m (15 pies)	6.1 m (20 pies)	
265.0 (70)	246.1 (65)	208.2 (55)	189.3 (50)	12.2 (40)

## INSTRUCCIONES SOBRE SEGURIDAD

La instalación y el mantenimiento de este equipo deben estar a cargo de personal con capacitación técnica que esté familiarizado con la correcta elección y uso de las herramientas, equipos y procedimientos adecuados. El hecho de no cumplir con los códigos eléctricos y de plomería nacionales y locales y con las recomendaciones de Little Giant puede provocar peligros de descarga eléctrica o incendio, desempeños insatisfactorios o fallas del equipo.

Lea y siga las instrucciones cuidadosamente para evitar lesiones y daños a los bienes. No desarme ni repare la unidad salvo que esté descrito en este manual.

El hecho de no seguir los procedimientos de instalación o funcionamiento y todos los códigos aplicables puede ocasionar los siguientes peligros:

### PELIGRO



#### **Riesgo de muerte, lesiones personales o daños materiales por explosión, incendio o descarga eléctrica.**

- No usar para bombear líquidos inflamables o explosivos como gasolina, fueloil, kerosene, etc.
- No usar en atmósferas explosivas ni lugares peligrosos según la clasificación de la NEC, ANSI/NFPA70.
- No manipule la bomba ni el motor de la bomba con las manos mojadas o parado sobre una superficie mojada o húmeda o en agua.
- Cuando haya una bomba en su aplicación, no toque el motor, las tuberías ni el agua sino hasta haber desenchufado o eléctricamente desconectado la unidad.
- Si la desconexión de alimentación está fuera del sitio, bloquéela en la posición abierta y etiquétela para evitar una conexión inesperada de la alimentación.
- Si no se tuviera acceso al panel de desconexión, comuníquese con la compañía eléctrica para interrumpir el servicio.

### ADVERTENCIA



#### **Riesgo de lesiones graves o muerte por descarga eléctrica.**

- Para reducir el riesgo de descarga eléctrica, desconecte la energía antes de trabajar en el sistema o cerca de él. Es posible que sea necesario más de un interruptor de desconexión para cortar la energía del equipo antes de realizarle un mantenimiento.
- Cablee el sistema de bombeo para los voltajes correctos.
- Asegúrese de que esta bomba esté conectada a un circuito equipado con un dispositivo interruptor de circuito por falla de conexión a tierra (GFIC) si es requerido por el código.
- La bomba incluye un conductor a tierra. Para reducir el riesgo de una descarga eléctrica, asegúrese de que esté correctamente conectada a tierra.
- Para evitar peligros durante la instalación o el mantenimiento, instale un interruptor de desconexión de doble polo cerca de la instalación de la bomba.
- Compruebe los códigos eléctricos y de construcción locales antes de la instalación. La instalación debe estar de acuerdo con sus regulaciones, así como el National Electrical Code (NEC) más reciente y la ley de Seguridad y Salud Ocupacionales (OSHA).
- No use los cables conductores para levantar la bomba.
- No use un prolongador.
- La bomba solo se debe utilizar con líquidos compatibles con los materiales que componen la bomba. Si la bomba se utiliza con líquidos incompatibles con los componentes de la bomba, el líquido puede causar fallas en el sistema de aislamiento eléctrico, lo que resulta en una descarga eléctrica.

**⚠ PRECAUCIÓN**



**Riesgo de lesiones corporales, descargas eléctricas o daños al equipo.**

- Este equipo no deben usarlo niños ni personas con capacidades físicas, sensoriales o mentales reducidas, ni aquellos que carezcan de experiencia y capacitación, salvo que estén bajo supervisión o instrucción. Los niños no podrán usar el equipo ni jugar con la unidad o en las cercanías inmediatas.
- El equipo puede encenderse en forma automática. Realice los procedimientos de bloqueo/etiquetado antes de efectuar el mantenimiento del equipo.
- Una bomba que no funciona o funciona mal podría provocar una inundación y provocar lesiones personales o daños materiales.
- La operación de este equipo exige instrucciones detalladas para su instalación y operación que se encuentran en este manual para su uso con este producto. Lea la totalidad del manual antes de comenzar la instalación y la operación. El usuario final debe recibir y conservar el manual para usos futuros.
- Mantenga las etiquetas de seguridad limpias y en buenas condiciones.
- Mantenga el área de trabajo limpia, bien iluminada y ordenada.
- Use gafas de seguridad mientras realiza la instalación o el mantenimiento de la bomba.

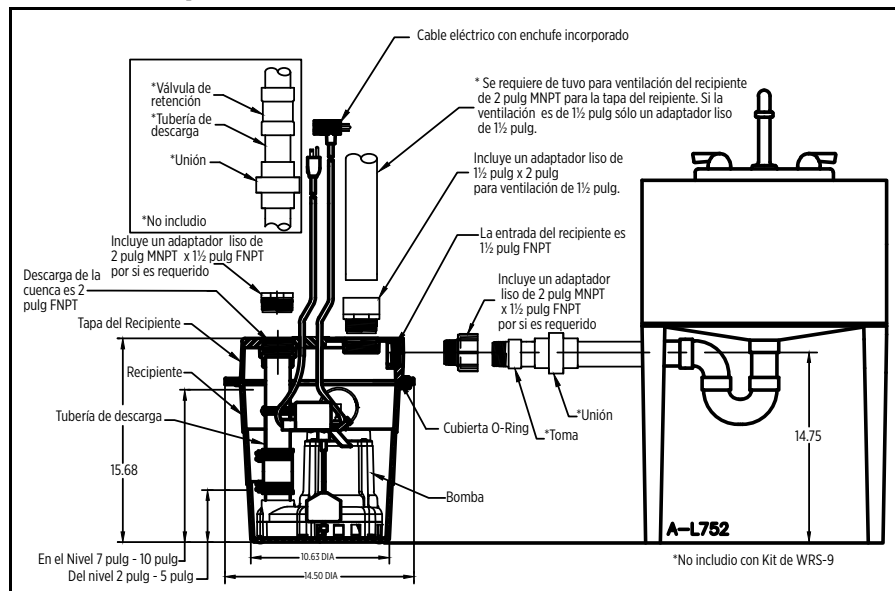
**AVISO**

**Riesgo de daños a bomba u otros equipos.**

- Sostenga la bomba y la tubería durante el ensamblaje y cuando estén instaladas. Si esto no se realiza, la tubería se puede romper, la bomba puede tener fallas, los cojinetes del motor pueden tener fallas, etc.
- Inspeccione periódicamente los componentes del sistema y la bomba. Revise regularmente las mangueras para controlar si están débiles o gastadas y asegúrese de que todas las conexiones sean seguras.
- Programe y realice servicios de mantenimiento de rutina, tal como se indica en la sección Mantenimiento del sistema.

# INSTALACIÓN

## Instalación típica



## Ubicación de la bomba

- La unidad debe estar ubicada de manera que la admisión de la bomba sea alimentada por gravedad. La unidad no absorberá agua de un nivel inferior.
- La superficie debe ser plana.
- Mantenga el cuenca lejos de cualquier cosa que lo pueda perforar.
- La posición elegida debe ser conveniente para la toma de agua de la bomba, para la toma de descarga, para la ventilación de la tubería y para el suministro de corriente.

## Tubería de entrada

1. Conecte la toma a la conexión de la cubierta del cuenca utilizando una tubería de 1 1/2 pulgadas roscaada.
  - No reduzca el tamaño.
2. Instalar una unión y un sifón P junto al cuenca.
3. Apriete solamente a mano las conexiones de plástico.
4. Use compuesto de unión de tuberías.

**NOTA:** Se provee un adaptador liso de 1 1/2 pulgadas MNPT x 2 pulgadas si se requiere entrada de 2 pulgadas.

## Tubería de descarga

1. Para conectar la toma de descarga a la conexión de la cubierta del cuenca, utilice tubería roscaada de 2 pulgadas.
2. Utilice una válvula de retención de charnela a una distancia no mayor de 8 cm del tope de la cubierta del cuenca y una unión.

3. Asegúrese de que la válvula de retención sea instalada con la dirección de flujo correcta.
  - Si la válvula de retención es instalada de forma invertida, el agua no fluirá hacia afuera de la unidad.
4. Sellar la tubería de descarga con compuesto de unión de tuberías.
5. Asegúrese de que no se exceda la altura de impulsión de la bomba.
6. Apriete solamente a mano las conexiones plásticas.

**NOTA:** Se provee un adaptador liso de 2 pulgadas MNPT x 1½ pulgadas FNPT si se requiere descarga de 1½ pulgadas.

## Tubería de ventilación

El respiradero es esencial para la operación apropiada del interruptor y no debe omitirse o restringirse. El cuenca debe tener un respiradero conforme a los códigos estatales y locales.

1. Conectar el respiradero a la conexión en la cubierta del cuenca utilizando una tubería de 2 pulgadas roscada
2. Apriete solamente a mano las conexiones plásticas.
3. Use compuesto de unión de tuberías en las roscas.

**NOTA:** Se provee un adaptador liso de 2 pulgadas MNPT x 1½ pulgadas si se requiere ventilación de 1½ pulgadas

**IMPORTANTE:** No use un respiradero mecánico con este producto. Un respiradero mecánico causará que el interruptor automático funcione mal.

## Conexiones eléctricas

Conecte el cable de alimentación a una fuente constante de energía que coincida con el voltaje en la placa de identificación de la bomba.

- La bomba se debe conectar o cablear en su propio circuito sin otras salidas o equipos en la línea de circuito.
- Los fusibles y el disyuntor deben tener una capacidad amplia en el circuito eléctrico.
- Conéctese a un circuito equipado con un dispositivo interruptor de circuito por falla de conexión a tierra (GFIC) si es requerido por el código.
- En ninguna circunstancia debe estar ubicado el toma corriente donde el agua lo pueda inundar o sumergir.
- Si la bomba se instala en un sótano, la conexión de enchufe debe estar a cuatro pies o más por encima del nivel del piso, especialmente si el sótano se inunda.

Algunos modelos vienen con un enchufe de tres puntas. El tercer diente es para ponerla a tierra, con el fin de prevenir el peligro de posibles choques eléctricos.

- Enchufe a un receptáculo conectado a tierra con el tubo del respiradero indicando hacia abajo.
- El tubo de desahogo debe permanecer sin obstrucción para una operación apropiada de la bomba.
- Asegure el cable de corriente a la tubería con amarres o cinta adhesiva.

**IMPORTANTE:** No corte el enchufe del cable. Si se corta el enchufe o se acorta el cable, la garantía será nula.

**IMPORTANTE:** Si el cable de alimentación está dañado, se debe reemplazar la unidad en su totalidad.

## Prueba de operación

1. Llene la unidad de agua a través de la toma.
2. Compruebe que la bomba arranca cuando el agua alcanza 17.8 cm – 25.4 cm (7 pulgadas – 10 pulgadas).
3. Compruebe que la bomba se detiene cuando el agua alcanza 5.1 cm – 12.7 cm (2 pulgadas – 5 pulgadas).

## MANTENIMIENTO

### ⚠ PRECAUCIÓN



#### **Riesgo de lesiones corporales, descargas eléctricas o daños al equipo.**

- Antes de hacer cualquier mantenimiento, cierre la válvula de entrada y desconecte el cable de alimentación de corriente del toma-corriente.
- La bomba puede calentarse durante la operación. Deje que la bomba se enfríe antes de darle mantenimiento.

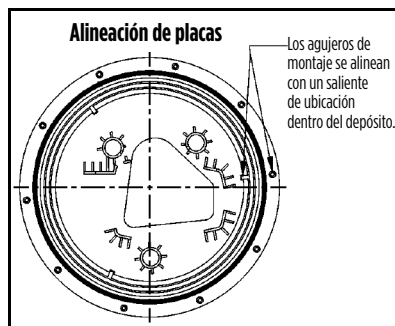
Consulte [“Piezas de repuesto” en la página 16](#) los nombres y la ubicación relativa de todos los componentes para ayudarlo mientras sigue estas instrucciones. Consulte las ilustraciones de la hoja de instrucciones, para montar y desmontar correctamente e su bomba Little Giant.

## Limpié la rejilla del cuenca

1. Saque los cuatro (4) tornillos de la placa de la rejilla, la placa plástica de la cubierta, anillo de cierre, y la rejilla.
2. Limpie la rejilla de entrada con un detergente suave y agua.
3. Examine el anillo anular. Si está deformado, reemplácelo con uno nuevo.

## Limpié el cuenca

1. Quite tornillos de la cubierta.
2. Saque la arandela aislante y afloje los cables para que tengan holgura.
3. Saque la cubierta.
4. Saque la bomba.
5. Limpie el cuenca con un detergente suave y agua.
6. Vuelva a armar en orden inverso.
  - Asegúrese de que los agujeros de montaje de la placa de alineación de la bomba se alinean con un saliente de ubicación dentro del cuenca.
  - Asegúrese de que el anillo de sellado de la tapa está instalado correctamente para formar un sellado adecuado.
  - Apriete los tornillos con una torsión de 21 a 23 cm-Kg.



## Limpié la bomba

1. Saque la bomba.
2. Quite la rejilla instalada a presión.
3. Saque los seis tornillos de la base.

- Saque la base plástica de la bomba para limpiar alrededor del impulsor y dentro de la base.

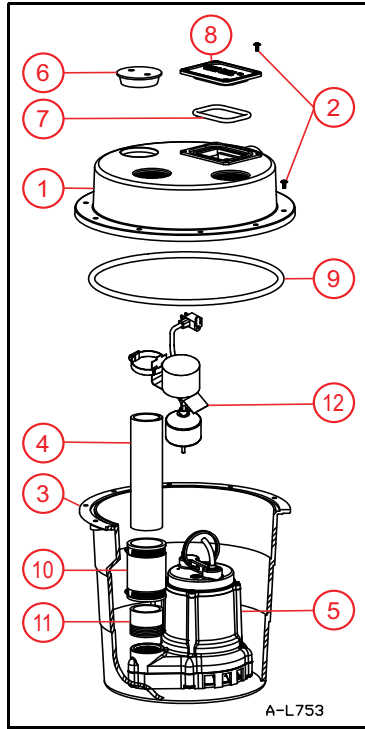
**IMPORTANTE:** No saque el impulsor.

- Limpie las piezas con un detergente suave y agua.
- Instale de nuevo la base.
  - Asegúrese que el anillo de sellado esté apropiadamente asentado en la ranura.
  - Apriete los tornillos con una torsión de 12 a 17 cm-Kg.
- Instale de nuevo la rejilla et la bomba.

## Solución de problemas

Problema	Causas probables	Acción correctiva
La bomba no se apaga	Interruptor defectuoso	Sustituya el interruptor tras confirmar que está defectuoso. Un interruptor operativo debe tener una resistencia- infinita cuando está abierto y cero cuando está cerrado, utilice un ohmímetro.
	La bomba está llena de burbujas de aire	Desconecte la electricidad durante un minuto, aproximadamente. Luego, vuélvala a conectar. Repita varias veces, para purgar el aire de la bomba. Si el sistema tiene un válvula de retención, perforo un orificio de $\frac{3}{16}$ pulgadas (4.76 mm) en la tubería de descarga, aproximadamente 2 pulgadas (50 mm) por encima de las conexiones de descarga.
	El caudal que entra es igual a la capacidad de la bomba	Se requiere una bomba mayor.
	Conexiones flojas en los cables del regulador de nivel	Inspeccione los cables del regulador.
La bomba funciona, pero no descarga líquido	Válvula de retención montada al revés	Inspeccione la flecha indicadora del flujo en el cuerpo de la válvula de retención, para cerciorarse de que se encuentre instalada correctamente.
	Válvula de retención atorada u ocluída	Quite la válvula de retención, y verifique que funcione debidamente.
	Altura de impulsión excesiva para la bomba	Estudie la tabla de capacidad.
	Toma de la rueda móvil conectada	Saque la bomba y límpiela.
	La bomba está llena de burbujas de aire	Desconecte la electricidad durante un minuto, aproximadamente. Luego, vuélvala a conectar. Repita varias veces, para purgar el aire de la bomba. Si el sistema tiene un válvula de retención, perforo un orificio de $\frac{3}{16}$ pulgadas (4.76 mm) en la tubería de descarga, aproximadamente 2 pulgadas (50 mm) por encima de las conexiones de descarga.
La bomba no impele a su capacidad normal	Altura de impulsión excesiva para la bomba	Verifique el rendimiento normal de la bomba.
	Voltaje demasiado bajo, velocidad demasiado baja	Verifique que el suministro de electricidad sea adecuado, para cerciorarse de que corresponde al voltaje indicado en la placa del fabricante.
	La rueda móvil en el tubo de descarga está ocluída	Saque la bomba y límpiela. Inspeccione el tubo, en busca de capas de óxido o corrosión.
	Desgaste de la rueda móvil, debido a abrasivos	Cambie la rueda móvil gastada.

## Piezas de repuesto



Artículo	Descripción	Número de orden
1	La cubierta del cuenca	113130
2	Tornillos, ¼ pulgada-20 x 5/8 pulgada (cantidad: 14)	901709
3	Cuenca	113129
4	Tubo de descarga	109310
5	Bomba	509806
6	Arandela aislante de 2 agujeros	925011
7	Anillo anular; Buna-N, 2-339	924066
8	Placa de la rejilla	113132
9	Anillo de cierre	924065
10	Tubo de acoplamiento	945006
11	Adaptador de descarga	109308
12*	Interruptor de RVMS	599261

**\*IMPORTANTE:** Cuando sustituya el interruptor flotante suministrado con el 599261, retire 1¼ in (3.2 cm) del extremo y mueva la arandela de goma 1½ in (3.81 cm) del extremo cortado.



Para la ayuda técnica, por favor póngase en contacto:

**800.701.7894** | [littlegiant.com](http://littlegiant.com)

Form 998718 Rev. 003 01/23

**LittleGIANT**

Franklin Electric Co., Inc. | Oklahoma City, OK 73157-2010

Copyright © 2023, Franklin Electric, Co., Inc. Todos los derechos están reservados.



## Les ensembles pour eaux usées WRS-9

Ces ensembles pour eaux usées sont conçues pour pomper les eaux usées des bacs à linge sale, des machines à laver, des éviers ou des déshumidificateurs. Ils ne sont pas conçues pour pomper des eaux d'égout, des liquides autres que de l'eau ou des liquides comportant des solides. Le système WRS-9 est capable de traiter des solides de  $\frac{3}{4}$  pouce. La grille d'entrée a été retirée et utilise une pompe à effluents de  $\frac{3}{4}$  pouce pour le traitement des solides.

Le WRS-9 est conforme au Uniform Plumbing Code (UPC®) et à la norme IAPMO PS 52.

La température du liquide ne doit pas dépasser 51.7 °C (125 °F). La pompe est conçue pour aller sous la majorité des éviers; il est donc dans la plupart des cas inutile de l'encastrer dans le plancher. Consultez le manuel de la pompe pour plus d'informations.

Ce produit est couvert par une garantie limitée pour une période de 3 ans à compter de la date d'achat originale par le consommateur. Pour obtenir des informations complètes sur la garantie, consultez [www.LittleGiant.com](http://www.LittleGiant.com).



### Spécifications

Modèle	Volts	CH	Hertz	Ampères	Watts
WRS-9	115	4/10	60	7,5	800

Litres (Gallons) par minute en hauteur				Arrêt (m / pi)
1,5 m (5 pi)	3,0 m (10 pi)	4,6 m (15 pi)	6,1 m (20 pi)	
265,0 (70)	246,1 (65)	208,2 (55)	189,3 (50)	12,2 (40)

## CONSIGNES DE SÉCURITÉ

Cet équipement doit être installé et entretenu par des techniciens qualifiés capables de choisir et d'utiliser les outils, les équipements et les procédures appropriés. Le non-respect des codes électriques et codes de plomberie local et national et des recommandations de Little Giant pourrait mener à une électrocution ou un incendie, une mauvaise performance ou une défaillance de l'équipement.

Lisez et suivez attentivement les instructions pour éviter toute blessure ou tout dommage matériel. Ne démontez pas et ne réparez pas l'appareil si ces opérations ne sont pas décrites dans le présent manuel.

Le non-respect des procédures d'installation ou d'utilisation et de tous les codes en vigueur peut entraîner les risques suivants:

### **DANGER**



#### **Risque de mort, de blessure corporelle ou de dommage matériel en raison d'une explosion, d'un incendie ou d'une électrocution.**

- Ne pas utiliser pour pomper des liquides inflammables ou explosifs comme l'essence, le mazout, le kérosène, etc.
- Ne pas utiliser dans une atmosphère explosive ou un emplacement dangereux selon le Code national de l'électricité, ANSI/NFPA70.
- Ne pas manipuler une pompe ou un moteur de pompe avec les mains mouillées ou debout sur une surface humide ou mouillée, ou dans de l'eau.
- Lorsqu'une pompe est en mode de fonctionnement, ne pas toucher le moteur, les tuyaux ou l'eau tant que l'unité n'a pas été débranchée ou déconnectée électriquement.
- Si le dispositif de coupure du circuit d'alimentation se situe hors site, le verrouiller en position ouverte et le consigner afin d'empêcher toute mise sous tension inopinée.
- Si le panneau du disjoncteur n'est pas accessible, contacter la compagnie d'électricité afin que le courant soit coupé.

### **AVERTISSEMENT**



#### **Risque de blessure grave ou de mort par électrocution.**

- Pour réduire le risque de choc électrique, débranchez l'alimentation avant de travailler sur le système ou autour de celui-ci. Plusieurs interrupteurs d'isolement peuvent être nécessaires pour décharger l'équipement avant de procéder à son entretien.
- Raccorder le système de pompe en respectant la tension indiquée.
- Assurer de brancher la pompe à un circuit protégé par un disjoncteur de défaut à la terre (GFCI) si requis par le code.
- La pompe est munie d'un conducteur pour la mise à la terre. Pour réduire les risques de décharges électriques, la mise à la terre de la pompe doit être faite adéquatement.
- Afin de prévenir tout risque lors de l'installation ou de l'entretien, installez un dispositif de découplage bipolaire à proximité de l'installation de la pompe.
- Vérifiez les codes locaux d'électricité et de bâtiment avant l'installation. L'installation doit être conforme à la réglementation ainsi qu'au NEC (Code américain de l'électricité) le plus récent et l'OSHA (loi sur la santé et la sécurité au travail des États-Unis).
- Ne pas soulever la pompe à l'aide des fils conducteurs.
- Ne pas utiliser de rallonge.
- La pompe doit être utilisée uniquement avec des liquides compatibles avec les matériaux de ses composants. Si la pompe est utilisée avec des liquides incompatibles avec les composants de la pompe, le liquide peut provoquer une défaillance du système d'isolation électrique entraînant un choc électrique.

**⚠ ATTENTION**



**Risque de blessure, de choc électrique ou de dégâts matériels.**

- Cet équipement ne doit pas être utilisé par des enfants ou des personnes aux capacités physiques, sensorielles ou cognitives réduites, ou par des personnes n'ayant pas l'expérience ou l'expertise appropriée, sauf si ces personnes sont supervisées ou ont reçu des instructions à cet effet. Les enfants ne doivent pas utiliser l'équipement ni jouer avec l'appareil ou dans sa proximité immédiate.
- L'équipement peut démarrer automatiquement. Effectuer les procédures de verrouillage/étiquetage avant d'entretenir l'équipement.
- Une pompe inopérante ou défectueuse pourrait entraîner une inondation, des blessures corporelles ou des dommages matériels.
- L'utilisation de cet équipement nécessite les instructions d'installation et d'utilisation détaillées fournies dans le présent manuel à utiliser avec ce produit. Lisez le manuel intégralement avant de procéder à l'installation et à l'utilisation du produit. L'utilisateur final doit recevoir et conserver le manuel pour consultation ultérieure.
- Garder les étiquettes de sécurité propres et en bon état.
- Garder la zone de travail propre, bien éclairée et dégagée.
- Porter des lunettes de sécurité lors de l'installation ou de l'entretien de la pompe.

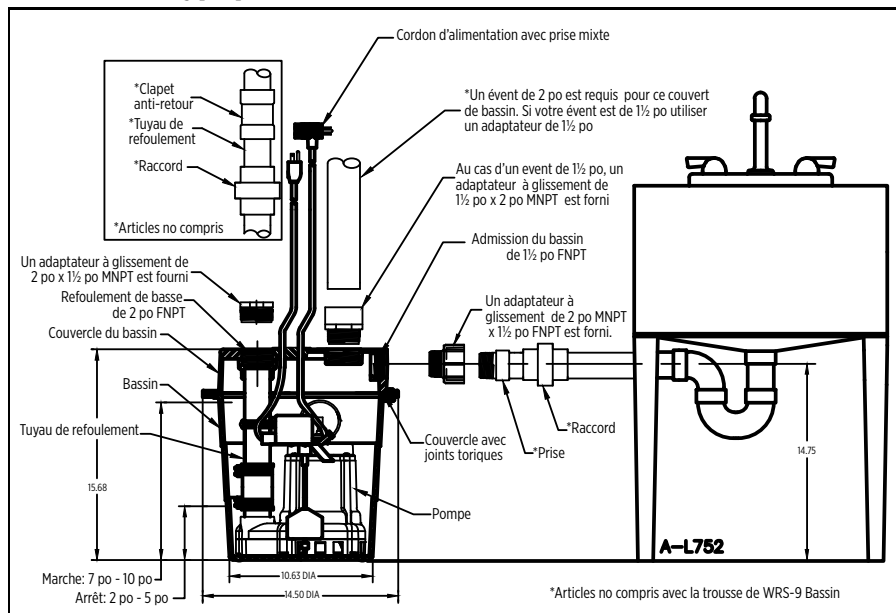
**AVIS**

**Risque de dommages à la pompe ou d'autres équipements.**

- Soutenir la pompe et la tuyauterie au cours de l'assemblage et après installation. Un manquement pourrait entraîner la rupture des tuyaux, la défaillance de la pompe, la défaillance des paliers du moteur, etc.
- Inspecter périodiquement la pompe et les composants du système. Vérifier régulièrement que les tuyaux flexibles ne montrent pas de signe de faiblesse ou d'usure et que les branchements sont tous fiables.
- Prévoir et effectuer un entretien régulier, conformément aux exigences énoncées à la section sur l'entretien.

## INSTALLATION

### Installation typique



### Emplacement de la pompe

- La unité devrait être placée de manière à ce que l'entrée soit alimentée par gravité. La pompe ne peut aspirer l'eau se trouvant à un niveau inférieur.
- La surface doit être plane.
- Tenir le réservoir loin de tout objet qui pourrait le perforer.
- Placez la pompe pour que la position de l'entrée et de la sortie, des tuyaux d'aération et des fils électriques soit convenable.

### Tuyauterie d'entrée

1. Relier l'entrée au raccord du couvercle du réservoir à l'aide d'un tuyau fileté de 1 1/2 po.
  - Ne réduisez pas les dimensions.
2. Utiliser un clapet en P et un raccord (union) à proximité du réservoir.
3. Ne serrer les raccords de plastique qu'à la main.
4. Utiliser une pâte à joints pour tuyaux.

**REMARQUE :** Un adaptateur de tube de 1 1/2 po. MNPT x 2 po. par glissement : est fourni si un entrée de 2 pouces est requis.

### Tuyauterie de décharge

1. Relier la sortie au raccord du couvercle du réservoir à l'aide d'un tuyau fileté de 2 po.
2. Utiliser un raccord et un clapet de non-retour à une distance ne dépassant pas 8 cm du couvercle du réservoir.
3. S'assurer que le clapet est posé dans le bon sens.
  - S'il est installé à l'envers, l'eau ne pourra pas sortir de la pompe.

4. Sceller les conduites de sortie avec de la pâte à joints pour tuyaux.
5. S'assurer aussi que l'hauteur d'élévation de la pompe n'a pas été dépassée.
6. Ne serrer les raccords de plastique qu'à la main.

**REMARQUE :** Un adaptateur de tube de 2 po. MNPT x 1½ po. FNPT par glissement est fourni si un refoulement de 1½ pouces est requis.

## Tuyau d'aération

L'aération est essentielle au bon fonctionnement de l'interrupteur et ne doit être ni omise, ni limitée. Le réservoir doit être aéré conformément aux normes locales et provinciales.

1. Relier le tuyau d'aération au raccord du couvercle du réservoir à l'aide d'un tuyau fileté de 2 po.
2. Ne serrer les raccords de plastique qu'à la main.
3. Utiliser de la pâte à joints sur les filets.

**REMARQUE :** Un adaptateur de tube de 2 po. MNPT x 1½ po. par glissement est fourni si un écart de 1½ po. est requis.

**IMPORTANT :** Ne pas utiliser d'aération mécanique avec ce produit : une telle méthode causerait un mauvais fonctionnement de l'interrupteur.

## Connexions électriques

Raccordez le cordon d'alimentation à une source d'alimentation électrique constante qui correspond à la plaque signalétique de la pompe.

- La pompe doit être connectée ou branchée sur son propre circuit, sans autre prise ou équipement sur la ligne du circuit.
- Les fusibles et les disjoncteurs doivent être d'une capacité suffisante dans le circuit électrique.
- Assurez-vous que cette pompe est raccordée à un circuit doté d'un disjoncteur différentiel de fuite à la terre (DDFT) si requis par le code.
- S'assurer que l'eau ne peut atteindre le niveau des connexions. Le boîtier ou la prise de courant ne devrait jamais se trouver à endroit où il pourrait être submergé.
- Si la pompe est installée dans un sous-sol, la connexion électrique doit se faire à au moins quatre pieds du niveau du sol, particulièrement si le sous-sol risque d'être inondé.

Certains modèles sont fournis avec une fiche d'alimentation électrique à trois broches. La troisième est destinée à raccorder la pompe à la terre pour éliminer les risques d'électrocution.

- Raccorder à une prise mise à la terre avec le tuyau de ventilation dirigé vers le bas.
- Le tube d'aération doit être libre afin d'assurer le bon fonctionnement de la pompe.
- Fixer le fil d'alimentation aux tuyaux avec des attaches ou du ruban adhésif.

**IMPORTANT :** Ne pas couper la fiche du cordon. Couper la fiche ou raccourcir le cordon entraînera l'annulation de la garantie.

**IMPORTANT :** Si le cordon d'alimentation est endommagé, l'unité entière doit être remplacée.

## Test de fonctionnement

1. Remplir le réservoir d'eau par l'entrée.
2. Vérifiez que la pompe démarre lorsque l'eau atteint 17.8 cm – 25.4 cm (7 po. – 10 po.).
3. Vérifiez que la pompe s'arrête lorsque l'eau atteint 5.1 cm – 12.7 cm (2 po. – 5 po.).

## ENTRETIEN

### ⚠ ATTENTION



**Risque de blessure, de choc électrique ou de dégâts matériels.**

- Avant toute opération d'entretien, couper l'entrée d'eau et débrancher la pompe.
- Il est possible que la pompe soit chaude après avoir fonctionné. Attendre qu'elle refroidisse avant d'en faire l'entretien.

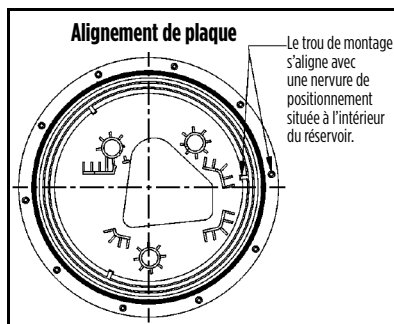
Consultez "[Pièces de rechange](#)" à la page 24 pour les noms et emplacements relatifs de tous les éléments afin de suivre correctement ces instructions. Lire attentivement le mode d'emploi avant le montage ou le démontage de la pompe Little Giant.

## Nettoyer l'écran du réservoir

1. Retirer les quatre vis de la plaque perforée, la plaque de plastique, anneau du joint et l'écran.
2. Nettoyer l'écran du réservoir à l'aide d'eau et d'un détergent doux.
3. Vérifier le joint torique. S'il est déformé, le remplacer.

## Nettoyer le réservoir

1. Enlever les vis du couvercle.
2. Retirer le passe-fil. Donner du jeu aux fils.
3. Retirer le couvercle.
4. Retirer la pompe.
5. Nettoyer le réservoir à l'aide d'eau et d'un détergent doux.
6. Réassembler dans l'ordre inverse.
  - Assurez-vous que le trou de montage de la plaque d'alignement de la pompe s'aligne avec une nervure de positionnement située à l'intérieur du réservoir.
  - Assurez-vous que la bague d'étanchéité du couvercle est installée correctement pour former un joint adéquat.
  - Serrer les vis avec un couple de 21-23 cm·kg.



## Nettoyer la pompe

1. Retirer la pompe de l'installation.
2. Retirer l'écran.
3. Enlever les six vis de la base.
4. Enlever la base de plastique de la pompe de nettoyer le contour de la turbine et l'intérieur de la base.

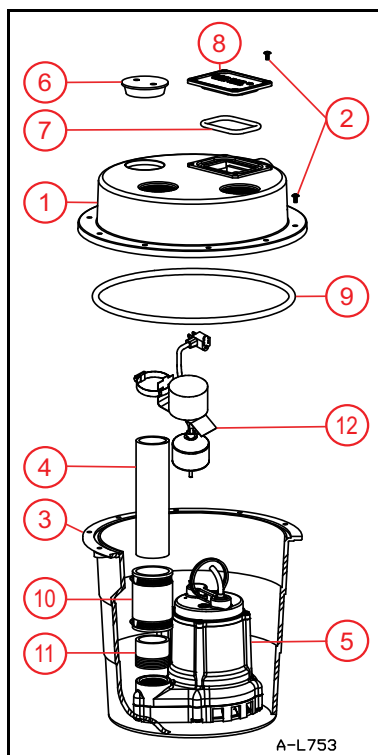
**IMPORTANT :** Ne pas retirer la turbine.

5. Nettoyer les pièces à l'aide d'eau et d'un détergent doux.
6. Réinstaller la base.
  - S'assurer que l'anneau d'étanchéité se trouve dans la rainure.
  - Resserrer les vis avec un couple de 12-17 cm·kg.
7. Réinstaller l'écran et la pompe.

## Dépannage

Problème	Causes probables	Mesure corrective
Le moteur de la pompe ne s'arrête pas	Commutateur défectueux	Remplacez le commutateur après avoir confirmé qu'il est défectueux. Un interrupteur opérationnel doit afficher une résistance infinie lorsqu'il est ouvert, et une résistance nulle lorsqu'il est fermé, en utilisant un ohmmètre.
	Présence d'une poche d'air dans la pompe	Coupez le courant pendant 1 minute environ puis recommencer. Répéter cette opération plusieurs fois pour évacuer l'air de la pompe. S'il y a une soupape d'arrêt, percez un trou de 0,48 cm ( $\frac{3}{16}$ po) dans le tuyau de refoulement, à environ 5,08 cm (2 po) au-dessus des raccords de refoulement.
	Afflux de liquide correspondant au volume de la pompe	Une pompe plus puissante est nécessaire.
	Connexion des fils électriques du niveau de contrôle distendue	Vérifiez le circuit électrique.
La pompe fonctionne mais il n'y a pas d'écoulement de liquide	Montage à l'envers de la soupape d'arrêt	Vérifiez la flèche indiquant l'écoulement pour s'assurer que la soupape d'arrêt est bien montée.
	Soupape d'arrêt bloquée ou obstruée	Démontez et vérifiez la soupape d'arrêt pour un bon fonctionnement.
	Aspiration trop puissante pour la pompe	Vérifiez le tableau d'évaluation.
	Arrivée de la roue à aubes obstruée	Tirez la pompe pour la nettoyer.
	Présence d'une poche d'air dans la pompe	Coupez le courant pendant 1 minute environ puis recommencer. Répéter cette opération plusieurs fois pour évacuer l'air de la pompe. S'il y a une soupape d'arrêt, percez un trou de 0,48 cm ( $\frac{3}{16}$ po) dans le tuyau de refoulement, à environ 5,08 cm (2 po) au-dessus des raccords de refoulement.
La pompe ne pompe pas le volume normal	Aspiration trop puissante pour la pompe	Vérifiez les caractéristiques techniques de la pompe.
	Voltage et vitesse pas assez puissants	S'assurez que le voltage correspond bien à celui mentionné sur la plaque.
	Obstruction de la roue à aubes ou du tuyau d'écoulement	Tirez la pompe pour la nettoyer. Vérifier la présence de dépôts ou de corrosion dans les tuyaux.
	Usure de la roue à aubes due aux abrasifs	Remplacez la roue à aubes usée.

## Pièces de rechange



Article	Description	Numéro de commande
1	Couvercle du réservoir	113130
2	Vis, ¼ po.-20 x ⅝ po. (Qté: 14)	901709
3	Réservoir	113129
4	Tuyau de décharge	109310
5	Pompe	509806
6	Le passe-fil de 2 trous	925011
7	Le joint torique; Buna-N, 2-339	924066
8	L'écran de la plaque perforée	113132
9	L'anneau du joint	924065
10	Tuyau d'accouplement	945006
11	Adaptateur de décharge	109308
12*	Le commutateur de RVMS	599261

**\*IMPORTANT :** Lorsque vous remplacez l'interrupteur à flotteur fourni par 599261, retirez 1¼ pouce de l'extrémité et déplacez le passe-fil en caoutchouc de 1½ pouce de l'extrémité coupée.



Pour l'aide technique, entrez s'il vous plaît en contact :

800.701.7894 | [littlegiant.com](http://littlegiant.com)

Form 998718 Rev. 003 01/23

**Little GIANT**

Franklin Electric Co., Inc. | Oklahoma City, OK 73157-2010

Droits d'auteur © 2023, Franklin Electric, Co., Inc. Tous droits réservés.