

20E SERIES - 2 HP

APPLICATIONS

Effluent wastewater removal, dewatering, water transfer



FEATURES

- Permanent Split Capacitor (PSC)
- Completely submersible, designed for continuous duty
- 2" NPT (51 mm) discharge
- Handles solids up to 3/4" (19 mm) diameter
- 140 °F (60 °C) liquid temperature rating
- cCSAus listed



SERIES SPECIFICATIONS

Volts	Hz	Amps		Watts	Performance (GPM @ Height in Feet)					Shut-Off (ft)	PSI
		FLA	Start		20'	30'	40'	60'	80'		
230*	60	16.4	31	3872	135	125	110	89	62	110	47.6
460**	60	5.75	7.5	2571	135	125	110	89	62	110	47.6
200-208**	60	13.1	32	2478	135	125	110	89	62	110	47.6
230**	60	11.64	28.3	2476	135	125	110	89	62	110	47.6

Item No.	Model	HP	Volts	Phase	Cord	Weight
520200	20E-CIM	2	230	1*	20' 6.1 m	92 lbs 41.47 Kgs
520250	20E-CIM	2	230	3**	20' 6.1 m	92 lbs 41.47 Kgs
520275	20E-CIM	2	460	3**	20' 6.1 m	92 lbs 41.47 Kgs
520225	20E-CIM	2	200-208	3**	20' 6.1 m	92 lbs 41.47 Kgs

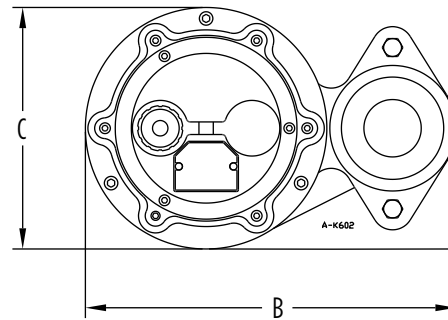
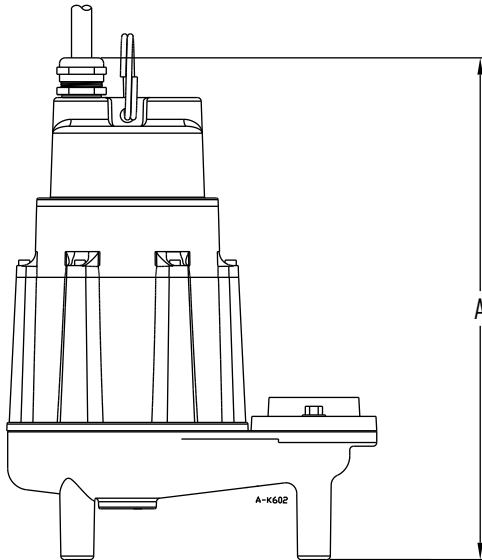
* Single-phase pumps can use a mechanical float switch or a single-phase control panel for automatic on/off

** Three-phase pumps must have a three-phase control panel for automatic or manual operation

EFFLUENT PUMPS

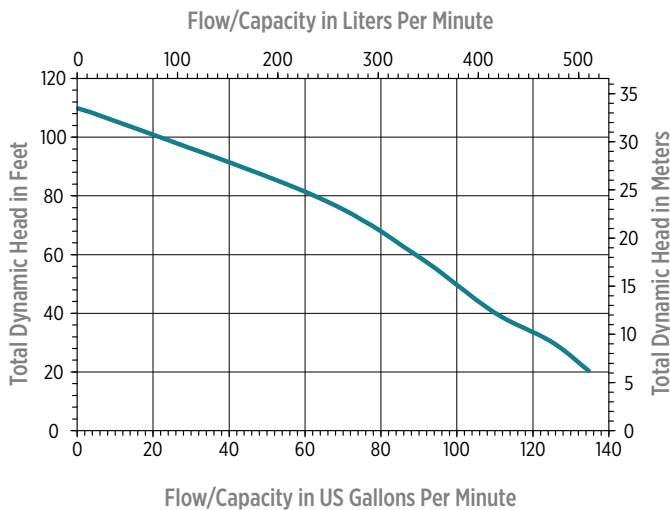
20E SERIES - 2 HP

ENGINEERING DATA



A	B	C
17.75" 45.09 cm	12.93" 32.84 cm	8.42" 21.39 cm

PERFORMANCE DATA



CONSTRUCTION

Cover	Epoxy-coated cast iron
Motor Housing	Epoxy-coated cast iron
Impeller Material	Red brass
Impeller Type	Vortex
Volute	Epoxy-coated cast iron
Mechanical Shaft Seal	Carbon/ceramic
Fasteners	Stainless steel
Shaft	Stainless steel
Bearings	Upper and lower ball bearings
Power Cord	SOOW

