

WRS SERIES - 1/6 HP, 1/3 HP, 4/10 HP DRAINOSAUR® & DRAINOSAUR JR.®

APPLICATIONS

Impractical drainage areas, under sinks, laundry trays

FEATURES

BASIN FEATURES

- 3.5 and 5 gallon size options
- Polypropylene, lightweight, corrosion-resistant
- Designed with O-rings for watertight seal
- Cover includes removable filter for easy cleaning
- Cover includes 2" FNPT discharge (outlet), 2" FNPT vent, 1-1/2" FNPT inlet, and 2" MNPT to 1-1/2" FNPT reducer bushing
- IAPMO listed
- Pre-assembled, ready to install

PUMP FEATURES

- 1/6, 1/3, and 4/10 hp options
- Multiple switch options
- cCSAus listed (pump only)



SERIES SPECIFICATIONS

HP	Volts	Hz	Amps	Watts	GPM @ Height in Feet				Shut-Off (ft)	PSI
					5'	10'	15'	20'		
1/6	115	60	5	380	15	12	8	-	21.00	9.1
1/3	115	60	9	720	46	29	13	-	18.00	7.8
4/10	115	60	7.5	800	70	65	55	50	40	17.3

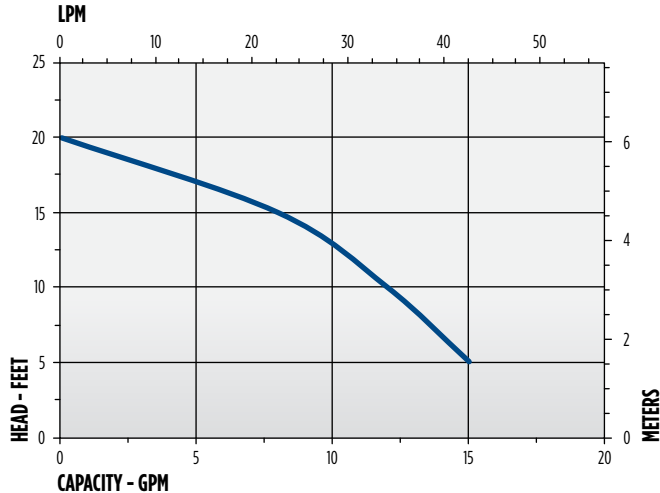
Item No.	Model	HP	Volts	Tank Size	Switch Type / Operation	On Level	Off Level	Cord	Weight	Pump Item No.	Pump Model No.
505055	WRS-5	1/6	115	5 Gallon	Piggyback Diaphragm	6" - 9" 15.2 cm - 23 cm	1" - 4" 2.5 cm - 10 cm	10' 3 m	19 lbs 8.62 Kg	505300	5-ASP
506065	WRSC-6	1/3	115	3.5 Gallon	Integral Diaphragm	4" - 7" 10.2 cm - 17.8 cm	1" - 3" 2.5 cm - 7.6 cm	10' 3 m	24 lbs 10.89 Kg	506160	6-CIA-ML
506055	WRS-6	1/3	115	5 Gallon	Integral Diaphragm	7" - 10" 17.8 cm - 25.4 cm	1" - 4" 2.5 cm - 10.2 cm	10' 3 m	26 lbs 11.79 Kg	506158	6-CIA
509268	WRS-9	4/10	115	5 Gallon	Piggyback Vertical Mechanical	7" - 10" 17.8 cm - 25.4 cm	2" - 5" 5 cm - 12.7 cm	10' 3 m	35 lbs 15.88 Kg	509806	9EC-CIM

SUMP PUMPS

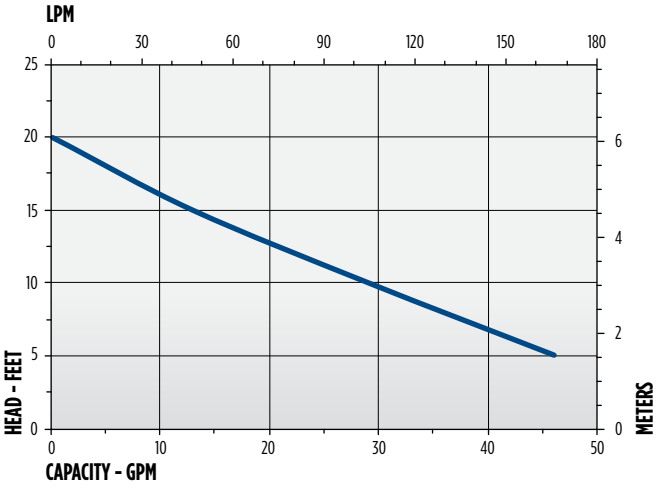
WRS SERIES - 1/6 HP, 1/3 HP, 4/10 HP

PERFORMANCE DATA

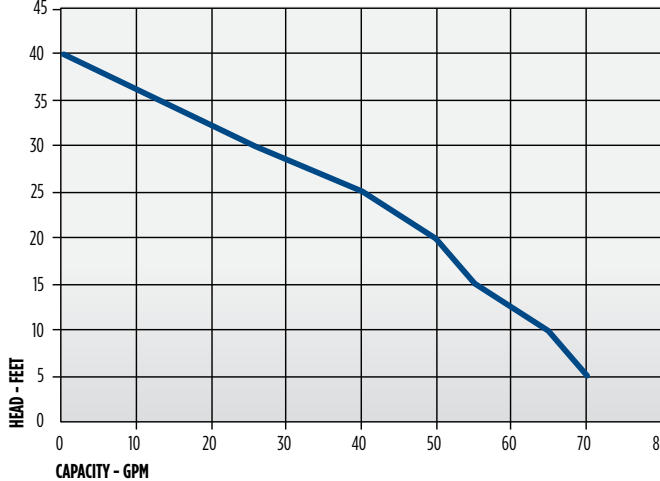
WRS-5



WRS-6 & WRSC-6

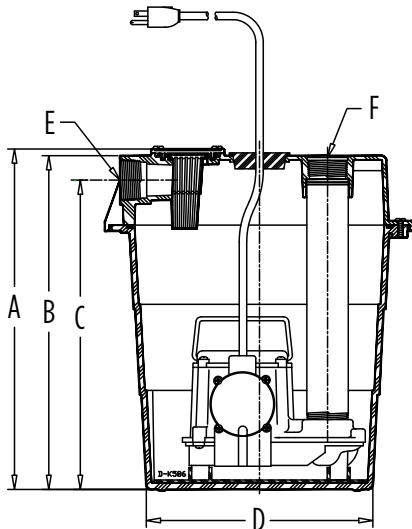


WRS-9

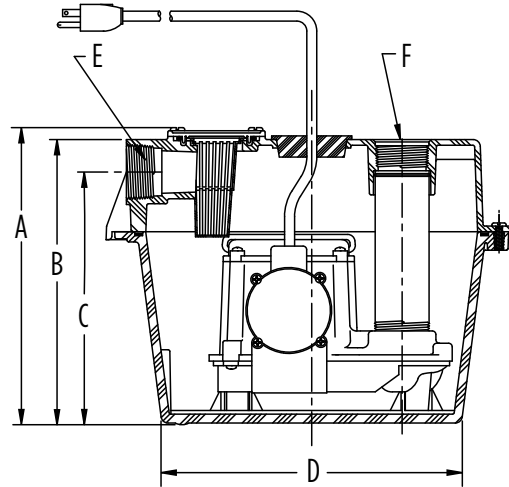


WRS SERIES - 1/6 HP, 1/3 HP, 4/10 HP

ENGINEERING DATA



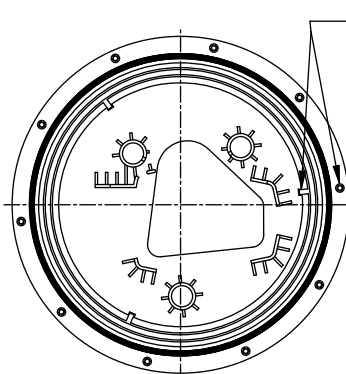
WRS



WRSC

Model	A	B	C	D	E	F
WRS-5	16.17" (41.07 cm)	15.68" (39.83 cm)	14.75" (37.47 cm)	10.63" (27 cm)	1-1/2" (FNPT 3.81 cm)	2" (FNPT 5.08 cm)
WRS-6	16.17" (41.07 cm)	15.68" (39.83 cm)	14.75" (37.47 cm)	10.63" (27 cm)	1-1/2" (FNPT 3.81 cm)	2" (FNPT 5.08 cm)
WRS-9	16.17" (41.07 cm)	15.68" (39.83 cm)	14.75" (37.47 cm)	10.63" (27 cm)	1-1/2" (FNPT 3.81 cm)	2" (FNPT 5.08 cm)
WRSC-6	10.55" (26.8 cm)	10.06" (25.55 cm)	8.9" (22.61 cm)	10.63" (27 cm)	1-1/2" (FNPT 3.81 cm)	2" (FNPT 5.08 cm)

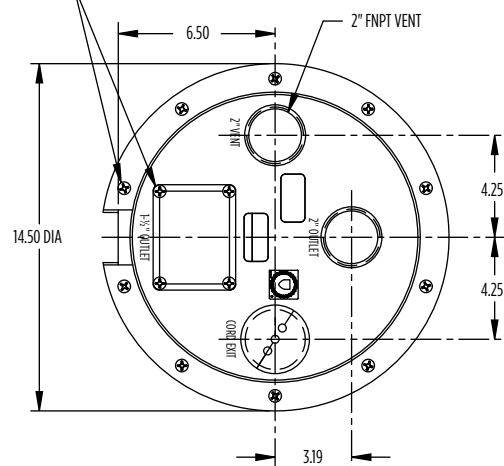
PLATE ALIGNMENT DIAGRAM



MOUNTING HOLE LINES UP WITH A LOCATING RIB ON THE INSIDE OF THE BASIN.

POSITION THE PUMP LOCATING PLATE INSIDE THE BASIN AS SHOWN. THIS WILL ALLOW PROPER ALIGNMENT OF MOUNTING HOLES WHEN INSTALLING THE BASIN COVER. ANY OTHER POSITION WILL NOT ALLOW ASSEMBLY OF COVER.

TORQUE 11-13 IN.-LBS.
(TYP. 14 PLACES)



SUMP PUMPS

WRS SERIES - 1/6 HP, 1/3 HP, 4/10 HP

TYPICAL INSTALLATION

