

# Liberty Pumps®

## ProVore®

# PRG-Series

## Grinder Pump

1 hp

2" Discharge

*Designed for residential sewage applications*

*Higher flow rates allow use with 2" discharge lines*

*Operates on standard 115 or 230 volt 20 amp circuits*

### Features:

- Heavy cast iron construction
- 115V or 230V single phase
- Patented V-Slice® cutter technology
- Shreds difficult solids such as feminine products, rags, towels and wipes that can jam a solids-handling style pump
- Hardened stainless steel cutter and plate
- Oil-filled, thermally protected motor
- PRG-Series residential grinders can be used as a replacement pump in 2" discharge systems using LE40 and LE50-series solids-handling pumps.\*

*\*Consult factory with actual application and head specifications prior to replacing LE40 and LE50-series pumps.*

**Vertical Float Model PRG101AV**



Patent: See  
[www.libertypumps.com/patents](http://www.libertypumps.com/patents)

### Models:

PRG101M 115V, 12a, Manual

PRG101A 115V, 12a, Automatic, wide-angle

PRG101AV 115V, 12a, Automatic, vertical float

PRG102M 230V, 6a, Manual

PRG102A 230V, 6a, Automatic



innovate. evolve.

# PRG-Series

## 1 hp Grinder Pump

### Impeller

Cast Iron, Class 25

### Paint

Powder Coat

### Max Liquid Temp.

60°C / 140° F

### Motor

CSCR style, Class B windings.  
Oil-filled, thermally protected

### Power Cord Type

SJTW, quick disconnect design 10'  
standard length. (25' Optional)

### Motor Housing

Cast Iron, Class 30

### Volute

Cast Iron, Class 30

### Shaft

303 Series Stainless Steel

### Hardware

Stainless Steel

### Mechanical Shaft Seal

Unitized Silicon Carbide

### Bearings

Upper and lower, ball bearings

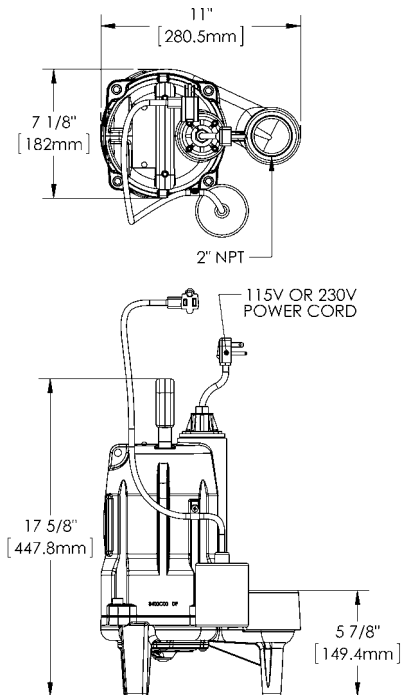
### Cutter and Cutter Plate

V-Slice® design. 440 Stainless  
Steel hardened to Rockwell 57c

### Switch (automatic models)

Mechanical wide angle float  
with series (piggyback) plug

### DIMENSIONAL DATA



MODELS	HP	VOLTS	PHASE	Hz.	AMPS	CORD LENGTH	DISCHARGE	AUTOMATIC	WEIGHT LBS.
PRG101A	1	115	1	60	12	10'	2"	Wide-Angle	58
PRG101AV	1	115	1	60	12	10'	2"	Vertical Float	58
PRG101M	1	115	1	60	12	10'	2"	No	57
PRG102A	1	230	1	60	6	10'	2"	Wide-Angle	58
PRG102M	1	230	1	60	6	10'	2"	No	57

For optional 25' power cords, add a "-2" suffix to model number. Example: PRG101A-2

Maximum Fluid Temperature: 140° F (60° C)

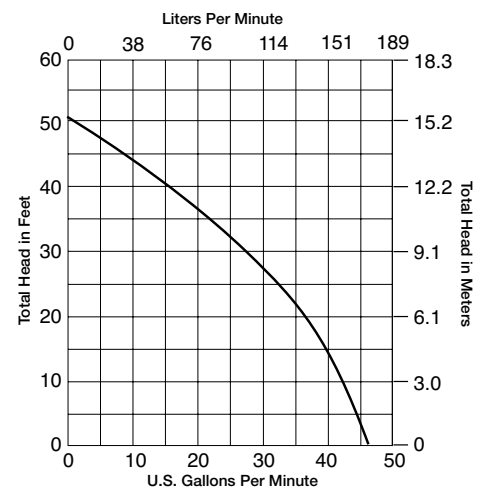


### V-Slice® Cutter Technology

Shreds difficult solids—such as feminine products, wipes, rags and other debris.

Patent: See  
[www.libertypumps.com/patents](http://www.libertypumps.com/patents)

### PERFORMANCE CURVE 60 Hz., 3400 RPM



Specifications subject to change without notice.

Liberty Pumps • 7000 Apple Tree Avenue • Bergen, New York 14416 • Phone 800-543-2550 Fax (585) 494-1839

[www.libertypumps.com](http://www.libertypumps.com)

Copyright © Liberty Pumps, Inc. 2017  
All rights reserved. LLIT6710-R07/17