

Liberty Pumps®

ProVore380-SD



**Side
Discharge**

**Simplex
Grinder
System**

Compact system features the ProVore® 1 hp grinder with patented V-Slice® cutter technology. Easily shreds difficult solids such as feminine products, wipes and rags

Features:

- 115 Volt grinder pump-operates on a standard 20 amp circuit
- Union disconnect for easy serviceability
 - 2" Discharge
 - 4" No-hub type inlet
- Heavy schedule 80 PVC discharge pipe
 - 2" Electrical conduit hub
- Shallow 24" basin for easier installation in difficult soil conditions
- 41 gallon capacity for longer pump cycles
 - Molded torque stops for pump security
 - Durable polyethylene basin
 - Anti-flotation collar
 - Heavy-duty polyethylene cover
 - Stainless steel cover bolts

innovate. evolve.

ProVore380-SD

Simplex Sewage Package

Side-Discharge

The ProVore380 side discharge series provides a professional sewage system for use in outdoor installations where the burial of electrical lines and piping is preferred. The shallow designed tank allows for easier installation without compromising overall tank capacity – a total of 41 gallons. This provides longer pump cycles that extend the life of the system. The ProVore® grinder pump features

Liberty's patented V-Slice® cutter technology. This proven design shreds problem materials such as rags, disposable wipes and other difficult solids with ease. Other professional features include molded torque stops for pump security, schedule 80 PVC discharge piping and a pre-installed union for easy pump removal.

MODELS	HP	VOLTS	PHASE	DISCHARGE Size	CORD LENGTH	ALARM	WEIGHT LBS.
P382PRG101SD-2	1	115	1	2"	25'	NO	84
P382PRG101SD-2/A2W	1	115	1	2"	25'	YES	97

For alarmed model "/A2W", float comes pre-mounted at the proper level in basin. Alarm panel is packaged with unit.

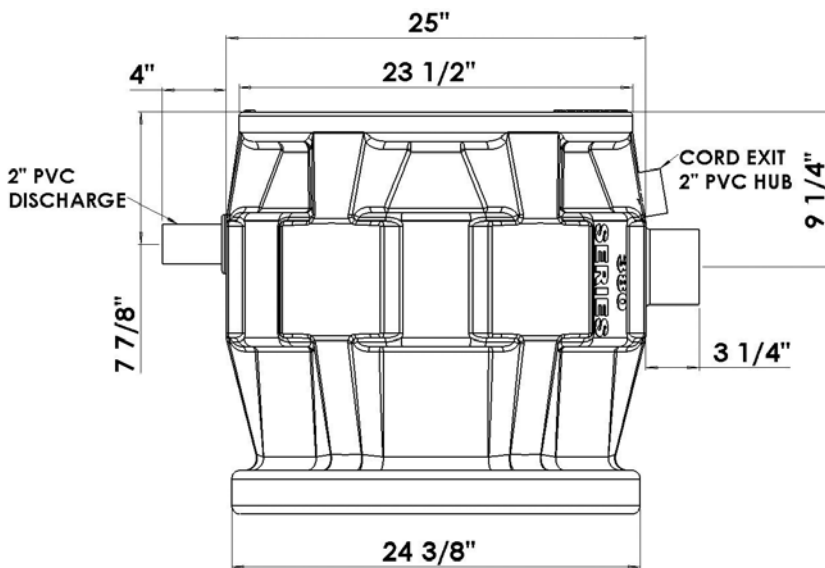
See PRG-Series literature for complete pump performance and specifications.
See ALM-2W literature for alarm specifications.

Consult factory for proper pump sizing.

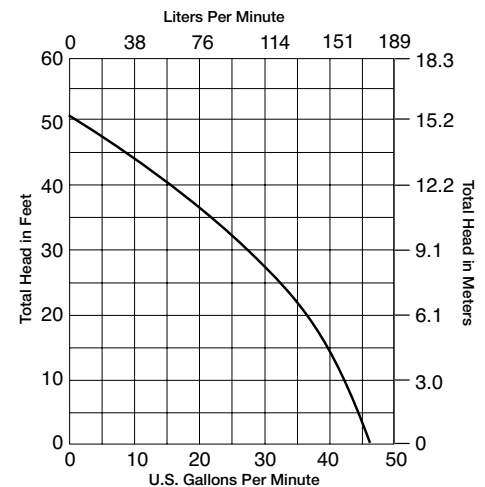


**ALM-2W
Outdoor
Alarm**

DIMENSIONAL DATA:



PERFORMANCE CURVE 60 Hz., 3400 RPM



Certified Pump

Specifications are subject to change without notice.

Liberty Pumps • 7000 Apple Tree Avenue • Bergen, New York 14416 • Phone 800-543-2550 Fax (585) 494-1839

www.libertypumps.com

Copyright © Liberty Pumps, Inc. 2017
All rights reserved. LLIT 6735 R08/17