

# Liberty Pumps®

## FL150-Series

1-1/2hp

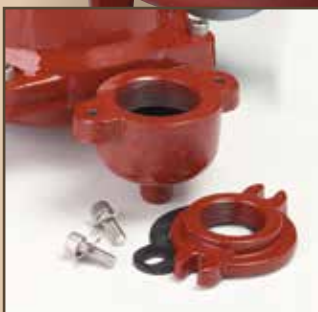
**Submersible  
Effluent  
Pumps**

1-1/2" or 2"  
**Discharge**

**Flange Mounted**

**Features:**

- 3/4" Solids-handling
- Heavy cast iron construction
- Semi-open cast iron impeller
  - Stainless steel rotor shaft
  - Dual shaft seals
- Single float, mercury free level control
- Additional mounting clamp provided for optional switch mounting to pipe
  - Fully adjustable pumping range
- 2" FNPT threaded discharge with 1-1/2" FNPT flange provided
- Quick-disconnect power cord - 25' length standard
  - Available in automatic and manual models



**Dual Sized  
Discharge**

1-1/2" or 2"

innovate. evolve.

# FL150-Series

## Technical Specifications

### External Construction:

Pump Volute – Gray iron casting class 25  
 Pump Legs – Gray iron casting class 25  
 Motor Cover – Gray iron casting class 25  
 All casting shall be powder coated for corrosion resistance prior to assembly.

### Motor:

Submersible 3450 RPM, oil filled and hermetically sealed. Class B insulation rating. FL150, 303 stainless steel rotor shaft. Thermally protected – single phase models. Three phase models shall have overloads incorporated into the control panel, properly sized for the horsepower and amperage of the pump.

### Impeller:

Semi-open design. Cast iron construction.

### Dual Shaft Seals:

FL150-Series feature upper unitized silicon carbide, lower Viton double lip.

### Fasteners:

All fasteners shall be 300-series stainless steel.

### Power Cord:

25' length standard. Quick-disconnect design allows easy field replacement. (35' and 50' available on 3-phase)

### Level Control:

The pump shall be controlled by a wide angle mechanical float sealed in a PVC housing. The float shall have a series plug for manual by-pass operation.

A water-stop seal shall be incorporated into the cord entry to eliminate potential water wicking into the switch.

An adjustable clamp is provided for optional pipe mounting of the float.

### Discharge:

2" FNPT with 1-1/2" FNPT cast iron flange provided.

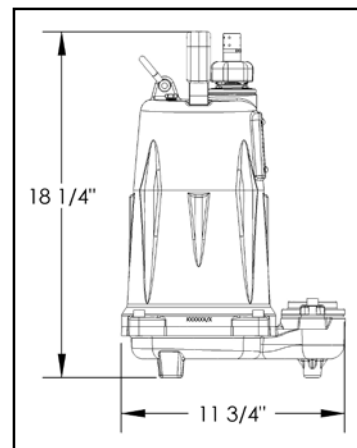
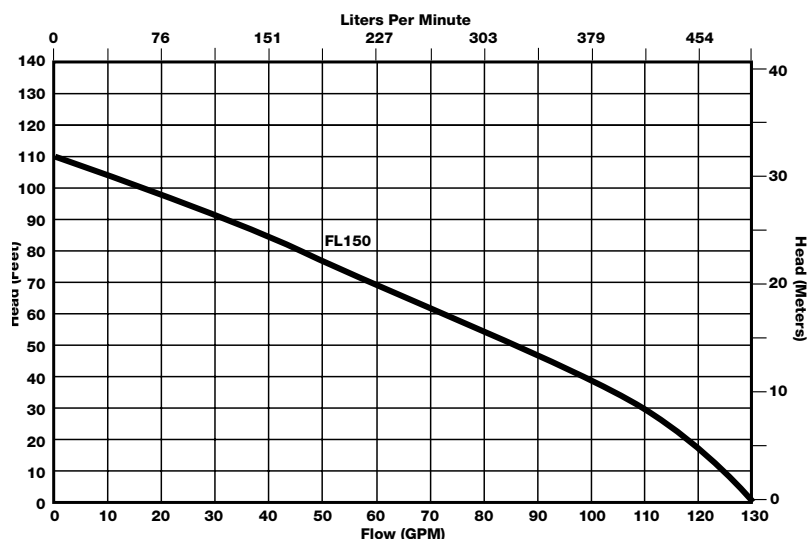
### Maximum Fluid Temperature:

104° F (40° C) Continuous Duty  
 140° F (60° C) Intermittent

Models	hp.	Volts	Phase	Amps	Discharge	Automatic	Cord Length	Wgt. Lbs.
FL152M-2	1-1/2	208-230	1	15	1-1/2" & 2"	No	25'	81
FL152A-2	1-1/2	208-230	1	15	1-1/2" & 2"	Yes	25'	82
FL153M-2	1-1/2	208/230	3	11.4	1-1/2" & 2"	No	25'	81
FL154M-2	1-1/2	440-480	3	5.7	1-1/2" & 2"	No	25'	81
FL155M-2	1-1/2	575	3	4.9	1-1/2" & 2"	No	25'	81

NOTE: 3-phase models require a control panel for automatic operation. See control panel literature for complete specifications on panels. 35' and 50' cord options available on 3-phase models. Add "-3" suffix or "-5" suffix to model number. Example: FL153M-3 for 35' cord, FL153M-5 for 50' cord.

### 60 hz Performance Curve FL150-Series



Specifications subject to change without notice.

Certified