

Job Name/Location:

Tag #:

Date:

| | | |
|------|----------|-------------|
| For: | File | Resubmit |
| | Approval | Other _____ |

PO No.:

Architect: _____ GC: _____

Engr: _____ Mech: _____

Rep: _____
(Company) (Project Manager)

LS090HXV2

Single Zone Mega 115V Wall Mount

Outdoor Unit (ODU) - LSU090HXV2, Indoor Unit (IDU) - LSN090HXV2

Performance:

Cooling:

| | |
|---|------------------------|
| Cooling Capacity (Min~Rated~Max) (Btu/h) | 3,070 ~ 9,000 ~ 10,330 |
| SEER | 20.00 |
| EER | 12.30 |

SEER - Seasonal Energy Efficiency Ratio EER - Energy Efficiency Ratio

Heating:

| | |
|--|-------------------------|
| Heating Capacity (Min~Rated~Max) (Btu/h) | 3,070 ~ 10,900 ~ 12,520 |
| Max. Heating @ Indoor 70°F DB Outdoor 19°F DB / 17°F WB | 8,760 (80%) |
| HSPF | 10.0 |

HSPF - Heating Seasonal Performance Factor
Cooling Nominal Test Conditions:
Indoor: 80°F DB / 67°F WB
Outdoor: 95°F DB / 75°F WB

Heating Nominal Test Conditions:
Indoor: 70°F DB / 60°F WB
Outdoor: 47°F DB / 43°F WB

Electrical:

| | |
|-----------------------|----------|
| Power Supply (V/Hz/Ø) | 115/60/1 |
|-----------------------|----------|

Outdoor Unit:

| | |
|------------------------|------|
| MOP (A) | 25 |
| MCA (A) | 15 |
| Cooling Rated Amps (A) | 11.4 |
| Heating Rated Amps (A) | 11.4 |
| Compressor (A) | 11.0 |
| Fan Motor (A) | 0.4 |

MOP - Maximum Overcurrent Protection MCA - Minimum Circuit Ampacity

Total Power Input:

| | |
|--------------------------|-------|
| Cooling Power Input (kW) | 0.732 |
| Heating Power Input (kW) | 0.875 |

Piping:

| | |
|--|------------|
| Liquid Line (in., O.D.) | Ø1/4 Flare |
| Vapor Line (in., O.D.) | Ø3/8 Flare |
| Additional Refrigerant (oz./ft.) | 0.22 |
| Min. / Max. Pipe Length (ft.) ² | 9.8 / 49.2 |
| Piping Length (no add'l refrig., ft.) | 24.6 |
| Max. Elevation (ft.) | 23 |

Controls Features:

- 24-Hour on/off timer
- Two-way (Up / Down) Auto Swing
- Auto Changeover
- Auto Restart
- Jet Cool / Jet Heat
- Condensate Sensor Connection
- Energy Saving
- Inverter (Variable Speed Compressor)
- Self-cleaning Indoor Coil
- Sleep Mode
- Ultra-quiet Operation

Included Accessories:

- Wireless Remote Controller — AKB74955602

Optional Accessories:

- MultiSITE™ CRC1 - PREMTBVCO
- MultiSITE CRC1+ - PREMTBVC1
- Dry Contact for Third Party Thermostat - PDRYCB300
- Dry Contact (one [1] contact, 24 VAC external power) - PDRYCB100
- Dry Contact for (two [2] setpoints) - PDRYCB400

For a complete list of available accessories, contact your LG representative.

For continual product development, LG reserves the right to change specifications without notice.

© LG Electronics U.S.A., Inc., Englewood Cliffs, NJ. All rights reserved. "LG Life's Good" is a registered trademark of LG Corp. /www.lghvac.com



Operating Range:

Outdoor Unit:

| | |
|-----------------|----------|
| Cooling (°F DB) | 14 ~ 118 |
| Heating (°F WB) | 14 ~ 65 |

Indoor Unit:

| | |
|-----------------|---------|
| Cooling (°F WB) | 53 ~ 75 |
| Heating (°F DB) | 60 ~ 86 |

System Data:

| | |
|---|-------------------|
| Refrigerant Type | R410A |
| Refrigerant Control | EEV |
| Refrigerant Charge (lbs.) | 1.875 |
| ODU Sound Pressure (Cooling / Heating) (±1 dB[A]) ³ | 50 / 50 |
| IDU Sound Pressure Cooling (H/M/L/Sleep) (±1 dB[A]) ³ | 42 / 36 / 28 / 21 |
| Heating (H/M/L) (±1 dB[A]) ³ | 42 / 36 / 28 |
| ODU Net / Shipping Weight (lbs.) | 58.4 / 60 |
| IDU Net / Shipping Weight (lbs.) | 19.2 / 22 |
| Heat Exchanger Coating | GoldFin™ |

Fan:

| | |
|--|---------------------------------------|
| ODU Type | Propeller |
| IDU Type | Cross Flow |
| Fan Speeds (Fan/Cool/Heat) | 6 / 6 / 6 |
| Quantity (ODU + IDU) | 1 + 1 |
| Motor/Drive | Brushless Digitally Controlled/Direct |
| ODU Max. Air Flow Rate (CFM) | 953 |
| IDU Air Flow Cooling, Max/H/M/L (CFM) | 459 / 353 / 264 / 148 |
| Heating, Max/H/M/L (CFM) | 459 / 353 / 254 / 198 |
| Dehumidification (pts./hr.) | 2.32 |

Notes:

1. Acceptable operating voltage: 98V-132V.
2. Piping lengths are equivalent.
3. Sound Pressure levels are tested in an anechoic chamber under ISO Standard 3745.
4. All communication / connection (power) cable from the outdoor unit to the indoor unit is field supplied and must be a minimum of four-conductor, 14 AWG, stranded, shielded or unshielded (if shielded, it must be grounded to the chassis of the outdoor unit only), and must comply with applicable local and national codes.
5. See Engineering Manual for sensible and latent capacities.
6. Power wiring cable size must comply with the applicable local and national code.
7. The indoor unit comes with a dry helium charge.
8. This data is rated 0 ft. above sea level, with 24.6 ft. of refrigerant line and a 0 ft. level difference between outdoor and indoor units.
9. Must follow installation instructions in the applicable LG installation manual.



Job Name/Location: _____

LS090HXV2

Single Zone Mega 115V Wall Mount

Outdoor Unit (ODU) - LSU090HXV2, Indoor Unit (IDU) - LSN090HXV2



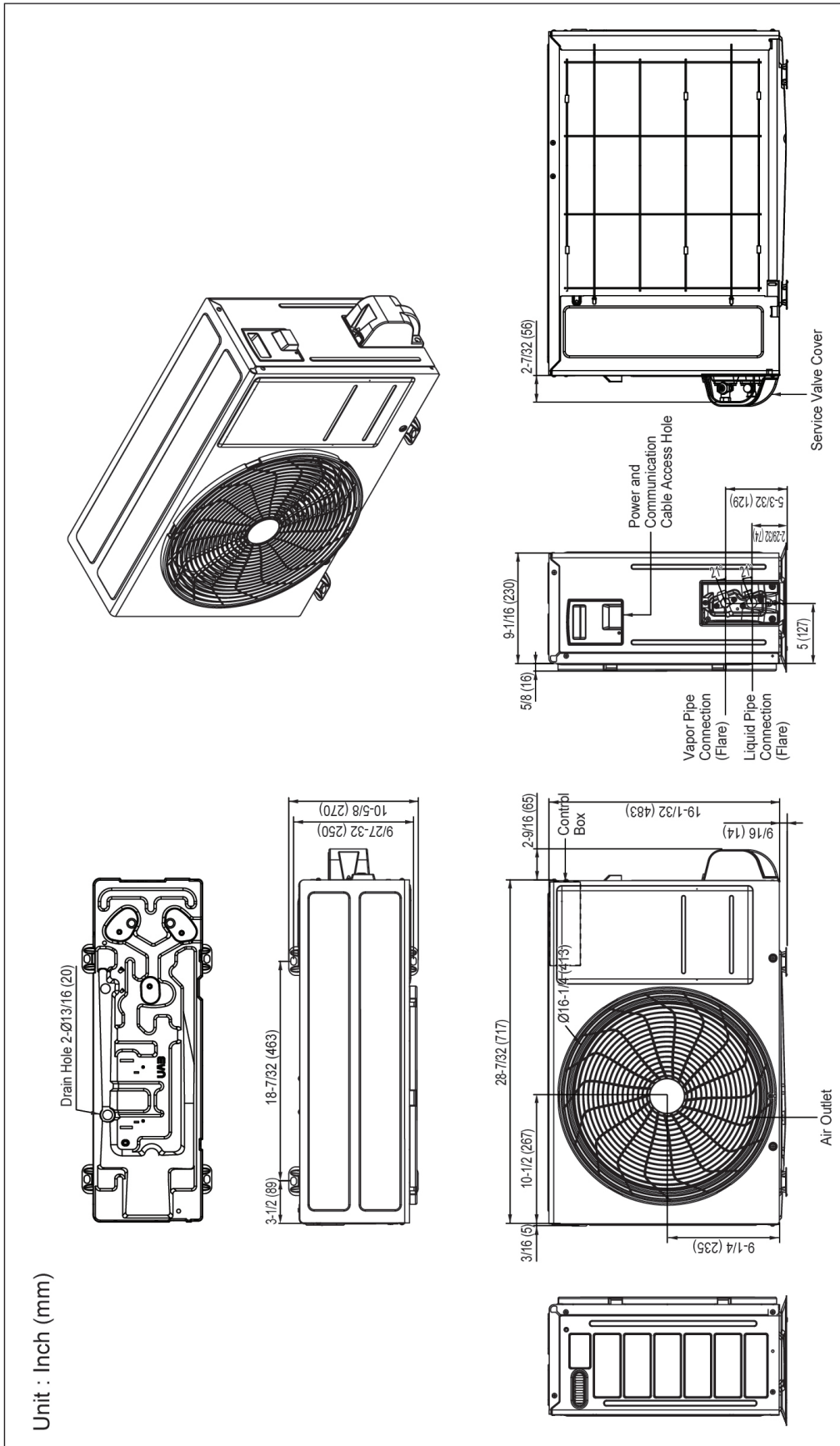
LG

Life's Good

Tag No.: _____

Date: _____

PO No.: _____



LS090HXV2

Single Zone Mega 115V Wall Mount

Outdoor Unit (ODU) - LSU090HXV2, Indoor Unit (IDU) - LSN090HXV2



Tag No.: _____

Date: _____

PO No.: _____

