

Date: _____ For: File Resubmit
 PO No.: _____ Approval Other _____
 Architect: _____ GC: _____
 Engr: _____ Mech: _____
 Rep: _____
 (Company) _____ (Project Manager) _____



LA180HYV1
 Art Cool™ Premier Single Zone Inverter
 Outdoor Unit (ODU) - LAU180HYV1 Indoor Unit (IDU) - LAN180HYV1

Performance:

Cooling:

Capacity (Min-Rated-Max, Btu/h)	3,070-18,200-29,515
SEER	24
EER	13.48

SEER - Seasonal Energy Efficiency Ratio EER - Energy Efficiency Ratio

Heating:

Capacity (Min-Rated-Max, Btu/h)	3,070-22,000-30,709
HSPF	12.5

HSPF - Heating Seasonal Performance Factor

Cooling Nominal Test Conditions: Indoor: 80°F DB/67°F WB Outdoor: 95°F DB/75°F WB
 Heating Nominal Test Conditions: Indoor: 70°F DB/60°F WB Outdoor: 47°F DB/43°F WB

Electrical:

Power Supply (V/Hz/Ø)	208-230/60/1
-----------------------	--------------

Outdoor Unit:

MOP (A)	25
MCA (A)	19
Cooling Rated Amps (A)	15.3
Heating Rated Amps (A)	15.3
Compressor (A)	14.5
Fan Motor (A)	0.5

MOP - Maximum Overcurrent Protection MCA - Minimum Circuit Ampacity

Total Power Input:

Cooling Power Input (kW)	1.35
Heating Power Input (kW)	1.69

Piping:

Liquid Line (in, OD)	3/8
Vapor Line (in, OD)	5/8
Additional Refrigerant (oz/ft)	0.38
Min/Max Pipe Length (ft) ² :	9.8/98.4
Piping Length (no add'l refrigerant, ft)	24.6
Max Elevation (ft)	65.6

Controls Features:

- 24-Hour on/off timer
- 4-Way auto swing
- Auto changeover
- Auto restart
- Built-in low ambient operation to 14°F
- Chaos wind
- Condensate sensor connection
- Defrost control
- Dehumidifying mode
- Hot start
- Jet cool/Jet heat
- Self cleaning indoor coil
- Self diagnosis
- Sleep mode
- Soft dry operation
- Ultra quiet operation
- Cooling only switch
- 3M Micro Protection Filter
- Smart AC module

Optional Accessories (sold separately):

- PI-485 - PMNFP14A1
- LG Programmable Thermostat - PREMTB10U
- Dry Contact for third party thermostat - PDRYCB300
- Low Ambient Wind Baffle (Cooling operation to 0°F) - ZLABGP02A

For a complete list of available accessories, contact your LG representative.
 For continual product development, LG reserves the right to change specifications without notice.
 © LG Electronics U.S.A., Inc., Englewood Cliffs, NJ. All rights reserved. "LG Life's Good" is a registered trademark of LG Corp. /www.lghvac.com

Operating Range:

Outdoor Unit:

Cooling (°F DB)	14-118
Heating (°F WB)	-13-65

Indoor Unit:

Cooling (°F WB)	53-75
Heating (°F DB)	60-86

Unit Data:

Refrigerant Type	R410A
Refrigerant Control	EEV
Refrigerant Charge (lbs)	4.19
ODU Sound Pressure (Max) ±3 dB(A) ³	57
IDU Sound Pressure (H/M/L/Sleep) ±3 dB(A) ³	47/42/37/29
ODU Net Unit Weight (lbs)	122
ODU Shipping Weight (lbs)	131
IDU Net Unit Weight (lbs)	34
IDU Shipping Weight (lbs)	38
Heat Exchanger Coating	GoldFin™

Fan:

ODU Type	Propeller
IDU Type	Cross Flow
Fan Speeds (Fan/Cooling/Heating)	6/6/6
Quantity (ODU + IDU)	1 + 1
Motor/Drive	Brushless Digitally Controlled/Direct
ODU Max Air Flow Rate (CFM)	2119
IDU Air Flow H/M/L (CFM)	565.0/423.7/317.8
Dehumidification (pts/hr)	3.8

Notes:

1. Acceptable operating voltage: 187V - 253V.
2. Piping lengths are equivalent.
3. Sound Pressure levels are tested in an anechoic chamber under ISO Standard 1996.
4. All power/communication cable to be minimum 18 AWG, 4-conductor, stranded, shielded and must comply with applicable local and national code.
5. See Engineering Manual for sensible and latent capacities.
6. Power wiring cable size must comply with the applicable local and national code.
7. The indoor unit comes with a dry helium charge.
8. This data is rated 0 ft above sea level, with 24.6 ft of refrigerant line and a 0 ft level difference between outdoor and indoor units.
9. Must follow installation instructions in the applicable LG installation manual.



Job Name/Location:

Outdoor Unit (ODU) - LAU180HYV1

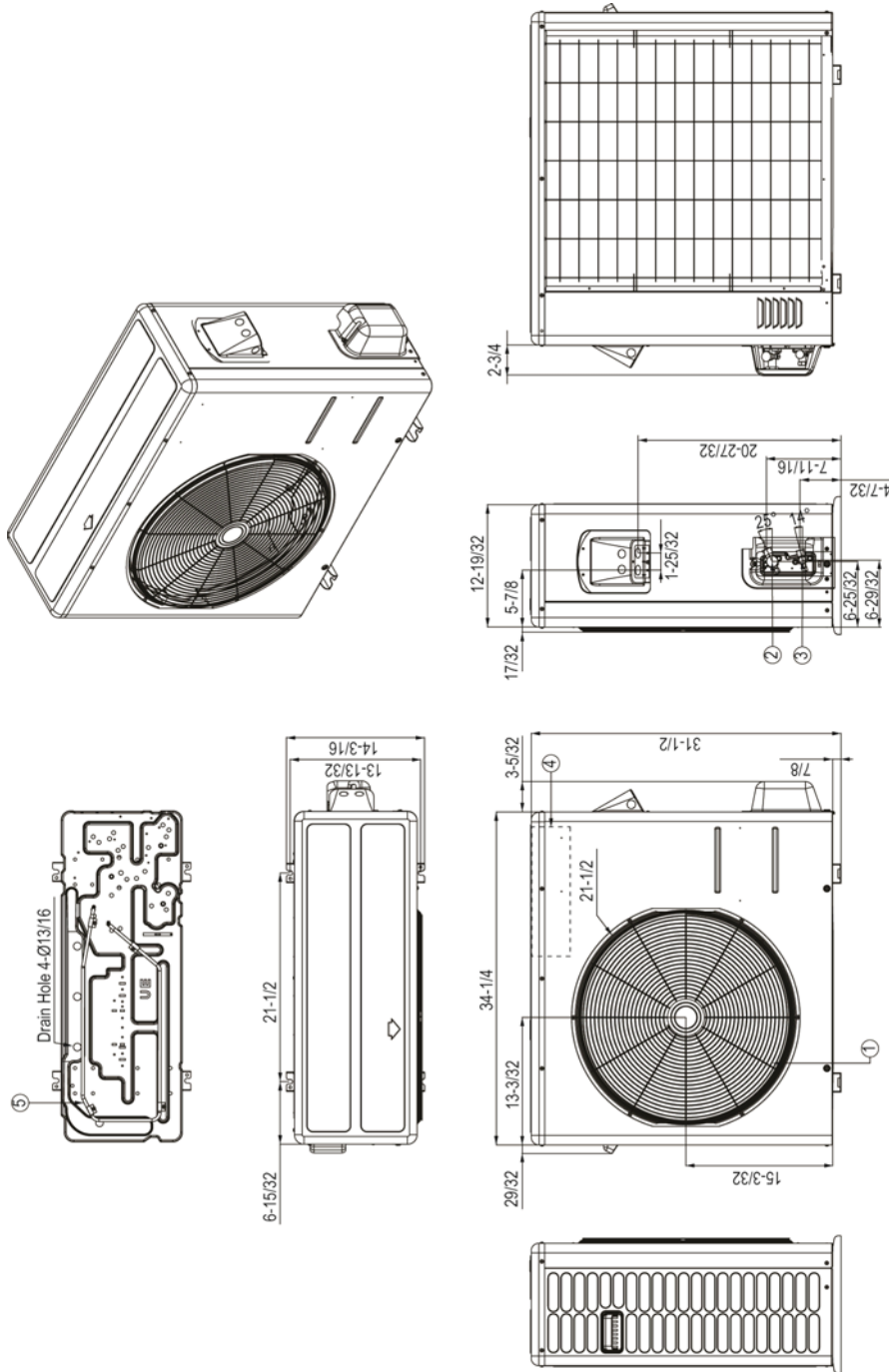
Art Cool™ Premier Single Zone Inverter



Tag #:

Date:

PO No.:



No	Part Name	Remark
1	Air Discharge Grille	
2	Gas Pipe Connection Port	
3	Liquid Pipe Connection Port	
4	Control Box	
5	Sheath Heater	

Unit: inch

