

SEISMIC MOUNTING NOTE:

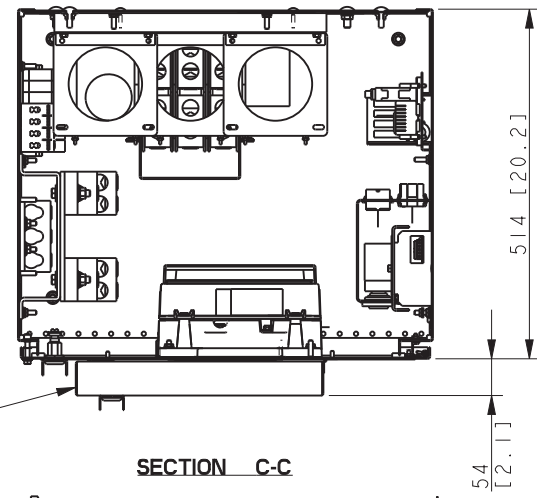
FOR SEISMIC CERTIFIED UNITS,
MOUNT WITH THE FOLLOWING HARDWARE:

WALL MOUNTED (STEEL)

Ø9.53 [0.375] Dia. SAE GRADE 1/ ASTM A307 BOLTS.

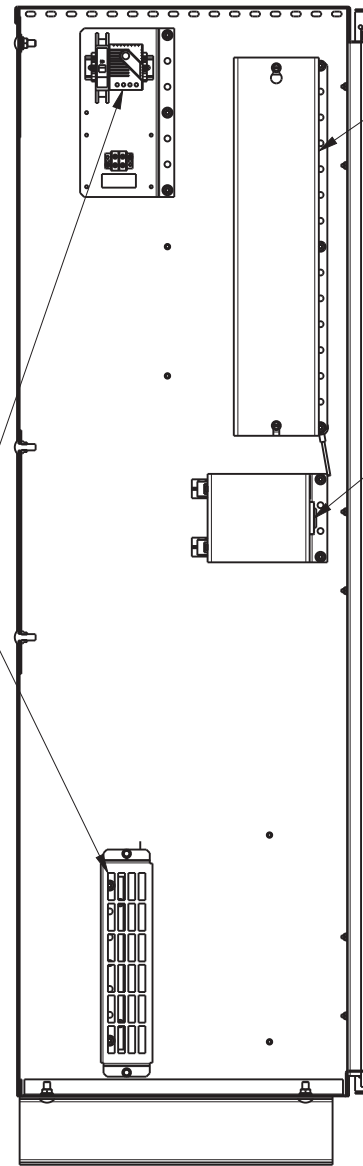
WALL MOUNTED (CONCRETE)

Ø9.53 [0.375] Dia. HILTI KWIK BOLT TZ-CS WITH MIN. EMBEDMENT 50.8 [2.00]; EDGE DISTANCE OF 101.6 [4.00] ON A 101.6 [4.00] THICK 4000 PSI CONCRETE WALL. HARDWARE TO COMPLY WITH SPECIFICATIONS ON ADV-7456.



SECURITY COVER
(OPTIONAL ON NEMA 1,
REQUIRED ON NEMA 3R)

SECTION C-C



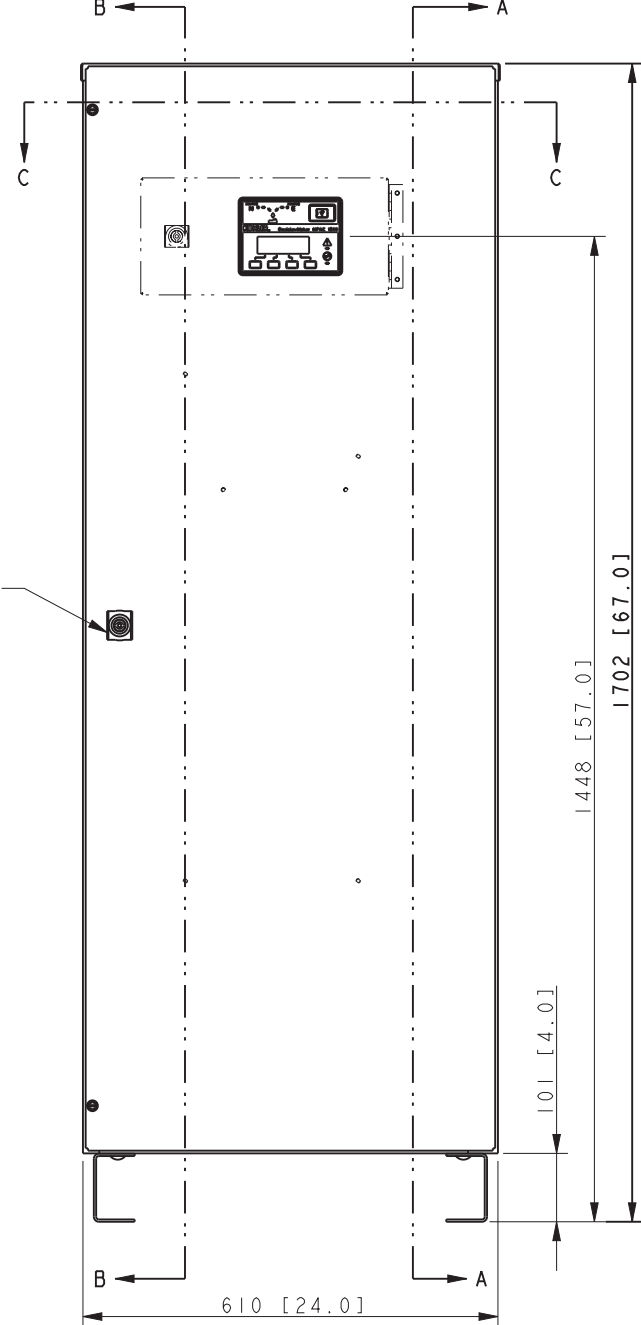
SECTION A-A

ACCESSORY MODULE
(OPTIONAL
MPAC 1200
ONLY)

LOGIC DISCONNECT
(OPTIONAL)

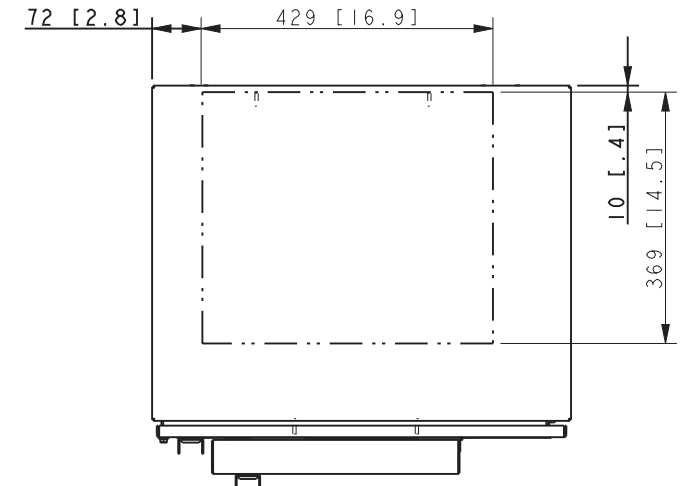
PADLOCK HASP
(WITH SECURITY
OPTION & NEMA 3R
ONLY)

HEATER
(OPTIONAL
MPAC 1200
ONLY)

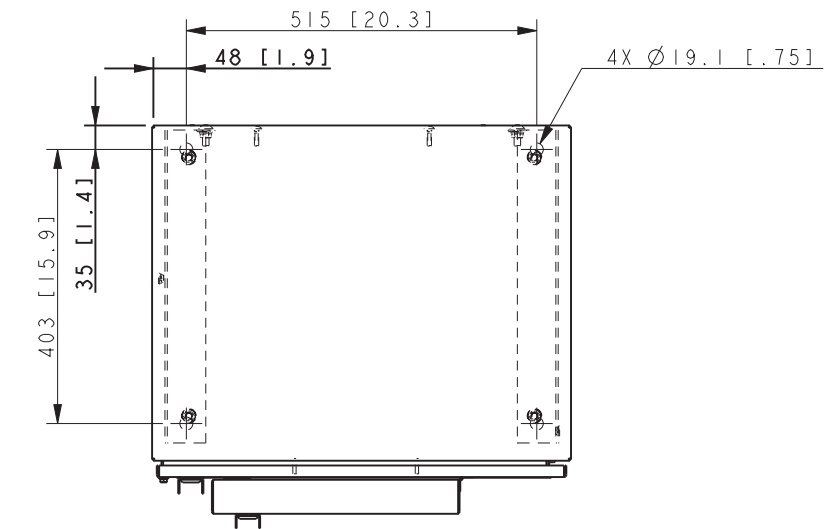


SECTION B-B

SURGE PROTECTION
(OPTIONAL
MPAC 1200
ONLY)



RECOMMENDED ENTRANCE AREA
TOP & BOTTOM



TOP VIEW
MOUNTING HOLES
SHOWN

NOTES:
DIMENSIONS IN [] ARE INCHES.

FINISH: ANSI 49 GRAY.

REFER TO OPERATOR'S MANUAL PRIOR TO
INSTALLATION & OPERATION OF UNIT.

FOR SEISMIC CERTIFIED UNITS, REFER TO
ADV-7456 AND INSTALLATION INSTRUCTIONS.

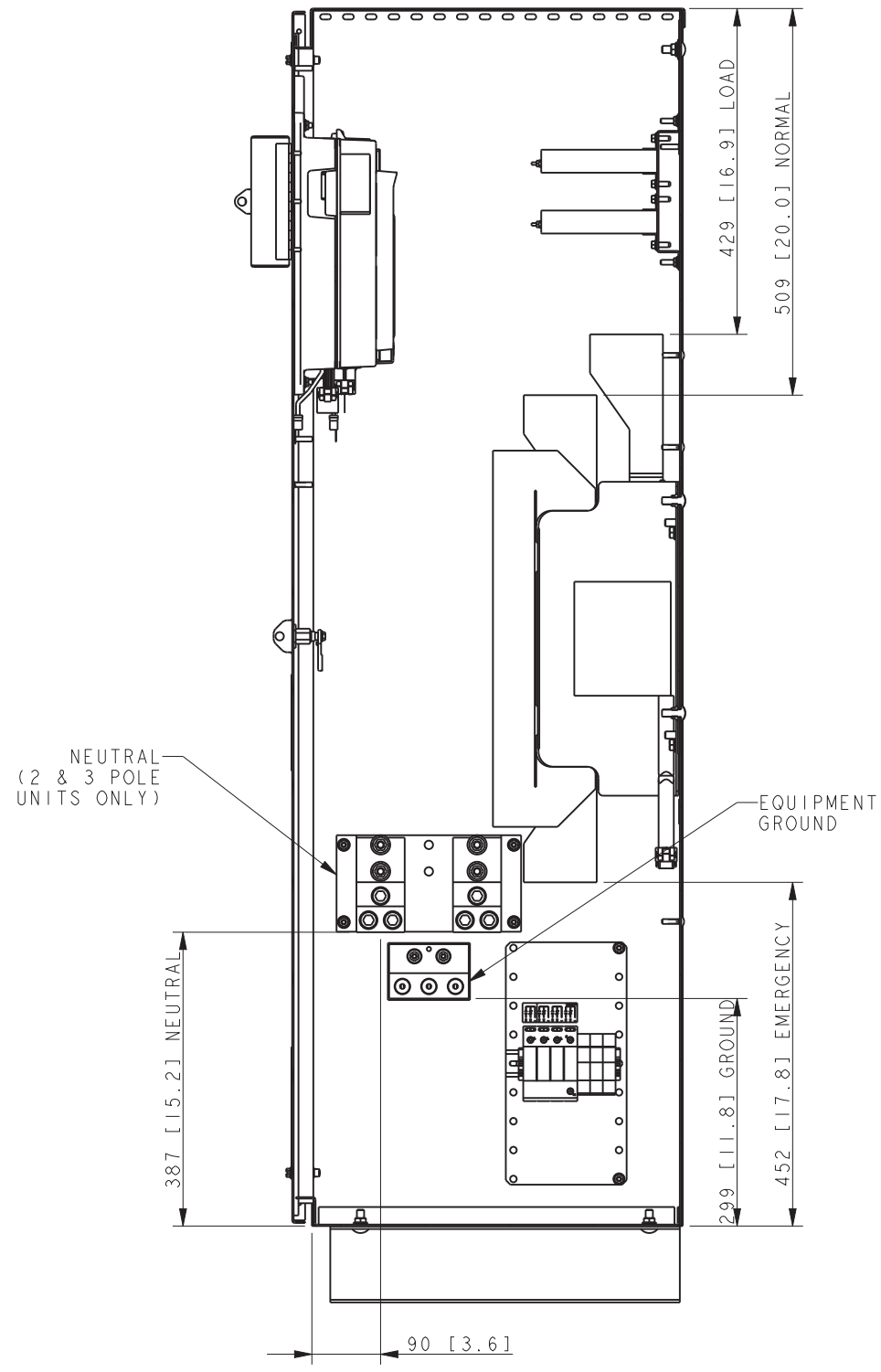
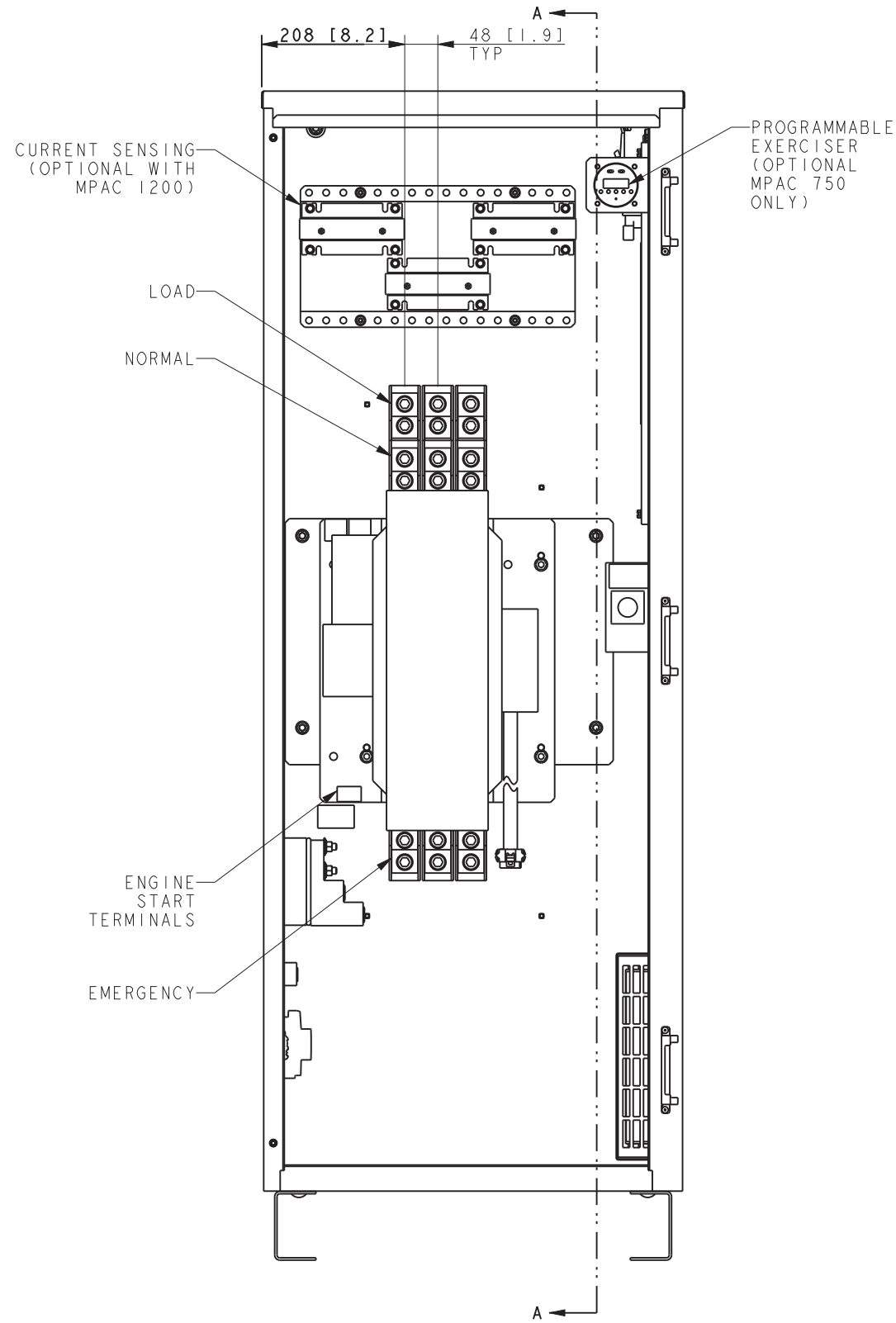
NOTE:
ALLOW FOR MINIMUM DOOR SWING CLEARANCE
OF 610 [24.0] IN FRONT OF CABINET.

SEE ADV-8565 FOR FULL MODEL CODE DEFINITION

STYLE	MECHANISM	TRANSITION	MPAC LOGIC	VOLTS	POLES	NEUTRAL	ENCLOSURE	AMPS	CONNECTION
KSS	SPECIFIC	STANDARD	750, 1200	208-600	2, 3, 4	SOLID, SW	1, 3R	600	STANDARD

REV	DATE	REVISION	BY
-	8-22-13	NEW DRAWING [CT54441]	BTW
A	4-22-14	(A-5) VOLTS: 208-600 WAS 208-480; [CT78618]	BTW

UNLESS OTHERWISE SPECIFIED - 1) DIMENSIONS ARE IN MILLIMETERS 2) TOLERANCES ARE: X.XX X.X ANGLES		SURFACE FINISH MAX.	
THIRD ANGLE PROJECTION		APPROVALS DATE	
DRAWN BTW 8-22-13		CHECKED BTW 8-22-13	
APPROVED MTL 8-22-13		SCALE .18 CAD NO. SHEET 1 of 2	
TITLE DIMENSION PRINT		DWG NO. ADV-8590	



SCREW TYPE TERMINALS FOR EXTERNAL POWER CONNECTION			
SWITCH RATING (AMPS)	RANGE OF AL-CU WIRE SIZES		
	CONTACTOR (PER PHASE)	NEUTRAL (2 & 3 POLE)	GROUND
600	(2) #2 TO 600 KCMIL	(6) #2 TO 600 KCMIL	(3) #4-600 KCMIL OR (6) 1/0-250 KCMIL

WEIGHTS KG (LBS)	
2 POLE	3 & 4 POLE
179 (395)	183 (403)

REV	DATE	REVISION	BY
-	8-20-13	NEW DRAWING [CT54441]	BTW
A	4-22-14	SEE SHEET 1 [CT78618]	BTW

APPROVALS	DATE
DRAWN BTW	8-20-13
CHECKED BTW	8-20-13
APPROVED MTL	8-20-13

KOHLER CO. METRIC PRO-E
 POWER SYSTEMS, KOHLER, WI 53044 U.S.A.
 THIS DRAWING IN DESIGN AND DETAIL IS KOHLER CO. PROPERTY AND MUST NOT BE USED EXCEPT IN CONNECTION WITH KOHLER CO. WORK. ALL RIGHTS OF DESIGN OR INVENTION ARE RESERVED.

TITLE: **DIMENSION PRINT**

SCALE: .22 CAD NO. SHEET 2 of 2
 DWG NO. **ADV-8590**