

ISO 9001
KOHLER
NATIONALLY REGISTERED



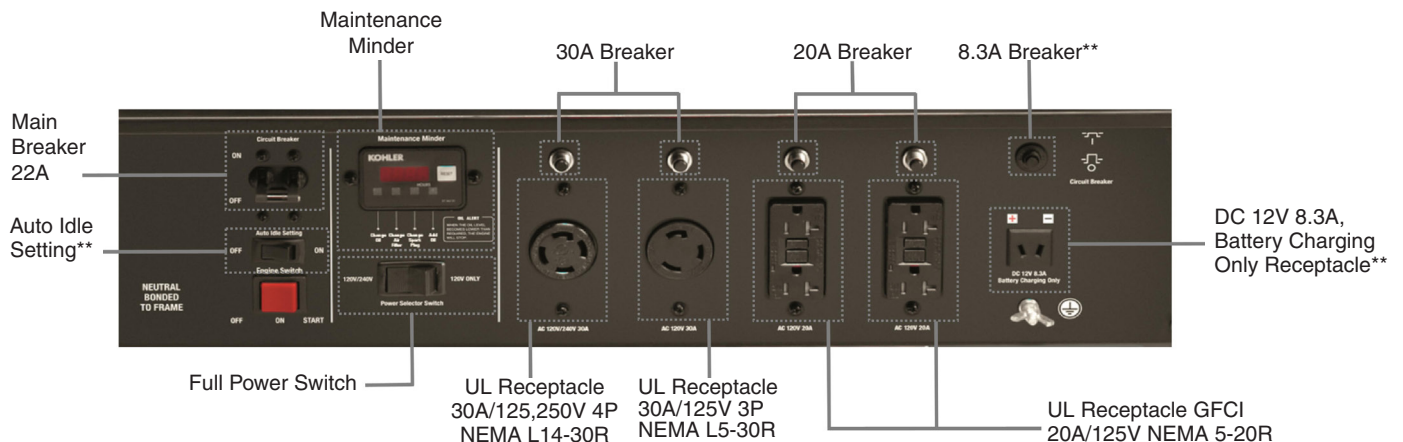
The KOHLER Advantage

- **Built to Last Since 1920**
For over 90 years, hospitals, airports and military bases around the world have depended on KOHLER generators.
- **Premium Warranty**
You get our premium 3-year limited warranty backed by a network of more than 10,000 dealers.
- **Free Loaner Program***
If your KOHLER generator ever goes down, just swing by one of our select dealers. We'll provide a free loaner unit for warranty repairs exceeding 24 hours.

Standard Features

- **Pro-Grade Engine**
This portable generator is powered by a KOHLER Command PRO[®] engine, designed and proven professional grade power.
- **Easy Refills**
Accu-Fill[™] feature provides safe, easy refilling – and less spilling – with angled fuel inlet.
- **Extra Engine Protection**
Oil Sentry[™] automatically shuts engine down in low-oil conditions.
- **Easy Reminders**
Maintenance Minder displays hours of run time and lights up to remind you of oil/spark plug/filter changes.
- **GFCI Outlets**
Ground-fault circuit interrupter detects unbalanced electrical current and safely shuts down power.
- **Safeguards Your Investment**
Automatic voltage regulator keeps voltage consistent to avoid surges or other damage.
- **Fuel Saver****
Auto-idle feature automatically set the engine to idle to save fuel.
- **Tri Fuel Capable**
Tri Fuel Conversion Kit gives the customers fuel flexibility and convenience with Kohler portable generators.
- **Included U-Spec[™] Accessories**
Wheel Kit, Leg Kit and Wheelbarrow Handle Kit

Control Panel



* At participating dealers, based on availability.
** Featured only in model PRO6.4E

Specifications

| Model Name | PRO6.4 | PRO6.4E |
|---|---|-----------------------------------|
| Model spec | PA-PRO64-2002 PA-PRO64-3002 | PA-PRO64E-2002 PA-PRO64E-3002 |
| Compliance | EPA 49-State (2002 Spec only) EPA/CARB 50-State (3002 Spec only) CSA/OSHA (All specs) | |
| AC rated output (running watts) | 5,200 | |
| AC maximum output (motor starting watts) | 6,400 | |
| AC voltage | 120/240 | |
| AC frequency (Hz) | 57-63 | |
| Total Harmonic Distortion | ≤ 6% | |
| Rated VAC amperage | 21.7/43.3 | |
| Max rated amperage | 26.7/53.3 | |
| Engine displacement | 277cc | |
| Fuel type | Unleaded Gasoline up to E10 | |
| Engine RPM | 3600 | |
| Recommended oil | SAE30 | |
| Automatic voltage regulation | Yes | |
| Choke location | Manual on engine | |
| Fuel shut off | Manual valve at tank | |
| Starting method | Recoil only | Recoil and Electric |
| Low oil shutdown method | Low level | |
| Neutral | Neutral Bonded to Frame | |
| Start switch type | Toggle Type Off-On Toggle (Red) | Toggle Type Off-On-Start (Red) |
| Switch location | On control panel | |
| Fuel gauge | Yes | |
| Fuel tank capacity | 8 gal/30 liters | |
| Run time @ 50% (hours) | >15 | |
| Battery Type | Sealed AGM | |
| Warranty - Residential | 3 years | |
| Warranty - Commercial | 3 years | |

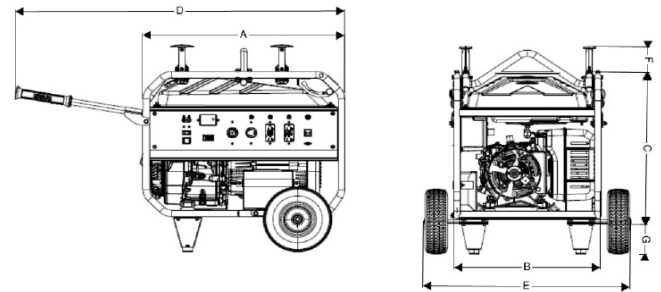
* Dimensions and weights associated with -3002 models

Additional available U-Spec™ Accessory System Options

- Auto-Locking Hand Truck Handle Kit
- Lifting Kit
- Extension Cord Management Kit
- Isolator Kit
- 12 Volt Battery Charger Cable
- Manual Transfer Switch
- Tri-Fuel Regulator Kits
- Tri-Fuel Hose Kits

Generator Set Dimensions and Weights

| | | | |
|-----------------------|------------|---------------------------|------------|
| A mm (in.): | 747 (29.4) | Carton Length mm (in.): | 777 (30.6) |
| B mm (in.): | 544 (21.4) | Carton Length mm (in.):* | 778 (31) |
| C mm (in.): | 566 (22.3) | Carton Width mm (in.): | 572 (22.5) |
| D mm (in.): | 1219 (48) | Carton Height mm (in.): | 599 (23.6) |
| E mm (in.): | 762 (30) | Shipping Weight lbs (kg): | |
| F mm (in.): | 114 (4.5) | PRO6.4: | 178 (81) |
| G mm (in.): | 140 (5.5) | PRO6.4*: | 196 (89) |
| Unit Weight lbs (kg): | | PRO6.4E: | 201 (91) |
| PRO6.4 : | 174 (79) | PRO6.4E*: | 218 (99) |
| PRO6.4E: | 198 (90) | | |



NOTE: Dimensions are provided for reference only and should not be used for planning installation. Contact your local distributor for more detailed information.

Availability is subject to change without notice. The generator set manufacturer reserves the right to change the design or specifications without notice and without any obligation or liability whatsoever

DISTRIBUTED BY:



© 2017 Kohler Co. All rights reserved.