

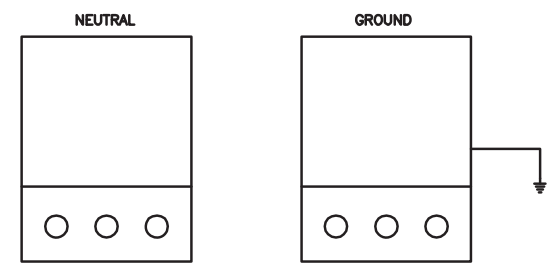
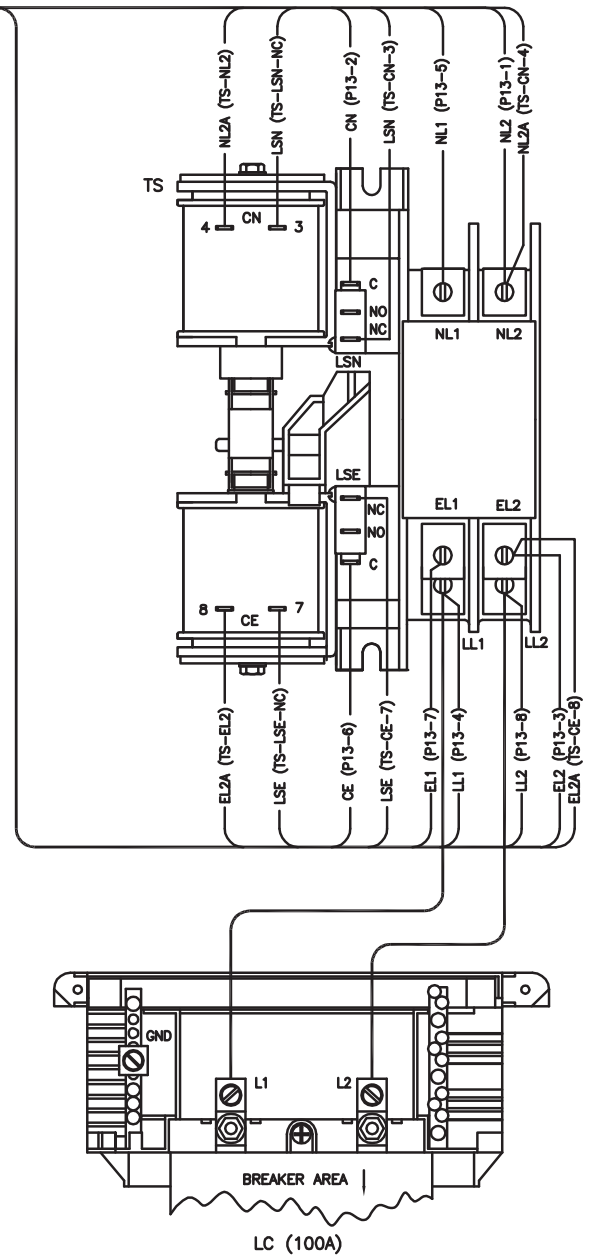
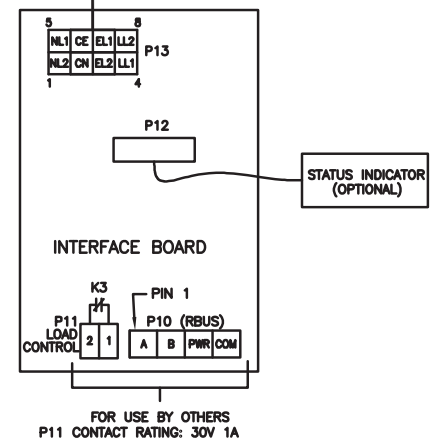
REV	DATE	REVISION	BY	APP
-	2-28-11	NEW DRAWING [90714-3]	CRS	

**LEGEND**

CE - TRANSFER COIL (EMERGENCY)  
 CN - TRANSFER COIL (NORMAL)  
 LC - LOAD CENTER  
 LSN - POSITION SENSE SWITCH (NORMAL)  
 LSE - POSITION SENSE SWITCH (EMERGENCY)  
 P(#)- CONNECTOR  
 TS - TRANSFER SWITCH/CONTACTOR

**P13 CONNECTIONS**

PIN #1 NL2 (TS-NL2)  
 2 CN (TS-LSN-C)  
 3 EL2 (TS-EL2)  
 4 LL1 (TS-LL1)  
 5 NL1 (TS-NL1)  
 6 CE (TS-LSE-C)  
 7 EL1 (TS-EL1)  
 8 LL2 (TS-LL2)



MODEL RXT  
 STANDARD TRANSITION  
 100A ATS W/LOAD CENTER  
 FOR SCHEMATIC SEE GM80676

<small>UNLESS OTHERWISE SPECIFIED:          1) DIMENSIONS ARE IN INCHES          2) TOLERANCES ARE:          .000 ± .000 FRACTIONS ± .000 DECIMALS ± .000          .000 ± .000 FRACTIONS ± .000 DECIMALS ± .000          .000 ± .000 FRACTIONS ± .000 DECIMALS ± .000</small>		<b>KOHLER CO.</b> <small>POWER SYSTEMS, STURIS, OH 44224 U.S.A.          THIS DRAWING IS DESIGN AND BEING A KOHLER CO. PROPERTY AND          MUST NOT BE REPRODUCED OR COPIED WITHOUT KOHLER CO. WRITING.          ALL RIGHTS OF DESIGN OR INVENTION ARE RESERVED.</small>	
<b>DIAGRAM, WIRING</b>		<b>GM80675</b>	
APPROVALS DESIGNED: CRS DRAWN: MTL CHECKED: MTL	DATE 6-15-11 6-15-11 6-15-11	SCALE 1:1	SHEET NO. 1-1