

Typical Installation

## Applicable Models

- 14RESA
- 14RCA
- 14RESAL
- 14RCAL
- 20RESA
- 20RESAL
- 20RESB
- 20RESC
- 20RESCL
- 20RESD
- 20RCA
- 20RCAL

## Description

The breather tube and oil heater kit is recommended for improved cold starting in locations where the ambient temperature drops below 0°C (32°F).

The breather tube heater wraps around the crankcase breather tube below the air cleaner. The oil heater is inserted into the oil drain port and includes a port for the oil drain valve. The oil heater power cord connects to the breather tube heater.

Breather tube and oil heater kits are available in 120-volt versions. Kits include a 3-way extension cord to allow connection of multiple AC accessories.

**Note:** The heaters require a continuous source of AC power that is backed up by the generator set.

## Oil Heater Specifications

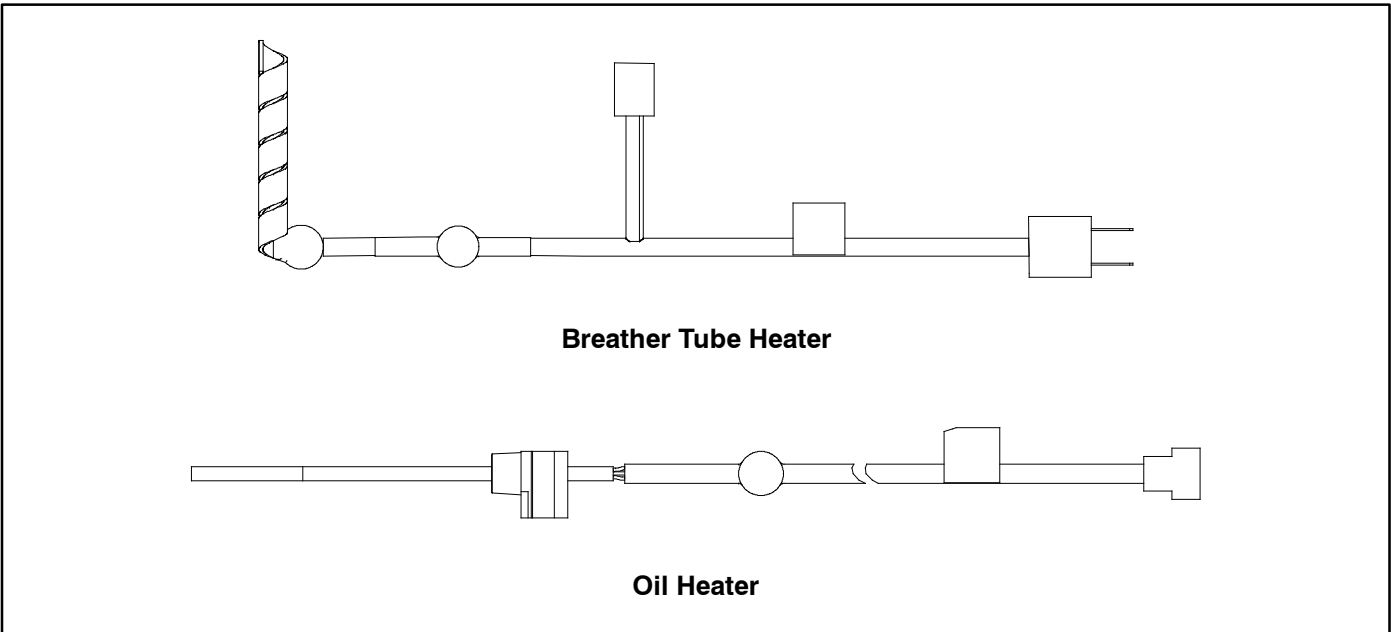
<b>Kit Number</b>	<b>GM110949-KP1-QS GM110949-KP2-QS</b>
Voltage	120 VAC
Watts	75 W
Thermostat ON	4°C (40°F)
Thermostat OFF	13°C (55°F)

## Breather Tube Heater Specifications

<b>Kit Number</b>	<b>GM110949-KP1-QS</b>	<b>GM110949-KP2-QS</b>
Voltage	120 VAC	120 VAC
Watts	5 W	10.4 W
Thermostat ON	4°C (40°F)	4°C (40°F)
Thermostat OFF	13°C (55°F)	13°C (55°F)

## Generator Models and Kits

<b>Kit Number</b>	<b>Generator Models</b>
GM110949-KP1-QS	14RESA/RESAL/RCA/RCAL
GM110949-KP2-QS	20RESA/AL/B/C/CL/D/RCA/RCAL



**DISTRIBUTED BY:**

Availability is subject to change without notice. Kohler Co. reserves the right to change the design or specifications without notice and without any obligation or liability whatsoever. Contact your local Kohler® generator distributor for availability.

© 2016 Kohler Co. All rights reserved.