

Take Control.  
**ION**  
*Technologies*



# WC33i

## Sump Pump

- Basement Sump
- Septic Tank Effluent
- Dewatering



37 Forestwood Dr., Romeoville, IL 60446 [www.ionproducts.net](http://www.ionproducts.net) [815] 886-9200

Patent No. 8,591,198

# WC33i

Sump Pump

## System Specifications

- Typical Applications
- Basement sump
  - Dewatering
  - Septic tank effluent

Maximum Capacity Up to 45 GPM

Maximum Head Up to 24'

Electrical Data 115 V, 1  $\emptyset$ , 4 FLA, 60 Hz

Motor Data  $\frac{1}{3}$  HP, 3450 RPM

Recommended Minimum Basin Size 18" x 24"

Automatic Operation i: Ion Digital Level Control (standard)  
V: Vertical

Manual Operation M: Manual

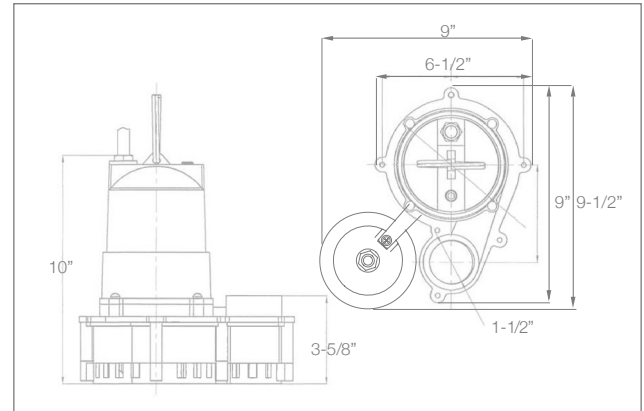
Materials of Construction Cast iron & engineered thermoplastic

Power Cord 10' Standard

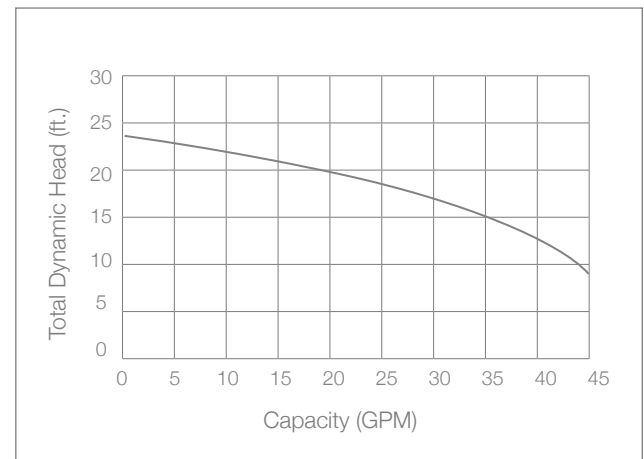
Discharge 1 $\frac{1}{2}$ " NPT

Solids  $\frac{1}{2}$ "

## Pump Dimensions



## Pump Performance



## Features

- Carbon ceramic mechanical seal
- Oil-filled high efficiency PSC motor that uses half the AC power of most  $\frac{1}{3}$  HP pumps
- Piggyback Ion<sup>®</sup> digital level control switch has no moving parts (standard)
- Size allows 2 pumps in 18" basin
- 3 year warranty