

Take Control.  
**ION**  
*Technologies*

A division of Metropolitan Industries, Inc.



# BA50i

## Sump Pump

- Basement Sump
- Dewatering

**3 YEAR**  
RESIDENTIAL  
WARRANTY



37 Forestwood Dr., Romeoville, IL 60446  
[www.ionproducts.net](http://www.ionproducts.net) [815] 886-9200

Patent No. 8,591,198

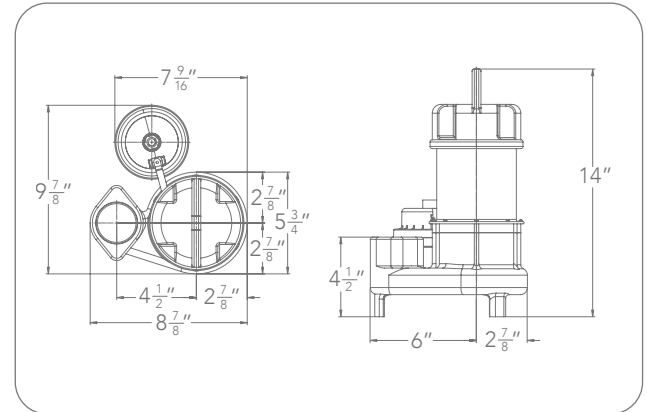
# BA50i

## Sump Pump

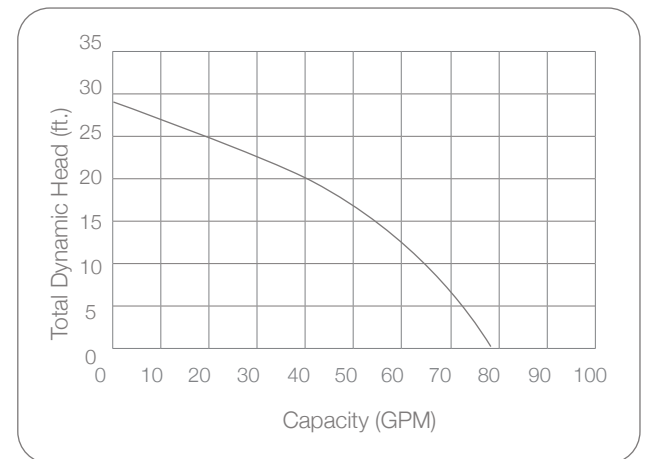
### System Specifications

Typical Applications	<ul style="list-style-type: none"> <li>• Basement sump</li> <li>• Dewatering</li> </ul>
Maximum Capacity	Up to 78 GPM
Maximum Head	Up to 29'
Electrical Data	115 V, 1 Ø, 5.8 FLA, 60 Hz
Motor Data	½ HP, 3450 RPM
Recommended Minimum Basin Size	18" x 24"
Automatic Operation	i: Ion Digital Level Control (standard) SPI: Vertical float
Manual Operation	M: Manual
Materials of Construction	Cast iron & stainless steel
Impeller	Cast iron vortex
Power Cord	10' Standard (20' optional)
Discharge Size	2" NPT
Solids Handling	½"

### Pump Dimensions



### Pump Performance



### Features

- Energy efficient motor
- Carbon ceramic mechanical seal
- Thermal overload protection
- Ion® digital level control piggyback switch has no moving parts (standard)
- Stainless steel screen prevents debris from entering the pump
- 3 year residential warranty