

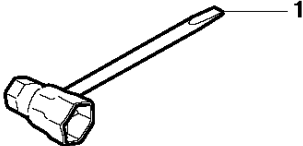


SPARE PARTS LIST

CHAIN SAWS

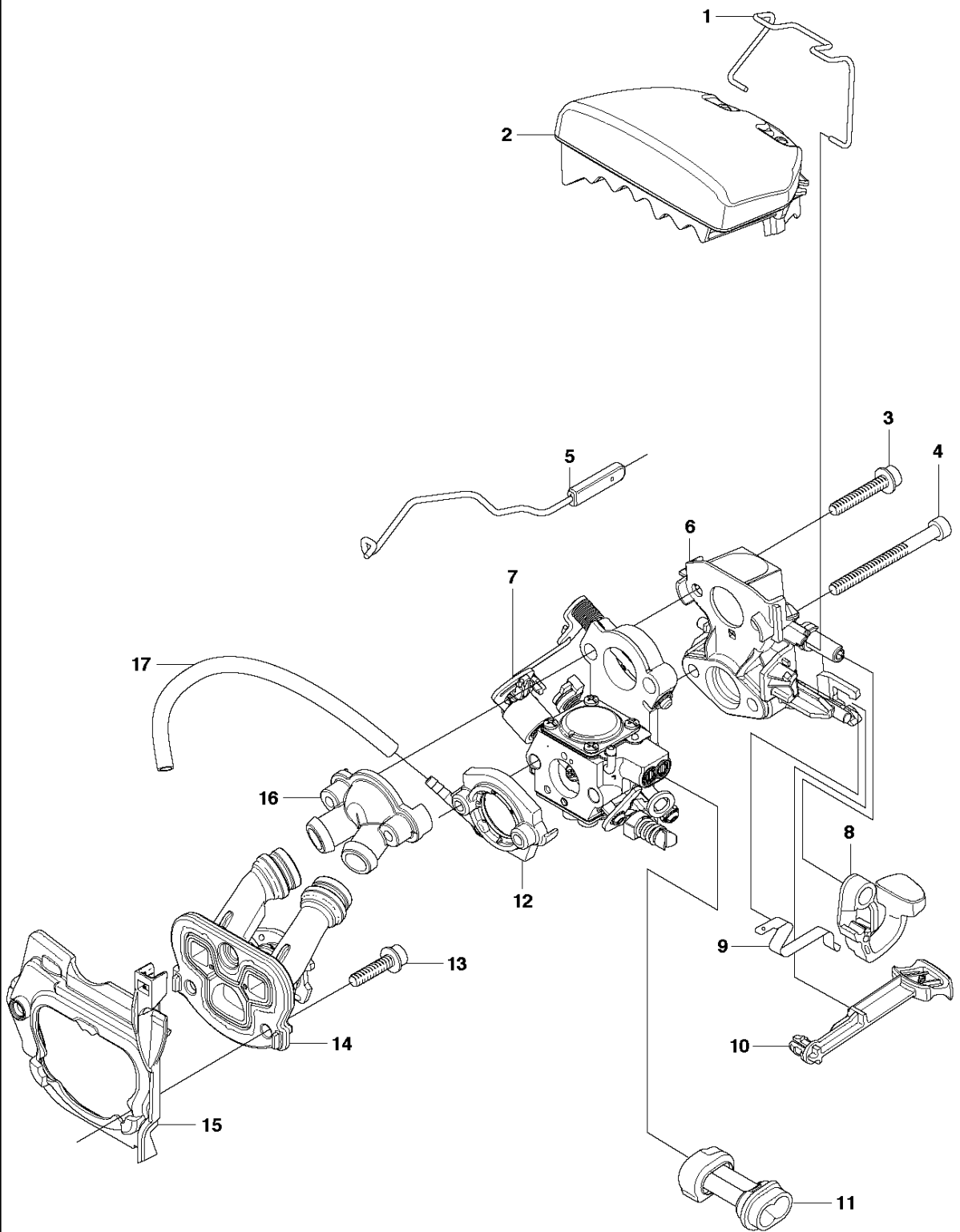
460

P 460
ACCESSORIES

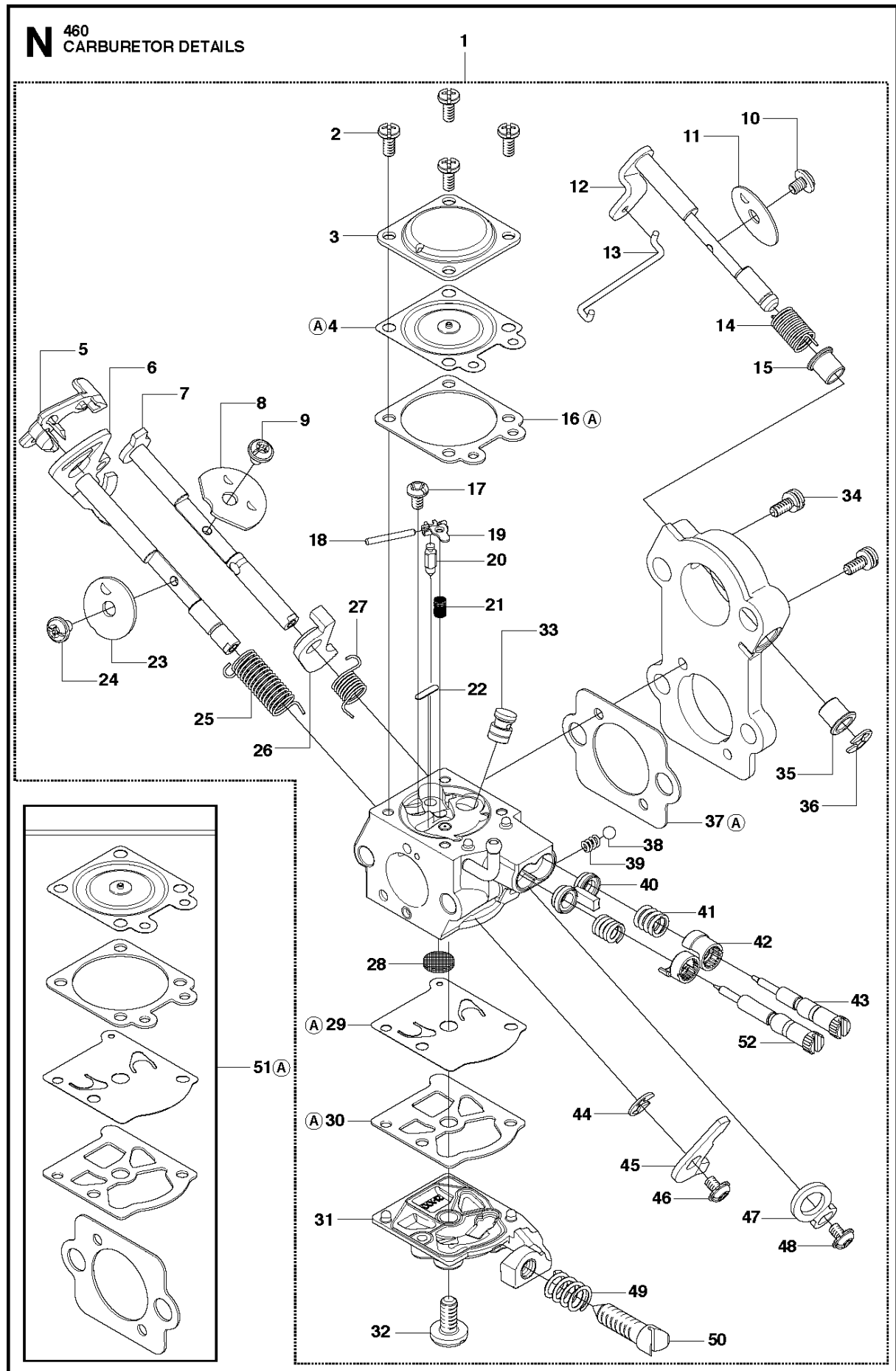


Ref	Part No	Description	Remark	QTY KIT
1	501 69 17-01	COMBINATION WRENCH		1

G 460
CARBURETOR & AIR FILTER

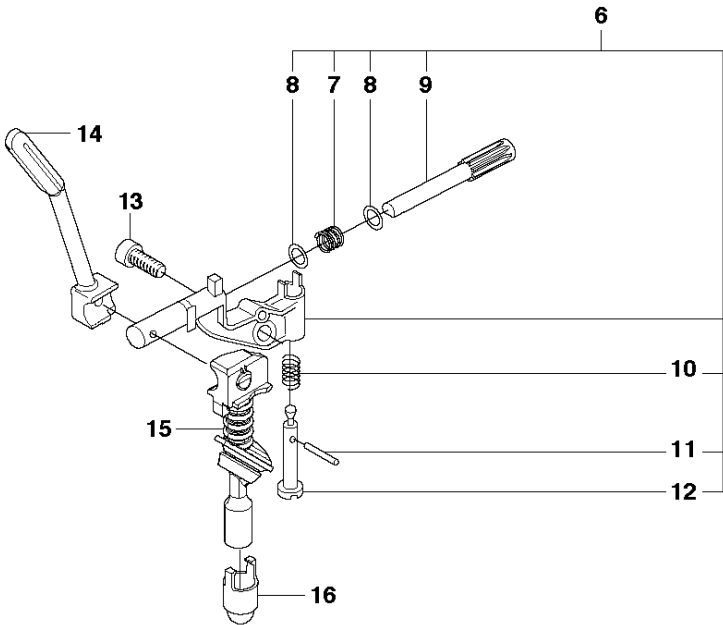
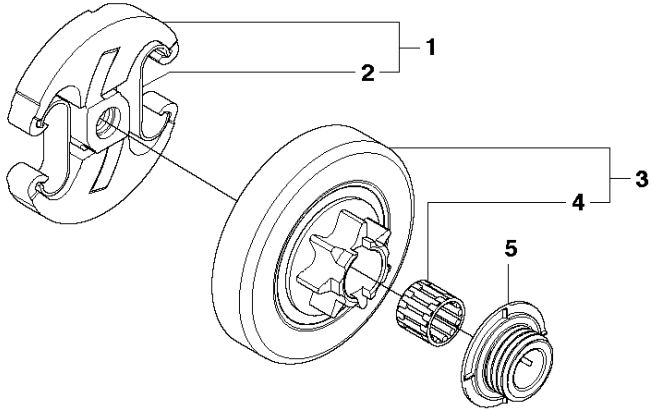


Ref	Part No	Description	Remark	QTY KIT
1	537 30 49-01	CLAMP		1
2	537 25 57-01	AIR FILTER ASSY	μ80	1
2	537 25 57-02	AIR FILTER ASSY	μ44	1
2	537 25 57-03	AIR FILTER ASSY	FELT	1
3	503 21 55-25	SCREW IH SCT		2
4	503 21 74-50	SCREW IH SCT		2
5	537 26 08-02	THROTTLE WIRE ASSY		1
6	537 32 30-01	INLET ELBOW		1
7	544 88 30-01	CARBURETTOR	Walbro WTEA-1	1
8	537 25 55-01	STOP SWITCH		1
9	503 86 97-02	SHORT CIRCUIT SPRING		1
10	537 25 56-01	CHOKE CONTROL		1
11	544 07 14-01	GUIDE SLEEVE		1
12	537 24 15-01	FLANGE		1
13	503 20 02-16	SCREW IH SCFM		3
14	537 32 10-02	PIPE ASSY		1
15	537 37 14-01	INSULATION WALL		1
16	537 24 14-01	FLANGE		1
17	503 40 06-10	IMPULSE HOSE		1



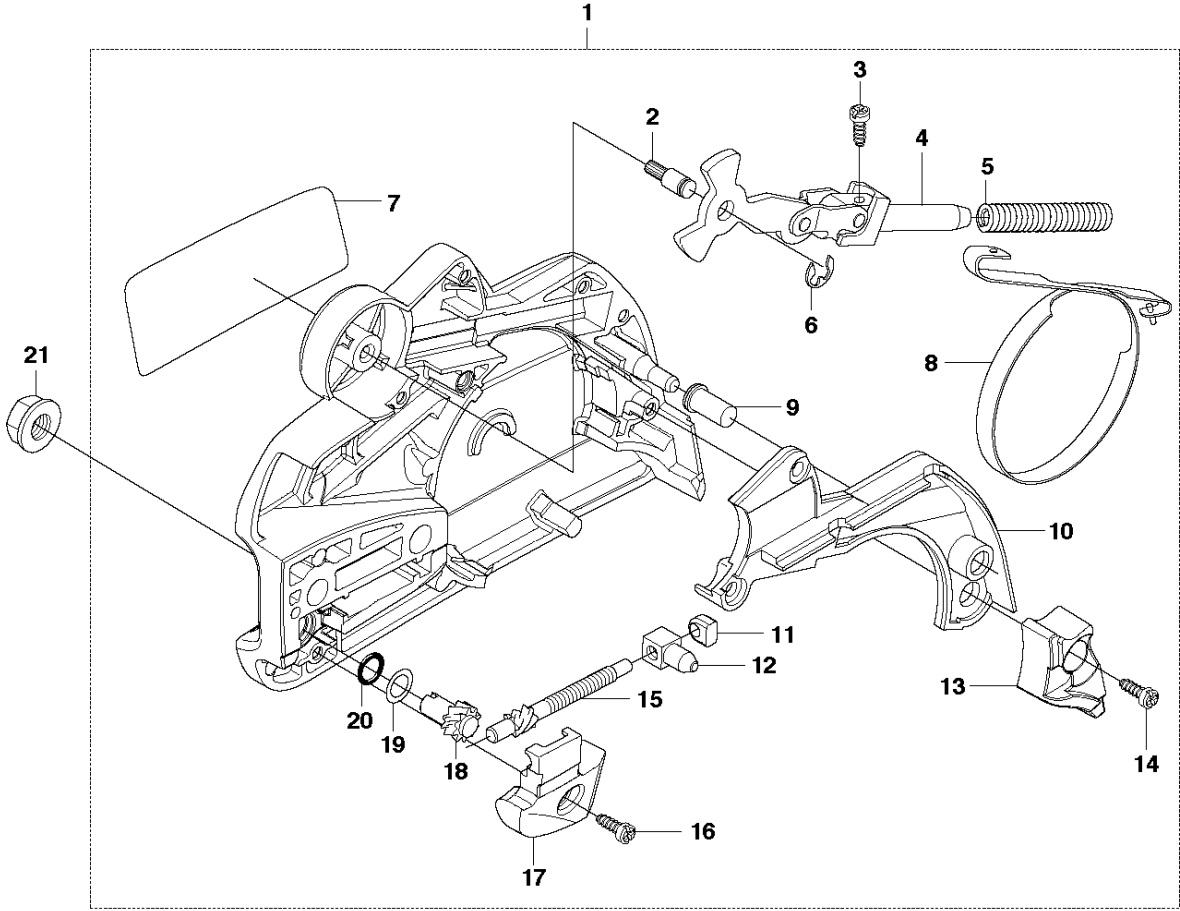
Ref	Part No	Description	Remark	QTY	KIT
1	544 88 30-01	CARBURETTOR	WALBRO, WTEA-1	1	
2	503 58 46-01	SCREW		4	1
3	505 31 67-54	LOCK STYRMEMBRAN		1	1
4	502 84 70-01	DIAPHRAGM		1	1, 51
5	537 30 62-01	LEVER		1	1
6	537 40 74-01	SHAFT ASSY		1	1
7	537 40 75-01	SHAFT ASSY		1	1
8	537 40 77-01	VALVE		1	1
9	537 00 34-01	SCREW		1	1
10	537 00 34-01	SCREW		1	1
11	537 40 68-01	VALVE		1	1
12	537 40 69-01	SHAFT ASSY		1	1
13	537 40 72-01	ROD		1	1
14	537 40 70-01	SPRING THROTT.RETURN		1	1
15	537 40 67-01	BUSHING		1	1
16	504 35 09-06	GASKET		1	1, 51
17	502 84 71-01	SCREW		1	1
18	505 52 01-25	PIN-METERING LEVER		1	1
19	502 84 74-01	LEVER		1	1
20	503 56 34-01	INLET		1	1
21	503 91 47-01	SPRING		1	1
22	502 84 69-01	PLUG		1	1
23	502 84 66-01	VALVE		1	1
24	544 11 15-01	SCREW		1	1
25	537 40 84-01	SPRING THROTT.RETURN		1	1
26	537 40 92-01	LEVER		1	1
27	537 40 86-01	SPRING CHOKE RETURN		1	1
28	501 66 61-01	SCREEN		1	1
29	502 21 36-01	DIAPHRAGM PUMP		1	1, 51
30	504 13 09-06	GASKET		1	1, 51
31	537 40 73-01	COVER		1	1
32	501 46 69-01	SCREW		1	1
33	502 84 68-01	NOZZLE ASSY		1	1
34	537 40 83-01	SCREW		2	1
35	537 40 66-01	BUSHING		1	1
36	505 31 67-36	RING		1	1
37	537 40 81-01	GASKET		1	1, 51
38	501 46 85-01	BALL		1	1
39	501 46 84-01	SPRING		1	1
40	544 97 14-01	RETAINER		1	1
41	544 97 10-01	SPRING		2	1
42	544 97 08-01	LIMITER CAP		2	1
43	502 84 72-01	NEEDLE	High Speed	1	1
44	505 31 67-36	RING		1	1
45	537 40 71-01	LEVER		1	1
46	501 46 87-01	SCREW		1	1
47	537 40 76-01	LEVER		1	1
48	501 46 87-01	SCREW		1	1
49	503 56 42-01	SPRING		1	1
50	537 40 82-01	SCREW		1	1
51	505 27 84-01	KIT	A = Set of Gaskets	1	
52	502 84 73-01	NEEDLE	Low Speed	1	1

B 460
CLUTCH & OIL PUMP



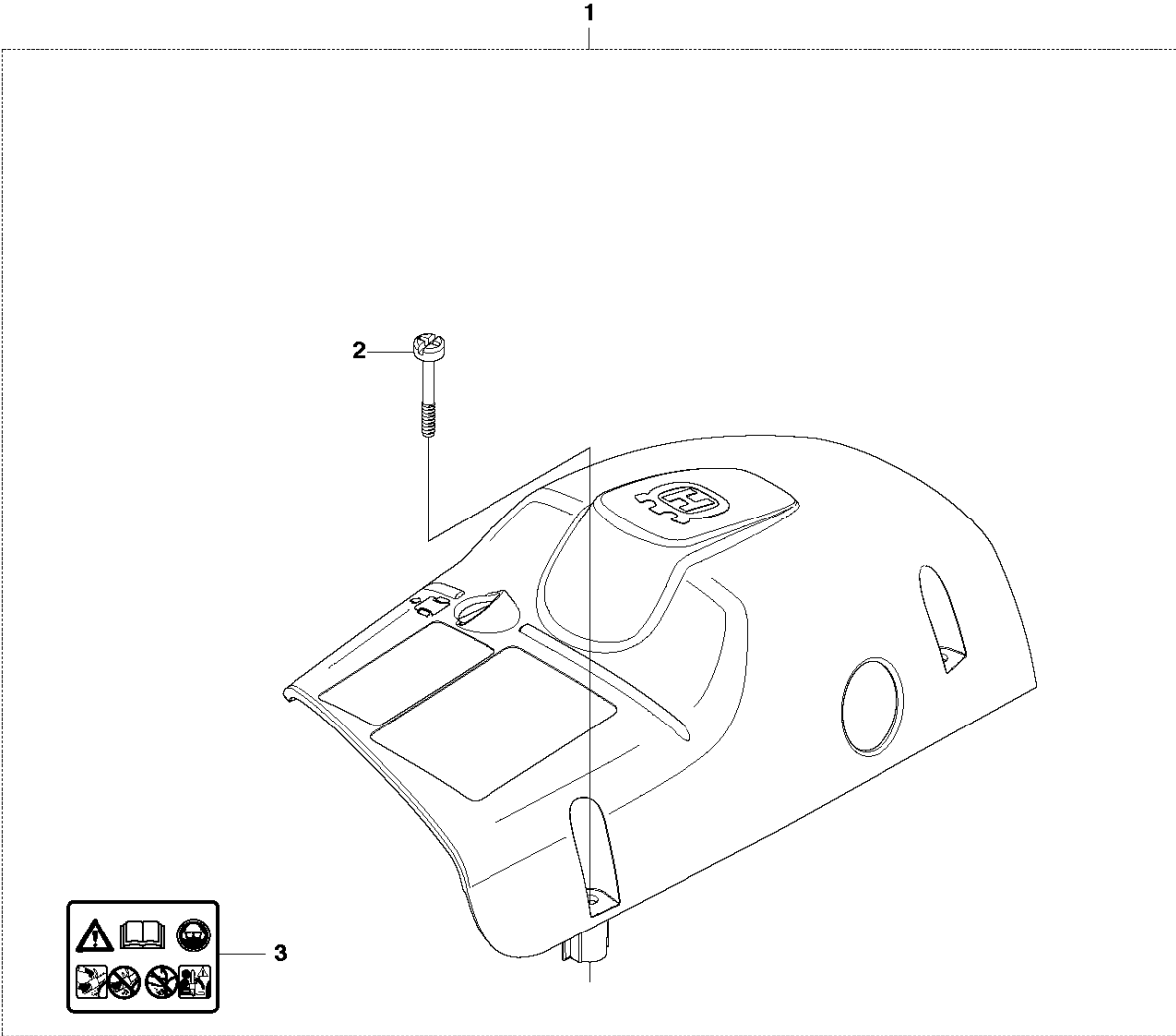
Ref	Part No	Description	Remark	QTY	KIT
1	537 11 05-03	CLUTCH ASSY		1	
2	537 35 91-01	CLUTCH SPRING		2	1
3	537 29 17-02	CLUTCH DRUM ASSY	".325"x7 SPUR"	1	
3	537 29 16-04	CLUTCH DRUM ASSY	"3/8"x7 SPUR"	1	
4	503 25 52-01	NEEDLE BEARING		1	3
5	537 25 26-01	PUMP PINION		1	
6	544 18 01-04	OIL PUMP ASSY		1	
7	503 89 16-01	SPRING		1	6
8	503 23 00-60	WASHER		1	6
9	537 06 93-02	PUMP PISTON		1	6
10	503 89 15-01	SPRING		1	6
11	721 11 64-30	GROOVED PIN		1	6
12	537 02 71-01	ADJUSTER		1	6
13	503 21 74-16	SCREW IHSCT		1	
14	537 26 15-01	OIL PRESSURE HOSE		1	
15	585 51 40-01	OIL HOSE		1	
16	510 04 43-01	OIL SCREEN		1	

A 460
CLUTCH COVER

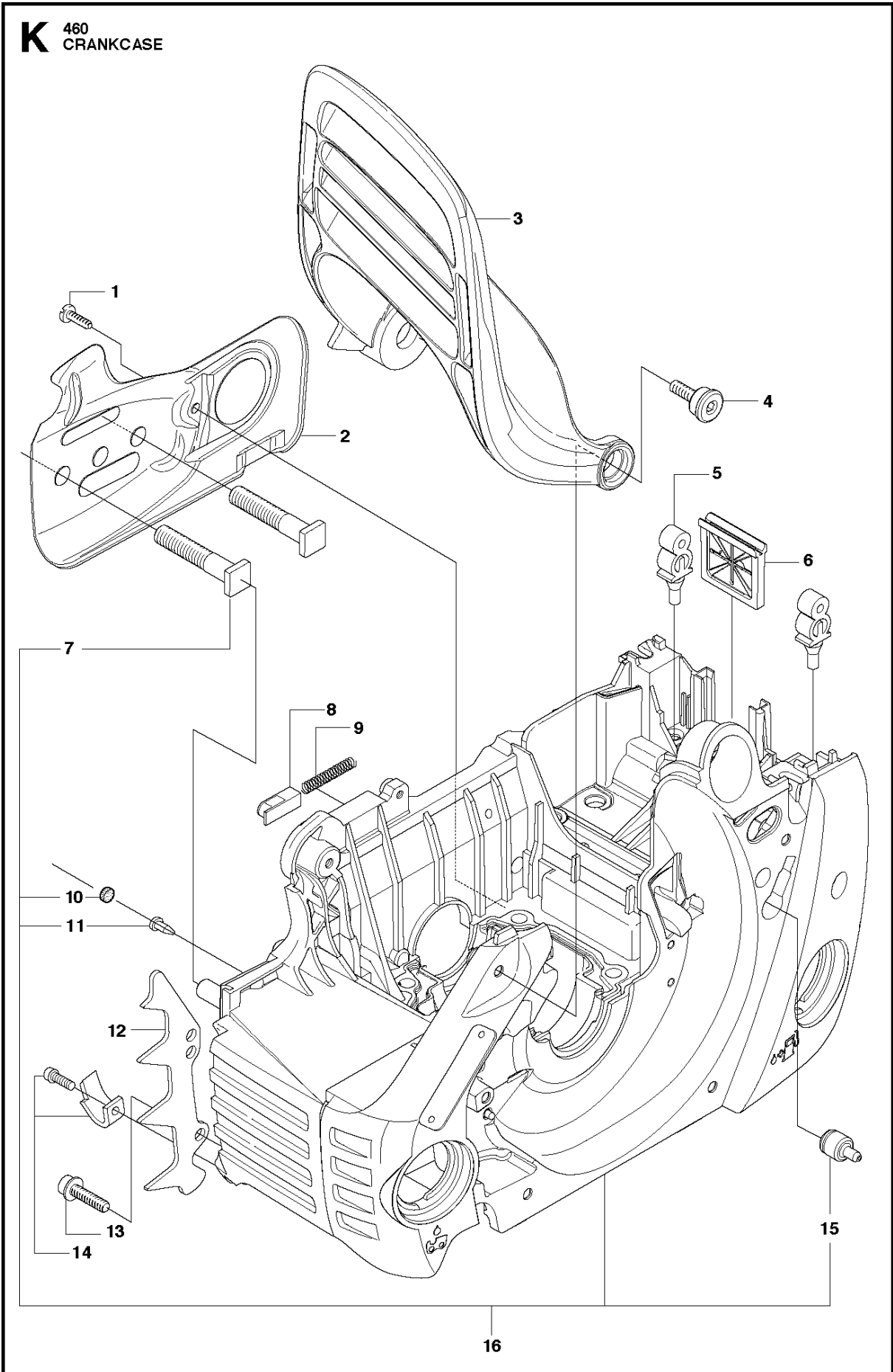


Ref	Part No	Description	Remark	QTY	KIT
1	537 28 63-01	CLUTCH COVER ASSY		1	
2	503 89 29-01	PIN KNEE-JOINT		1	1
3	503 21 70-10	SCREW CCRPANT		1	1
4	503 89 08-02	KNEE JOINT ASSY		1	1
5	503 46 59-01	BRAKE SPRING		1	1
6	735 31 08-20	E-CLIP		1	1
7	537 29 86-01	LABEL		1	1
8	537 04 30-01	BRAKE BAND ASSY		1	1
9	503 85 52-01	GUIDE BUSHING		1	1
10	537 10 80-02	HUB CAP		1	1
11	537 01 74-01	BEARING SLEEVE		1	1
12	537 28 66-01	PAWL		1	1
13	537 08 90-01	WEAR PROTECTION		1	1
14	503 21 70-10	SCREW CCRPANT		4	1
15	537 28 65-01	WORM SCREW		1	1
16	503 21 70-10	SCREW CCRPANT		1	1
17	537 28 64-01	COVER		1	1
18	537 07 94-02	WORM WHEEL		1	1
19	503 23 00-63	WASHER		1	1
20	740 48 07-02	O-RING		1	1
21	503 22 00-01	HEXAGON NUT		2	

C 460
COVER

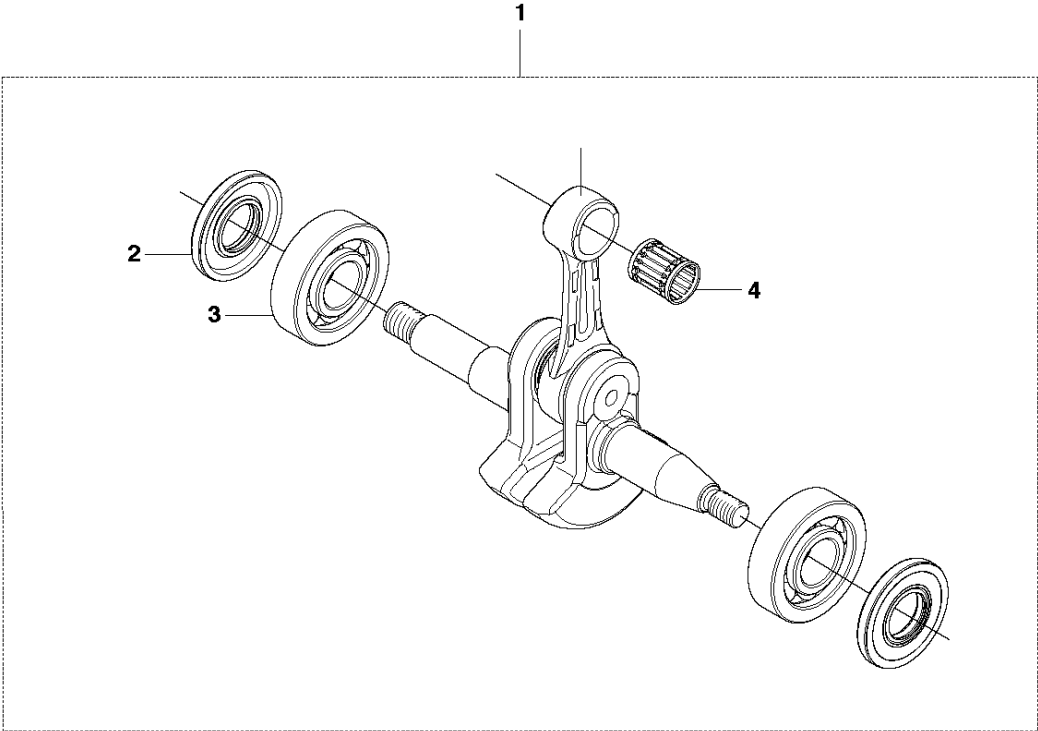


Ref	Part No	Description	Remark	QTY	KIT
1	537 30 89-01	CYLINDER COVER		1	
2	503 20 34-76	SCREW CCRPANMO		3	1
3	503 98 74-01	LABEL		1	1



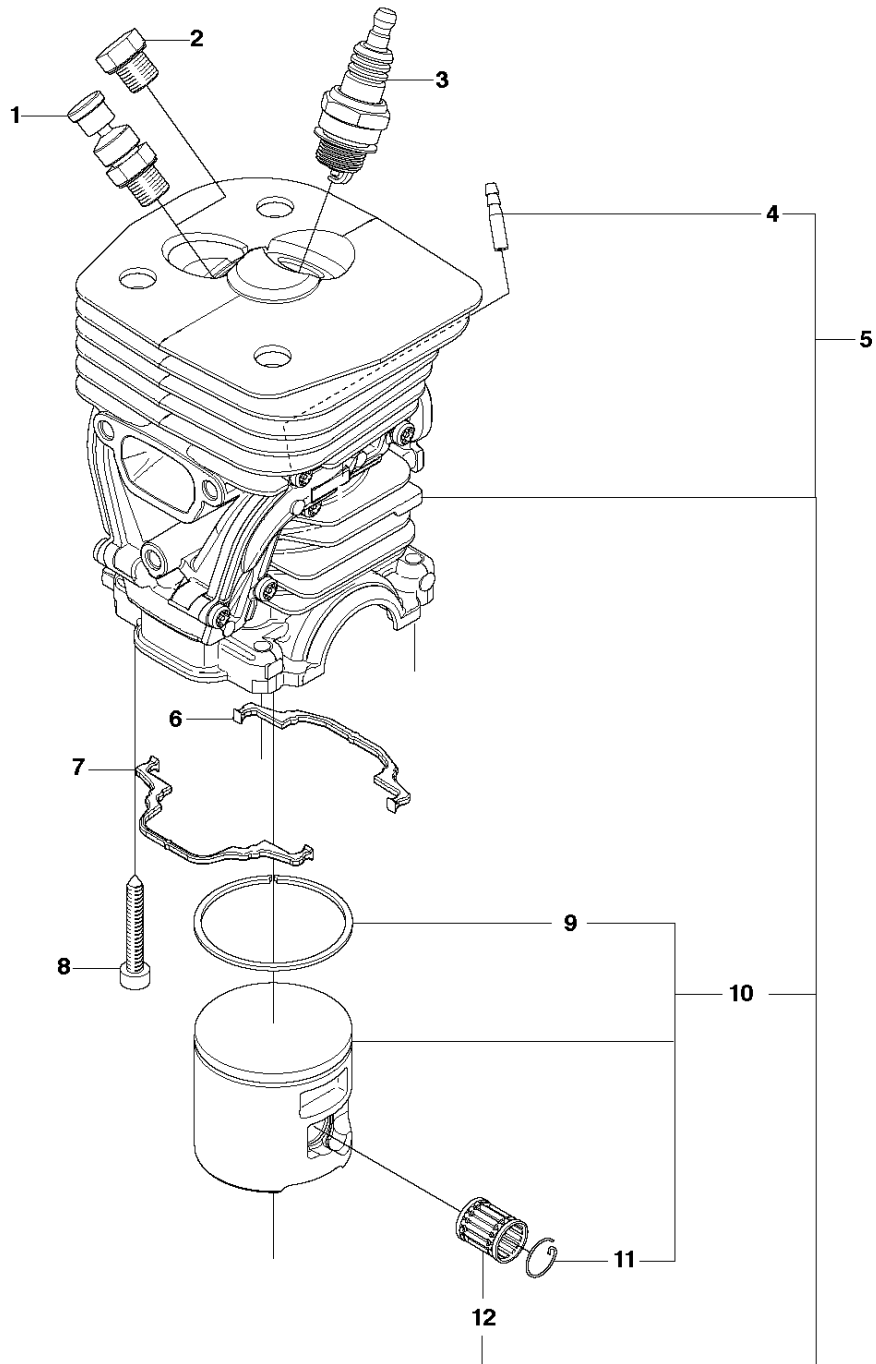
Ref	Part No	Description	Remark	QTY	KIT
1	503 21 70-10	SCREW CCRPANT		1	
2	537 27 13-02	CHAIN GUIDE PLATE		1	
3	537 28 43-01	HAND GUARD		1	
4	537 29 65-01	SCREW		2	
5	503 86 93-01	CARBURETTOR		2	
6	537 26 04-01	BELLOWS		1	
7	537 22 78-01	BAR BOLT		2	16
8	503 89 24-01	LOCK		1	
9	503 43 65-01	POSITION SPRING		1	
10	537 40 35-01	FILTER		1	16
11	530 02 61-19	CHECK VALVE		1	16
12	503 97 38-01	SPIKE		1	
13	503 21 68-72	SCREW IHSCT		2	
14	503 91 06-71	KIT		1	
15	537 35 95-01	TANK VENT ASSY		1	16
16	510 06 59-02	CRANKCASE		1	

J 460
CRANKSHAFT



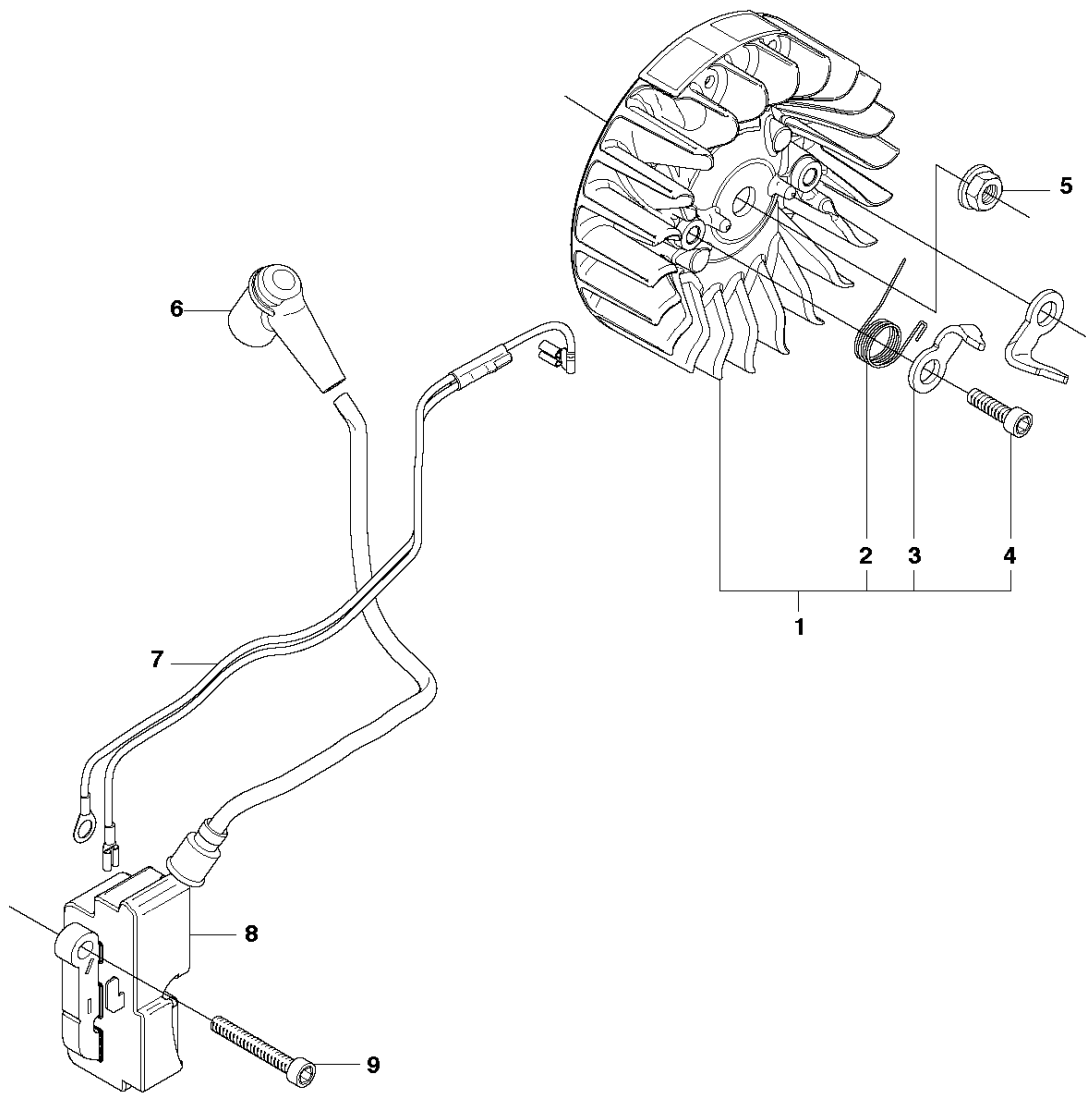
Ref	Part No	Description	Remark	QTY	KIT
1	537 31 40-02	CRANKSHAFT ASSY		1	
2	503 26 19-01	SEALING		2	1
3	503 25 16-02	BALL BEARING		2	1
4	501 86 18-01	NEEDLE BEARING		1	1

H 460
CYLINDER PISTON

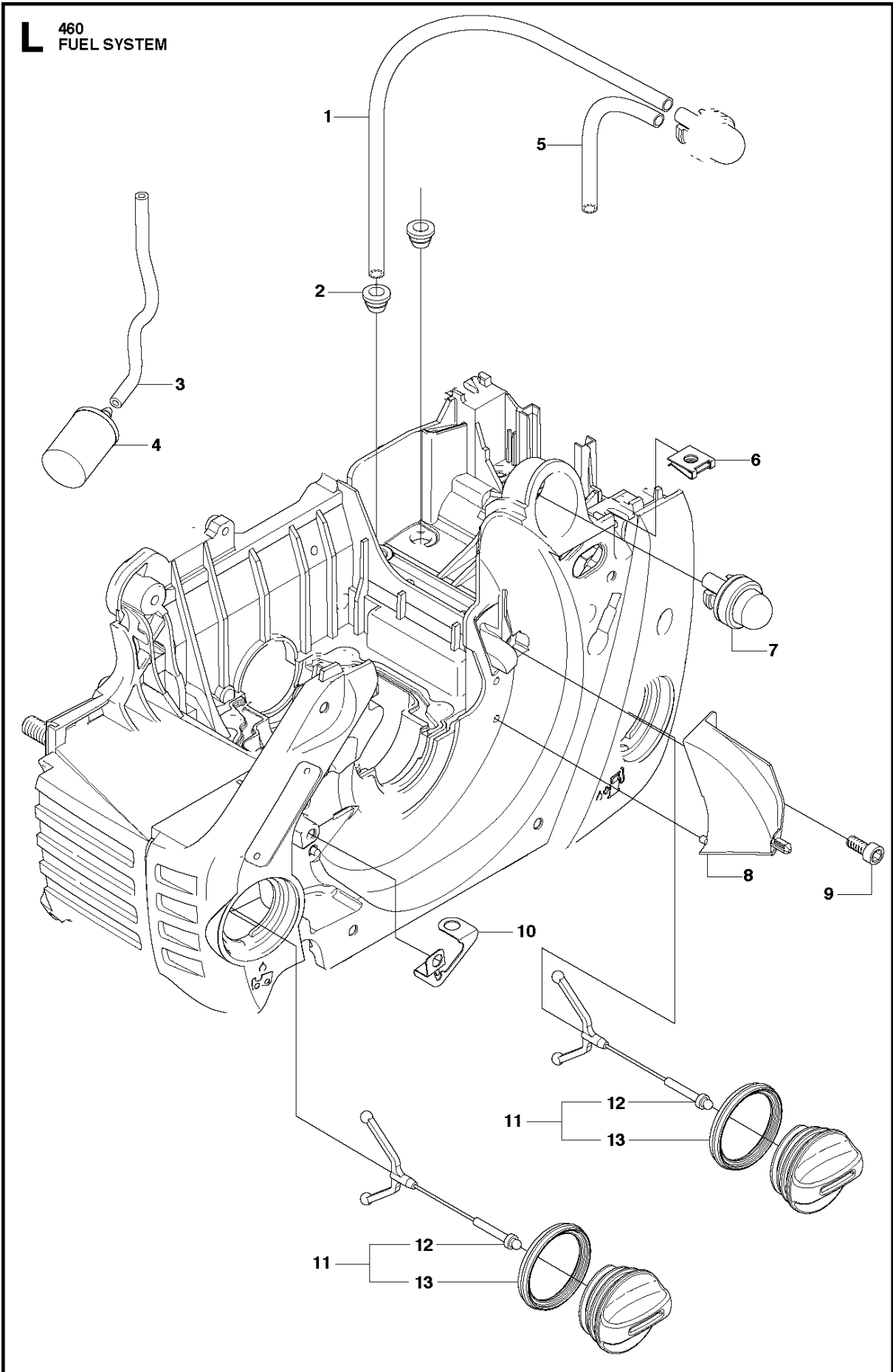


Ref	Part No	Description	Remark	QTY	KIT
1	585 23 63-01	DECOMPRESSION VALVE		1	
2	503 55 22-01	PLUG		1	
3	577 48 40-01	SPARK PLUG	HQT-1	1	
4	503 42 43-01	IMPULSE NIPPLE		4	5
5	537 32 05-01	CYLINDER ASSY		1	
6	537 24 58-01	GASKET		1	
7	537 24 57-01	GASKET		1	
8	503 20 05-27	SCREW IHSCM		4	
9	537 40 15-01	PISTON RING		2	10, 5
10	537 40 13-02	PISTON ASSY		1	5
11	737 43 12-00	SNAP RING		2	10, 5
12	501 86 18-01	NEEDLE BEARING		1	5

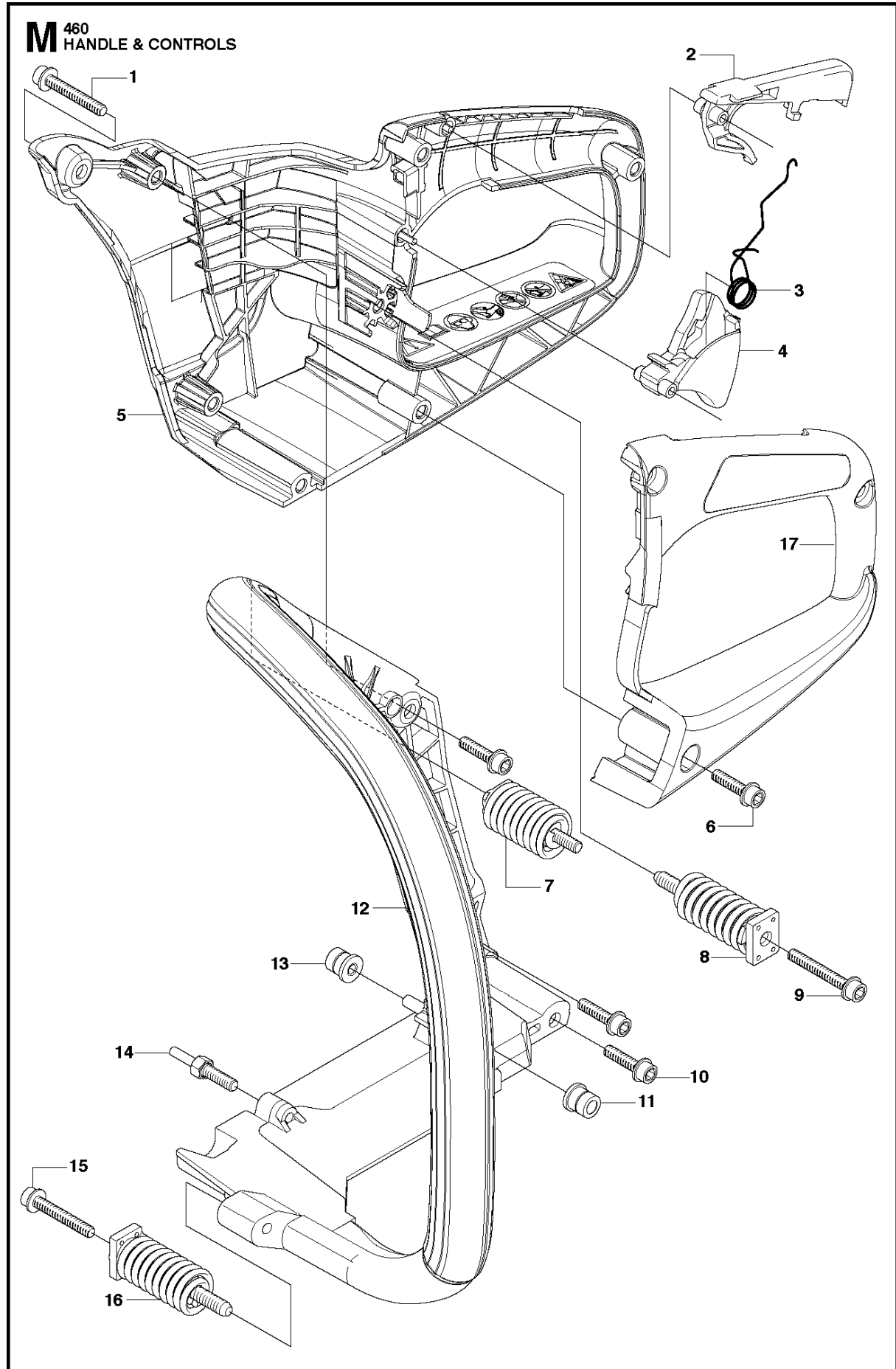
E 460
ELECTRICAL



Ref	Part No	Description	Remark	QTY	KIT
1	537 29 27-01	FLYWHEEL ASSY		1	
2	529 27 11-01	SPRING		2	1
3	537 24 56-01	STARTER PAWL		2	1
4	501 81 99-03	SCREW		2	1
5	503 22 04-01	NUT		1	
6	501 48 54-02	SPARK PLUG CAP		1	
7	537 27 27-01	WIRING ASSY		1	
8	544 04 70-01	IGNITION MODULE		1	
9	503 21 55-25	SCREW IHSCT		2	

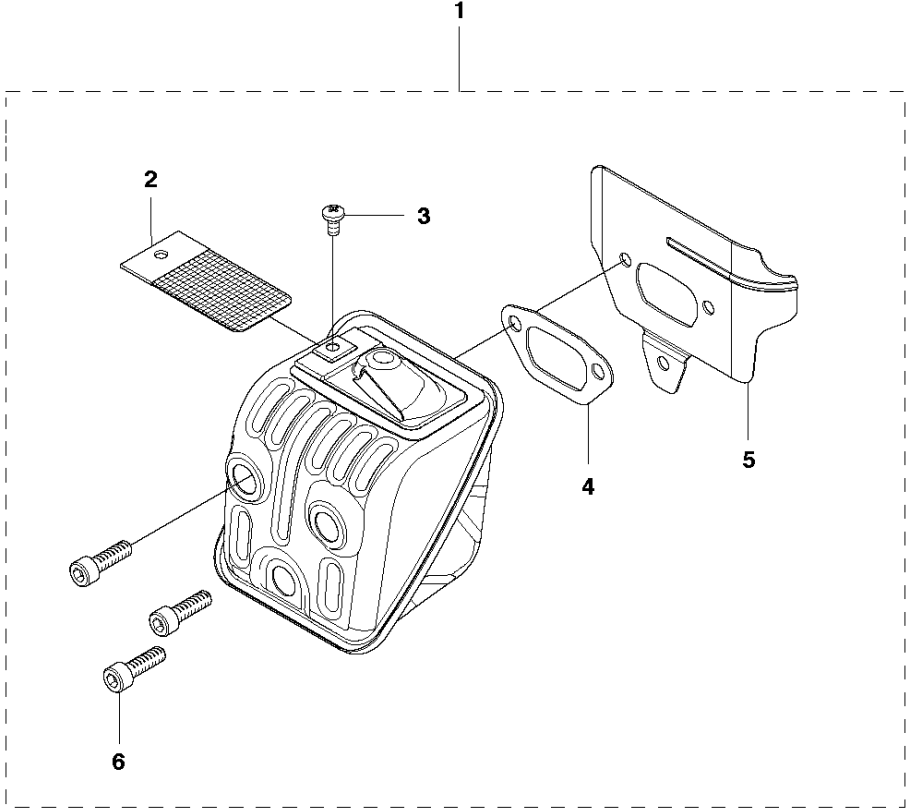


Ref	Part No	Description	Remark	QTY	KIT
1	537 04 24-08	FUEL HOSE		1	
2	503 73 58-01	BUSHING		2	
3	581 75 62-02	FUEL HOSE		1	
4	503 44 32-01	FILTER		1	
5	537 04 24-02	FUEL HOSE		1	
6	503 22 69-02	NUT		3	
7	503 93 66-01	PURGE		1	
8	537 31 79-01	AIR NOZZLE		1	
9	503 21 74-12	SCREW IHSCT		1	
10	537 27 80-01	GROUND PLATE		1	
11	537 21 52-02	TANK CAP ASSY		2	
12	503 57 89-01	HOLDER		1	11
13	537 21 50-01	SEALING		1	11



Ref	Part No	Description	Remark	QTY KIT
1	503 21 88-76	SCREW IHSCT		1
2	502 44 02-01	THROTTLE LOCKOUT		1
3	503 99 86-01	RECOIL SPRING		1
4	537 26 05-03	THROTTLE TRIGGER		1
5	580 94 59-01	REAR HANDLE		1
6	503 21 02-70	SCREW IHSCT		3
7	537 30 46-01	ANTIVIBRATION ELEMENT		1
8	503 85 41-01	ANTIVIBRATION ELEMENT		1
9	503 21 88-76	SCREW IHSCT		1
10	503 21 02-70	SCREW IHSCT		3
11	503 86 92-01	LATERAL SUPPORT		1
12	537 23 05-02	FRONT HANDLE		1
13	503 86 92-01	LATERAL SUPPORT		3
14	537 24 29-01	SCREW		1
15	503 21 88-76	SCREW IHSCT		1
16	503 92 31-01	ANTIVIBRATION ELEMENT		1
17	537 23 07-04	HUB CAP		1

F 460
MUFFLER

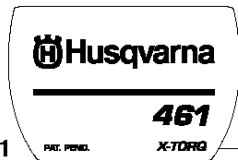
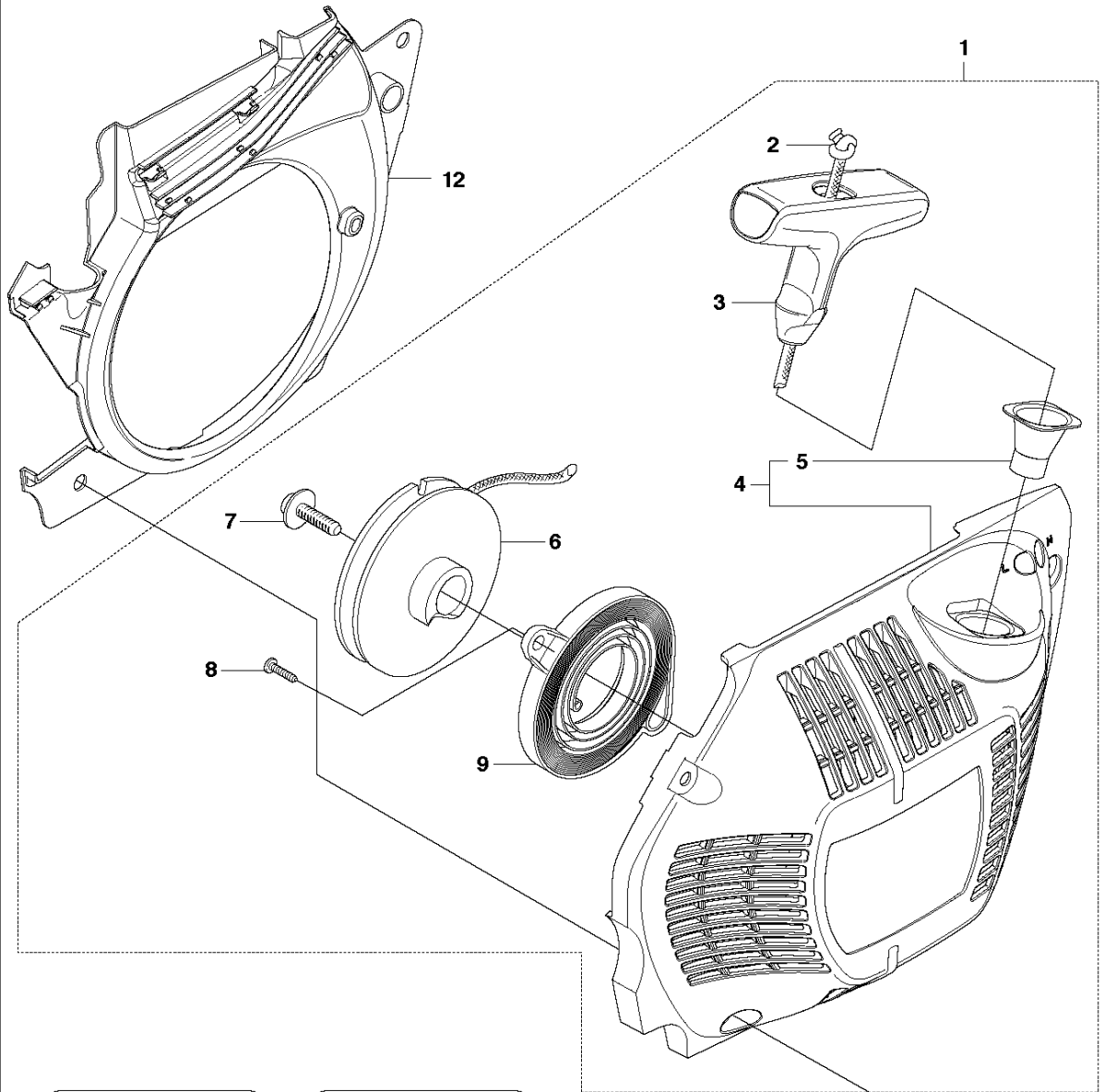


MUFFLER

460

Ref	Part No	Description	Remark	QTY	KIT
1	575 74 30-02	MUFFLER KIT		1	
2	544 11 68-02	SPARK ARRESTER SCREEN		1	1
3	724 12 87-59	SCREW CRPANM		1	
4	537 28 77-01	GASKET		1	
5	577 22 33-01	HEAT DEFLECTOR		1	
6	725 53 70-55	SCREW IHSCM		3	1

D 460
STARTER



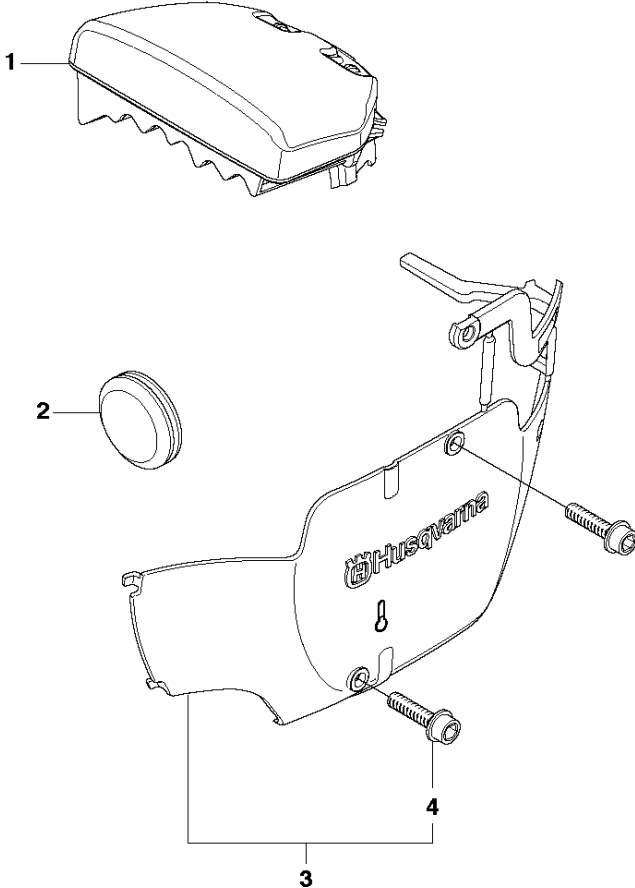
11

13

10

Ref	Part No	Description	Remark	QTY	KIT
1	537 28 42-01	STARTER ASSY		1	
2	505 30 51-25	STARTER CORD		1	1
3	537 23 25-01	STARTER HANDLE		1	1
4	537 28 41-02	STARTER HOUSING		1	1
5	537 28 32-01	REINFORCEMENT SLEEVE		1	1, 4
6	537 09 25-02	STARTER PULLEY		1	1
7	503 21 77-16	SCREW IHSCT		1	1
8	503 21 28-10	SCREW CCRPANT		2	1
9	537 24 17-01	SPRING CASSETTE ASSY		1	1
10	503 21 73-21	SCREW		4	
11	537 32 33-07	DECAL		1	
12	537 26 09-01	AIR CONDUCTOR		1	

Q 460
WINTER KIT



Ref	Part No	Description	Remark	QTY KIT
1	537 25 57-01	AIR FILTER ASSY	μ80	1
2	503 40 59-01	WINTER PLUG		1
3	537 35 60-01	WINTER KIT		1
4	503 21 70-16	SCREW CCRPANT		2 3

Illustrated Parts List - IPL Update



Product Name(s)

H460Rancher

Description of change

New resistor plug is implanted in production due to cost reduction.

Comments

Fully interchangeable.

Introduced from

Serial number / Date	Remark
2017-03-23	

IPL updates

Page Title	Ref. no	New part no	Name	Excl. part no.	Remark
Cylinder & Piston	3	577 48 40-01	Spark plug	503 23 51-08	Remain as spare part.