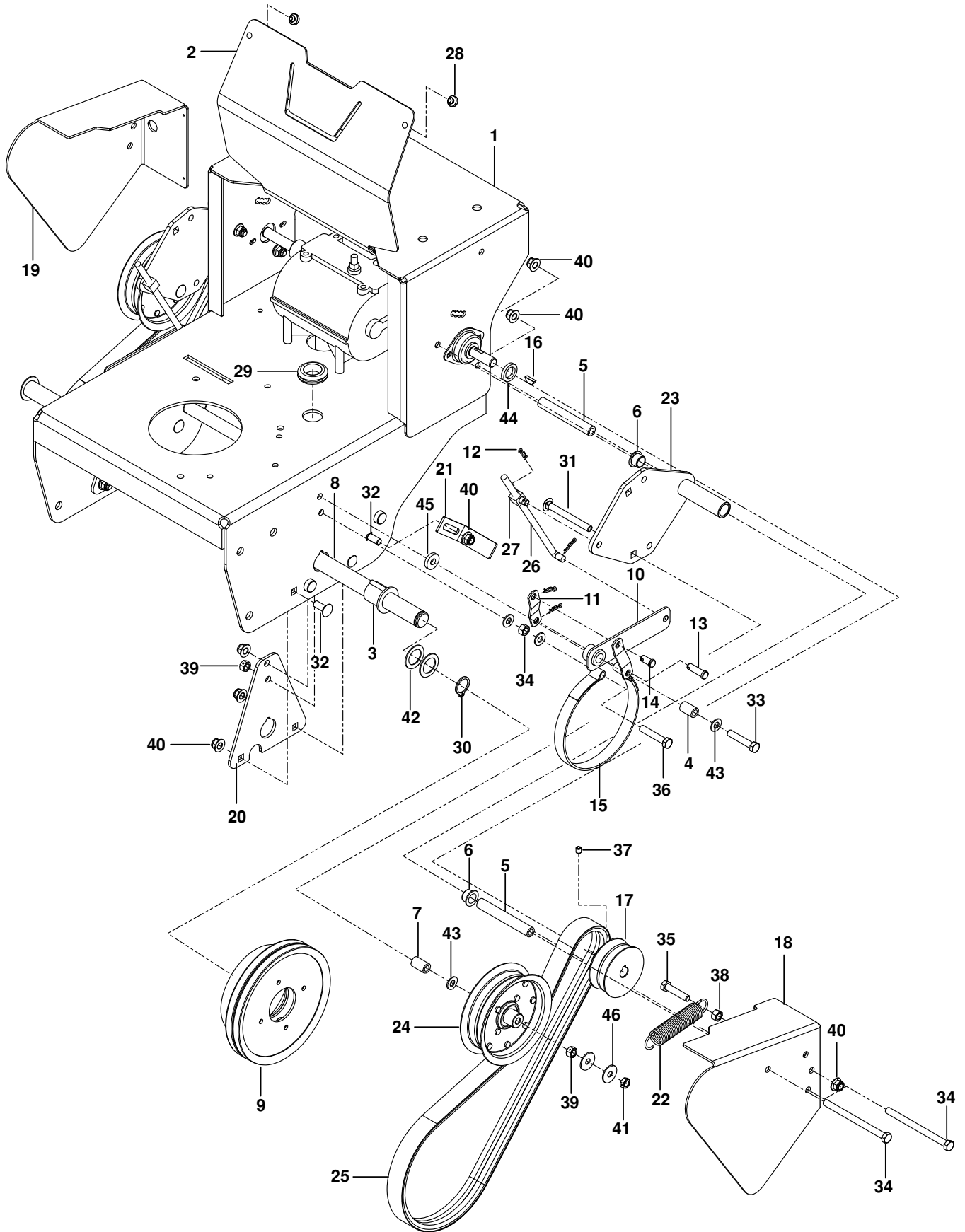


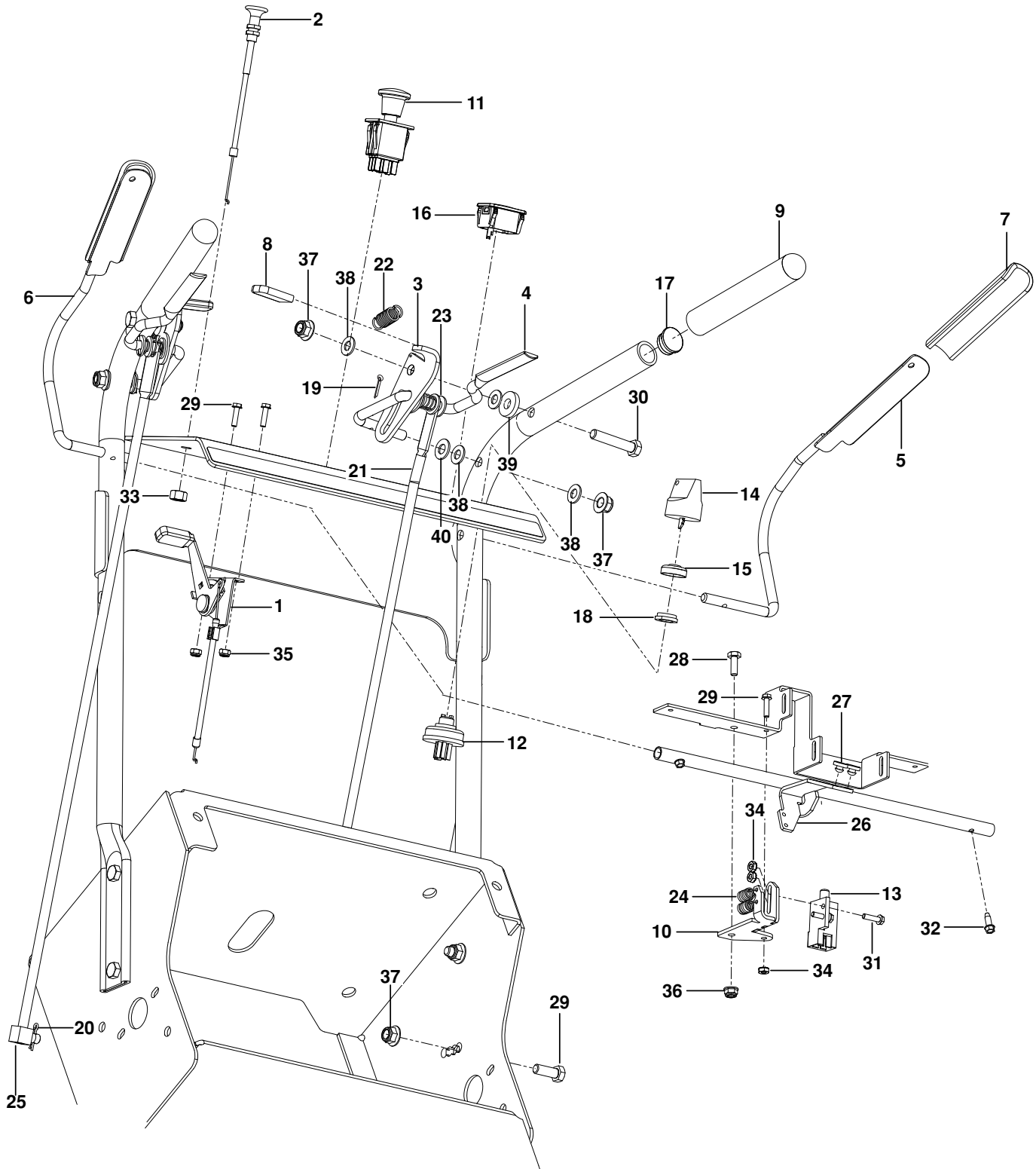
Parts List No. 115 73 96-27		 Husqvarna® PARTS LIST	Model W436 W448
Date 2015-02-28	Replaces		Rev. B
NOTE : Illustration may differ from actual model due to design changes.			



Ref.	Part No.	Qty	Description	Ref.	Part No.	Qty	Description	Ref.	Part No.	Qty	Description
1	588 06 33-01	1	Assy, Frame w/Decals	17	588 07 19-01	2	Sheave, Drive 3¼	33	588 06 47-11	2	Bolt .38-16 x 2 Hex
2	588 07 20-03	2	Shield, Fuel Tank	18	588 06 81-01	1	Cover, Traction Belt LH	34	588 06 47-14	4	Bolt .38-16 x 5 Hex
3	588 06 68-01	2	Bushing Flg	19	588 06 81-02	1	Cover, Traction Belt RH	35	588 06 47-10	2	Bolt .38-16 x 1¼ Hex
4	588 06 67-01	2	Bushing, Slv	20	588 07 12-01	2	Plate, Axle	36	588 06 47-12	2	Bolt .38-16 x 2 Hex
5	588 06 67-02	4	Bushing	21	588 07 12-02	2	Plate, Bent Belt	37	588 07 16-03	2	Screw, Set Skt
6	588 06 68-02	4	Bushing, Flg	22	588 07 17-04	2	Spring, Extension	38	588 07 06-03	4	Nut .38-16 Hex
7	588 06 68-03	2	Bushing, Slv	23	588 06 79-01	2	Arm, Clutching	39	588 07 06-05	4	Nut.38-16 Lk Ctr
8	588 07 18-01	1	Shaft, Axle	24	588 07 13-04	2	Pulley, Flat 5" w/ Bearing	40	588 07 06-10	14	Nut .38-16 Lk Nyl Flg
9	588 06 35-02	2	Pulley Drum Assy	25	588 06 40-01	2	Belt, Gear Drive 49"	41	588 07 06-06	2	Nut .375-16 Lk Ctr Jam
10	588 06 49-01	2	Lever, Brake Actuating	26	588 07 15-01	2	Rod, Brake Actuating	42	588 07 32-14	4	Washer Flt 1.010 x 1.505
11	588 07 02-01	4	Link, Brake Arm	27	588 07 26-01	2	Swivel ¾-24	43	588 07 32-10	8	Washer Flt .406 x .812
12	588 07 08-05	8	Pin, Hair	28	588 06 66-01	2	Grommet, Bumper	44	588 07 32-04	2	Washer Flt .765"
13	588 07 08-03	2	Pin, Clevis 1¼	29	588 06 88-04	1	Grommet, Rubber	45	588 07 32-11	2	Washer Flt .406 x 1
14	588 07 08-02	2	Pin, Clevis ¾	30	588 07 14-02	2	Ring, Retaining	46	588 07 32-07	4	Washer Flt .375 x 1.125
15	588 06 30-01	2	Assy, Brake Band	31	588 06 47-27	2	Bolt .38-16 x 3½ Rdhd		Not Shown		
16	588 06 98-04	2	Key, Woodruff ¾	32	588 06 47-25	6	Bolt .38-16 x 1 Rdhd		588 06 38-01	2	Wheel Assy 6 x 4.5

HANDLE AND CONTROLS

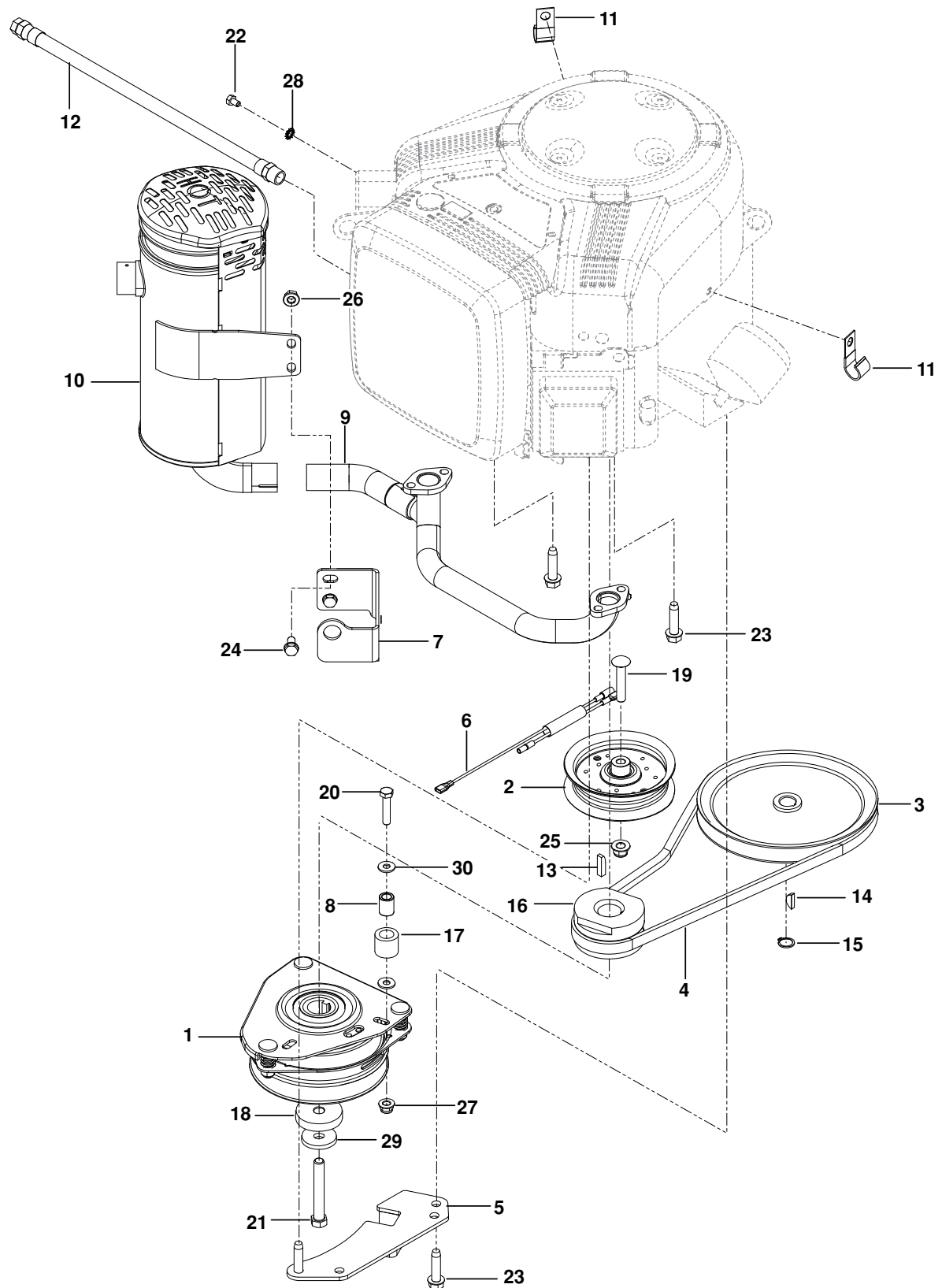
Parts List No. 115 73 96-27		 Husqvarna® PARTS LIST	Model W436 W448
Date 2015-02-28	Replaces		Rev. B
NOTE : Illustration may differ from actual model due to design changes.			



Ref.	Part No.	Qty	Description	Ref.	Part No.	Qty	Description	Ref.	Part No.	Qty	Description
1	588 06 69-01	1	Cable, Throttle	15	588 06 73-01	1	Cap, Ignition Switch	31	588 07 16-02	4	Screw 10-24 x 3/4 Mch
2	588 06 69-03	1	Cable, Choke	16	588 07 04-01	1	Meter, Hour	32	588 07 16-04	2	Screw 12-24 x 5/8 Tap
3	588 07 00-02	1	Latch, Thumb RH	17	588 06 73-03	2	Plug, Handlebar	33	588 07 06-02	1	Nut .375-24 Hex Gr2
	588 07 00-01	1	Latch, Thumb LH	18	588 07 06-12	1	Panel Nut	34	588 07 06-01	3	Nut 10-24 Keps
4	588 07 01-04	1	Lever, Hand Ctrl RH	19	588 07 08-04	4	Pin 3/4" Cotter	35	588 07 06-07	2	Nut 10-24 w/Insert Nyl
	588 07 01-03	1	Lever, Hand Ctrl LH	20	588 07 08-05	2	Pin, Hair, #25	36	588 07 06-08	1	Nut 1/4-20 Lk Nyl Flg
5	588 07 01-02	1	Lever Rh	21	588 07 15-02	2	Rod, Steering	37	588 07 06-10	8	Nut .38-16 Lk Nyl Flg
6	588 07 01-01	1	Lever Lh	22	588 07 17-02	2	Spring 1 3/4" Tension	38	588 07 32-05	8	Washer Flt .375 x 3/4
7	588 06 87-01	2	Grip, Clutch Lever	23	588 07 17-01	2	Spring, Compr	39	588 07 32-11	2	Washer Flt .406 x 1
8	588 06 87-04	2	Grip, Thumb Latch	24	588 07 17-03	2	Spring, Extension	40	588 07 32-10	8	Washer Flt .406
9	588 06 87-03	2	Grip, Handlebar	25	588 07 26-01	2	Swivel 3/8-24		Not Shown		
10	588 07 25-01	1	Mount, Switch / Spring	26	588 07 10-01	1	Tube, Pivot	588 06 34-01		1	Hndlbar w/Decals
11	588 07 25-02	1	Switch, Clutch	27	588 06 66-01	2	Bumper Grommet	588 06 93-01		1	Harness, Wire Gear
12	588 06 98-01	1	Switch, Key	28	588 06 47-03	1	Bolt 1/4-20 x 3/4 Hex				
13	588 07 25-03	1	Switch, Interlock	29	588 06 47-08	4	Bolt .38-16 x 1 Hex				
14	588 06 98-02	1	Key w/ Shield	30	588 06 47-11	2	Bolt .38-16 x 2 Hex				

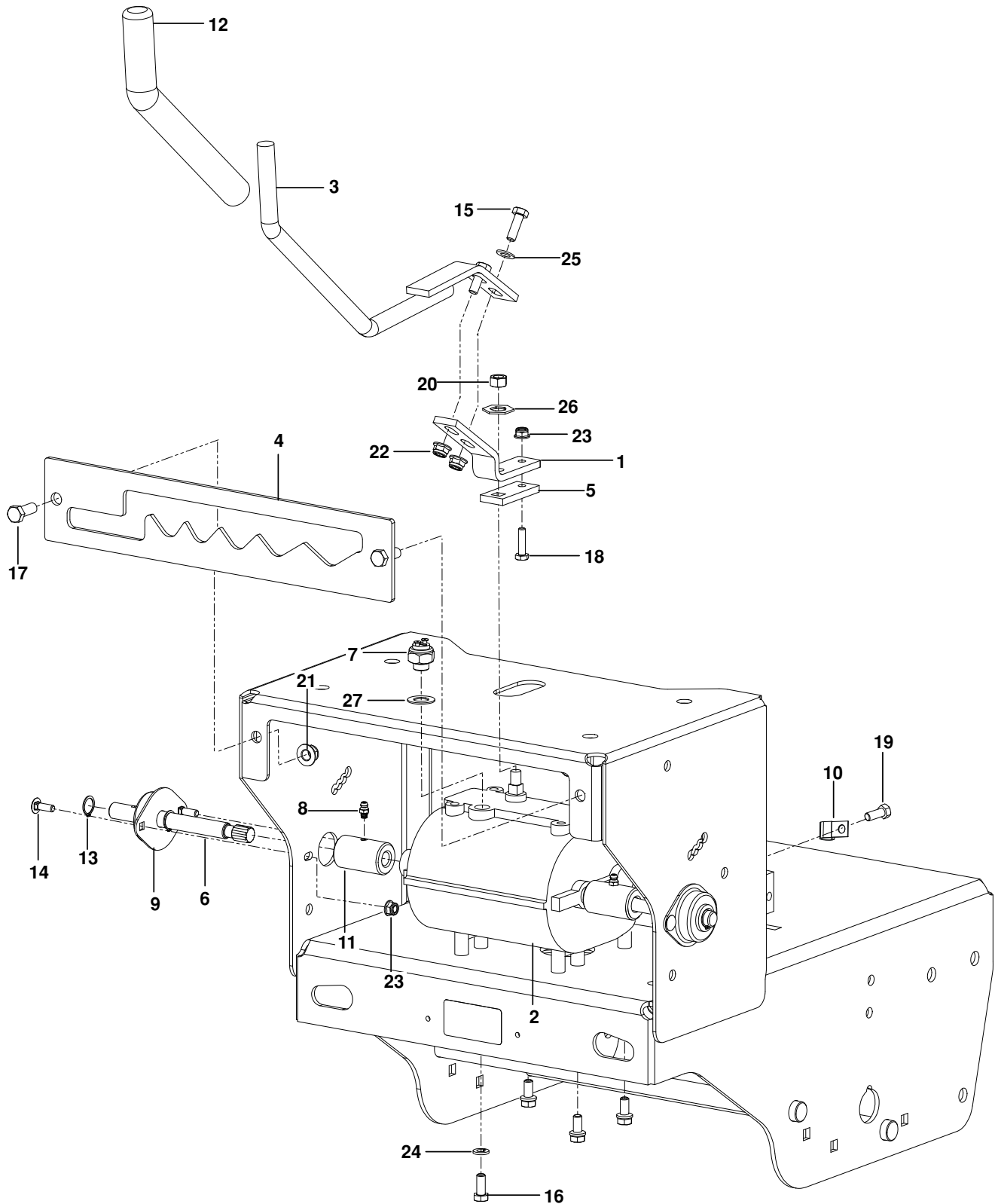
ENGINE PLATE

Parts List No. 115 73 96-27		 Husqvarna ® PARTS LIST	Model W436 W448
Date 2015-02-28	Replaces		Rev. B
NOTE : Illustration may differ from actual model due to design changes.			



TRANSMISSION

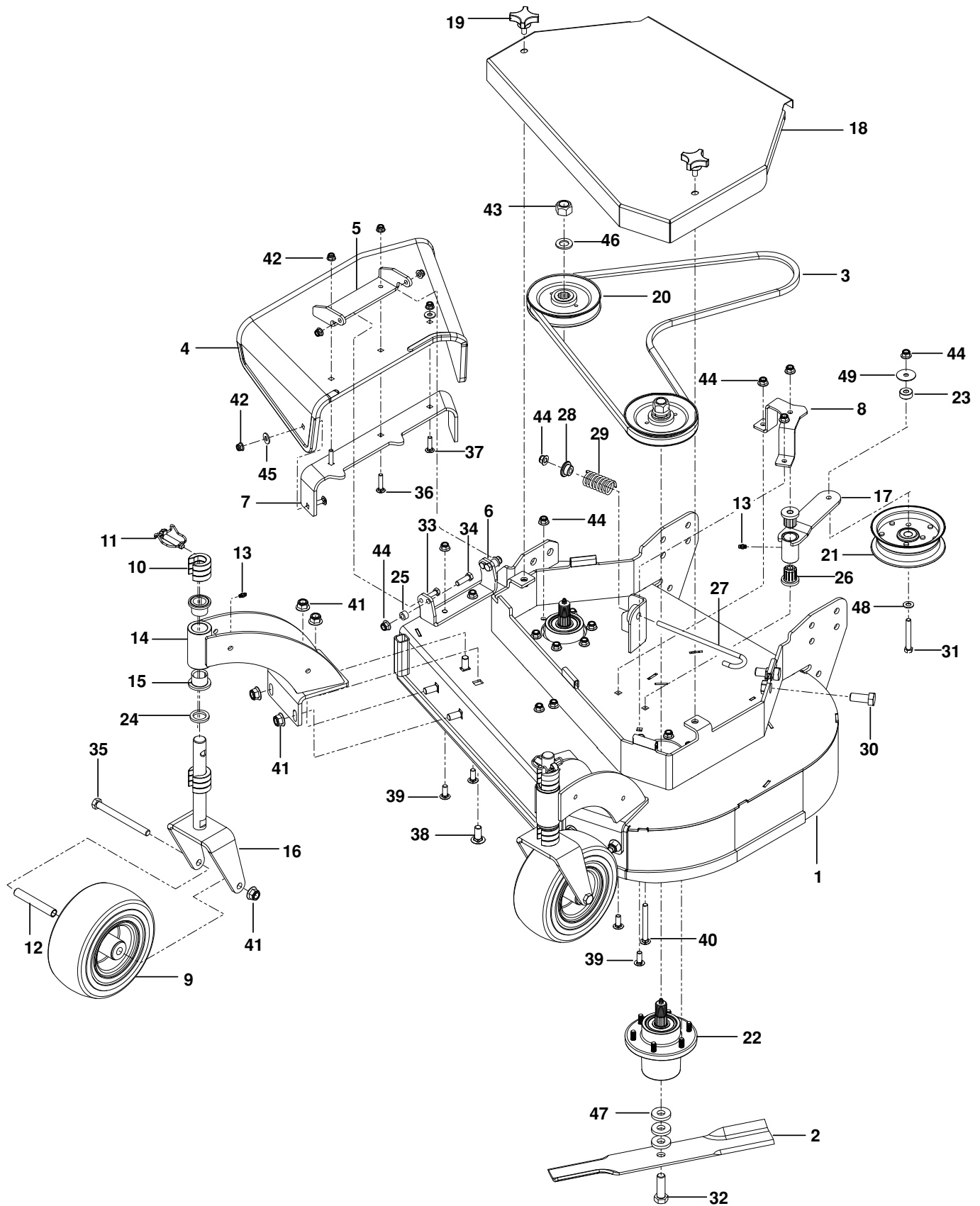
Parts List No. 115 73 96-27		Husqvarna® PARTS LIST	Model W436 W448
Date 2015-02-28	Replaces	NOTE : Illustration may differ from actual model due to design changes.	Rev. B



Ref.	Part No.	Qty	Description	Ref.	Part No.	Qty	Description	Ref.	Part No.	Qty	Description
1	588 06 48-02	1	Bracket, Shift Lever	10	588 07 07-01	1	P-Clip	19	588 06 47-07	1	Bolt .38-16 x ¾ Hex
2	588 07 28-01	1	Transmission	11	588 06 80-01	2	Coupler	20	588 07 06-04	1	Nut .375-24 Lk Ctr
3	588 07 21-01	1	Shift Lever	12	588 06 87-02	1	Grip, Handle	21	588 07 06-10	3	Nut .38-16 Lk Nyl Flg
4	588 07 12-04	1	Plate, Shift Lever	13	588 07 14-01	4	Ring, Retaining	22	588 07 06-09	3	Nut .31-18 Lk Nyl Flg
5	588 07 12-03	1	Plate, Shift	14	588 06 47-22	4	Bolt .25-20 x ¾ Rd Hd	23	588 07 06-08	5	Nut .25-20 Lk Nyl Flg
6	588 07 18-02	1	Shaft, Half	15	588 06 47-05	2	Bolt .31-18 x 1 Hex	24	588 07 32-17	4	Washer, Lk
7	588 07 25-04	1	Switch, Neutral	16	588 06 47-04	4	Bolt .31-18 x ¾ Hex	25	588 07 32-06	2	Washer, Flt
8	588 06 86-02	2	Fitting ¼-28 Grease	17	588 06 47-08	2	Bolt .38-16 x 1 Hex	26	588 07 32-18	1	Washer, Lk
9	588 06 50-03	2	Bearing, Flange	18	588 06 47-02	1	Bolt .25-20 x 1 Hex	27	588 07 32-15	1	Washer, Flt

MOWER DECK / CUTTING DECK

Parts List No. 115 73 96-27		 Husqvarna® PARTS LIST	Model W436
Date 2015-02-28	Replaces		Rev. B
NOTE : Illustration may differ from actual model due to design changes.			

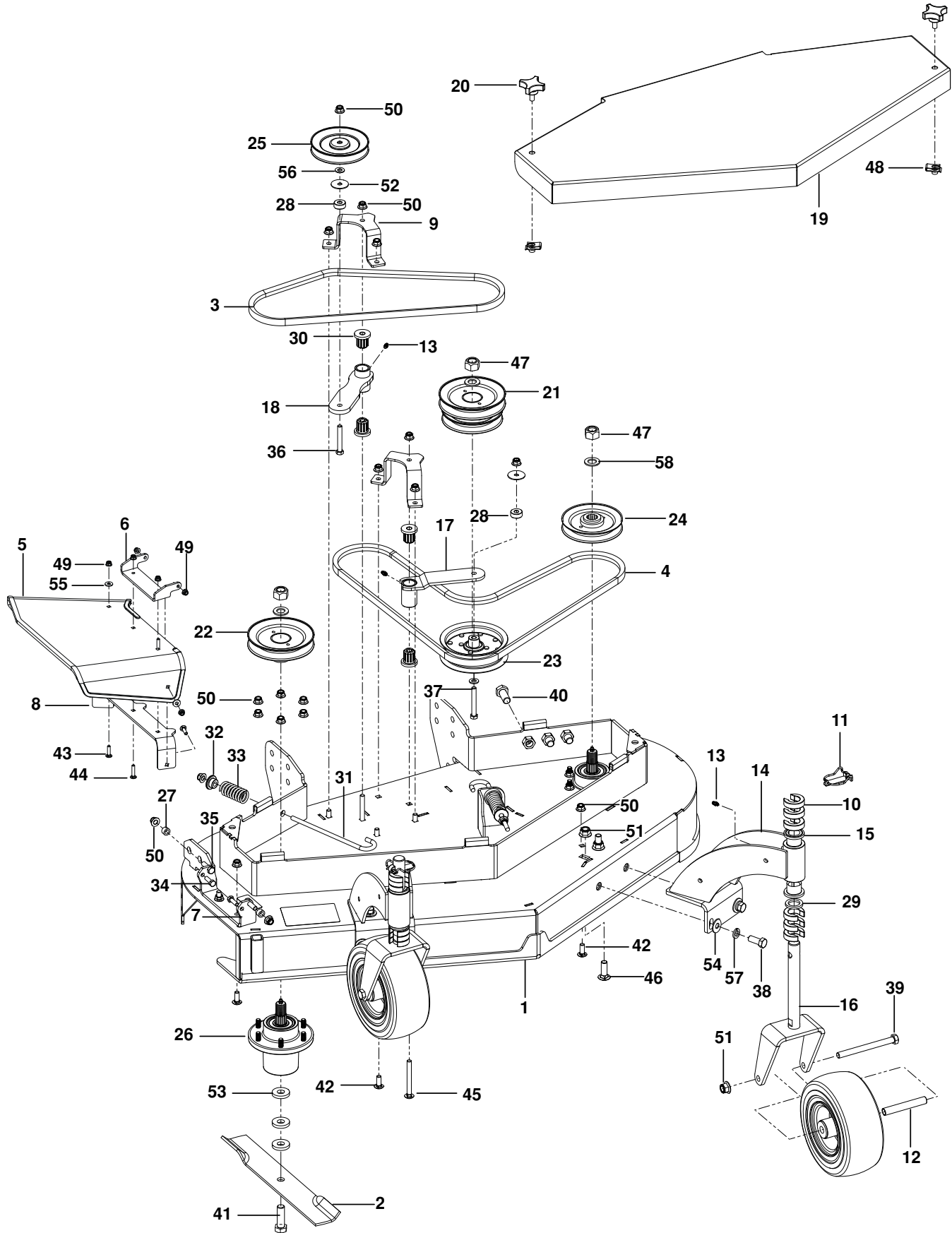


Ref.	Part No.	Qty	Description	Ref.	Part No.	Qty	Description	Ref.	Part No.	Qty	Description
1	588 06 31-01	1	Deck w/ Safety Decals	18	588 07 20-01	1	Shield	35	588 06 47-16	2	Bolt 1/2-13 x 5/2 Hex
2	588 06 45-02	2	Blade, 18"	19	588 06 99-01	2	Knob 3/8-16 x 3/4	36	588 06 47-24	2	Bolt .31-18 x 1 1/2 Rd Hd
3	588 06 40-03	1	Belt, Hb 80.3 El Amd	20	588 07 13-07	2	Pulley, Spindle	37	588 06 47-23	2	Bolt .31-18 x 1 1/4 Rd Hd
4	588 06 75-01	1	Chute, Discharge Rubber	21	588 07 13-04	1	Pulley, Flat 5" w/ Bearing	38	588 06 47-28	8	Bolt 1/2-13 x 1 1/4 Rd Hd
5	588 06 65-02	1	Bracket, Mount Gry	22	588 06 36-01	2	Spindle Assy	39	588 06 47-21	4	Bolt .38-16 x 1 Rd Hd
6	588 06 65-03	1	Bracket, Pivot Org	23	588 06 68-04	1	Bushing, .380 x 1	40	588 06 47-27	3	Bolt .38-16 x 3 1/2 Rd Hd
7	588 06 65-01	1	Bracket, Gry	24	588 06 68-05	2	Bushing, 1.03 x 1 1/2	41	588 07 06-11	10	Nut .50-13 Lk Nyl Flg
8	588 06 48-01	1	Bracket, Idler	25	588 22 72-01	2	Bushing, Slv	42	588 07 06-09	6	Nut .31-18 Lk Nyl Flg
9	588 06 37-01	2	Wheel & Tire 9 x 3.5	26	588 06 50-02	2	Bearing, Flg Fluted	43	588 07 03-01	2	Nut 3/4-16 Lk Crown
10	588 06 82-01	12	C-Spacer, 1 x 1/2	27	588 06 96-01	1	J-Bolt 3/8-16	44	588 07 06-10	21	Nut .38-16 Lk Nyl Flg
11	588 07 08-01	2	Pin, Linc 2"	28	588 06 97-01	1	Keeper, Spring	45	588 07 32-08	2	Washer Flt .38 x .875
12	588 07 29-01	2	Tube, Caster Axle	29	588 07 23-01	1	Spring, Compress	46	588 07 32-01	2	Washer 3/4 x 1.3125
13	588 06 86-02	3	Fitting 1/4-28 Zerk	30	588 06 47-29	2	Bolt .62-11 x 1 1/2 Gr8	47	588 07 32-13	6	Washer Flt 1 1/2 x 1/4
14	588 07 24-01	2	Strut, Front	31	588 06 47-13	1	Bolt .38-16 x 2 3/4 Hex	48	588 07 32-10	1	Washer Flt .406
15	588 06 50-01	4	Bearing, Flg	32	588 06 47-17	2	Bolt .62-11 x 2 Gr8	49	588 07 32-09	1	Washer Flt
16	588 06 74-01	2	Yoke, Caster Org	33	588 06 47-05	2	Bolt .31-18 x 1 Hex		Not Shown		
17	588 06 95-02	1	Arm, Idler w/ Offset	34	588 06 47-09	2	Bolt .38-16 x 1 1/4 Hex		588 16 17-01	1	Kit, Mulch w/ blades 36"
									588 63 27-01	1	Blade, Mulch

MOWER DECK / CUTTING DECK

Parts List No. 115 73 96-27		 Husqvarna® PARTS LIST	Model W448
Date 2015-02-28	Replaces		Rev. B

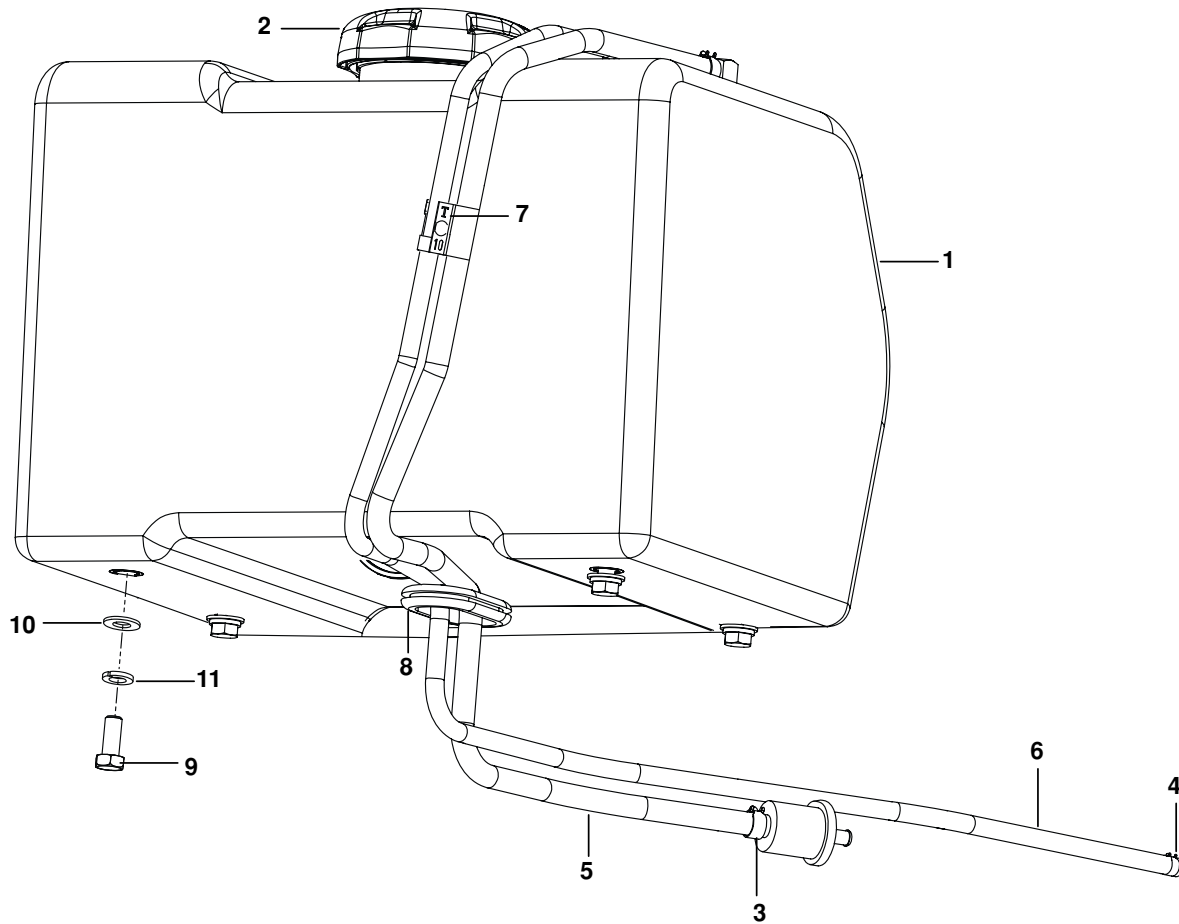
NOTE : Illustration may differ from actual model due to design changes.



Ref.	Part No.	Qty	Description	Ref.	Part No.	Qty	Description	Ref.	Part No.	Qty	Description
1	588 06 32-01	1	Deck w/ Safety Decals	21	588 07 13-02	1	Pulley Cntr Spn Dbl Bolt	41	588 06 47-17	3	Bolt .62-11 x 2 Gr8
2	588 06 45-01	3	Blade, 16½ Lo-Lift	22	588 07 13-03	1	Pulley RH Spn Dbl Bolt	42	588 06 47-21	8	Bolt .38-16 x 1 Rd Hd
3	588 06 40-02	1	Belt, HB 51.4 El Amd	23	588 07 13-04	1	Pulley, Flat 5" w/ Bearing	43	588 06 47-23	2	Bolt .31-18 x 1¼ Rd Hd
4	588 06 40-04	1	Belt, HB Wrapped	24	588 07 13-06	1	Pulley, Spindle 5¼ x ¼	44	588 06 47-24	2	Bolt .31-18 x 1½ Rd Hd
5	588 06 75-01	1	Chute, Discharge Rubber	25	588 07 13-05	1	Pulley, V-Belt 5"	45	588 06 47-27	2	Bolt .38-16 x 3½ Rd Hd
6	588 06 65-02	1	Bracket, Mount Gry	26	588 06 36-01	3	Spindle Assy	46	588 06 47-28	3	Bolt ½-13 x 1¼ Rd Hd
7	588 06 65-03	1	Bracket, Pivot Org	27	588 22 72-01	2	Bushing, Slv Rev	47	588 07 03-01	3	Nut ¾-16 Lk Crown
8	588 06 65-01	1	Bracket, Discharge Gry	28	588 06 68-04	2	Bushing, .380 x 1	48	588 22 74-01	2	Nut, Rtnr .375-16 x .37
9	588 06 48-01	2	Bracket, Idler	29	588 06 68-05	2	Bushing, 1.03 x 1½	49	588 07 06-09	6	Nut .31-18 Lk Nyl Flg
10	588 06 82-01	12	C-Spacer, 1 x ½	30	588 06 50-02	4	Bearing, Flg Fluted	50	588 07 06-10	34	Nut .38-16 Lk Nyl Flg
11	588 07 08-01	2	Pin, Lnc 2"	31	588 06 96-01	2	J-Bolt ¾-16	51	588 07 06-11	5	Nut ½-13 Lk Nyl Flg
12	588 07 29-01	2	Tube, Caster Axle	32	588 06 97-01	2	Keeper, Spring	52	588 07 32-09	2	Washer Flt .380 x 1½
13	588 06 86-02	4	Fitting ¼-28 Grease Zerk	33	588 07 23-01	2	Spring, Compression	53	588 07 32-13	9	Washer Flt 1½ x ¼
14	588 07 24-01	2	Strut, Front	34	588 06 47-05	2	Bolt .31-18 x 1 Hex	54	588 07 32-12	5	Washer Flt ½ x 1¼
15	588 06 50-01	4	Bearing, Flange	35	588 06 47-09	2	Bolt .38-16 x 1¼ Hex	55	588 07 32-08	2	Washer Flt .38 x .875
16	588 06 74-01	2	Yoke, Caster Org	36	588 06 47-30	1	Bolt .38-16 x 2½ Hex	56	588 07 32-10	2	Washer Flt .406 x .812
17	588 06 95-02	1	Arm, Idler w/ Offset	37	588 06 47-13	1	Bolt .38-16 x 2¾ Hex	57	588 07 32-20	5	Washer Lk ½ x .125
18	588 06 95-01	1	Arm, Idler	38	588 06 47-15	5	Bolt ½-13 x 1¼ Hex	58	588 07 32-01	3	Washer ¾ x 1.3125
19	588 22 73-01	1	Shield 48"	39	588 06 47-16	2	Bolt ½-13 x 5½ Hex		Not Shown		
20	588 06 99-01	2	Knob ¾-16 x ¾	40	588 06 47-29	3	Bolt .62-11 x 1½ Gr8		588 19 04-01	1	Kit, Mulch w/ Blades 48"
									588 63 28-01	1	Blade, Mulch

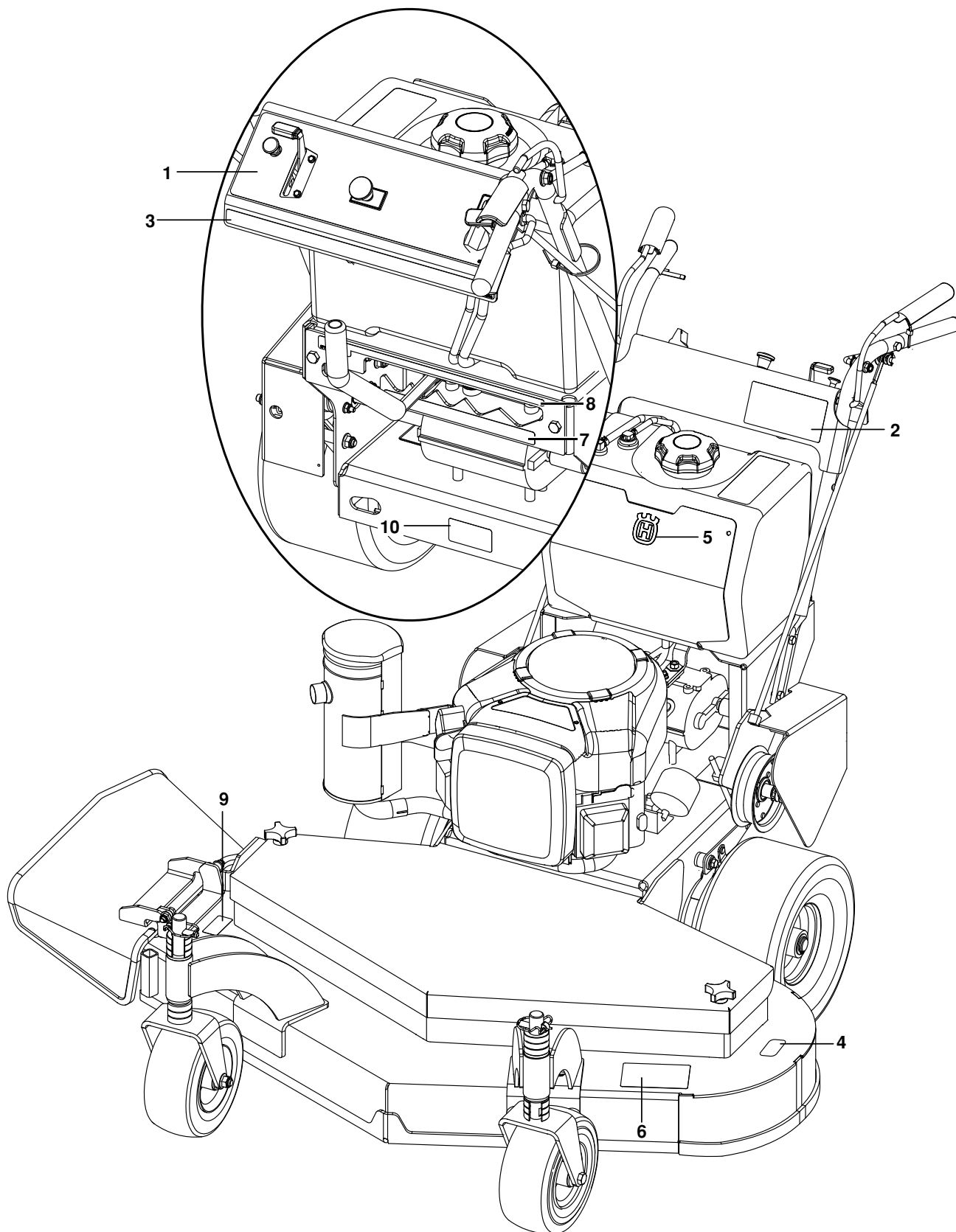
FUEL SYSTEM

Parts List No. 115 73 96-27		Husqvarna® PARTS LIST	Model W436 W448
Date 2015-02-28	Replaces		NOTE : Illustration may differ from actual model due to design changes.



Ref.	Part No.	Qty	Description	Ref.	Part No.	Qty	Description	Ref.	Part No.	Qty	Description
1	588 07 27-01	1	Tank, Fuel	5	588 06 94-01	1	Hose, Fuel 1/4" x 32 3/4"	9	588 06 47-07	4	Bolt .38-16 x 3/4 Hex
2	588 06 73-02	1	Cap, Fuel	6	588 06 94-02	1	Hose, Vapor 3/16" x 43"	10	588 07 32-10	4	Washer Fl .406 x .812
3	588 06 76-01	2	Clamp, Fuel Line	7	588 06 77-01	1	Clip-T	11	588 07 32-19	4	Washer, Lk .38 x .094
4	588 06 76-02	2	Clamp, Hose	8	588 06 88-01	1	Grommet				

Parts List No. 115 73 96-27		Husqvarna ® PARTS LIST	Model W436 W448
Date 2015-02-28	Replaces		NOTE : Illustration may differ from actual model due to design changes.



Ref.	Part No.	Qty	Description	Ref.	Part No.	Qty	Description	Ref.	Part No.	Qty	Description
1	588 06 83-01	1	Decal, Console	5	588 06 83-09	1	Decal, Husq Crown		Not Shown		
2	588 06 83-02	1	Decal, Cons W436	6	588 06 83-12	2	Decal, Sfty Deck	588 06 83-07		1	Decal, Belt Rte 36"
	588 06 83-03	1	Decal, Cons W448	7	588 06 83-13	1	Decal, Disengage	588 06 83-08		1	Decal, Belt Rte 48"
3	588 06 83-04	1	Decal, Steering	8	588 06 83-14	1	Decal, Indicator				
4	588 06 83-05	1	Decal, Deck 36" Husq	9	588 06 83-10	1	Decal, Sfty Guard				
	588 06 83-06	1	Decal, Deck 48" Husq	10	588 06 83-11	1	Decal, Sfty Guard				