

Honeywell Standby Generators

9 & 11 kW

Air-Cooled Generator Sets

Standby Power Rating

Model G007057-1 (Aluminum - Dark Gray) - 9 kW 60 Hz

Model G007058-1 (Aluminum - Dark Gray) - 11 kW 60 Hz

Includes

- PrecisionPower™ Electrical Technology
- Two-Line LCD Multilingual Digital Controller (English/Spanish/French/Portuguese)
- Standard Wi-Fi™ Remote Monitoring
- Electronic Governor
- System and Status & Maintenance Interval LED Indicators
- Flexible Fuel Line Connector
- WhisperCheck™ Exercise (11 kW only)
- Direct-To-Dirt Composite Pad
- Aluminum Enclosure
- Base Fascia
- Natural Gas or LP Gas Operation



*Assembled in the USA using domestic and foreign parts

- 5 Year Premium Limited Warranty
 - Listed and Labeled by the Southwest Research Institute allowing installation as close as 18" (457 mm) to a structure.*
- *Must be located away from doors, windows, and fresh air intakes and in accordance with local codes.

https://assets.swri.org/library/DirectoryOfListedProducts/ConstructionIndustry/973_DoC_204_13204-01-01_Rev8.pdf

FEATURES & BENEFITS

- **INNOVATIVE DESIGN & RIGOROUS TESTING** are at the heart of Honeywell's success in providing the most reliable generators possible. Honeywell generators use Generac's industry-leading G-Force engine lineup for added peace of mind and reliability when you need it the most. The G-Force series of engines are purpose-built and designed to handle the rigors of extended run times in high temperatures and extreme operating conditions.
- **TEST CRITERIA**
 - PROTOTYPE TESTED
 - SYSTEM TORSIONAL TESTED
 - NEMA MG1-22 EVALUATION
 - MOTOR STARTING ABILITY
- **PRECISIONPOWER™ ELECTRICAL TECHNOLOGY** Superior harmonics and sine wave form produce less than 5% Total Harmonic Distortion for utility quality power. This allows confident operation of sensitive electronic equipment and micro-chip based appliances, such as variable speed HVAC.
- **COMPENSATED VOLTAGE REGULATION** This state-of-the-art power maximizing regulation system is standard on all Honeywell models. It provides optimized FAST RESPONSE to changing load conditions and MAXIMUM MOTOR STARTING CAPABILITY by electronically torque-matching the surge loads to the engine. Digital voltage regulation at $\pm 1\%$.
- **SINGLE SOURCE SERVICE RESPONSE** from our extensive dealer network provides parts and service know-how for the entire unit, from the engine to the smallest electronic component.
- **Honeywell TRANSFER SWITCHES** The Honeywell generator line includes its own transfer systems and controls for total system compatibility.

9 & 11 kW

Technical Specifications

ENGINE

WhisperCheck (11kW only): Greatly reduces sound output and fuel consumption during bi-weekly exercise.

Generac G-Force design: Maximizes engine "breathing" for increased fuel efficiency. Plateau honed cylinder walls and plasma moly rings help the engine run cooler, reducing oil consumption resulting in longer engine life.

"Spiny-lok" cast iron cylinder walls: Rigid construction and added durability provide long engine life.

Electronic ignition/spark advance: These features combine to assure smooth, quick starting every time.

Full pressure lubrication system: Pressurized lubrication to all vital bearings means better performance, less maintenance and longer engine life. Now featuring up to a 2 year/200 hour oil change interval.

Low oil pressure shutdown system: Shutdown protection prevents catastrophic engine damage due to low oil.

High temperature shutdown: Prevents damage due to overheating.

GENERATOR

Revolving field: Allows for a smaller, light weight unit that operates 25% more efficiently than a revolving armature generator.

Skewed stator: Produces a smooth output waveform for compatibility with electronic equipment.

Displaced phase excitation: Maximizes motor starting capability.

Automatic voltage regulation: Regulates the output voltage to $\pm 1\%$; prevents damaging voltage spikes.

UL 2200 Listed: For your safety.

MOBILE LINK™ REMOTE MONITORING

Free with every Honeywell Series Home standby generator.

Allows you to monitor the status of your generator from anywhere in the world using a smartphone, tablet, or PC. Easily access information, such as the current operating status and maintenance alerts. Connect your account to your authorized service dealer for fast, friendly and proactive service. With Mobile Link, you are taken care of before the next power outage.

Ability to view generator status: Monitor your generator via your smartphone, tablet, or computer at any time via the Mobile Link application for complete peace of mind.

Ability to view generator Exercise/Run and Total Hours: Review the generator's complete protection profile for exercise hours and total hours.

Ability to view generator maintenance information: Provides maintenance information for your specific model generator when scheduled maintenance is due.

Monthly report with previous month's activity: Detailed monthly reports provide historical generator information.

Ability to view generator battery information: Built-in battery diagnostics display current state of the battery.

Weather information: Provides detailed local ambient weather conditions for generator location.

TRANSFER SWITCH

Sold separately.

SYNC™ 3.0 CONTROLS

Auto/Manual/Off illuminated buttons: Selects the operating mode and provides easy, at a glance status indication of any condition.

Two-line LCD multilingual display: Provides homeowners easily visible logs of history, maintenance, and events up to 50 occurrences.

Sealed, raised buttons: Smooth, weather-resistant user interface for programming and operations.

Utility voltage sensing: Constantly monitors utility voltage, setpoints 65% dropout, 80% pick-up of standard voltage.

Generator voltage sensing: Constantly monitors generator voltage to ensure the cleanest power delivered to the home.

Utility interrupt delay: Prevents nuisance start-ups of the engine, adjustable 2-1500 seconds from the factory default setting of five seconds by a qualified dealer.

Engine warm-up: Ensures engine is ready to assume the load, setpoint approximately five seconds.

Engine cool-down: Allows engine to cool prior to shutdown, setpoint approximately one minute.

Programmable exerciser: Operates engine to pre-vent oil seal drying and damage between power outages by running the generator for five minutes every other week. Also offers a selectable setting for weekly or monthly operation providing flexibility and lower fuel costs to the owner.

Smart battery charger: Delivers charge to the battery only when needed at varying rates depending on outdoor air temperature. Compatible with lead acid and AGM-style batteries.

Electronic governor: Maintains constant 60 Hz frequency.

UNIT

SAE aluminum weather protective enclosure: Sound attenuated enclosures ensure quiet operation and weather protection, able to withstand winds up to 150 mph (241 kph). Hinged key locking roof panel for security. Lift-out front panel for easy access to all routine maintenance items. Electrostatically applied textured epoxy paint for added durability.

Enclosed critical grade muffler: Quiet, critical grade muffler is mounted inside the unit to prevent injuries.

Small, compact, attractive: Makes for an easy, eye appealing installation, as close as 18" (457 mm) away from building.

INSTALLATION SYSTEM

1 ft (305 mm) flexible fuel line connector: Absorbs any generator vibration when connected to rigid pipe.

Direct-to-dirt composite pad: Complex lattice design prevents settling or sinking of the generator system.

Integral sediment trap: Prevents particles and moisture from entering fuel regulator and engine, prolonging engine life.

9 & 11 kW

Application & Engineering Data

GENERATOR	MODEL G007057-1 (9 KW)	MODEL G007058-1 (11 KW)
Rated Maximum Continuous Power Capacity (LP)	9,000 Watts*	11,000 Watts*
Rated Maximum Continuous Power Capacity (NG)	8,000 Watts*	10,000 Watts*
Rated Voltage	240	240
Rated Maximum Continuous Load Current – 240 V (LP/NG)	37.5/33.3	45.8/41.7
Total Harmonic Distortion	Less than 5%	Less than 5%
Main Line Circuit Breaker	40 Amp	50 Amp
Phase	1	1
Number of Rotor Poles	2	2
Rated AC Frequency	60 Hz	60 Hz
Power Factor	1.0	1.0
Battery Requirement (not included)	12 Volts, Group 26R 540 CCA Minimum or Group 35AGM 650 CCA Minimum	
Unit Weight (lb/kg)	340/154	348/158
Dimensions (L x W x H) in/mm	48 x 25 x 29 / 1218 x 638 x 732	
Sound output in dB(A) at 23 ft (7 m) with generator operating at normal load**	63	64
Sound output in dB(A) at 23 ft (7 m) with generator in WhisperCheck™ low speed exercise mode**	54	58

ENGINE		
Type of Engine	GENERAC G-FORCE 400 SERIES	GENERAC G-FORCE 500 SERIES
Number of Cylinders	1	2
Displacement	426 cc	530 cc
Cylinder Block	Aluminum w/ Cast Iron Sleeve	Aluminum w/ Cast Iron Sleeve
Valve Arrangement	Overhead Valve	Overhead Valve
Ignition System	Solid-state w/ Magneto	Solid-state w/ Magneto
Governor System	Electronic	Electronic
Compression Ratio	9.0:1	9.5:1
Starter	12 VDC	12 VDC
Oil Capacity Including Filter	Approx. 1.1 qt/1.0 L	Approx. 1.7 qt/1.6 L
Operating RPM	3,600	3,600
Fuel Consumption		
Natural Gas	ft ³ /hr (m ³ /hr)	
	1/2 Load	90 (2.55)
	Full Load	120 (3.40)
Liquid Propane	ft ³ /hr (gal/hr) [l/hr]	
	1/2 Load	32 (0.87) [3.29]
	Full Load	50 (1.37) [5.20]

Note: Fuel pipe must be sized for full load. Required fuel pressure to generator fuel inlet - 3.5-7" water column (7-13 mm mercury) for natural gas, 10-12" water column (19-22 mm mercury) for LP gas. For BTU content, multiply ft³/hr x 2500 (LP) or ft³/hr x 1000 (NG). For Megajoule content, multiply m³/hr x 93.15 (LP) or m³/hr x 37.26 (NG)

CONTROLS		
Two-Line Plain Text Multilingual LCD Display	Simple user interface for ease of operation.	
Mode Buttons:	Auto	Automatic Start on Utility failure. 7 day exerciser.
	Manual	Start with starter control, unit stays on. If utility fails, transfer to load takes place.
	Off	Stops unit. Power is removed. Control and charger still operate.
Ready to Run/Maintenance Messages	Standard	
Engine Run Hours Indication	Standard	
Programmable start delay between 2-1500 seconds	Standard (programmable by dealer only)	
Utility Voltage Loss/Return to Utility Adjustable (Brownout Setting)	From 140-171 V/190-216 V	
Future Set Capable Exerciser/Exercise Set Error Warning	Standard	
Run/Alarm/Maintenance Logs	50 Events Each	
Engine Start Sequence	Cyclic cranking: 16 sec on, 7 rest (90 sec maximum duration).	
Starter Lock-out	Starter cannot re-engage until 5 sec after engine has stopped.	
Smart Battery Charger	Standard	
Charger Fault/Missing AC Warning	Standard	
Low Battery/Battery Problem Protection and Battery Condition Indication	Standard	
Automatic Voltage Regulation with Over and Under Voltage Protection	Standard	
Under-Frequency/Overload/Stepper Overcurrent Protection	Standard	
Safety Fused/Fuse Problem Protection	Standard	
Automatic Low Oil Pressure/High Oil Temperature Shutdown	Standard	
Overcrank/Overspeed (@ 72 Hz)/rpm Sense Loss Shutdown	Standard	
High Engine Temperature Shutdown	Standard	
Internal Fault/Incorrect Wiring Protection	Standard	
Common External Fault Capability	Standard	
Field Upgradable Firmware	Standard	

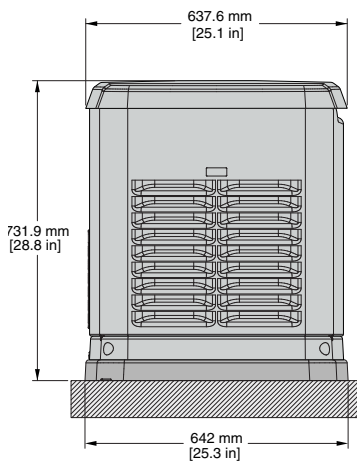
**Sound levels are taken from the front of the generator. Sound levels taken from other sides of the generator may be higher depending on installation parameters. Rating definitions - Standby: Applicable for supplying emergency power for the duration of the utility power outage. No overload capability is available for this rating. (All ratings in accordance with BS5514, ISO3046 and DIN6271). * Maximum wattage and current are subject to and limited by such factors as fuel BTU/megajoule content, ambient temperature, altitude, engine power and condition, etc. Maximum power decreases about 3.5 percent for each 1,000 feet (304.8 meters) above sea level; and also will decrease about 1 percent for each 6 °C (10 °F) above 16 °C (60 °F).

9 & 11 kW

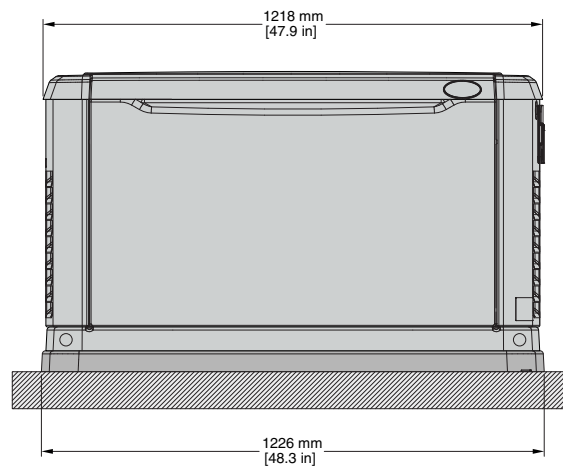
Available Accessories

MODEL #	PRODUCT	DESCRIPTION
G007005-0	Wi-Fi LP Fuel Level Monitor	The Wi-Fi enabled LP fuel level monitor provides constant monitoring of the connected LP fuel tank. Monitoring the LP tank's fuel level is an important step in making sure your generator is ready to run during an unexpected power failure. Status alerts are available through a free application to notify when your LP tank is in need of a refill.
G005819-0	26R Wet Cell Battery	Every standby generator requires a battery to start the system. Generac offers the recommended 26R wet cell battery for use with all air-cooled standby product (excluding PowerPact®).
G007101-0	Battery Pad Warmer	The pad warmer rests under the battery. Recommended for use if the temperature regularly falls below 0°F (-18°C). (Not necessary for use with AGM-style batteries.)
G007102-0	Oil Warmer	Oil warmer slips directly over the oil filter. Recommended for use if the temperature regularly falls below 0°F (-18°C).
G007103-1	Breather Warmer	The breather warmer is for use in extreme cold weather applications. For use with Sync™ controllers only in climates where heavy icing occurs.
G005621-0	Auxiliary Transfer Switch Contact Kit	The auxiliary transfer switch contact kit allows the transfer switch to lock out a single large electrical load you may not need.
G006160-0	Paint Kit	If the generator enclosure is scratched or damaged, it is important to touch up the paint to protect from future corrosion. The paint kit includes the necessary paint to properly maintain or touch up a generator enclosure.
G006482-0 (9 kW) G006483-0 (11 kW)	Scheduled Maintenance Kit	Scheduled maintenance kits provide all the hardware necessary to perform complete routine maintenance on a Honeywell automatic standby generator.
G006874-0	Smart Management Module (50 Amps)	Manage large loads by utilizing up to 8 individual Smart Management modules. These devices are installed directly in line with existing appliance wiring for easy installation.

Dimensions & UPCs



LEFT SIDE VIEW



FRONT VIEW

MODEL	UPC
G007057-1	696471074222
G007058-1	696471074239

Generac Power Systems, Inc.

S45 W29290 Hwy. 59
Waukesha, WI. 53189
1.855.GEN.INFO
www.honeywellgenerators.com
Part No. 10000000217

©Generac Power Systems, Inc. All rights reserved.
Specifications subject to change without notice.

The Honeywell trademark is used under license from Honeywell International Inc.
Honeywell International Inc. makes no representation or warranties with respect to this product.
This product is manufactured by Generac Power Systems, Inc., Waukesha, WI. 53187, USA.

Revision E (03/29/18)

Honeywell