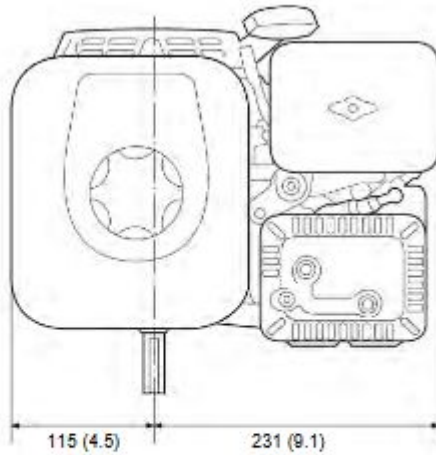


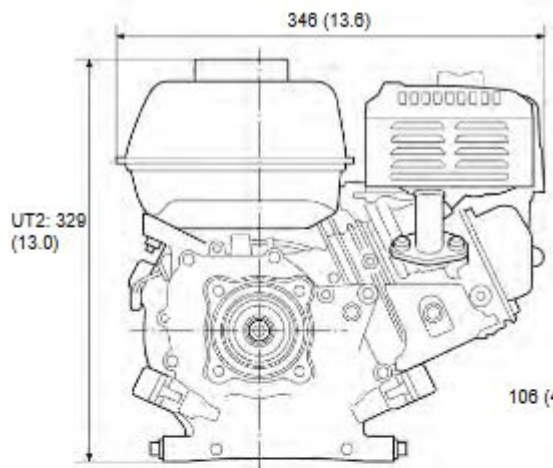
GX120 (WITHOUT REDUCTION)

Unit: mm (in)

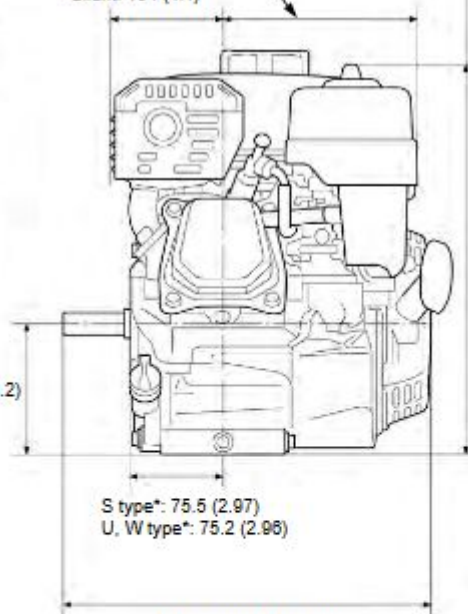


Dual/dual silent: 160 (6.3)
 Cyclone: 166 (6.5)
 Oil bath: 157 (6.2)
 Semi dry: 156 (6.1)

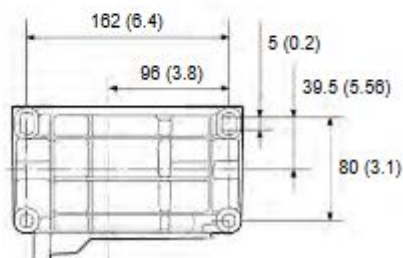
Dual/dual silent: 317 (12.5)
 Cyclone/Oil bath: 330 (13.0)
 Semi dry: 314 (12.4)



Standard: 91 (3.6)
 Silent: 104 (4.1)



S type*: 75.5 (2.97)
 U, W type*: 75.2 (2.96)



P type*: 305.5 (12.03)
 Q type*: 305.5 (12.03)
 S type*: 297 (11.7)
 T type*: 305.5 (12.03)
 U type*: 309.8 (12.20)
 V type*: 315.5 (12.42)
 W type*: 317.5 (12.50)