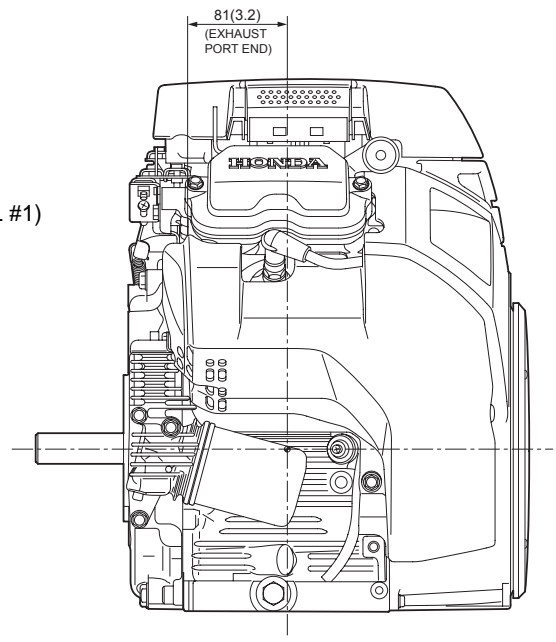
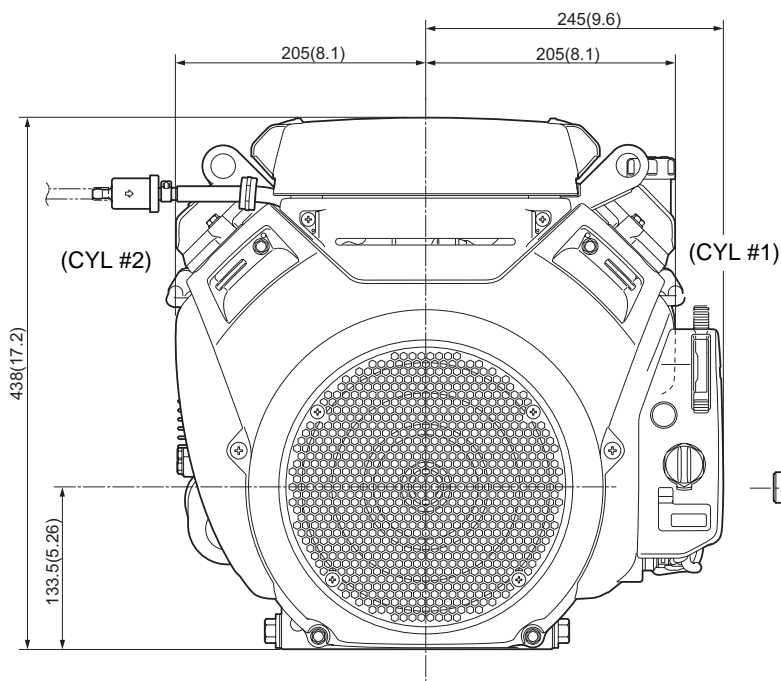
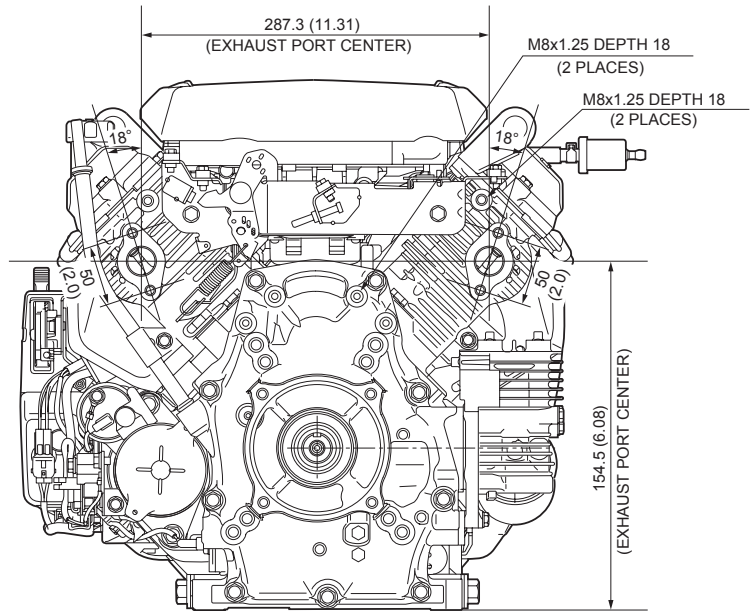
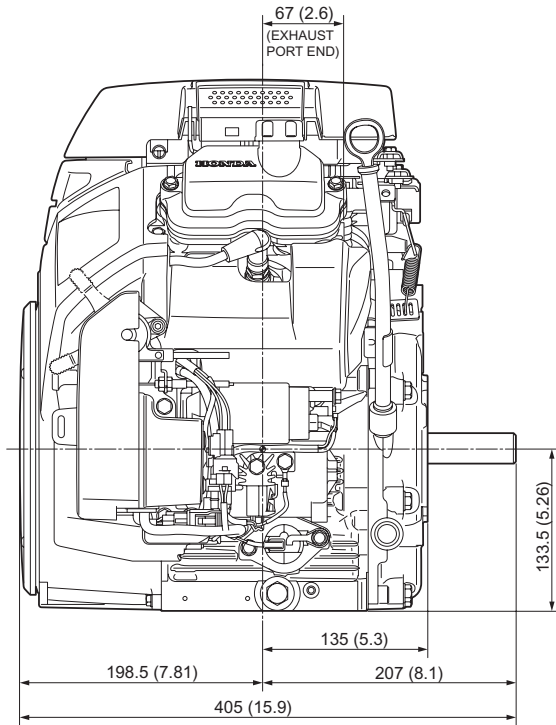


# HONDA ENGINES

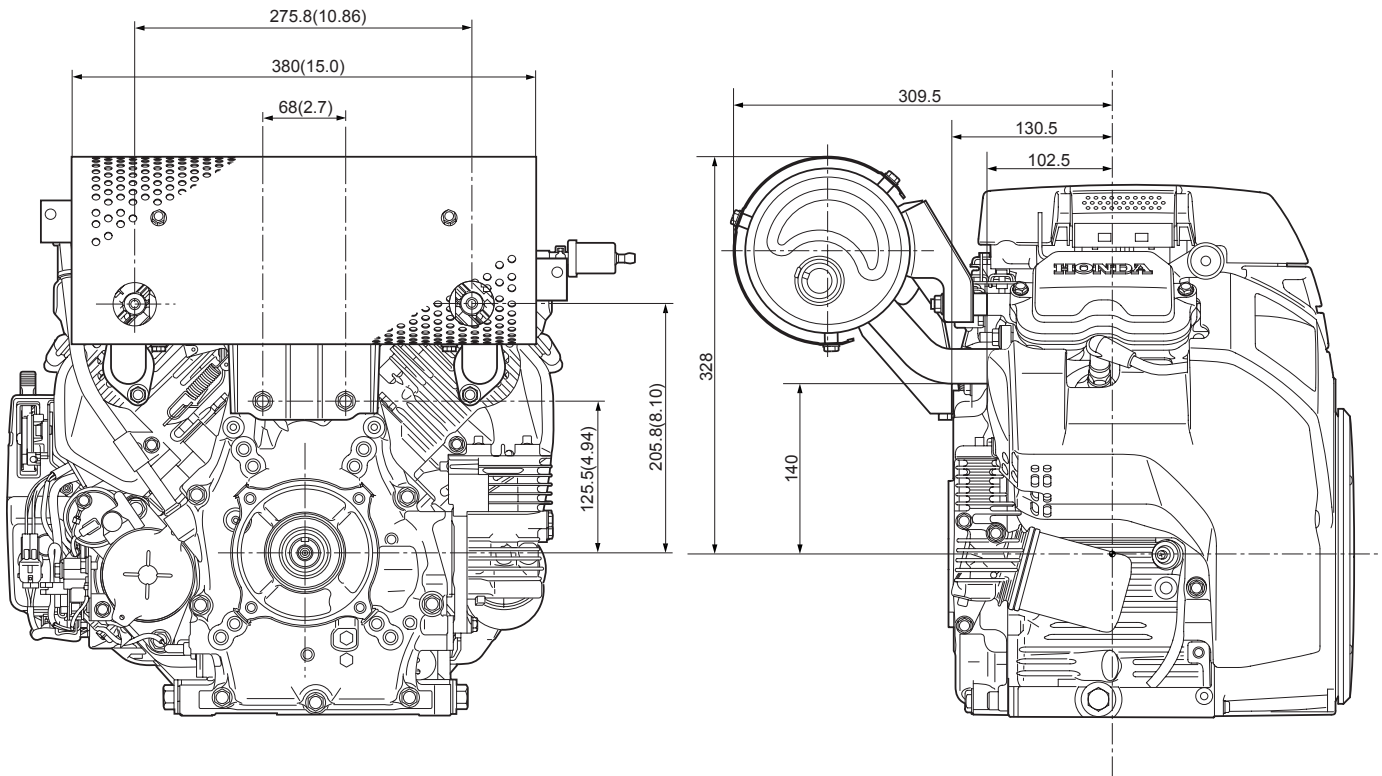
## DIMENSIONAL DRAWINGS GX630 • GX660 • GX690

Unit: mm (in)

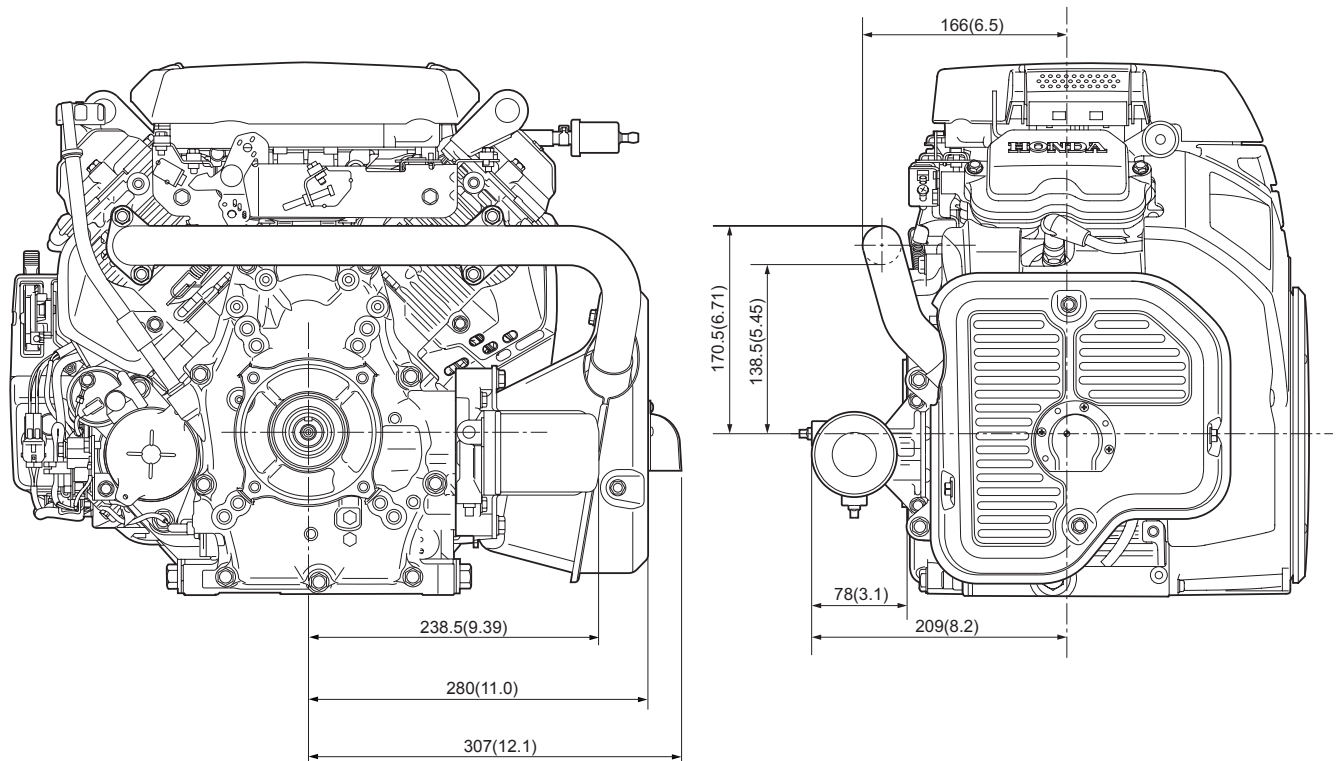


## HIGH MOUNT MUFFLER TYPE

Unit: mm (in)



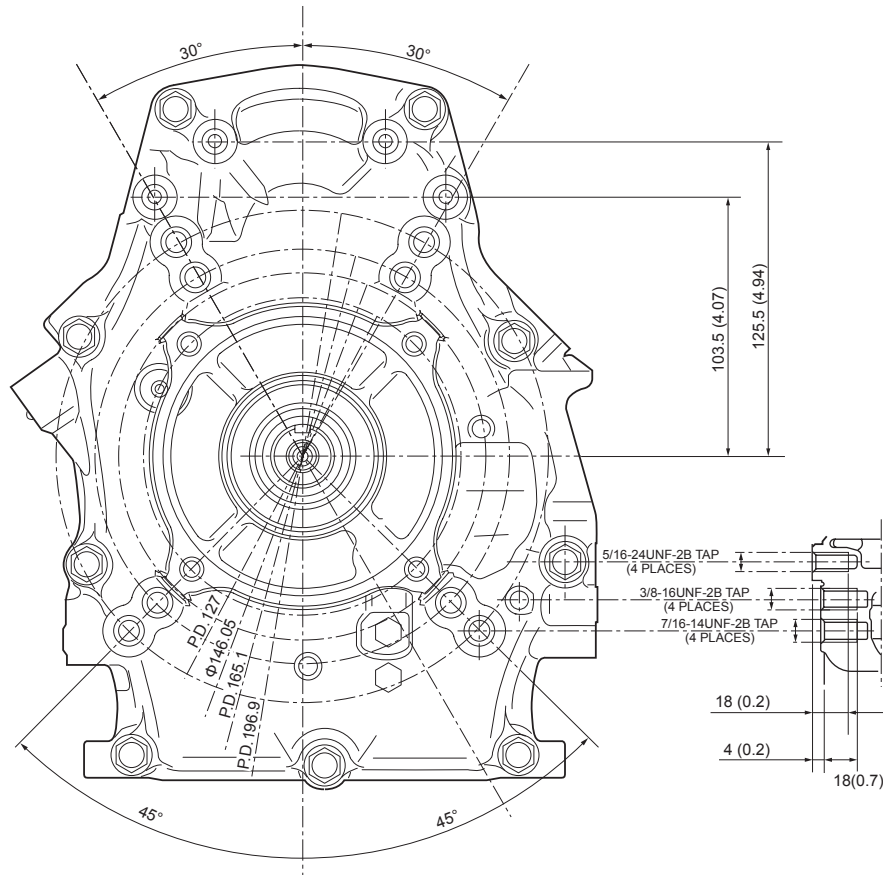
## SIDE MOUNT MUFFLER TYPE



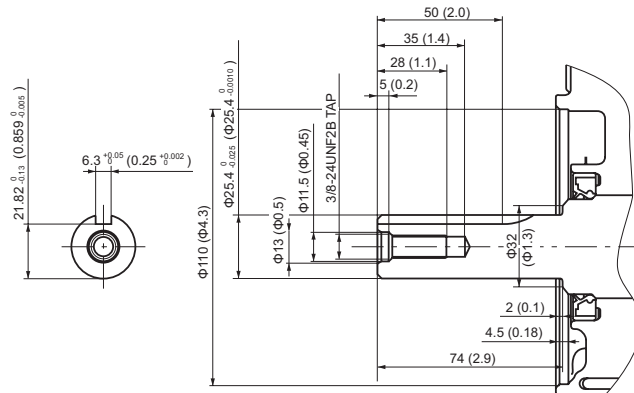
# PTO DIMENSIONAL DRAWINGS

## MOUNT PART

Unit: mm (in)

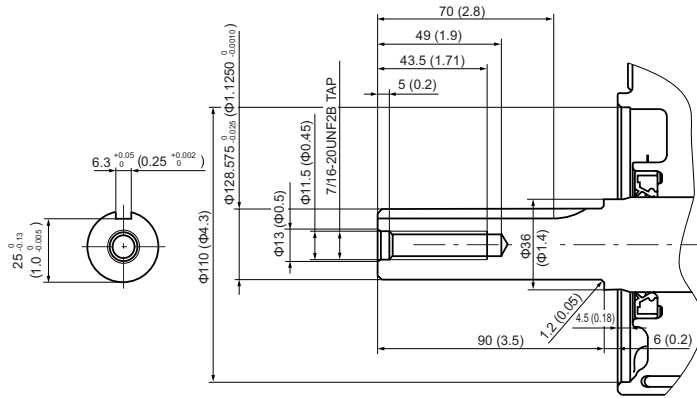


## Q TYPE

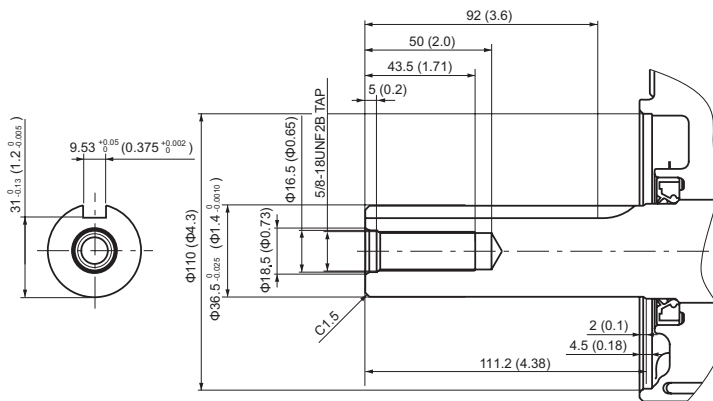


# T TYPE

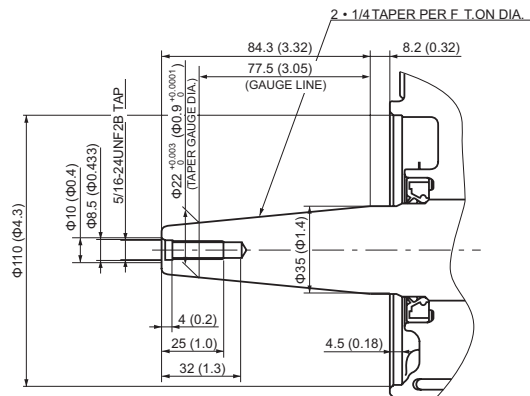
Unit: mm (in)



# B TYPE

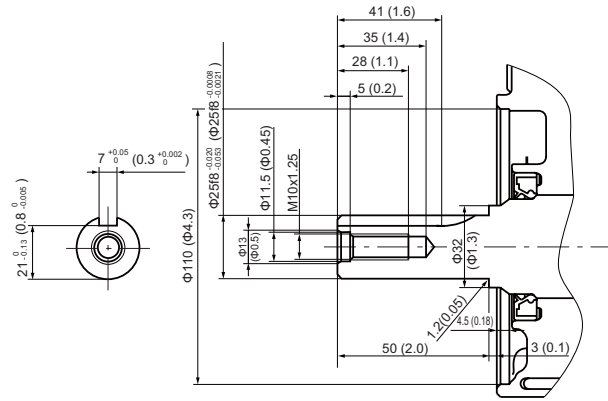


# V TYPE

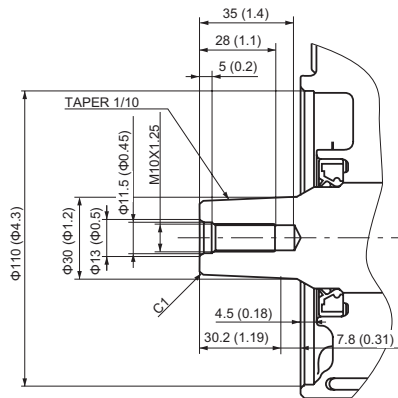


**S TYPE**

Unit: mm (in)



**DEN TYPE**



**ENGINE BASE MOUNT DIMENSIONAL DRAWING**

