



GSP0311

CAST IRON SUMP AND EFFLUENT PUMP

Built with high quality materials to keep you and your basement dry.



MATERIALS OF CONSTRUCTION

Part Name	Material
Impeller	Thermoplastic (Nylon)
Casing	Cast Iron Motor Housing
Base/Volute/Strainer	Thermoplastic
Motor Adapter	Cast Iron
Mechanical Seal	Silicon Carbide/Carbon/BUNA
Cord	18 AWG, SJTW
Mechanical Switch	cURus listed, 15A, 125V
Fasteners	Stainless Steel
Handle	Stainless Steel
Float Bracket	Stainless Steel

FEATURES

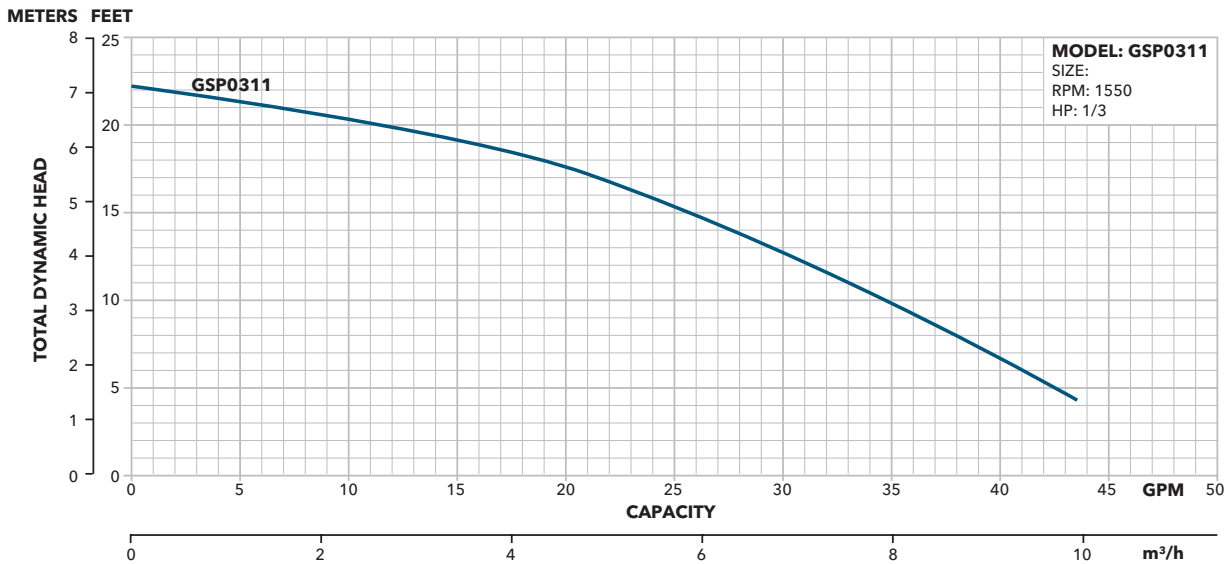
- Premium quality pump to keep your basement dry
- Reliable Mechanical switch coupled with solid float for dependable performance
- Cast Iron Motor Housing allowing for optimal heat dissipation
- Approved for Residential use (CSA/CUS Listed).
- Premium Mechanical Seal design provides superior protection against sand and abrasive damage (Silicon Carbide/Carbon/BUNA)
- Engineered motor designed for peak hydraulic performance without overloading.
- Suction Strainer encompasses entire base - designed to reduce debris entry
- Corrosion resistant hardware for lifetime use
- 2 year warranty

PERFORMANCE RATINGS

Total Head (feet of water)	GPM	GPH
5	42	2520
10	35	2100
15	26	1560
20	11	660

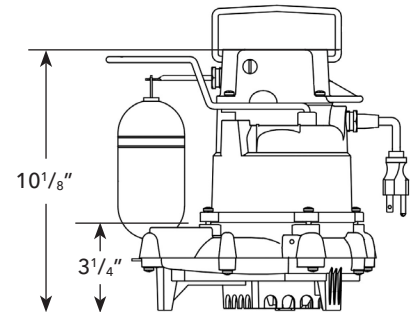
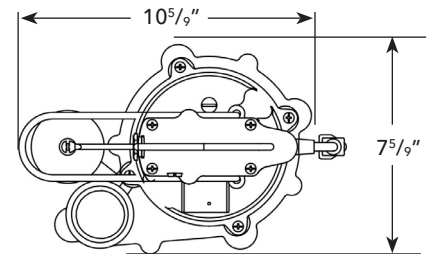
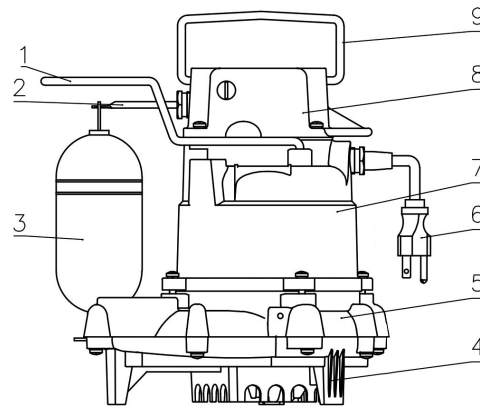


GSP03 PERFORMANCE CURVE



COMPONENTS


Item No.	Description
1	Float Bracket
2	Float Rod
3	Float
4	Base
5	Seal Housing
6	Plug
7	Motor Dome
8	Mechanical Switch Housing
9	Handle



PRODUCT SPECIFICATIONS

Model	Part No.	HP	Volts	Amps	Minimum Circuit Breaker	Phase	Float Switch Style	Cord Length	Discharge Connection	Minimum On Level	Minimum off Level	Minimum Basin Diameter	Max. Solids Size	Shipping Weight
GSP	GSP0311	1/3	115	10	15A	1	Vertical	9'	1 1/2"	7 1/4"	3 1/2"	1'	1/2"	27 lbs
GSP	GSP0311M	1/3	115	10	15A	1	Not Supplied	9'	1 1/2"	-	-	1'	1/2"	27 lbs

AGENCY LISTINGS

 Tested to UL778 CAN 22.2 by
 CSA International (Canadian Standards Association)

REPAIR PARTS

Part Description	Part No.	Part
GSP-SWITCH	9K701	Switch Assembly with Gasket and Hardware



Xylem Inc.
 2881 East Bayard Street Ext., Suite A
 Seneca Falls, NY 13148
 Phone: (866) 325-4210 • Fax: (888) 322-5877
www.gouldswatertechnology.com

Goulds is a registered trademark of Goulds Pumps, Inc. and is used under license.
 © 2017 Xylem Inc. SUMP/SALES R3 June 2017