



# EP04 & EP05 Series

## Model 3871

SUBMERSIBLE EFFLUENT PUMPS



### FEATURES

EP04 Impeller: Thermoplastic semi-open design with pump out vanes for mechanical seal protection.

EP05 Impeller: Thermoplastic enclosed design for improved performance.

Casing and Base: Rugged thermoplastic design provides superior strength and corrosion resistance.

Motor Housing: Cast iron for efficient heat transfer, strength, and durability.

Motor Cover: Thermoplastic cover with integral handle and float switch attachment points.

Power Cable: Severe duty rated oil and water resistant.

Bearings: Upper and lower heavy duty ball bearing construction.

### AGENCY LISTINGS



Tested to **UL 778** and **CSA 22.2 108** Standards  
By **Canadian Standards Association**  
File #**LR38549**

### APPLICATIONS

Specifically designed for the following uses:

- Effluent systems
- Homes
- Farms
- Heavy duty sump
- Water transfer
- Dewatering

### SPECIFICATIONS

- Solids handling capability: 3/4" maximum.
- Capacities: up to 60 GPM.
- Total heads: up to 31 feet.
- Discharge size: 1 1/2" NPT.
- Mechanical seal: carbon-rotary/ceramic-stationary, BUNA-N elastomers.
- Temperature:  
104° F (40° C) continuous  
140° F (60° C) intermittent.
- Class B Insulation
- Fasteners: 300 series stainless steel.
- Capable of running dry without damage to components.

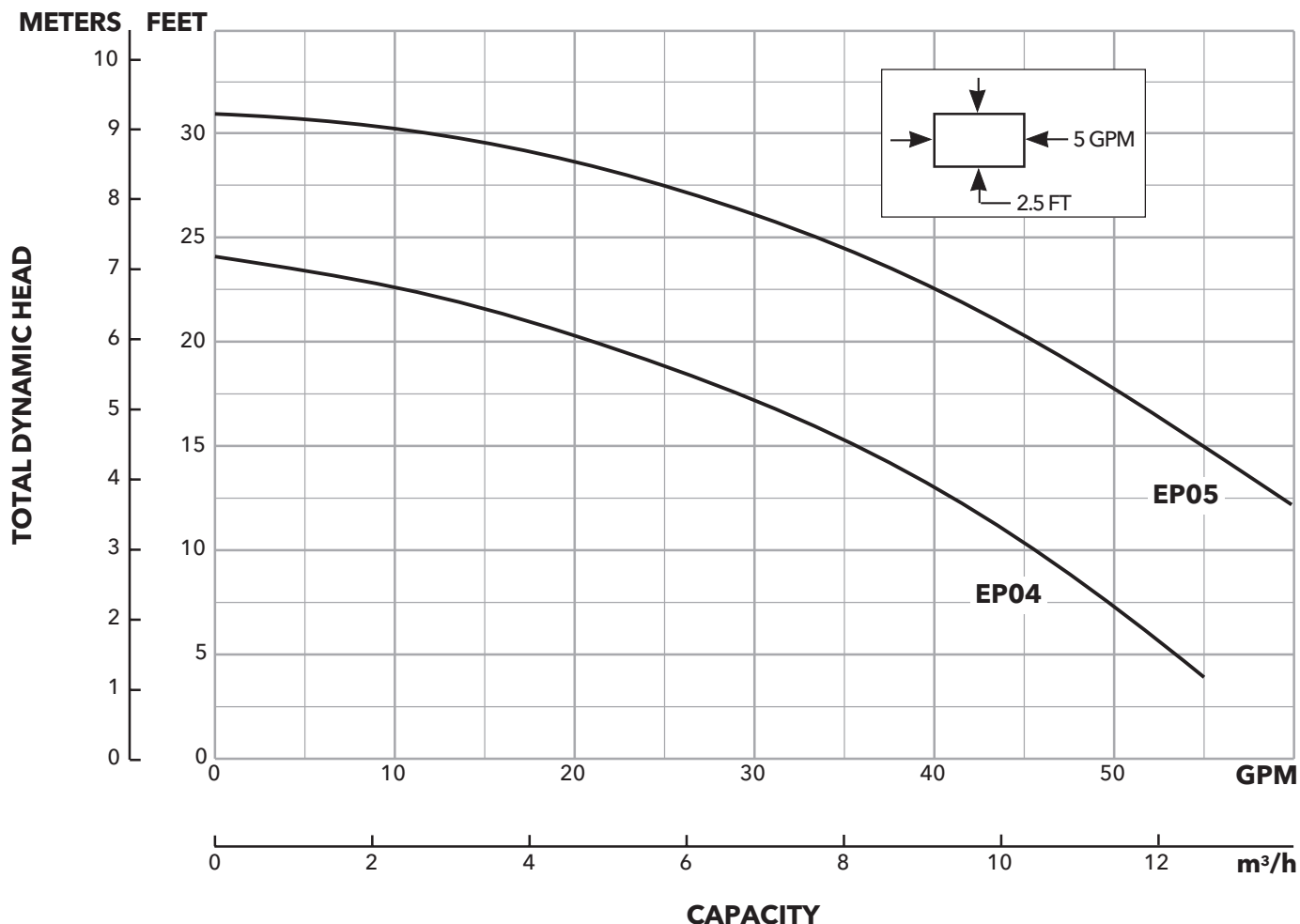
### Motor:

- EP04 Single phase: 0.4 HP, 115 or 230 V, 60 Hz, 1550 RPM, built in overload with automatic reset.
- EP05 Single phase: 0.5 HP, 115 V or 230V, 60 Hz, 1550 RPM, built in overload with automatic reset.
- Power cord: 10 foot standard length, 16/3 SJTW with three prong grounding plug. Optional 20 foot length, 16/3 SJTW with three prong grounding plug (standard on EP05).
- Fully submerged in high grade turbine oil for lubrication and efficient heat transfer.

**Available for automatic and manual operation. Automatic models include Mechanical Float Switch assembled and preset at the factory.**

### PERFORMANCE RATINGS

Total Head (ft. of water)	Gallons Per Minute	
	EP04	EP05
5	53	-
10	46	62
15	36	55
20	21	46
25	0	33
30	-	11

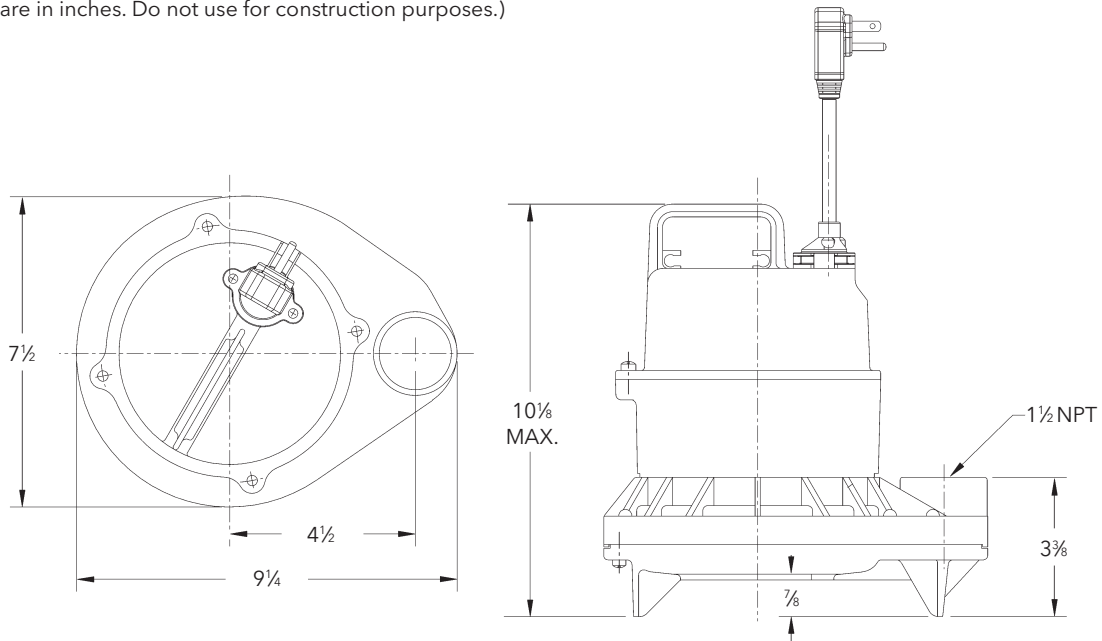


### MODEL INFORMATION

Order Number	HP	Volts	Amps	Minimum Circuit Breaker	Phase	Float Switch Style	Cord Length	Discharge Connection	Minimum On Level	Minimum Off Level	Minimum Basin Diameter	Maximum Solids Size	Shipping Weight lbs.kg			
EP0411	.4	115	12	20	1	Plug / No Switch	10'	1½"	Manual	Manual	15"	¾"	20 / 9.1			
EP0411A						Piggyback / Wide-Angle	10'		12"	6"			21 / 9.5			
EP0411F						Plug / No Switch	20'		Manual	Manual			20 / 9.1			
EP0411AC						Piggyback / Wide-Angle	20'		12"	6"			21 / 9.5			
EP0412	.4	230	6	10		Plug / No Switch	10'		1½"	Manual			Manual	15"	¾"	20 / 9.1
EP0412F						Plug / No Switch	20'			Manual			Manual			20 / 9.1
EP0511F	.5	115	13	20		Plug / No Switch	20'		1½"	Manual			Manual	15"	¾"	22 / 10
EP0511AC						Piggyback / Wide-Angle	20'			12"			6"			23 / 10.4
EP0512F					Plug / No Switch	20'	Manual	Manual		22 / 10						

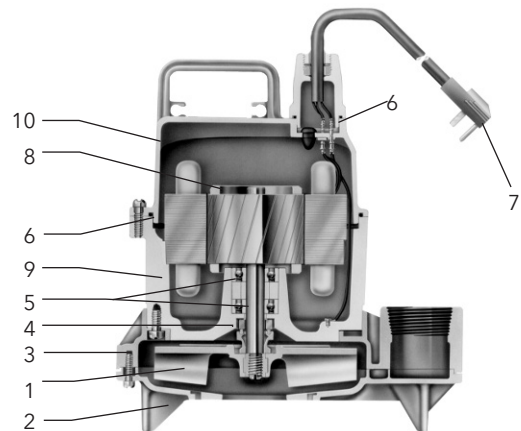
## DIMENSIONS

(All dimensions are in inches. Do not use for construction purposes.)



## COMPONENTS

Item No.	Description
1	Impeller
2	Base
3	Pump casing
4	Mechanical seal
5	Ball bearings
6	O-rings
7	Power cord
8	Oil filled motor
9	Motor housing/stator assembly
10	Motor cover



**xylem**  
Let's Solve Water

Xylem Inc.  
2881 East Bayard Street Ext., Suite A  
Seneca Falls, NY 13148  
Phone: (866) 325-4210  
Fax: (888) 322-5877  
[www.gouldswatertechnology.com](http://www.gouldswatertechnology.com)

Goulds is a registered trademark of Goulds Pumps, Inc. and is used under license.  
© 2016 Xylem Inc. B3871 R2 September 2016