

YETILINK[®]

EXPANSION MODULE

USER GUIDE

 | GOALZERO.

Table of Contents

Important Safety Instructions	1
Get To Know Your Gear	2
How To Install	4
How It Works With Home Energy Storage - TANK MODE	7
How It Works - VEHICLE MODE	11
Charging Indicator Lights	13
Frequently Asked Questions	13
Technical Specifications	15
Français	17
Deutsch	33
Español	49
Italiano	65
Portugués	81
Japanese	97
Suomalainen	113
Nederlands	129
Svenska	145



IMPORTANT SAFETY INSTRUCTIONS



Please save these instructions

Read all the instructions and cautions before beginning installation.

No liability is assumed for damages resulting in the use of the information contained herein.

CAUTION: The Goal Zero Yeti Link outputs very high amperages. Use only with Goal Zero cables. Altered cables or connectors or 3rd Party cables or connectors may be incompatible and may cause damage to components, vehicle or person.

WARNING To reduce risk of fire, injury to persons or damage to property, use only in the manner intended by Goal Zero

Do NOT disassemble or attempt to repair the module.

Do NOT allow water to enter the module, the Goal Zero Yeti Lithium, or the Goal Zero Yeti Tank.

Ensure cable is fully inserted and tightly in place before use. Check upon subsequent uses. For questions, contact Solutions Center at support@goalzero.com or 1-888-794-6250

Do NOT chain third party solar panels or lead acid batteries in series (connecting positive to negative, positive to negative, etc.), as this can result in dangerously high levels of voltage that can cause serious damage to the Yeti Lithium and potential bodily injury.

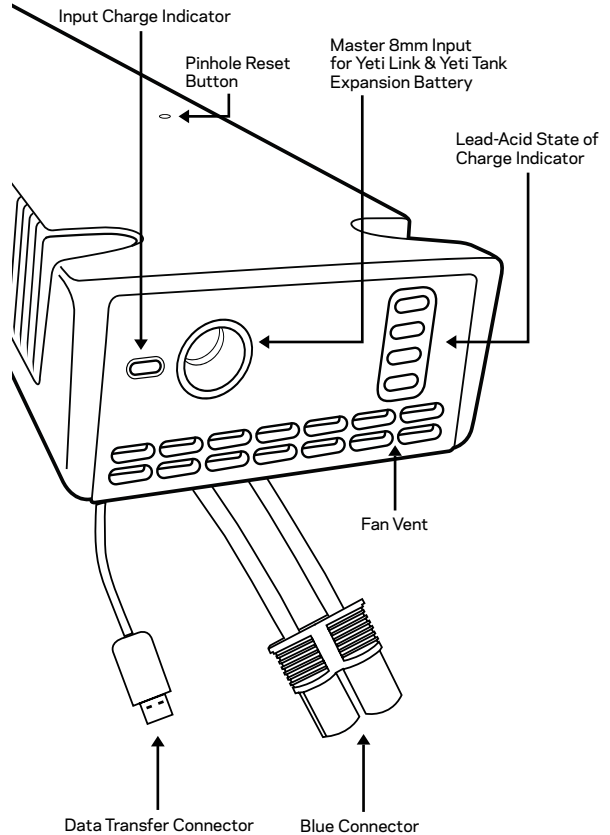
Compatible with Yeti 1000, 1000X, 1400, 1500X, 3000, 3000X, and Yeti 6000X Lithium Power Stations

▲ WARNING: Never connect a power source to the Yeti Link before installing into the Yeti. Always connect the Link to the Yeti before connecting any power source.

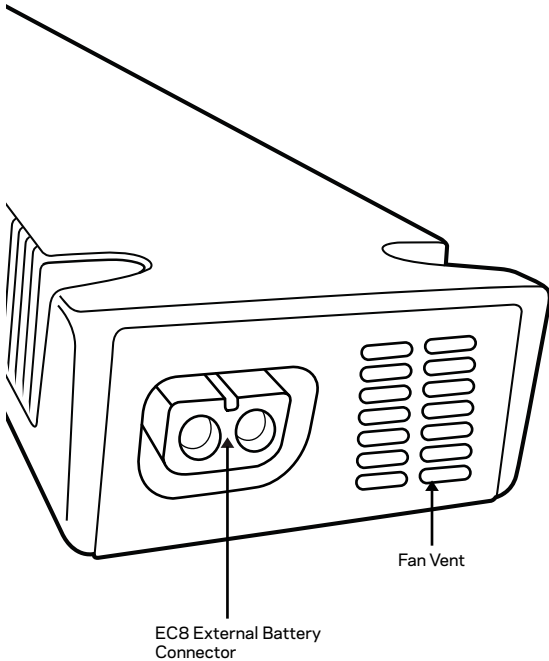
▲ WARNING: Do not exceed 22V input for the Link. Doing so can cause serious damage to the Yeti and potential bodily injury. Take note of voltages when using third party solar panels or third party lead acid batteries with the module. Do not chain solar panels or lead acid batteries in series (positive to negative, positive to negative, etc.), as this can result in dangerously high voltages.

GET TO KNOW YOUR GEAR

Front of Link Expansion Module



Back of Link Expansion module

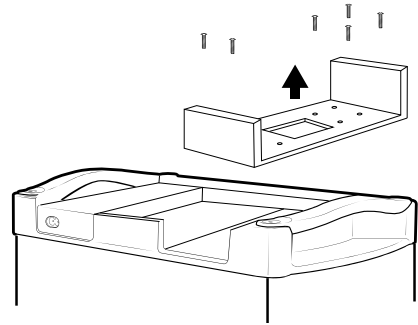


▲ Ensure cable is fully inserted and tightly in place before use. Check upon subsequent uses. For questions, contact Solutions Center at support@goalzero.com or 1-888-794-6250

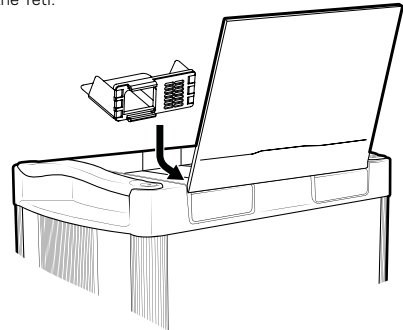
HOW TO INSTALL

Tools you'll need: Phillips Screwdriver

1. Turn off all the output ports and unplug the Yeti from any power source.

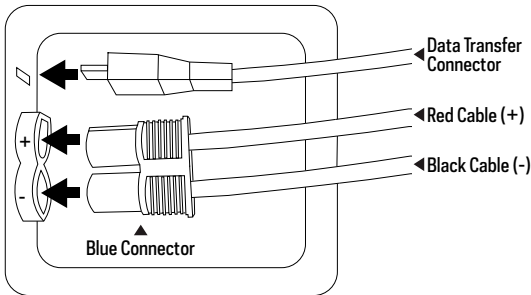


2. Open the lid of the Yeti and remove the expansion module carriage from the Yeti by removing the six screws and sliding out the carriage.
3. Insert the included Link Lock into the opening facing the back of the Yeti and line up the screw holes on the Link Lock with the holes on the Yeti.

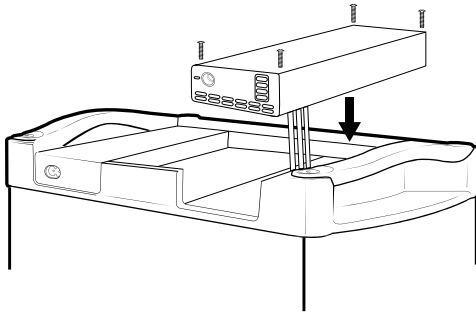


4. Take the blue connector and micro-USB cable on the Link module and insert them into the module and micro-USB ports on the Yeti, matching positive to positive, negative to negative, and micro to micro.

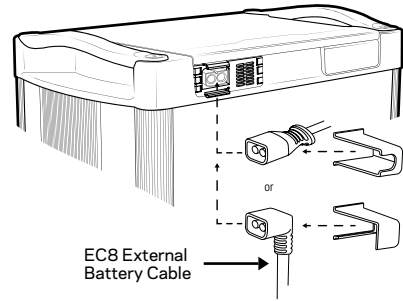
⚠ WARNING: Do not exceed 22V input for the module. Doing so can cause serious damage to the Yeti and potential bodily injury. Take note of voltages when using third party solar panels with the module. Do not chain solar panels in series (positive to negative, positive to negative, etc.), as this can result in dangerously high voltages.



5. Gently set the Link into place, tucking the cables into the opening.
6. Using the provided four screws, secure the Link into place.
7. Using the 8mm port, plug the power source into the Link.



⚠ Ensure cable is fully inserted and tightly in place before use. Check upon subsequent uses. For questions, contact Solutions Center at support@goalzero.com or 1-888-794-6250

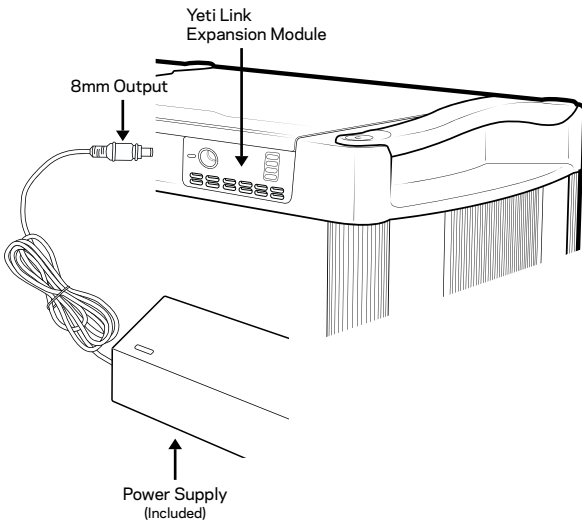
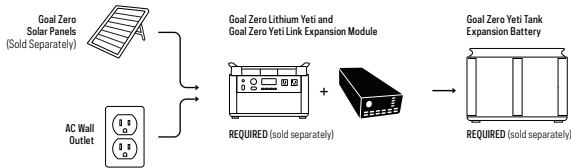


8. Proceed to plug in the EC8 cable and slide either the straight or the 90-degree EC8 cable holder over the cable and into the slots of the Link Lock. When the power source is correctly plugged in, the Input Charge Indicator light will turn blue. When the Tank is correctly connected to the Link and the power source is plugged in, the Lead-Acid State of Charge Indicator light will begin flashing green. NOTE: Upon plug-in, all LEDs will turn on, then off before correct lights are displayed. This may take up to 30 seconds.
9. Power source will charge the Yeti first. When the Yeti is fully charged, power will begin to store in the Tank. NOTE: Power coming in from the 8mm port will flow through the Tank first and then into the Yeti. Without a Tank or third party battery attached, this port will not charge the Yeti directly.

⚠ Ensure cable is fully inserted and tightly in place before use. Check upon subsequent uses. For questions, contact Solutions Center at support@goalzero.com or 1-888-794-6250

HOW IT WORKS WITH HOME ENERGY STORAGE - TANK MODE

The Goal Zero Yeti Link Expansion Module integrates with a Goal Zero Yeti Lithium or Yeti X Portable Power Station and Goal Zero Yeti Tank Expansion Battery to increase your energy storage capacity. The Link is a Lithium Charge Controller that will draw up to 80A Max Current from a Lead-Acid power source.



1. Once Link Module is installed into the Yeti you will be able to attach Goal Zero Yeti Expansion Tanks. To do this take the male EC8 cable from the Expansion Tank and plug it into the EC8 External Battery Connector on the Link Module that is installed in the Yeti Power Station.
2. Then take either the included power supply or a Goal Zero Solar Panel (sold separately) and plug the 8mm barrel connector (blue ring) into the 8mm input port on the Link Module.

Note: Do not plug a tank into itself when multiple tanks are connected.

3. Power will flow into the battery and then into the Yeti power station. Once the power station is full the power will then start filling up the Tank.

NOTE

1. The 8mm port on the Link is the only way to charge both the Yeti and Tank. Input ports on the Yeti display will only charge the Yeti, not the Tank.
2. When Link and Tank are properly installed, power passes through the 8mm port to the Tank and then into the Yeti. Thus, without a Tank or third party battery attached, you cannot charge the Yeti directly using the 8mm port on the Link.

⚠ WARNING: Do not exceed 22V input for the module. Doing so can cause serious damage to the Yeti and potential bodily injury. Take note of voltages when using third party solar panels with the module. Do not chain solar panels in series (positive to negative, positive to negative, etc.), as this can result in dangerously high voltages.



IMPORTANT SAFETY INSTRUCTIONS



Please save these instructions

Read all the instructions and cautions before beginning installation.

Goal Zero recommends installation of the Yeti Link Vehicle Charging kit be installed by trained professional. Under no circumstance should the Goal Zero Yeti Link be installed without the technical skills, technical information, tools and equipment required to properly complete the necessary procedures

Do NOT install a secondary battery in between the Battery and the Yeti Link Module

Improper connections will damage the Yeti Link Module/Accessory cables and/or cause serious injury or death. Be sure that all wiring is connected to the appropriate polarity

Make sure cables are securely connected. Check cables periodically especially before and after uneven roadways

Confirm cables are installed correctly with no risk of pinching or abrasion. Pinching cables or any means of exposing internal cables can lead to malfunctions or fires

Keep live wires, terminals, and other bare parts away from contact with each other and other metal parts

Always wear eye protection when making battery connections

Always use rubber insulating grommet when drilling through steel panels to run the EC8 cable

Never route electrical cables across sharp edges

Never route electrical cables near parts that get hot

Never route electrical cables over battery terminals

Never route electrical cables through or near moving parts

Electrical cables should be safe from road spray, rain runoff, sand or gravel from road surface.

Goal Zero rejects any liability for problems and damage caused by the system being installed by untrained personnel.

The vehicle owner is responsible for the correct operation of the appliance

Keep away from sources of heat (e.g. too close to exhaust system components or directly behind the radiator, etc.).

⚠ WARNING: To reduce risk of fire, injury to persons or damage to property, use only in the manner intended by Goal Zero

⚠ WARNING: The Goal Zero Yeti Link Vehicle Charging Kit transmits, power into the Link Module and Yeti at very high amperages up to 80A Max Current. Use Extreme caution when installing. Use only Goal Zero supplied cables and connections in installation. If installed with 3rd party connections or alterations are made to Goal Zero supplied cables damage to components, vehicle or person may occur.

⚠ WARNING: Improper connections will damage the Yeti Link Vehicle Charging kit and/or cause serious injury or death. Be sure that all wiring is connected to the appropriate polarity

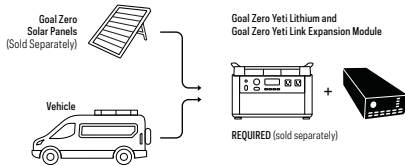
⚠ WARNING: Never connect a power source to the Yeti Link before installing into the Yeti. Always connect the Link to the Yeti before connecting any power source.

⚠ WARNING: Do not exceed 22V input for the Link. Doing so can cause serious damage to the Yeti and potential bodily injury. Take note of voltages when using third party solar panels or third party lead acid batteries with the module. Do not chain solar panels or lead acid batteries in series (positive to negative, positive to negative, etc.), as this can result in dangerously high voltages.

NOTE: If your vehicle alternator is rated less than 150 Amps, do not idle your vehicle to charge your Yeti power station. Idle charging the Yeti power station could cause your alternator to overheat and shorten the life of your alternator.

HOW IT WORKS - VEHICLE MODE

Quickly and easily recharge a Yeti Lithium (1000 or higher) from your vehicle while on the move. Charge rates vary from 25A - 80A Max Current (300W - 750W) depending on Yeti Lithium size and capacity.

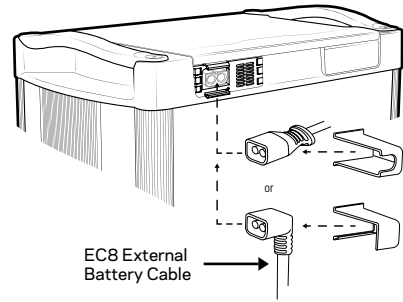
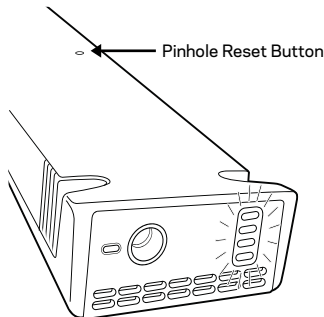


How it Works

When placed in "Vehicle Mode," the Yeti Link allows your Yeti Lithium to safely pull power from your vehicle's alternator while the vehicle is running and stop pulling power when the vehicle is off.

NOTE: Yeti Link must be in Vehicle Mode to utilize this feature or it will drain your vehicle's battery. All Links come standard set in "Tank Mode."

1. Once Link is installed in Yeti, switch Link from Tank Mode to Vehicle Mode by pushing the pinhole reset button on top of the Link four times. Indicator lights will turn on and blink together when the Link is successfully placed in Vehicle Mode.
2. To switch back to Tank Mode, press pinhole reset button on top of the Link four more times. Indicator lights will scroll from bottom to top individually when the Link is successfully placed in Tank Mode. **NOTE:** Do NOT place back in Tank Mode while connected to your vehicle.



4. Once Link is switched to Vehicle mode you will be able to connect to your vehicles +/-battery or alternator. By using the Goal Zero EC8 Extension Cable.
 - Note:** only use authentic Goal Zero cables to do this.
 - DO NOT** use more than one Extension Cable
 - DO NOT** have a secondary battery in between the Link Module and the vehicle alternator or main battery
5. Connect the Ring Terminal Cable to the positive and negative terminals on the either the main battery or the alternator.
6. Improper connections will damage the Yeti Link Module/Accessory cables and/or cause serious injury or death. Be sure that all wiring is connected to the appropriate polarity
7. Plug the Male end of the EC8 Ring Terminal cable into the Female end of the EC8 Extension cable.
8. Plug male end of Extension Cable into the External EC8 port of the Link Module and slide either the straight or the 90-degree EC8 cable holder over the cable and into the slots of the Link Lock.
 - Make sure cables are securely connected. Check cables periodically especially before and after uneven roadways.

⚠ WARNING: Ensure that you only use Goal Zero products between your Link and Alternator. Any other cables or wiring is not supported or recommended as these cables need to be rated to carry a minimum of 80A Max Current

Ensure cable is fully inserted and tightly in place before use. Check upon subsequent uses. For questions, contact Solutions Center at support@goalzero.com or 1-888-794-6250

CHARGING INDICATOR LIGHT

Input Charge Indicator:

FLASHING BLUE - Power source is correctly plugged into 8mm input and charging.

BLUE - Lead-Acid battery is full.

Lead Acid State of Charge Indicator:

1 LED LIGHT - Lead-Acid battery is 25% full or less

2 LED LIGHTS - Lead-Acid battery is 25% - 50% full

3 LED LIGHTS - Lead-Acid battery is 50% - 75% full

ALL LED LIGHTS - Lead-Acid battery is 75% full or more

Error LED

FLASHING RED - Yeti is in an over voltage condition or lead acid battery is in an under voltage condition. Disconnect all Tank Cables from Link and Yeti and please call our solar experts at 888-794-6250.

NOTE

1 The 8mm port on the Link is the only way to charge both the Yeti and Tank. Input ports on the Yeti display will only charge the Yeti, not the Tank.

2 When Link and Tank are properly installed, power passes through the 8mm port to the Tank and then into the Yeti. Thus, without a Tank or third party battery attached, you cannot charge the Yeti directly using the 8mm port on the Link.

FREQUENTLY ASKED QUESTIONS

Q: I'm charging my Yeti and it is connected to one or more Tank batteries, but my Tank batteries are not filling up. What should I do?

A: First, make sure you are using the input on your Link to charge your system. This input is the only way to charge both your Tank(s) and Yeti at the same time. If you are using the correct input and still having a problem, try resetting by reinstalling your Link.

Q: I installed my Link into my Yeti, connected my batteries, and I'm not showing a charge. What's going on?

A: Upon initial installation, the Link needs time to identify which type of Yeti you own in order to maximize performance. It can take up to 30 seconds to start operating.

Q: Can I use third party, non-Goal Zero lead-acid batteries with the Link?

A: Although not recommended yes, you can use any 12V SLA or AGM deep cycle lead acid battery with the Link. However, you will need a Goal Zero Male Link Chaining Cable to connect your batteries to the Link.

Q: If I'm using my own third party lead acid batteries, how do I wire them up?

A: When connecting multiple 12V lead-acid batteries to your Link, be sure to connect the batteries in parallel. Parallel connections will increase your current rating, but the voltage will stay the same.

⚠ WARNING: Connecting batteries in series will increase the voltage, causing damage to the unit and possible personal injury or death.

Q: How many lead acid batteries can I plug into the Link?

A: You can attach as many 12V lead-acid batteries to your Link as you'd like.

Q: Why is my Link only charging my Yeti up to 98%?

A: The Link will only charge a Newer generation Yeti Lithium to 98%. This protection is in place to protect and prolong the life of your battery. Second generation Yeti Lithium power stations equipped with the latest firmware updates can be charged to 100%.

Q: Once you put the Link into Vehicle mode, does it stay in Vehicle mode until you put it back into Tank Mode?

A: The Yeti Link will stay in Vehicle mode until you manually change it back to Tank mode. If moving the unit from your vehicle to then chain it to the Tank batteries in your home, you will need to change the Link from Vehicle Mode to Tank Mode.

Q: Would the solar still feed the Vehicle battery when the Vehicle is not running?

A: Yes, if you have a solar panel plugged directly into the 8mm port on the Yeti Link, the panel will be charging both the Yeti and your Vehicle battery when it isn't running.

TECHNICAL SPECIFICATIONS

Yeti Link Expansion Module

80A Max Current from External Tanks/ Power Source to the Yeti's internal Lithium Battery

Charges the following:

GOAL ZERO Yeti 1000X @ Max Input	605W
----------------------------------	------

GOAL ZERO Yeti 1500X @ Max Input	750W
----------------------------------	------

GOAL ZERO Yeti 3000X @ Max Input	750W
----------------------------------	------

GOAL ZERO Yeti 6000X @ Max Input	750W
----------------------------------	------

Ports: Do not exceed 22V Input

8mm Charging port	14 - 22V, Do not exceed 100W or 7.5A
-------------------	---

External Battery Connector	80A Max Current 10.7 - 15V
----------------------------	-------------------------------

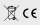
General:

Weight	1.5 lbs (680 g)
--------	-----------------

Dimensions	10.25 x 3.3 x 1.5 in (26 x 8.4 x 3.8 cm)
------------	---

Operating Usage Temp	32-104 F (0-40C)
----------------------	------------------

Warranty	12 months
----------	-----------

Certs	
-------	---



CONSIGNES DE SÉCURITÉ IMPORTANTES



Veillez conserver ces consignes

Lisez toutes les consignes et mises en garde avant de commencer l'installation.

Aucune responsabilité n'est assumée pour les dommages résultant de l'utilisation des informations contenues dans ce document.

ATTENTION : le module de liaison Goal Zero Yeti Link produit des ampérages très élevés. L'utilisez uniquement avec des câbles Goal Zero. Des câbles ou connecteurs modifiés ou des câbles ou connecteurs tiers peuvent être incompatibles et endommager les composants, le véhicule ou les personnes.

AVERTISSEMENT Pour réduire les risques d'incendie, de blessures corporelles ou de dommages matériels, utilisez uniquement de la manière prévue par Goal Zero.

NE PAS désassembler ou tenter de réparer le module vous-même.

NE PAS laisser de l'eau pénétrer dans le module, le Goal Zero Yeti Lithium ou le réservoir Goal Zero Yeti Tank.

Assurez-vous que le câble est inséré entièrement et fixé correctement avant l'utilisation. Vérifiez avant toute utilisation ultérieure. Si vous avez des questions, contactez notre Centre de Solutions à l'adresse support@goalzero.com ou au numéro 1-888-794-6250

NE PAS enchaîner plusieurs panneaux solaires tiers ou batteries plomb-acide en série (connexion positive à négative, positive à négative, etc.), car cela peut entraîner des niveaux de tension dangereusement élevés qui pourraient causer des dommages sérieux au Yeti Lithium et d'éventuelles blessures corporelles.

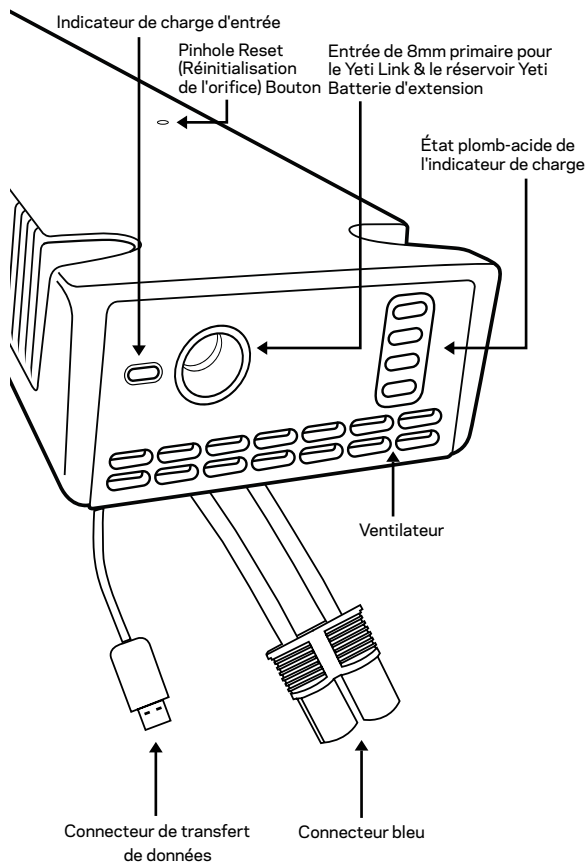
Compatible avec les stations d'alimentation Yeti 1000, 1000X, 1400, 1500X, 3000, 3000X et Yeti 6000X au lithium

⚠ ATTENTION : Ne jamais connecter une source d'alimentation au Yeti Link avant de l'avoir installé sur le Yeti. Connectez toujours le module Link au Yeti avant de brancher une source d'alimentation.

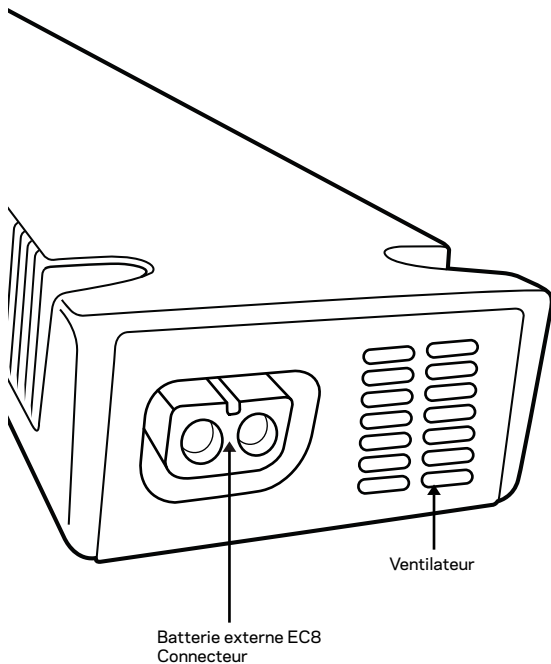
⚠ ATTENTION : Ne dépassez pas plus de 22V en entrée du module Link. Cela pourrait causer des dommages sérieux au Yeti et d'éventuelles blessures corporelles. Prenez note des tensions électriques lors de l'utilisation de panneaux solaires tiers ou des batteries plomb-acide tierces avec le module. N'enchaînez pas plusieurs panneaux solaires ou batteries plomb-acide en série (positive à négative, etc.), car cela peut entraîner des niveaux de tension dangereusement élevés.

APPRENDRE À CONNAÎTRE VOTRE ÉQUIPEMENT

Face avant du module d'expansion Link



Face arrière du module d'expansion Link

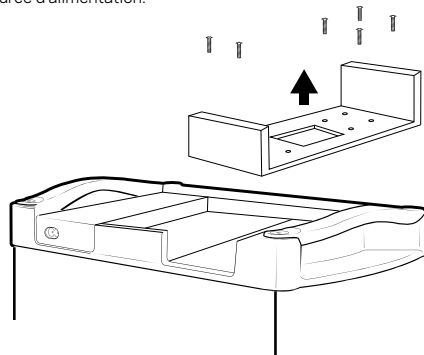


▲ Assurez-vous que le câble est inséré entièrement et fixé correctement avant l'utilisation. Vérifiez avant toute utilisation ultérieure. Si vous avez des questions, contactez notre Centre de Solutions à l'adresse support@goalzero.com ou au numéro 1-888-794-6250

COMMENT L'INSTALLER

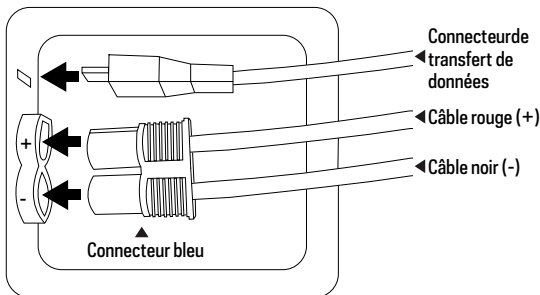
Outils dont vous aurez besoin : un tournevis cruciforme

1. Éteignez tous les ports de sortie et débranchez le Yeti de toute source d'alimentation.

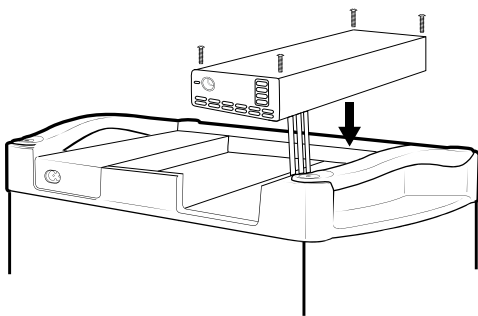


2. Relevez le couvercle du Yeti et extrayez le support du module d'expansion du Yeti en dévissant les six vis et en le faisant glisser vers le haut.
 - a. Utilisez vos deux mains pour extraire le support de son emplacement.
3. Prenez note des bornes positive et négative sur le port du Yeti, ainsi que sur le connecteur bleu du Link. Insérez le connecteur bleu dans le port du module du Yeti, en faisant correspondre les bornes positive avec positive et négative avec négative.
4. Insérez le connecteur micro-USB du Link dans le port micro-USB du Yeti.

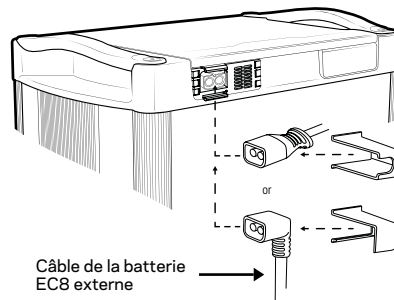
▲ **ATTENTION : Ne dépassez pas plus de 22V en entrée pour le module. Cela pourrait causer des dommages sérieux au Yeti et d'éventuelles blessures corporelles. Prenez note des tensions électriques lors de l'utilisation de panneaux solaires tiers avec le module. N'enchaînez pas plusieurs panneaux solaires en série (positive à négative, etc.), car cela peut entraîner des niveaux de tension dangereusement élevés.**



5. Placez délicatement le Link en place, en repliant les câbles dans l'ouverture.
6. En utilisant les 4 vis fournies, sécuriser le module Link en place.
7. En utilisant le port de 8 mm, branchez la source d'alimentation dans le Link.



▲ Assurez-vous que le câble est inséré entièrement et fixé correctement avant l'utilisation. Vérifiez avant toute utilisation ultérieure. Si vous avez des questions, contactez notre Centre de Solutions à l'adresse support@goalzero.com ou au numéro 1-888-794-6250

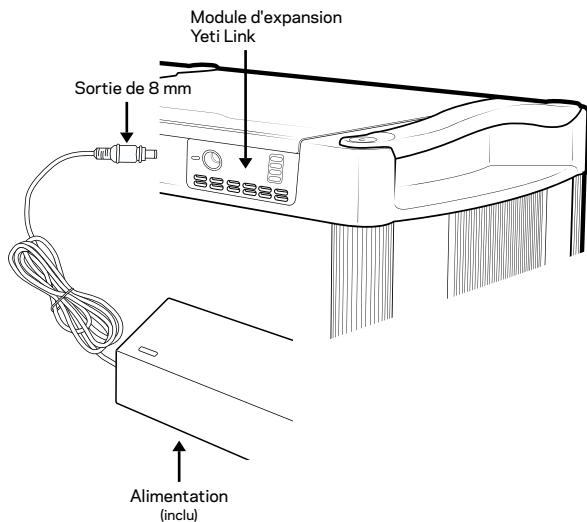
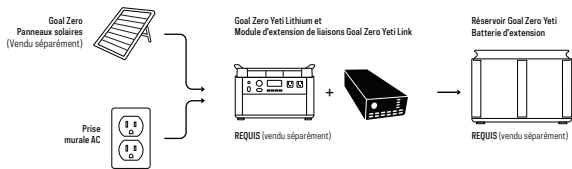


8. Branchez le câble EC8 et faites glisser le support de câble EC8 droit ou à 90 degrés sur le câble et dans les fentes du Link Lock. Lorsque la source d'alimentation est correctement branchée, le voyant de charge d'entrée devient bleu. Lorsque le réservoir Tank est correctement connecté au Link et que la source d'alimentation est branchée, le voyant de l'état de charge plomb-acide commence à clignoter en vert. REMARQUE : lors du branchement, tous les voyants s'allument, puis s'éteignent avant que les voyants appropriés ne s'affichent. Cela peut prendre jusqu'à 30 secondes.
9. La source d'alimentation chargera le Yeti en premier. Lorsque le Yeti sera complètement chargé, l'énergie commencera alors à se stocker dans le réservoir Tank. REMARQUE : le courant arrivant par le port de 8mm passera d'abord par le Tank, puis entrera dans le Yeti. Sans un réservoir Tank, ou une batterie tierce, attaché, ce port ne rechargera pas le Yeti directement.

▲ Assurez-vous que le câble est inséré entièrement et fixé correctement avant l'utilisation. Vérifiez avant toute utilisation ultérieure. Si vous avez des questions, contactez notre Centre de Solutions à l'adresse support@goalzero.com ou au numéro 1-888-794-6250

COMMENT ÇA MARCHE - MODE DE STOCKAGE D'ÉNERGIE À DOMICILE

Le module d'extension Goal Zero Yeti Link s'intègre à une station d'alimentation portable Goal Zero Yeti Lithium ou Yeti X et à une batterie d'extension du réservoir Goal Zero Yeti pour augmenter votre capacité de stockage d'énergie. Le module de liaison Link est un contrôleur de charge au lithium qui prélève jusqu'à 80A de courant maximum à partir d'une source d'alimentation au plomb-acide.



1. Une fois le module de liaison installé dans le Yeti, vous pourrez attacher les réservoirs d'expansion Goal Zero Yeti. Pour ce faire, prenez le câble EC8 mâle du réservoir d'expansion et branchez-le dans le connecteur de batterie externe EC8 sur le module de liaison qui est installé dans la station d'alimentation Yeti.
2. Ensuite, prenez le bloc d'alimentation inclus ou un panneau solaire Goal Zero (vendu séparément) et branchez le connecteur cylindrique de 8 mm (anneau bleu) dans le port d'entrée de 8 mm du module de liaison.
Remarque : ne branchez pas un réservoir sur lui-même lorsque plusieurs réservoirs sont connectés.
3. L'électricité circulera dans la batterie, puis dans la station d'alimentation Yeti. Une fois que la station d'alimentation sera pleine, l'électricité commencera alors à charger le réservoir

REMARQUE

1. Le port d'entrée de 8 mm du module d'expansion Link est le seul moyen de charger le Yeti et le réservoir. Les ports d'entrée sur l'écran du Yeti ne chargeront que le Yeti, pas le réservoir.
2. Lorsque le module d'expansion Link et le réservoir Tank sont correctement installés, le courant passe par le port de 8 mm jusque dans le réservoir, puis entre dans le Yeti. Ainsi, sans un réservoir, ou une batterie tierce, attaché, vous ne pouvez pas charger le Yeti directement à l'aide du port de 8mm du module d'expansion Link.

⚠ ATTENTION : Ne dépassez pas plus de 22V en entrée pour le module. Cela pourrait causer des dommages sérieux au Yeti et d'éventuelles blessures corporelles. Prenez note des tensions électriques lors de l'utilisation de panneaux solaires tiers avec le module. N'enchaînez pas plusieurs panneaux solaires en série (positive à négative, etc.), car cela peut entraîner des niveaux de tension dangereusement élevés.



CONSIGNES DE SÉCURITÉ IMPORTANTES



Veillez conserver ces consignes

Lisez toutes les consignes et mises en garde avant de commencer l'installation.

Goal Zero recommande que le kit de chargement de véhicule Yeti Link soit installé par un professionnel qualifié. En aucun cas, le Goal Zero Yeti Link ne doit être installé sans les compétences techniques, les informations techniques, les outils et l'équipement nécessaires pour exécuter correctement les procédures nécessaires.

N'installez PAS de batterie secondaire entre la batterie et le module d'expansion Yeti Link

Des connexions incorrectes endommageront les câbles du module d'expansion Yeti Link/des accessoires et/ou entraîneront des blessures graves, voire mortelles. Assurez-vous que tout le câblage soit connecté à la polarité appropriée.

Assurez-vous que les câbles soient correctement connectés. Vérifiez périodiquement les câbles, en particulier avant et après avoir conduit sur de mauvaises routes.

Vérifiez que les câbles sont correctement installés sans risque de pincement ou d'abrasion. Le pincement des câbles ou tout moyen d'exposer les câbles internes peut entraîner des dysfonctionnements ou des incendies.

Gardez les fils sous tension, les bornes et les autres pièces nues à l'écart des contacts les uns avec les autres et avec d'autres pièces métalliques.

Portez toujours des lunettes de protection lors des connexions de la batterie.

Utilisez toujours un passe-fil isolant en caoutchouc lorsque vous percez des panneaux en acier pour faire passer le câble EC8.

N'acheminez jamais les câbles électriques sur des bords tranchants.

N'acheminez jamais les câbles électriques à proximité de pièces qui peuvent devenir chaudes.

N'acheminez jamais les câbles électriques sur les bornes de la batterie.

N'acheminez jamais les câbles électriques à travers ou à proximité de pièces mobiles.

Les câbles électriques doivent être à l'abri des embruns, du ruissellement de pluie, du sable ou du gravier de la surface de la route.

Goal Zero décline toute responsabilité pour les problèmes et les dommages causés par l'installation du système par du personnel non formé.

Le propriétaire du véhicule est responsable du bon fonctionnement de l'appareil

Tenez-le à l'écart des sources de chaleur (par exemple trop près des composants du système d'échappement ou directement derrière le radiateur, etc.).

⚠ AVERTISSEMENT : pour réduire les risques d'incendie, de blessures corporelles ou de dommages matériels, l'utilisez uniquement de la manière prévue par Goal Zero.

⚠ AVERTISSEMENT : le kit de charge pour véhicule Goal Zero Yeti Link transmet l'alimentation du module Link et du Yeti à des ampérages très élevés jusqu'à 80A de courant maximum. Soyez extrêmement prudent lors de l'installation. Utilisez uniquement les câbles et les connexions fournis par Goal Zero lors de l'installation. S'ils sont installés avec des connexions tierces ou des modifications sont apportées aux câbles fournis par Goal Zero, des dommages aux composants, au véhicule ou aux personnes peuvent survenir.

⚠ Avertissement : des connexions incorrectes endommageront le kit de chargement de véhicule Yeti Link et/ou entraîneront des blessures graves, voire mortelles. Assurez-vous que tout le câblage soit connecté à la polarité appropriée.

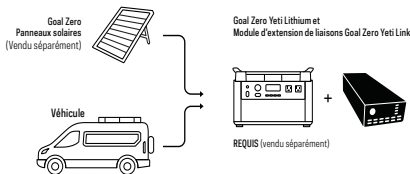
⚠ ATTENTION : Ne jamais connecter une source d'alimentation au Yeti Link avant de l'avoir installé sur le Yeti. Connectez toujours le module Link au Yeti avant de brancher une source d'alimentation.

⚠ ATTENTION : Ne dépassez pas plus de 22V en entrée du module Link. Cela pourrait causer des dommages sérieux au Yeti et d'éventuelles blessures corporelles. Prenez note des tensions électriques lors de l'utilisation de panneaux solaires tiers ou des batteries plomb-acide tierces avec le module. N'enchaînez pas plusieurs panneaux solaires ou batteries plomb-acide en série (positive à négative, etc.), car cela peut entraîner des niveaux de tension dangereusement élevés.

REMARQUE : Si l'alternateur de votre véhicule est d'une capacité nominale inférieure à 150 ampères, ne faites pas tourner votre véhicule au ralenti pour recharger votre station d'alimentation Yeti. Toute recharge avec le moteur tournant au ralenti de la station d'alimentation Yeti peut provoquer une surchauffe de votre alternateur et réduire sa durée de vie.

COMMENT ÇA MARCHE - MODE VOITURE

Rechargez rapidement et facilement un Yeti Lithium (1000 ou plus) depuis votre véhicule en déplacement. Les taux de charge varient de 25 A à 80 A (300 W à 750 W) en fonction de la taille et de la capacité du Yeti Lithium.

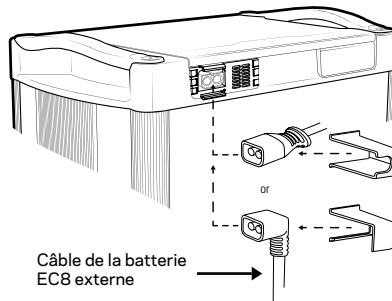
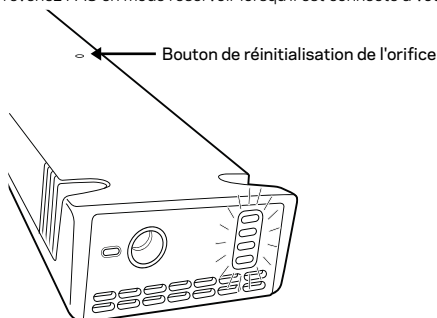


Comment cela fonctionne

Lorsqu'il est placé en « Mode voiture », le module Yeti Link permet à votre Yeti Lithium de tirer de manière sûre l'alimentation de l'alternateur de votre véhicule lorsque celui-ci est en marche et de cesser de le faire lorsque le véhicule est éteint.

REMARQUE : Le module Yeti Link doit être en Mode Voiture pour utiliser cette fonction, sinon cela épuisera la batterie de votre véhicule. Tous les modules Link sont livrés en « Mode Réservoir » par défaut.

1. Une fois que le module Link est installé sur le Yeti, passez du mode réservoir au mode voiture en appuyant quatre fois sur le bouton de réinitialisation de l'orifice situé sur le dessus du Link.
2. Les voyants s'allumeront et clignoteront ensemble lorsque le module Link sera correctement passé au mode voiture.
3. Pour repasser en mode réservoir, appuyez quatre fois de plus sur le bouton de réinitialisation de l'orifice situé sur le dessus du Link. Les voyants s'allumeront de bas en haut individuellement lorsque le module Link sera correctement repassé au mode réservoir. **REMARQUE :** ne revenez PAS en mode réservoir lorsqu'il est connecté à votre véhicule.



4. Une fois que le module Link a basculé en mode voiture, vous pourrez vous connecter à la batterie +/- ou à l'alternateur de votre véhicule. En utilisant le câble d'extension.
 - Remarque : utilisez uniquement des câbles Goal Zero authentiques pour ce faire.
 - N'utilisez PAS plus d'un câble d'extension.
 - N'ayez PAS de batterie secondaire entre le module de liaison et l'alternateur du véhicule ou la batterie principale
5. Connectez le câble de la borne en anneau aux bornes positives et négatives de la batterie principale ou de l'alternateur.
6. Des connexions incorrectes endommageront les câbles du module d'expansion Yeti Link/des accessoires et/ou entraîneront des blessures graves, voire mortelles. Assurez-vous que tout le câblage soit connecté à la polarité appropriée.
7. Branchez l'extrémité mâle du câble de la borne en anneau EC8 dans l'extrémité femelle du câble d'extension EC8.
8. Branchez l'extrémité mâle du câble d'extension dans le port EC8 externe du module Link.
 - Assurez-vous que les câbles soient correctement connectés. Vérifiez périodiquement les câbles, en particulier avant et après avoir conduit sur de mauvaises routes.

⚠ Avertissement : assurez-vous de n'utiliser que des produits Goal Zero entre votre module Link et l'alternateur. Tout autre câble ou câblage n'est pas pris en charge ou recommandé car ces câbles doivent être évalués pour transporter un courant maximum de 80 A minimum

⚠ Assurez-vous que le câble est inséré entièrement et fixé correctement avant l'utilisation. Vérifiez avant toute utilisation ultérieure. Si vous avez des questions, contactez notre Centre de Solutions à l'adresse support@goalzero.com ou au numéro 1-888-794-6250

INDICATEUR DE CHARGE

Indicateur de charge d'entrée :

BLEU CLIGNOTANT — La source d'alimentation est correctement branchée sur une entrée de 8 mm et est en train de se charger.

BLEU — La batterie au plomb est pleine.

État plomb-acide de l'indicateur de charge :

1 VOYANT DEL ALLUMÉ - La batterie au plomb-acide est pleine à 25% ou moins

2 VOYANTS DEL ALLUMÉS - La batterie au plomb-acide est pleine de 25% à 50%

3 VOYANTS DEL ALLUMÉS - La batterie au plomb-acide est pleine de 50% à 75%

TOUS LES VOYANTS DEL ALLUMÉS - La batterie plomb-acide est pleine à 75% ou plus

Erreur avec le voyant DEL

ROUGE CLIGNOTANT - Yeti est en surtension ou la batterie au plomb est en surtension. Débranchez tous les câbles du réservoir du Link et du Yeti et appelez nos experts en énergie solaire au 888-794-6250.

REMARQUE

1 Le port d'entrée de 8 mm du module d'expansion Link est le seul moyen de charger le Yeti et le réservoir. Les ports d'entrée sur l'écran du Yeti ne chargeront que le Yeti, pas le réservoir.

2 Lorsque le module d'expansion Link et le réservoir Tank sont correctement installés, le courant passe par le port de 8 mm jusque dans le réservoir, puis entre dans le Yeti. Ainsi, sans un réservoir, ou une batterie tierce, attaché, vous ne pouvez pas charger le Yeti directement à l'aide du port de 8mm du module d'expansion Link.

FOIRE AUX QUESTIONS

Q : Je charge mon Yeti et il est connecté à une ou plusieurs batteries du réservoir, mais celles-ci ne se remplissent pas. Que devrais-je faire ?

R : Tout d'abord, assurez-vous d'utiliser l'entrée de votre module Link pour charger votre système. Cette entrée est le seul moyen de recharger votre(vos) réservoir(s) et votre Yeti en même temps. Si vous utilisez la bonne entrée et que le problème persiste, essayez de réinitialiser et de réinstaller votre module Link.

Q : Puis-je utiliser des batteries plomb-acide tierces non-Goal Zero avec Link ?

R : Oui, vous pouvez utiliser n'importe quelle batterie plomb-acide à cycle profond SLA ou AGM 12V avec le Link. Cependant, vous aurez besoin d'un câble de chaînage Goal Zero Link mâle pour connecter vos batteries

au module Link, bien que cela ne soit pas recommandé.

Q : Si j'utilise mes propres batteries plomb-acide tierces, comment puis-je les câbler ?

R : Lorsque vous connectez plusieurs batteries au plomb 12V à votre Link, veillez à connecter les batteries en parallèle. Les connexions parallèles augmenteront votre courant nominal, mais la tension restera la même.

ATTENTION : Le branchement de batteries en série augmente la tension et endommage l'appareil et peut entraîner des blessures, voire la mort.

Q : Combien de batteries au plomb puis-je brancher sur le module Link ?

R : Vous pouvez connecter autant de batteries au plomb-acide 12 V que vous le souhaitez à votre module Link.

Q : Pourquoi mon module Link ne charge-t-il mon Yeti que jusqu'à 98% ?

R : Le module Link ne peut recharger que jusqu'à 98% un Yeti Lithium de la génération actuelle. Cette protection est en place pour protéger et prolonger la vie de votre batterie. Les blocs d'alimentation Yeti Lithium de deuxième génération équipés des dernières mises à jour du firmware peuvent être chargés à 100%.

Q. Une fois que vous avez mis le module Link en mode voiture, reste-t-il en mode voiture jusqu'à ce que vous le remettiez en mode réservoir ?

R. Le module Yeti Link restera en mode voiture jusqu'à ce que vous le remettiez manuellement en mode réservoir. Si vous déplacez l'unité de votre véhicule pour ensuite l'enchaîner aux batteries du réservoir de votre maison, vous devrez changer le lien du mode voiture au mode réservoir.

Q. Le panneau solaire alimentera-t-il toujours la batterie du véhicule lorsque le véhicule est éteint ?

R. Oui, si vous avez un panneau solaire branché directement dans le port 8 mm du Yeti Link, le panneau chargera à la fois le Yeti et la batterie de votre véhicule lorsqu'il sera éteint.

Module d'extension Yeti Link

Courant maximal de 80 A entre les réservoirs externes/la source d'alimentation et la batterie au lithium interne du Yeti

Recharge les éléments suivants :

GOAL ZERO Yeti 1000X @ Tension d'entrée max.	605W
--	------

GOAL ZERO Yeti 1500X @ Tension d'entrée max.	750W
--	------

GOAL ZERO Yeti 3000X @ Tension d'entrée max.	750W
--	------

GOAL ZERO Yeti 6000X @ Tension d'entrée max.	750W
--	------

Ports : Ne pas dépasser plus de 22V en entrée

Port de Charge de 8 mm	14 -22 V, ne pas dépasser 100 W ou 7.5A
------------------------	---

Connecteur de batterie externe	Courant maximal de 80 A 10,7 - 15V
--------------------------------	------------------------------------

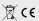
Général :

Poids	680 g (1,5 lbs)
-------	-----------------

Dimensions	26 x 8,4 x 3,8 cm (10,25 x 3,3 x 1,5 pouces)
------------	---

Température de fonctionnement à l'usage	0 à 40°C (32 à 104°F)
---	-----------------------

Garantie	12 mois
----------	---------

Certifications	 FCC CE
----------------	--



WICHTIGE SICHERHEITSHINWEISE



Bitte bewahren Sie diese Hinweise gut auf

Lesen Sie vor Beginn der Installation alle Hinweise und Vorsichtsmaßnahmen.

Für Schäden, die sich aus der Heranziehung der hierin enthaltenen Informationen ergeben, wird keine Haftung übernommen.

VORSICHT: Der Goal Zero Yeti Link gibt sehr hohe Stromstärken aus. Zur ausschließlichen Verwendung mit Kabeln von Goal Zero. Abgeänderte Kabel oder Stecker sowie Kabel oder Stecker von Drittanbietern können inkompatibel sein und zu Schäden an Komponenten, Fahrzeugen oder Personen führen.

WARNUNG Zur Verringerung des Risikos von Bränden, Personen- oder Sachschäden darf das Gerät nur in der von Goal Zero vorgesehenen Weise verwendet werden.

Demontieren Sie das Modul **NICHT** und versuchen Sie **NICHT**, es zu reparieren.

Lassen Sie **KEIN** Wasser in das Modul, den Goal Zero Yeti Lithium oder den Goal Zero Yeti Tank eindringen.

Stellen Sie sicher, dass das Kabel vor der Verwendung vollständig eingeführt ist und fest an seinem Platz sitzt. Kontrollieren Sie dies bei weiterer Verwendung. Bei Fragen wenden Sie sich bitte an das Solutions Center unter support@goalzero.com oder 1-888-794-6250

Verketten Sie Solar-Paneele oder Bleiakkus anderer Hersteller **NICHT** in Reihe (Verbindung von positiv mit negativ, positiv mit negativ etc.), da dies zu gefährlich hohen Spannungswerten führen kann, die den Yeti Lithium schwer beschädigen und zu Verletzungen führen können.

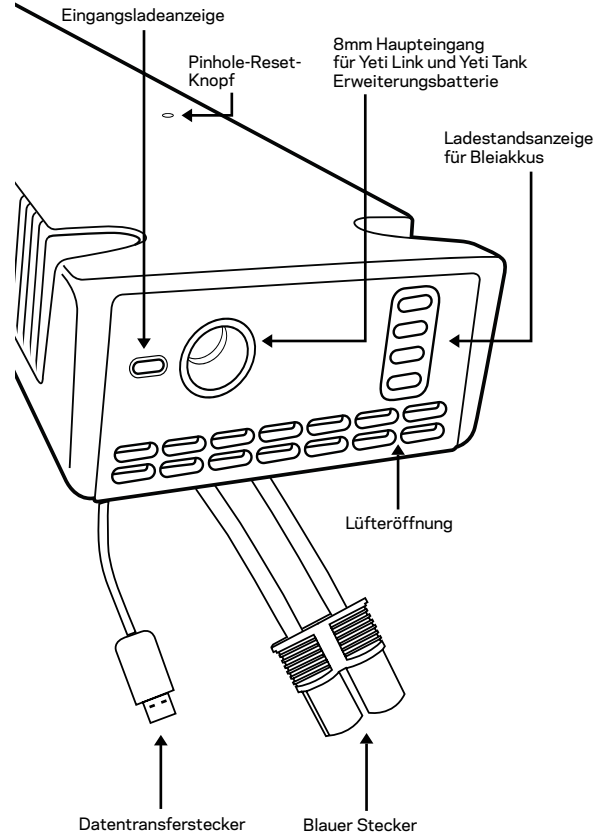
Geeignet für die Ladestationen Yeti 1000, 1000X, 1400, 1500X, 3000, 3000X und Yeti 6000X Lithium

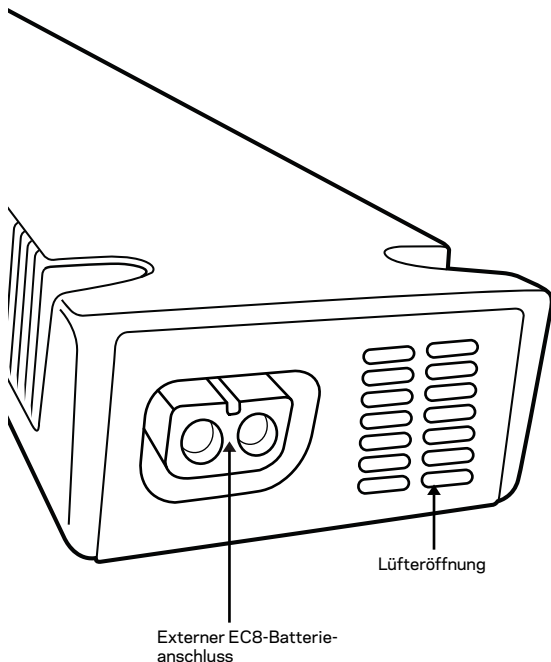
⚠️ WARNUNG: Verbinden Sie vor der Installation in den Yeti niemals eine Stromquelle mit dem Yeti Link. Verbinden Sie den Link immer mit dem Yeti, bevor Sie irgendwelche anderen Stromquellen anschließen.

⚠️ WARNUNG: Überschreiten Sie bei dem Link einen Eingang von 22 V nicht. Andernfalls kann dies den Yeti schwer beschädigen und zu Verletzungen führen. Beachten Sie die Spannung, wenn Sie Solar-Paneele oder Bleiakkus anderer Hersteller für das Modul verwenden. Verketteten Sie Solar-Paneele und Bleiakkus nicht in Reihe (Verbindung von positiv mit negativ, positiv mit negativ etc.), da dies zu gefährlich hohen Spannungen führen kann.

LERNEN SIE IHR GERÄT KENNEN

Vorderseite des Link-Erweiterungsmoduls



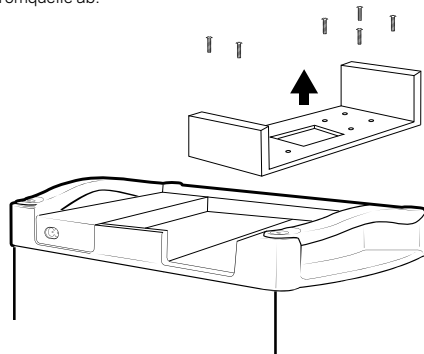


⚠ Stellen Sie sicher, dass das Kabel vor der Verwendung vollständig eingeführt ist und fest an seinem Platz sitzt. Kontrollieren Sie dies bei weiterer Verwendung. Bei Fragen wenden Sie sich bitte an das Solutions Center unter support@goalzero.com oder 1-888-794-6250

INSTALLATIONSANLEITUNG

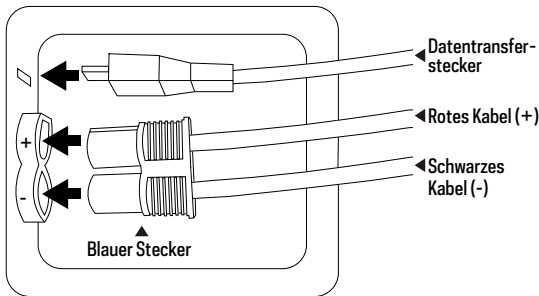
Benötigte Werkzeuge: Phillips-Schraubenzieher

1. Schalten Sie alle Ausgangsstecker ab und ziehen Sie den Yeti von der Stromquelle ab.

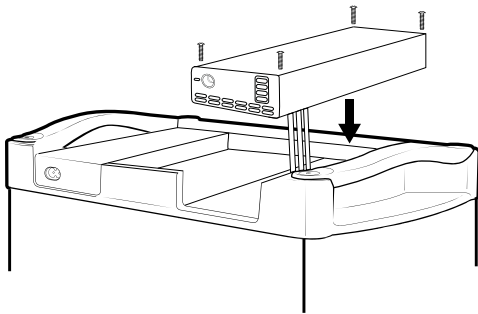


2. Öffnen Sie die Klappe des Yeti und entfernen Sie das Erweiterungsmodulgstell des Yeti, indem Sie die sechs Schrauben entfernen und das Gestell herauschieben.
 - a. Verwenden Sie beide Hände, um das Erweiterungsmodulgstell aus seiner Position zu lösen.
3. Beachten Sie die den Plus- und Negativpol am Modulanschluss des Yeti und an dem blauen Stecker des Links. Schieben Sie den blauen Stecker in den Modulanschluss des Yeti, wobei positiv zu positiv und negativ zu negativ passen muss.
4. Stecken Sie den Micro-USB-Stecker am Link in den Micro-USB-Anschluss am Yeti.

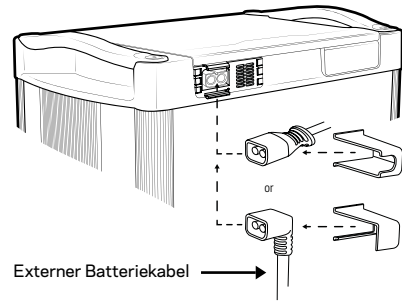
⚠ **WARNUNG: Überschreiten Sie bei dem Modul einen Eingang von 22 V nicht** Andernfalls kann dies den Yeti schwer beschädigen und zu Verletzungen führen. Beachten Sie die Spannung, wenn Sie fremde Solar-Paneele für das Modul verwenden. Verketteten Sie Solar-Paneele nicht in Reihe (Verbindung von positiv mit negativ, positiv mit negativ etc.), da dies zu gefährlich hohen Spannungen führen kann.



5. Platzieren Sie den Link vorsichtig und stecken Sie die Kabel in die Öffnung.
6. Befestigen Sie den Link mithilfe der mitgelieferten vier Schrauben.
7. Stecken Sie mithilfe des 8-mm-Anschlusses die Stromquelle in den Link ein.



▲ Stellen Sie sicher, dass das Kabel vor der Verwendung vollständig eingeführt ist und fest an seinem Platz sitzt. Kontrollieren Sie dies bei weiterer Verwendung. Bei Fragen wenden Sie sich bitte an das Solutions Center unter support@goalzero.com oder 1-888-794-6250

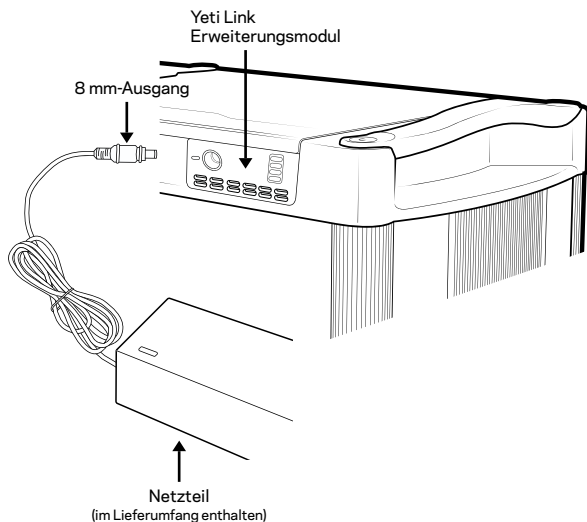
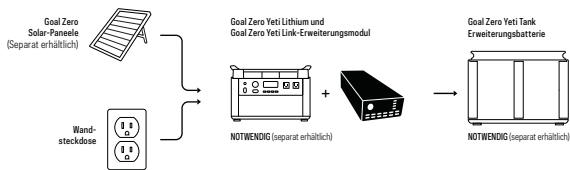


8. Stecke nun das EC8-Kabel ein und schiebe entweder den geraden oder den 90-Grad-EC8-Kabelhalter über das Kabel und in die Schlitz des Link Locks. Wenn die Stromquelle richtig angeschlossen ist, leuchtet die Eingangs-ladeanzeige blau. Wenn der Tank korrekt mit dem Link verbunden und die Stromquelle angeschlossen ist, beginnt die Ladeanzeige für den Bleiakku grün zu blinken. HINWEIS: Beim Einstecken schalten sich zuerst alle LEDs ein und wieder aus, bevor die richtigen Lichter aufleuchten. Dies kann bis zu 30 Sekunden dauern.
9. Der Yeti wird zuerst aufgeladen. Wenn der Yeti vollständig aufgeladen ist, wird der Strom im Tank gespeichert. HINWEIS: Strom, der aus dem 8-mm-Anschluss eintritt, fließt zuerst durch den Tank und dann in den Yeti. Ohne angeschlossenen Tank oder Fremdbatterie lädt dieser Anschluss den Yeti nicht direkt auf.

▲ Stellen Sie sicher, dass das Kabel vor der Verwendung vollständig eingeführt ist und fest an seinem Platz sitzt. Kontrollieren Sie dies bei weiterer Verwendung. Bei Fragen wenden Sie sich bitte an das Solutions Center unter support@goalzero.com oder 1-888-794-6250

SO FUNKTIONIERT'S – HEIMENERGIESPEICHER-MODUS

Das Goal Zero Yeti Link-Erweiterungsmodul lässt sich mit einer Goal Zero Yeti Lithium oder Yeti X tragbaren Ladestation und der Goal Zero Yeti Tank-Erweiterungsbatterie integrieren, um Ihre Energiespeicherkapazität zu erhöhen. Der Link ist ein Lithium-Laderegler, der eine Maximalstromstärke bis zu 80 A aus einer Blei-Säure-Stromquelle beziehen kann.



1. Sobald das Link-Modul im Yeti installiert ist, können Sie Goal Zero Yeti-Erweiterungstanks anbringen. Nehmen Sie dazu den Stecker des EC8-Kabels aus dem Erweiterungstank und stecken Sie ihn in den externen EC8-Batterieanschluss am Link-Modul, das in der Yeti-Ladestation eingebaut ist.
2. Nehmen Sie dann entweder das mitgelieferte Netzteil oder ein Goal Zero Solar-Panel (separat erhältlich) und stecken Sie den 8-mm-Hohlstecker (blauer Ring) in die 8-mm-Buchse des Link-Moduls. Hinweis: Schließen Sie einen Tank nicht an sich selbst an, wenn mehrere Tanks verbunden sind.
3. Strom fließt zuerst in die Batterie und dann in die Yeti-Ladestation. Sobald die Ladestation vollständig aufgeladen ist, wird der Strom, im Tank gespeichert.

HINWEIS

1. Der 8-mm-Anschluss am Link kann sowohl den Yeti als auch den Tank laden. Dies ist anderweitig so nicht möglich. Die Eingangsanschlüsse am Display des Yeti laden nur den Yeti, nicht den Tank.
2. Wenn Link und Tank ordnungsgemäß montiert sind, fließt die Energie durch den 8-mm-Anschluss zum Tank und dann in den Yeti. Daher können Sie den Yeti ohne angeschlossenen Tank oder Fremdbatterie nicht direkt über den 8-mm-Anschluss am Link aufgeladen werden.

⚠ WARNUNG: Überschreiten Sie bei dem Modul einen Eingang von 22 V nicht. Andernfalls kann dies den Yeti schwer beschädigen und zu Verletzungen führen. Beachten Sie die Spannung, wenn Sie fremde Solar-Paneele für das Modul verwenden. Verketteten Sie Solar-Paneele nicht in Reihe (Verbindung von positiv mit negativ, positiv mit negativ etc.), da dies zu gefährlich hohen Spannungen führen kann.



WICHTIGE SICHERHEITSHINWEISE



Bitte bewahren Sie diese Hinweise gut auf

Lesen Sie vor Beginn der Installation alle Hinweise und Vorsichtsmaßnahmen.

Goal Zero empfiehlt den Einbau des Yeti Link-Fahrzeug-Ladekits durch geschultes Fachpersonal. Unter keinen Umständen sollte der Goal Zero Yeti Link ohne die technischen Fähigkeiten, technischen Informationen, Werkzeuge und Ausrüstung montiert werden, die zur ordnungsgemäßen Durchführung der notwendigen Verfahren erforderlich sind.

Installieren Sie **KEINE** Sekundärbatterie zwischen der Batterie und dem Yeti Link-Modul.

Unsachgemäße Verbindungen können zu Schäden am Yeti Link-Modul/ Zuhörkabel und/oder zu schweren Verletzungen oder zum Tod führen. Stellen Sie sicher, dass alle Kabel mit der richtigen Polarität angeschlossen sind.

Stellen Sie sicher, dass alle Kabel sicher angeschlossen sind. Überprüfen Sie die Kabel regelmäßig, insbesondere vor und nach Nutzung unebener Strecken.

Vergewissern Sie sich, dass die Kabel korrekt angeschlossen sind und kein Risiko von Quetschungen oder Verschleiß besteht. Wenn Kabel eingeklemmt oder interne Kabel freigelegt werden, kann dies zu Fehlfunktionen oder Bränden führen.

Vermeiden Sie den Kontakt zwischen stromführenden Drähten, Anschlüssen und anderen freiliegenden Teilen untereinander und mit anderen Metallteilen.

Tragen Sie immer einen Augenschutz, wenn Sie Batterieverbindungen herstellen.

Verwenden Sie immer eine isolierende Gummitülle, wenn Sie durch Stahlplatten bohren, um das EC8-Kabel zu verlegen.

Verlegen Sie elektrische Kabel niemals quer über scharfe Kanten.

Verlegen Sie elektrische Kabel nie in der Nähe von Teilen, die heiß werden.

Verlegen Sie elektrische Kabel niemals über Batteriepole.

Verlegen Sie elektrische Kabel niemals durch oder in der Nähe von beweglichen Teilen.

Elektrische Kabel sollten vor Spritzwasser, abfließendem Regen sowie von der Straße hochspritzendem Sand oder Kies geschützt sein.

Goal Zero lehnt jede Haftung für Probleme und Schäden ab, die durch die Montage des Systems durch ungeschultes Personal verursacht werden.

Der Fahrzeugbesitzer ist für den ordnungsgemäßen Gebrauch des Geräts verantwortlich.

Von Wärmequellen fernhalten (z. B. zu nahe an Komponenten der Abgasanlage oder direkt hinter dem Kühler usw.).

⚠️ WARNUNG: Verwenden Sie das Gerät nur in der von Goal Zero vorgesehenen Weise, um das Risiko von Bränden, Personen- oder Sachschäden zu verringern.

⚠️ WARNUNG: Das Goal Zero Yeti Link-Fahrzeugladekit überträgt Strom in das Link-Modul und den Yeti mit sehr hohen Stromstärken von bis zu 80 A Maximalstrom. Gehen Sie bei der Montage mit äußerster Vorsicht vor. Verwenden Sie bei der Montage nur die von Goal Zero gelieferten Kabel und Anschlüsse. Bei der Verwendung von Anschlüssen von Drittanbietern oder bei Änderungen an den von Goal Zero mitgelieferten Kabeln kann es zu Schäden an Komponenten, Fahrzeugen oder Personen kommen.

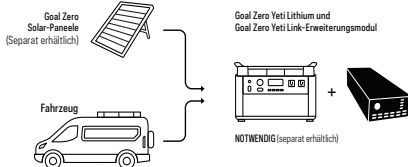
⚠️ Warnung: Unsachgemäße Verbindungen können zu Schäden am Yeti Link-Fahrzeugladekit und/oder zu schweren Verletzungen oder zum Tod führen. Stellen Sie sicher, dass alle Kabel mit der richtigen Polarität angeschlossen sind.

⚠️ WARNUNG: Verbinden Sie vor der Installation in den Yeti niemals eine Stromquelle mit dem Yeti Link. Verbinden Sie den Link immer mit dem Yeti, bevor Sie irgendwelche anderen Stromquellen anschließen.

⚠️ WARNUNG: Überschreiten Sie bei dem Link einen Eingang von 22 V nicht. Andernfalls kann dies den Yeti schwer beschädigen und zu Verletzungen führen. Beachten Sie die Spannung, wenn Sie Solar-Paneele oder Bleiakkus anderer Hersteller für das Modul verwenden. Verketteten Sie Solar-Paneele und Bleiakkus nicht in Reihe (Verbindung von positiv mit negativ, positiv mit negativ etc.), da dies zu gefährlich hohen Spannungen führen kann.

HINWEIS: Wenn Ihr Fahrzeug-Wechselstromgenerator eine Leistung unter 150 A hat, schalten Sie bei Ihrem Fahrzeug nicht in den Leerlauf, um Ihren Yeti Generator aufzuladen. Das Laden des Yeti Generators im Leerlauf könnte bei Ihrem Wechselstromgenerator zu Überhitzung führen und seine Lebensdauer verkürzen.

Laden Sie den Yeti Lithium (ab 1000) schnell und einfach in Ihrem Fahrzeug auf, während Sie unterwegs sind. Die Laderaten variieren von 25 A - 80 A (300 W - 750 W) je nach Größe und Kapazität.

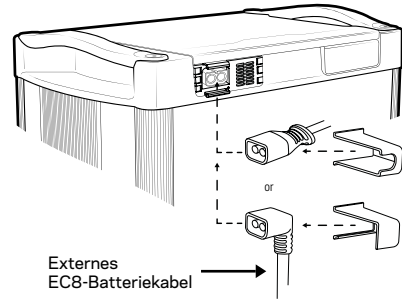
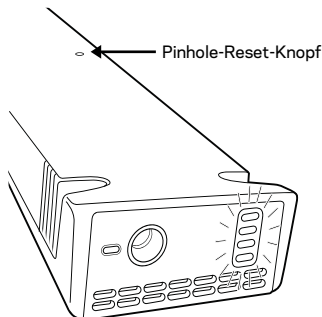


So funktioniert's

Im Fahrzeug-Modus ermöglicht der Yeti Link Ihrem Yeti Lithium, bei laufendem Fahrzeug sicher Strom zu laden und damit aufzuhören, sobald das Fahrzeug ausgeschaltet wird.

HINWEIS: Yeti Link muss sich im Fahrzeug-Modus befinden, um diese Funktion nutzen zu können, da sonst die Batterie Ihres Fahrzeugs entladen wird. Alle Links sind standardmäßig im "Tankmodus" eingestellt.

1. Sobald der Link im Yeti installiert ist, wechseln Sie vom Tank- in den Fahrzeug-Modus, indem Sie den Pinhole-Reset-Knopf auf der Oberseite des Links viermal drücken.
2. Die Kontrollleuchten leuchten auf und blinken zusammen, wenn die Verbindung erfolgreich in den Fahrzeug-Modus gesetzt wurde.
3. Um wieder in den Tankmodus zu wechseln, drücken Sie die Reset-Taste für die Lochblende oben auf dem Gerät vier weitere Male. Die Kontrollleuchten scrollen einzeln von unten nach oben, wenn der Link erfolgreich im Tankmodus platziert wurde. **HINWEIS:** NICHT wieder in den Tankmodus zurückstellen, während eine Verbindung mit Ihrem Fahrzeug besteht.



4. Sobald Link in den Fahrzeugmodus geschaltet ist, können Sie eine Verbindung zur +/Batterie oder zur Lichtmaschine Ihres Fahrzeugs herstellen. Verwenden Sie dazu das EC8-Verlängerungskabel von Goal Zero.
 - **Hinweis:** Verwenden Sie dazu ausschließlich Originalkabel von Goal Zero.
 - Verwenden Sie NICHT mehr als ein Verlängerungskabel.
 - Verwenden Sie KEINE Sekundärbatterie zwischen dem Link-Modul und der Lichtmaschine oder der Hauptbatterie des Fahrzeugs.
5. Schließen Sie das Kabel mit dem Ringkabelschuh an den Plus- und Minuspol entweder der Hauptbatterie oder der Lichtmaschine an.
6. Unsachgemäße Verbindungen können zu Schäden am Yeti Link-Modul/ Zubehörkabel und/oder zu schweren Verletzungen oder zum Tod führen. Stellen Sie sicher, dass alle Kabel mit der richtigen Polarität angeschlossen sind.
7. Stecken Sie den Stecker des EC8-Kabels mit Ringkabelschuh in die Buchse des EC8-Verlängerungskabels.
8. Stecken Sie den Stecker des Verlängerungskabels in den externen EC8-Anschluss des Link-Moduls.
 - Stellen Sie sicher, dass alle Kabel sicher angeschlossen sind. Überprüfen Sie die Kabel regelmäßig, insbesondere vor und nach Nutzung unebener Strecken.

⚠ Warnung: Stellen Sie sicher, dass Sie nur Goal Zero-Produkte zwischen Ihrem Link und der Lichtmaschine verwenden. Andere Kabel oder Drähte werden nicht unterstützt oder empfohlen, da diese Kabel für einen Mindeststrom von 80 A ausgelegt sein müssen.

Stellen Sie sicher, dass das Kabel vor der Verwendung vollständig eingeführt ist und fest an seinem Platz sitzt. Kontrollieren Sie dies bei weiterer Verwendung. Bei Fragen wenden Sie sich bitte an das Solutions Center unter support@goalzero.com oder 1-888-794-6250

LADEANZEIGELEUCHTE

Eingangsladeanzeige:

BLAU BLINKEND - Die Stromquelle ist korrekt an den 8-mm-Eingang angeschlossen und lädt.

BLAU - Der Bleiakku ist voll.

Ladestandsanzeige des Bleiakkus:

1 LED-LEUCHTE - Bleiakku ist zu 25 % oder weniger geladen

2 LED-LEUCHTEN - Bleiakku ist zu 25 % bis 50 % geladen

3 LED-LEUCHTEN - Bleiakku ist 50 % bis 75% geladen

ALLE LED-LEUCHTEN - Bleiakku ist zu mindestens 75 % geladen

LED-Fehleranzeige

ROT BLINKEND - Der Yeti befindet sich in einem Überspannungszustand oder der Bleiakku in einem Unterspannungszustand. Trennen Sie alle Tank-Kabel von Link und Yeti und rufen Sie unsere Solarexperten unter 888-794-6250 an.

HINWEIS

1 Der 8-mm-Anschluss am Link ist die einzige Möglichkeit, sowohl den Yeti als auch den Tank zu laden. Die Eingangsanschlüsse am Display des Yeti laden nur den Yeti, nicht den Tank.

2 Wenn Link und Tank ordnungsgemäß montiert sind, fließt die Energie durch den 8-mm-Anschluss zum Tank und dann in den Yeti. Daher können Sie den Yeti ohne angeschlossenen Tank oder Fremdbatterie nicht direkt über den 8-mm-Anschluss am Link aufgeladen werden.

HÄUFIG GESTELLTE FRAGEN

Frage: Ich lade meinen Yeti auf und er ist an eine oder mehrere Tank-Batterien angeschlossen, aber meine Tank-Batterien werden nicht aufgeladen. Was soll ich tun?

Antwort: Stellen Sie zunächst sicher, dass Sie den Eingang an Ihrem Link verwenden, um Ihr System aufzuladen. Nur mit diesem Eingang können Sie Ihre Tank(s) und Ihren Yeti gleichzeitig aufladen. Wenn Sie den richtigen Eingang verwenden und es immer noch nicht funktioniert, versuchen Sie, Ihren Link zurückzusetzen und neu zu installieren.

Frage: Ich habe meinen Link in meinen Yeti eingebaut und meine Batterien angeschlossen, aber es wird keine Ladeaktivität angezeigt. Was ist los?

Antwort: Bei der Ersteinrichtung benötigt der Link Zeit, um festzustellen, welchen Yeti-Typ Sie besitzen, um die Leistung zu maximieren. Bis zur Inbetriebnahme kann es bis zu 30 Sekunden dauern.

Frage: Kann ich mit dem Link Bleiakkus von Drittanbietern verwenden, die nicht von Goal Zero stammen?

Antwort: Ja, Sie können mit dem Link jeden versiegelten Bleiakku oder VRLA-AGM-Bleiakku (12 V) verwenden. Sie benötigen jedoch ein Link-Verbindungskabel mit Stecker von Goal Zero, um Ihre Akkus an den Link anzuschließen, obwohl dies nicht empfohlen wird.

Frage: Wenn ich meine eigenen Bleiakkus von einem anderen Hersteller verwende, wie verkabele ich diese?

Antwort: Wenn Sie mehrere 12-V-Bleiakkus an Ihren Link anschließen, achten Sie bitte darauf, dass Sie die Akkus parallel anschließen. Parallele Verbindungen erhöhen Ihre Nennstromstärke bei gleichbleibender Spannung.

WARNUNG: Das Anschließen von Batterien in Reihe erhöht die Spannung, was zu Schäden am Gerät und möglicherweise zu Verletzungen oder zum Tod führen kann.

Frage: Wie viele Bleiakkus kann ich an den Link anschließen?

Antwort: Sie können so viele 12-V-Bleiakkus an Ihren Link anschließen, wie Sie möchten.

Frage: Warum lädt mein Link meinen Yeti nur bis zu 98 %?

Antwort: Der Link lädt ein Yeti Lithium einer neueren Generation nur zu 98 % auf. Dies ist eine Sicherheitsmaßnahme zum Schutz und zur Verlängerung der Lebensdauer Ihres Akkus. Yeti Lithium-Ladestationen der zweiten Generation, die mit den neuesten Firmware-Updates ausgestattet sind, können zu 100% aufgeladen werden.

Frage: Wenn man den Link in den Fahrzeug-Modus schaltet, bleibt er dann im Fahrzeug-Modus, bis man ihn wieder in den Tank-Modus schaltet?

Antwort: Der Yeti Link bleibt so lange im Fahrzeug-Modus, bis Sie ihn manuell wieder in den Tank-Modus zurückschalten. Wenn Sie das Gerät von Ihrem Fahrzeug entfernen, um es dann mit den Tankbatterien bei Ihnen zu Hause zu verketteten, müssen Sie den Link vom Fahrzeug-Modus in den Tank-Modus umschalten.

Frage: Würde das Solar-Panel auch dann noch Strom in die Fahrzeugbatterie einspeisen, wenn das Fahrzeug nicht in Betrieb ist?

Antwort: Ja, wenn Sie ein Solar-Panel direkt an den 8-mm-Anschluss des Yeti Link angeschlossen haben, lädt das Panel sowohl den Yeti als auch Ihre Fahrzeugbatterie auf, wenn das Fahrzeug nicht in Betrieb ist.

Yeti Link-Erweiterungsmodul**80 A Maximalstrom von externen Tanks/Stromquelle zur internen Lithiumbatterie des Yeti****Lädt Folgendes:**

GOAL ZERO Yeti 1000X bei max. Eingang	605 W
---------------------------------------	-------

GOAL ZERO Yeti 1500X bei max. Eingang	750 W
---------------------------------------	-------

GOAL ZERO Yeti 3000X bei max. Eingang	750 W
---------------------------------------	-------

GOAL ZERO Yeti 6000X bei max. Eingang	750W
---------------------------------------	------

Anschlüsse: Überschreiten Sie einen Eingang von 22 V nicht

8-mm-Aufladeanschluss	14 - 22 V, 100 W oder 7.5 A nicht überschreiten
-----------------------	---

Externer Batterieanschluss	80 A Maximalstrom 10,7 - 15 V
----------------------------	----------------------------------


Allgemein:

Gewicht	680 g
---------	-------

Abmessungen	26 x 8,4 x 3,8 cm
-------------	-------------------

Betriebstemperatur	0 - 40 °C
--------------------	-----------

Garantie	12 Monate
----------	-----------

Zertifikate	 CE
-------------	--

⚠️ INSTRUCCIONES DE SEGURIDAD IMPORTANTES ⚠️

Por favor, guarde estas instrucciones

Lea todas las instrucciones y precauciones antes de comenzar la instalación.

No se asume ninguna responsabilidad por los daños que resulten del uso de la información aquí contenida.

PRECAUCIÓN: El Goal Zero Yeti Link produce amperajes muy altos. Use solo con cables Goal Zero. Los cables o conectores modificados o los cables o conectores de terceros pueden ser incompatibles y pueden causar daños a componentes, vehículos o personas.

ADVERTENCIA Para reducir el riesgo de incendio, lesiones a personas o daños a la propiedad, use solo de la manera prevista por Goal Zero

NO desmonte ni intente reparar el módulo.

NO permita que entre agua en el módulo, en el Goal Zero Yeti Lithium ni en el Goal Zero Yeti Tank.

Asegúrese de que el cable esté completamente insertado y firmemente en su lugar antes de usarlo. Compruebe los usos posteriores. Si tiene preguntas, comuníquese con el Centro de Soluciones por support@goalzero.com o llame al 1-888-794-6250

NO conecte en serie paneles solares o baterías de plomo y ácido de terceros (conectando el positivo al negativo, positivo al negativo, etc.), ya que esto podría provocar peligrosos niveles altos de voltaje que podrían originar graves daños en el Yeti Lithium y posibles daños personales.

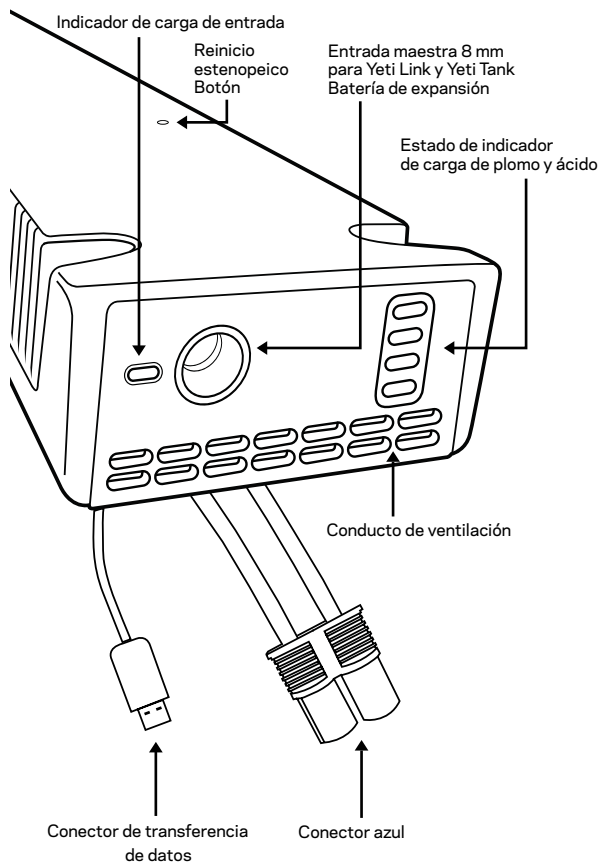
Compatible con Yeti 1000, 1000X, 1400, 1500X, 3000, 3000X y Estaciones de Energía Lithium Yeti 6000X

⚠️ ADVERTENCIA: no conecte nunca una fuente de alimentación al Yeti Link antes de instalar en el Yeti. Conecte siempre el Link al Yeti antes de conectarlo a una fuente de alimentación.

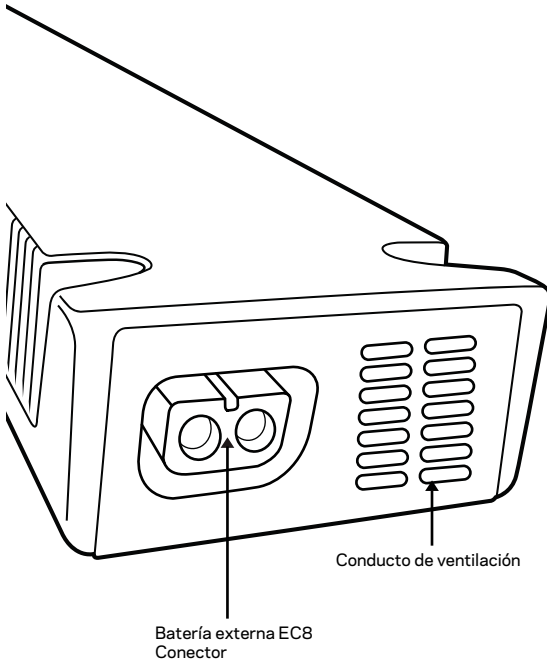
⚠️ ADVERTENCIA: no supere los 22 V de entrada en el Link. Si lo hace, podría provocar graves daños al Yeti y posibles daños personales. Consulte los voltajes cuando utilice paneles solares o baterías de plomo y ácido de terceros con el módulo. No conecte en serie paneles solares o baterías de plomo y ácido (positivo al negativo, positivo al negativo, etc.), ya que esto podría provocar altos voltajes peligrosos.

CONOZCA SU EQUIPO

Frontal del módulo Link Expansion



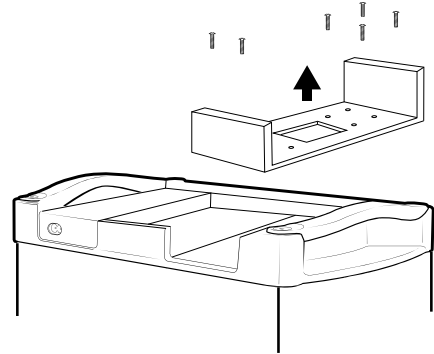
Trasera del módulo Link Expansion



⚠ Asegúrese de que el cable esté completamente insertado y firmemente en su lugar antes de usarlo. Compruebe los usos posteriores. Si tiene preguntas, comuníquese con el Centro de Soluciones por support@goalzero.com o llame al 1-888-794-6250

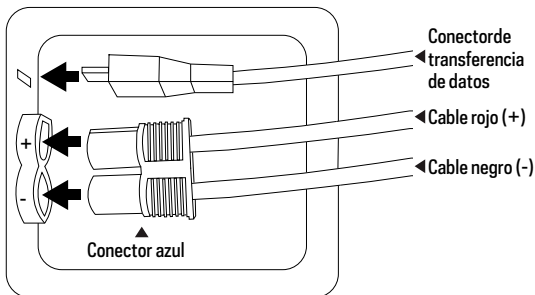
Herramientas necesarias: destornillador Phillips

1. Desconecte todos los puertos de salida y desenchufe el Yeti de la fuente de alimentación.

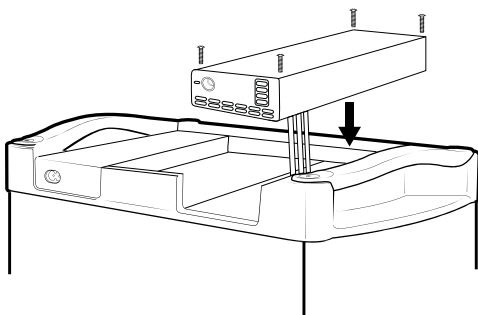


2. Abra la tapa del Yeti y extraiga el carro del módulo de expansión del mismo retirando los seis tornillos y deslizando el carro hacia fuera.
 - a. Use ambas manos para sacar el carro del módulo de expansión de su posición.
3. Observe los terminales positivo y negativo en el puerto del módulo del Yeti y en el conector azul del Link. Inserte el conector azul en el puerto del módulo del Yeti, uniendo el positivo con el positivo y el negativo con el negativo.
4. Inserte el conector micro-USB del Link en el puerto micro-USB del Yeti.

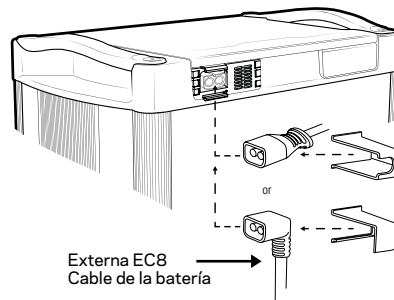
⚠ **ADVERTENCIA:** no supere los 22 V de entrada en el módulo. Si lo hace, podría provocar graves daños al Yeti y posibles daños personales. Consulte los voltajes cuando utilice paneles solares de terceros con el módulo. No conecte en serie los paneles solares (positivo al negativo, positivo al negativo, etc.), ya que esto podría provocar altos voltajes peligrosos.



5. Coloque cuidadosamente el Link en su sitio, plegando los cables sobre la apertura.
6. Fije el Link en su posición usando los cuatro tornillos suministrados.
7. Conecte la fuente de alimentación al Link usando el puerto de 8 mm.



▲ Asegúrese de que el cable esté completamente insertado y firmemente en su lugar antes de usarlo. Compruebe los usos posteriores. Si tiene preguntas, comuníquese con el Centro de Soluciones por support@goalzero.com o llame al 1-888-794-6250

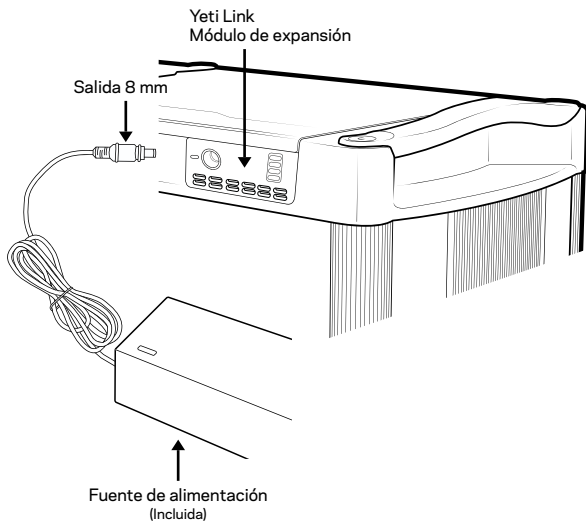
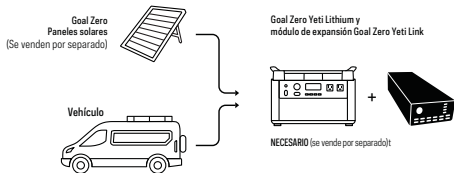


8. Proceda a enchufar el cable EC8 y deslice el soporte del cable EC8 recto o de 90 grados sobre el cable y en las ranuras del Link Lock. Cuando la fuente de alimentación esté enchufada correctamente, la luz indicadora de carga de entrada se volverá azul. Cuando el tanque esté correctamente conectado al Link y la fuente de alimentación esté conectada, la luz indicadora de estado de carga de plomo-ácido parpadeará en color verde. **NOTA:** cuando realice las conexiones, todos los LED se encenderán y se apagaran antes de mostrar las luces correctas. Este proceso puede durar hasta 30 segundos.
9. La fuente de alimentación cargará primero el Yeti. Cuando el Yeti esté completamente cargado, la energía empezará a almacenarse en el tanque. **NOTA:** La energía proveniente del puerto de 8 mm fluirá primero a través del Tank y luego al Yeti. Sin un Tank o batería de terceros conectada, este puerto no cargará el Yeti directamente.

▲ Asegúrese de que el cable esté completamente insertado y firmemente en su lugar antes de usarlo. Compruebe los usos posteriores. Si tiene preguntas, comuníquese con el Centro de Soluciones por support@goalzero.com o llame al 1-888-794-6250

CÓMO FUNCIONA - MODO ALMACENAMIENTO DE ENERGÍA EN EL HOGAR

El módulo de expansión Goal Zero Yeti Link se integra con una estación de alimentación portátil Goal Zero Yeti Lithium o Yeti X y una batería de expansión de tanque Goal Zero Yeti para aumentar su capacidad de almacenamiento de energía. El Link es un controlador de carga de litio que extraerá hasta 80 A de corriente máxima de una fuente de alimentación de plomo-ácido.



1. Una vez que el módulo de enlace esté instalado en el Yeti, podrá conectar los tanques de expansión Goal Zero Yeti. Para hacer esto, tome el cable ECB macho del tanque de expansión y conéctelo al conector de batería externa ECB en el módulo de enlace que está instalado en la estación de alimentación Yeti.
2. Luego, tome la fuente de alimentación incluida o un panel solar Goal Zero (se vende por separado) y enchufe el conector de barril de 8 mm (anillo azul) en el puerto de entrada de 8 mm en el módulo de enlace. Nota: No conecte un tanque a sí mismo cuando haya varios tanques conectados.
3. La energía fluirá hacia la batería y luego hacia la estación de alimentación Yeti. Una vez que la estación de alimentación esté llena, la energía comenzará a llenar el tanque.

NOTA

1. El puerto de entrada de 8 mm del Link es la única manera de cargar tanto el Yeti como el tanque. Los puertos de entrada del Yeti solo cargarán el Yeti, no el tanque.
2. Cuando el Link y Tank están instalados correctamente, la energía pasa a través del puerto de 8 mm al Tank y luego al Yeti. Por lo tanto, sin un Tank o una batería de terceros conectada, no puede cargar el Yeti directamente usando el puerto de 8 mm en el Link.

⚠ ADVERTENCIA: no supere los 22 V de entrada en el módulo. Si lo hace, podría provocar graves daños al Yeti y posibles daños personales. Consulte los voltajes cuando utilice paneles solares de terceros con el módulo. No conecte en serie los paneles solares (positivo al negativo, positivo al negativo, etc.), ya que esto podría provocar altos voltajes peligrosos.

⚠ INSTRUCCIONES DE SEGURIDAD IMPORTANTES ⚠

Por favor, guarde estas instrucciones

Lea todas las instrucciones y precauciones antes de comenzar la instalación.

Goal Zero recomienda que la instalación del kit de carga para vehículos Yeti Link sea realizada por un profesional capacitado. Bajo ninguna circunstancia se debe instalar Goal Zero Yeti Link sin las habilidades técnicas, información técnica, herramientas y equipos precisos para completar correctamente los procedimientos necesarios.

NO instale una batería secundaria entre la batería y el módulo Yeti Link

Las conexiones incorrectas dañarán los cables del módulo/accesorio Yeti Link y/o causarán lesiones graves o la muerte. Asegúrese de que todo el cableado esté conectado a la polaridad adecuada

Asegúrese de que los cables estén bien conectados. Compruebe los cables periódicamente, especialmente antes y después de usar carreteras irregulares

Confirme que los cables estén instalados correctamente sin riesgo de pinzamiento o abrasión. El pinzamiento de los cables o cualquier medio de exponer los cables internos puede provocar fallos de funcionamiento o incendios

Mantenga los cables con corriente, terminales y otras partes desnudas alejadas del contacto entre sí y otras partes metálicas

Utilice siempre protección para los ojos al realizar las conexiones de la batería

Utilice siempre arandelas aislantes de goma al perforar paneles de acero para pasar el cable EC8

Nunca pase cables eléctricos por bordes afilados

Nunca coloque cables eléctricos cerca de partes que se calienten

Nunca pase cables eléctricos sobre los terminales de la batería

Nunca pase cables eléctricos a través o cerca de piezas móviles

Los cables eléctricos deben estar a salvo de las salpicaduras de la carretera, los escurrimientos de lluvia, la arena o la grava de la superficie de la carretera.

Goal Zero rechaza cualquier responsabilidad por problemas y daños causados por la instalación del sistema por parte de personal no capacitado.

El propietario del vehículo es responsable del correcto funcionamiento del aparato

Manténgase alejado de fuentes de calor (por ejemplo, demasiado cerca de los componentes del sistema de escape o directamente detrás del radiador, etc.).

⚠ ADVERTENCIA: Para reducir el riesgo de incendio, lesiones a personas o daños a la propiedad, utilícelo solo de la manera prevista por Goal Zero

⚠ ADVERTENCIA: El kit de carga para vehículos Goal Zero Yeti Link transmite energía al módulo Link y al Yeti a amperajes muy altos de hasta 80 A de corriente máxima. Tenga mucho cuidado al instalar. En la instalación utilice únicamente los cables y conexiones suministrados por Goal Zero. Si se instala con conexiones de terceros o se realizan alteraciones en los cables suplementados por Goal Zero, pueden producirse daños en los componentes, el vehículo o las personas.

⚠ Advertencia: Las conexiones incorrectas dañarán el kit de carga para vehículos Yeti Link y/o causarán lesiones graves o la muerte. Asegúrese de que todo el cableado esté conectado a la polaridad adecuada

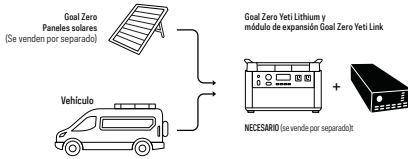
⚠ ADVERTENCIA: no conecte nunca una fuente de alimentación al Yeti Link antes de instalar en el Yeti. Conecte siempre el Link al Yeti antes de conectarlo a una fuente de alimentación.

⚠ ADVERTENCIA: no supere los 22 V de entrada en el Link. Si lo hace, podría provocar graves daños al Yeti y posibles daños personales. Consulte los voltajes cuando utilice paneles solares o baterías de plomo y ácido de terceros con el módulo. No conecte en serie paneles solares o baterías de plomo y ácido (positivo al negativo, positivo al negativo, etc.), ya que esto podría provocar altos voltajes peligrosos.

NOTA: Si el alternador de su vehículo tiene una potencia nominal inferior a 150 amperios, no lo deje en ralentí para cargar la central eléctrica Yeti. La carga inactiva de la central eléctrica Yeti podría hacer que su alternador se sobrecaliente y acortar la vida útil de su alternador.

CÓMO FUNCIONA - MODO VEHÍCULO

Recargue rápida y fácilmente una Yeti Lithium (1000 o superior) desde su vehículo mientras está en movimiento. Las tasas de carga varían de 25 A a 80 A de corriente máxima (300 W a 750 W) según el tamaño y la capacidad del Yeti Lithium.

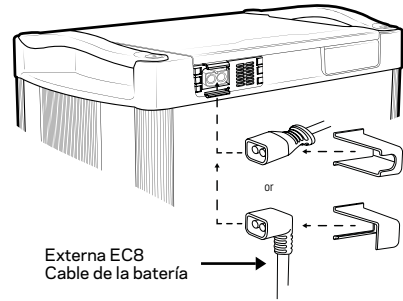
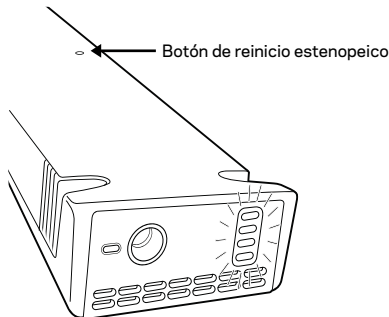


Cómo funciona

Cuando se coloca en "Modo vehículo", el Yeti Link permite que su Yeti Lithium extraiga, de manera segura, la energía del alternador de su vehículo mientras el vehículo está en marcha y deje de usar la energía cuando el vehículo está apagado.

NOTA: Yeti Link debe estar en modo vehículo para utilizar esta función o agotará la batería de su vehículo. Todos los enlaces vienen configurados de forma estándar en "Modo tanque".

- Una vez que Link esté instalado en Yeti, cambie Link del modo tanque al modo vehículo presionando el orificio del botón de reinicio en la parte superior del enlace cuatro veces.
- Las luces direccionales se encenderán y parpadearán cuando el Link se coloca con éxito en Modo vehículo.
- Para volver al modo tanque, presione el orificio del botón de reinicio en la parte superior del enlace cuatro veces más. Las luces direccionales se desplazarán de abajo hacia arriba individualmente cuando el enlace se coloque correctamente en el Modo tanque. **NOTA:** NO vuelva a colocarlo en Modo tanque mientras esté conectado a su vehículo.



- Una vez que Link cambie al modo Vehículo, podrá conectarse a sus vehículos +/- batería o alternador. Usando el cable de extensión Goal Zero EC8.
 - Tenga en cuenta solo usar cables Goal Zero auténticos para hacer esto.
 - NO use más de un cable de extensión
 - NO tenga una batería secundaria entre el módulo de enlace y el alternador del vehículo o la batería principal
- Conecte el cable de terminal de anillo a los terminales positivo y negativo de la batería principal o del alternador.
- Las conexiones incorrectas dañarán los cables del módulo/accesorio Yeti Link y/o causarán lesiones graves o la muerte. Asegúrese de que todo el cableado esté conectado a la polaridad adecuada
- Conecte el extremo macho del cable de terminal de anillo EC8 en el extremo hembra del cable de extensión EC8.
- Enchufe el extremo macho del cable de extensión en el puerto EC8 externo del módulo de enlace.
 - Asegúrese de que los cables estén bien conectados. Compruebe los cables periódicamente, especialmente antes y después de usar en carreteras irregulares.

⚠ Advertencia: asegúrese de utilizar solo productos Goal Zero entre su Link y Alternador. No se admite ni se recomienda ningún otro cable o cableado, ya que estos cables deben estar clasificados para transportar un mínimo de 80 A de corriente máxima

Asegúrese de que el cable esté completamente insertado y firmemente en su lugar antes de usarlo. Compruebe los usos posteriores. Si tiene preguntas, comuníquese con el Centro de Soluciones por support@goalzero.com o llame al 1-888-794-6250

LUZ INDICADORA DE CARGA

Indicador de carga de entrada:

AZUL PARRADEANTE - La fuente de alimentación está correctamente conectada a la entrada de 8 mm y la carga está activa.

AZUL - La batería de plomo y ácido está cargada.

Indicador de estado de carga de plomo-ácido:

1 LUZ LED : la batería de plomo-ácido está llena en un 25 % o menos

2 LUCES LED - La batería de plomo-ácido está al 25 % - 50 % de su capacidad

3 LUCES LED - La batería de plomo-ácido está 50 % - 75 % llena

TODAS LAS LUCES LED : la batería de plomo-ácido está llena al 75 % o más

Error LED

ROJO INTERMITENTE : el Yeti está en una condición de sobrevoltaje o la batería de plomo-ácido está en una condición de bajo voltaje. Desconecte todos los cables del tanque tanto del Link como del Yeti y llame a nuestros expertos en energía solar al 888-794-6250.

NOTA

1 El puerto de 8 mm del Link es la única forma de cargar tanto el Yeti como el Tank. Los puertos de entrada del Yeti solo cargarán el Yeti, no el tanque.

2 Cuando Link y Tank están instalados correctamente, la energía pasa a través del puerto de 8 mm al Tank y luego al Yeti. Por lo tanto, sin un Tank o una batería de terceros conectada, no puede cargar el Yeti directamente usando el puerto de 8 mm en el Link.

PREGUNTAS FRECUENTES

P: Estoy cargando el Yeti. Está conectado a una o más baterías de tanque, pero estas no se cargan. ¿Qué hago?

R: En primer lugar, asegúrese de que carga el sistema mediante la entrada del Link. Esta entrada es la única que permite cargar tanto su/s tanque/s como el Yeti al mismo tiempo. Si está utilizando la entrada correcta y aún tiene un problema, intente restablecerlo reinstalando su Link.

P: He instalado el Link en el Yeti, he conectado las baterías y no veo que se cargue. ¿Qué ocurre?

R: En la instalación inicial, el Link necesita un tiempo para identificar el tipo de Yeti conectado y maximizar el rendimiento. El proceso de arranque puede tardar hasta 30 segundos.

P: ¿Puedo usar baterías de plomo y ácido de terceros que no sean Goal Zero con el Link?

R: Sí, puede usar cualquier batería de plomo y ácido de ciclo profundo y 12 V SLA o AGM con el Link. Sin embargo, necesitará un cable de encadenamiento de enlace macho Goal Zero para conectar las baterías al enlace, aunque no se recomienda.

P: Si uso otras baterías de plomo y ácido, ¿cómo tengo que conectarlas?

R: Cuando conecte múltiples baterías de plomo y ácido de 12 V a su Link, asegúrese de conectar las baterías en paralelo. Las conexiones en paralelo incrementarán la tensión, pero el voltaje se mantendrá igual.

ADVERTENCIA: la conexión de baterías en serie puede incrementar el voltaje, causando daños a la unidad y posibles daños personales graves o fatales.

P: ¿Cuántas baterías de plomo y ácido puedo conectar al Link?

R: Puede conectar al Link tantas baterías de plomo y ácido de 12 V como quiera.

P: ¿Por qué mi Link solo carga el Yeti hasta el 98 %?

R: El Link solo cargará un Yeti Lithium de nueva generación al 98 %. Esta protección sirve para proteger y prolongar la vida útil de su batería. Las unidades de alimentación Yeti Lithium de segunda generación, equipadas con las últimas actualizaciones de firmware, pueden cargarse al 100 %.

P: Una vez que pones el Link en modo Vehículo, ¿permanece en Modo Vehículo hasta que lo vuelves a poner en Modo Tanque?

R: El Yeti Link permanecerá en modo Vehículo hasta que lo cambie manualmente al modo Tanque. Si mueve la unidad de su vehículo para luego encadenarla a las baterías del tanque en su hogar, deberá cambiar el Link del Modo vehículo al Modo tanque.

P: ¿La energía solar todavía alimentaría la batería del vehículo cuando el vehículo no está funcionando?

R: Sí, si tiene un panel solar conectado directamente al puerto de 8 mm del Yeti Link, el panel cargará tanto el Yeti como la batería de su vehículo cuando no esté funcionando.

Módulo de expansión Yeti Link

Corriente máxima de 80 A desde tanques externos/fuente de alimentación a la batería de litio interna del Yeti

Carga lo siguiente:

GOAL ZERO Yeti 1000X @ entrada máxima 605 W

GOAL ZERO Yeti 1500X @ entrada máxima 750 W

GOAL ZERO Yeti 3000X @ entrada máxima 750 W

GOAL ZERO Yeti 6000X @ entrada máxima 750W

Puertos: no supere el voltaje de entrada de 22 V

Puerto de carga de 8 mm 14 - 22 V, no superar 100 W o 7.5 A

Conector de batería externa Corriente máxima de 80 A 10,7 - 15 V


Datos generales:

Peso 1,5 lbs (680 g)

Dimensiones 10,25 x 3.3 x 1.5 in (26 x 8.4 x 3.8 cm)

Temperatura en funcionamiento 32-104 °F (0-40 °C)

Garantía 12 meses

Certificaciones 

⚠️ ISTRUZIONI IMPORTANTI PER LA VOSTRA SICUREZZA ⚠️

Si prega di conservare le presenti istruzioni

Leggere tutte le istruzioni e le avvertenze prima di cominciare l'installazione.

Non si assume alcuna responsabilità per danni derivanti dall'utilizzo delle informazioni contenute nel presente documento.

ATTENZIONE: L'apparecchio Goal Zero Yeti Link emette un amperaggio molto elevato. Utilizzare esclusivamente con cavi Goal Zero. Cavi o connettori modificati oppure cavi o connettori di terze parti potrebbero risultare incompatibili e potrebbero causare danni alle componenti, veicoli o persone.

ATTENZIONE Per ridurre il rischio di incendio, danni a persone o cose, usare solo nei modi previsti da Goal Zero

NON smontare o cercare di riparare il modulo.

NON permettere all'acqua di entrare nel modulo, nel Goal Zero Yeti Lithium o nel Goal Zero Yeti Tank.

Prima dell'uso, assicurarsi che il cavo sia inserito completamente e che sia ben saldo nella sua sede. Verificarne le condizioni a seguito di utilizzazioni ripetute. Per eventuali dubbi o domande contattare il Centro assistenza all'indirizzo email support@goalzero.com oppure al numero 1-888-794-6250

Pannelli solari di altre marche o batterie piombo-acido **NON** devono essere collegati in serie (ovvero collegare la parte positiva con la negativa di un'altra batteria) in quanto ciò può provocare livelli di tensione pericolosamente elevati che possono causare danni gravi all'apparecchio Yeti Lithium, e potenzialmente causare lesioni corporali.

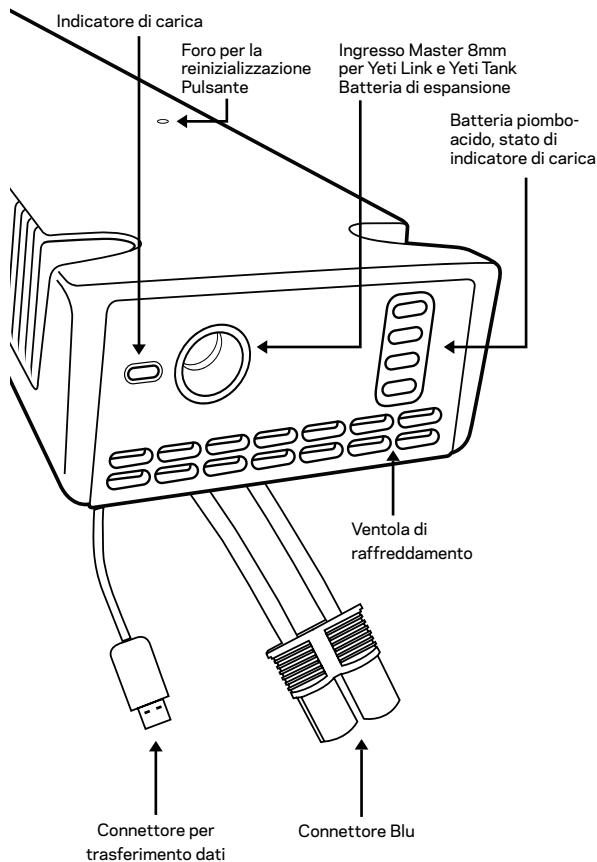
Compatibile con le Lithium Power Stations Yeti 1000, 1000X, 1400, 1500X, 3000, 3000X, e Yeti 6000X.

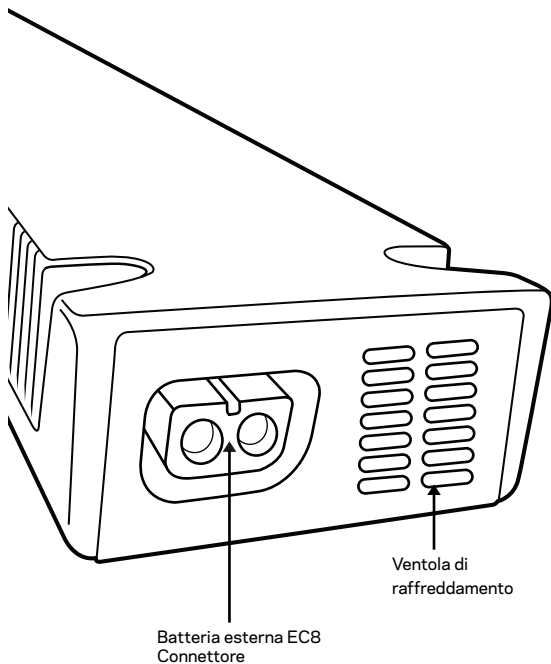
⚠️ ATTENZIONE: Non connettere mai una fonte di alimentazione allo Yeti Link prima di averlo connesso allo Yeti. Connettere sempre il Link allo Yeti prima di connettere una fonte di alimentazione.

⚠️ ATTENZIONE: Non superare i 22V in ingresso per il Link. Ciò potrebbe causare gravi danni allo Yeti e lesioni corporali. Prendere nota dei voltaggi quando si usa il modulo con pannelli solari di terze parti o batterie piombo-acido di terze parti. Pannelli solari o batterie piombo-acido **NON** devono essere collegati in serie (ovvero collegare gli apparecchi seguendo lo schema: positivo con negativo, positivo con negativo, ecc) in quanto ciò può provocare livelli di tensione pericolosamente elevati.

CARATTERISTICHE ESTERNE DELL'APPARECCHIO

Parte anteriore del Modulo di Espansione Link

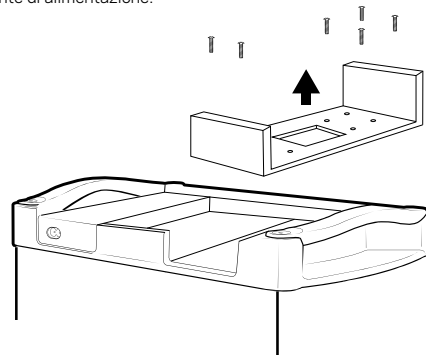


Parte posteriore del kit Link Expansion


▲ Prima dell'uso, assicurarsi che il cavo sia inserito completamente e che sia ben saldo nella sua sede. Verificarne le condizioni a seguito di utilizzazioni ripetute. Per eventuali dubbi o domande contattare il Centro assistenza all'indirizzo email support@goalzero.com oppure al numero 1-888-794-6250

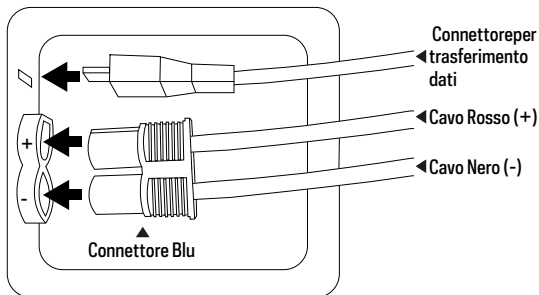
Attrezzi necessari: Cacciavite tipo Phillips

1. Spegnerne tutte le porte di uscita e scollegare lo Yeti da qualsiasi fonte di alimentazione.

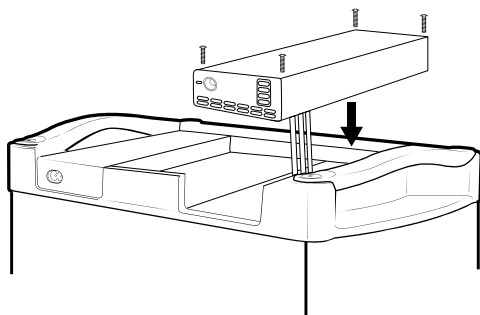


2. Aprire il coperchio dello Yeti e rimuovere il supporto del modulo di espansione dallo Yeti rimuovendo le sei viti e facendo sfilare il supporto.
 - a. Utilizzare entrambe le mani per levare il kit di espansione dalla sua sede.
3. Prendere nota dei terminali positivi e negativi sia sulla porta del modulo Yeti, che sul connettore blu del Link. Inserire il connettore blu nella porta del modulo sullo Yeti, facendo corrispondere il positivo con il positivo, il negativo con il negativo.
4. Inserire il connettore micro-USB sul Link nella porta micro-USB dello Yeti.

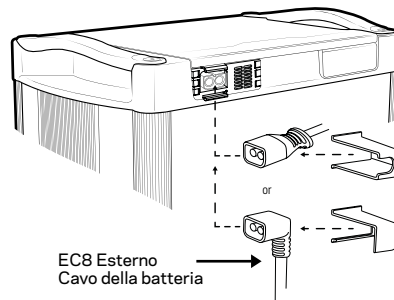
▲ **ATTENZIONE:** Non superare i 22V in ingresso nel modulo. Ciò potrebbe causare gravi danni allo Yeti e lesioni corporali. Prendere nota dei voltaggi quando si usa il modulo con pannelli solari di terzi. I pannelli solari non devono essere collegati in serie (ovvero collegare gli apparecchi seguendo lo schema: positivo con negativo, positivo con negativo, ecc) in quanto ciò può provocare livelli di tensione pericolosamente elevati.



5. Posizionare delicatamente il Link nella sua sede, infilando i cavi nell'apertura.
6. Fissare il dispositivo Link nella sua sede utilizzando le quattro viti in dotazione
7. Collegare la fonte di alimentazione al Link utilizzando la presa 8mm.



▲ Prima dell'uso, assicurarsi che il cavo sia inserito completamente e che sia ben saldo nella sua sede. Verificarne le condizioni a seguito di utilizzazioni ripetute. Per eventuali dubbi o domande contattare il Centro assistenza all'indirizzo email support@goalzero.com oppure al numero 1-888-794-6250

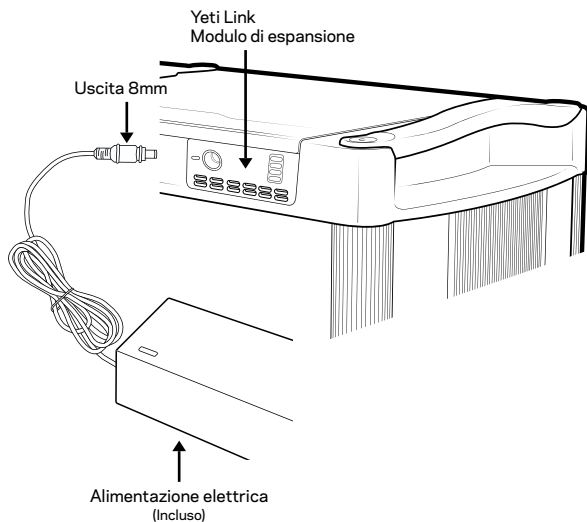
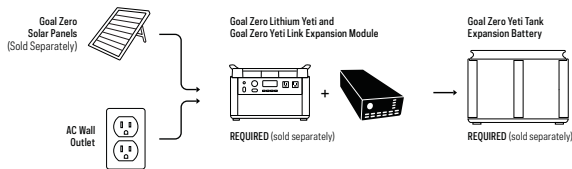


8. Procedere all'inserimento del cavo EC8. Far scorrere il portacavo EC8 dritto o il portacavo a 90 gradi sopra il cavo e nelle fessure del Link Lock. Se la fonte di alimentazione è inserita correttamente, la spia dell'indicatore di carica in ingresso diventerà blu. Quando la Tank (riserva) è collegata in modo corretto al Link e la presa di alimentazione è connessa, l'indicatore di carica della batteria piombo-acido inizierà a lampeggiare verde. **NOTA:** Al momento della connessione, prima di indicare i valori corretti, tutte le luci LED si accenderanno e si spegneranno. Questa operazione può durare fino a 30 secondi.
9. L'alimentazione caricherà prima lo Yeti. Quando lo Yeti sarà completamente carico, l'energia comincerà ad accumularsi nella Tank. **NOTA:** L'energia proveniente dalla porta da 8 mm passerà prima attraverso la Tank e poi nello Yeti. Questa porta non caricherà direttamente lo Yeti in assenza di una riserva o di una batteria di terzi collegata all'apparecchio.

▲ Prima dell'uso, assicurarsi che il cavo sia inserito completamente e che sia ben saldo nella sua sede. Verificarne le condizioni a seguito di utilizzazioni ripetute. Per eventuali dubbi o domande contattare il Centro assistenza all'indirizzo email support@goalzero.com oppure al numero 1-888-794-6250

COME FUNZIONA IN MODALITÀ DI ACCUMULO DI ENERGIA DOMESTICA (HOME ENERGY STORAGE MODE).

Il modulo di espansione Yeti Link di Goal Zero (Yeti Link Expansion Module) si integra con Yeti Lithium (Goal Zero Yeti Lithium) o con la stazione di energia portatile Yeti X (Yeti X Portable Power Station) di Goal Zero e con la batteria di espansione della riserva (Yeti Tank Expansion Battery) Yeti per aumentare la capacità di accumulo dell'energia. Il Link è un regolatore di carica al litio che preleva fino a 80A di corrente massima da una fonte di alimentazione al piombo-acido.



1. Una volta che il modulo Link sarà installato nello Yeti, sarà possibile collegare le riserve di espansione Yeti (Yeti Expansion Tank) di Goal Zero. Per procedere a questa operazione, connettere il cavo maschio ECB del serbatoio di espansione (Expansion Tank) al connettore ECB della batteria esterna sul modulo Link, a sua volta installato sulla stazione di energia Yeti (Yeti Power Station).
2. In seguito prendere o l'alimentatore incluso o un pannello solare Goal Zero (venduto separatamente) e inserire il connettore cilindrico di 8mm (anello blu) nella porta di ingresso di 8mm sul modulo Link.
Nota: Non collegare un serbatoio (Tank) a se stesso quando sono collegati più serbatoi.
3. L'energia passerà prima nella batteria e poi nella stazione di energia Yeti (Yeti Power Station). Quando la stazione di energia sarà piena, l'energia comincerà a caricare la riserva (Tank).

NOTA

1. La porta di input da 8mm sullo Yeti Link è l'unico canale per caricare sia lo Yeti che il Tank. Le porte di ingresso sul display dello Yeti caricheranno solo lo Yeti, non il Tank.
2. Quando Link e Tank sono installati correttamente, l'energia scorre dal Tank allo Yeti attraverso la porta da 8mm. Di conseguenza, senza un Tank o una batteria di terzi collegata, non è possibile caricare lo Yeti usando direttamente la porta da 8 mm sul Link.

⚠ ATTENZIONE: Non superare i 22V in ingresso nel modulo. Ciò potrebbe causare gravi danni allo Yeti e lesioni corporali. Prendere nota dei voltaggi quando si usa il modulo con pannelli solari di terzi. I pannelli solari non devono essere collegati in serie (ovvero collegare gli apparecchi seguendo lo schema: positivo con negativo, positivo con negativo, ecc) in quanto ciò può provocare livelli di tensione pericolosamente elevati.

⚠ ISTRUZIONI IMPORTANTI PER LA VOSTRA SICUREZZA ⚠

Si prega di conservare le presenti istruzioni

Leggere tutte le istruzioni e le avvertenze prima di cominciare l'installazione.

Goal Zero raccomanda che l'installazione del kit di ricarica per veicoli Yeti (Yeti Link Vehicle Charging kit) sia fatta da un professionista qualificato. Lo Yeti Link di Goal Zero non dovrà essere installato per nessuna ragione senza aver prima acquisito le competenze tecniche necessarie e senza essere in possesso delle informazioni tecniche, e degli strumenti e le attrezzature necessarie per completare correttamente le procedure di installazione.

NON installare una batteria supplementare tra la batteria e il modulo Yeti Link.

Collegamenti non corretti possono danneggiare il modulo Yeti Link / i cavi ausiliari e/o causare ferite gravi o mortali. Assicurarsi che tutti i cavi siano collegati alla polarità corrispondente.

Assicurarsi che i cavi siano collegati in modo sicuro. Controllare regolarmente i cavi, specialmente prima e dopo aver guidato su strade dissestate.

Verificare che i cavi siano installati correttamente senza rischi di schiacciamento o abrasione. Lo schiacciamento dei cavi o l'esposizione di cavi interni in qualsiasi altra maniera, possono causare malfunzionamenti o incendi

Evitare che i fili sotto tensione, i terminali e le altre parti esposte entrino in contatto tra loro e con altre parti metalliche

Indossare sempre una protezione per gli occhi quando si eseguono i collegamenti della batteria

Utilizzare sempre un occhio isolante in gomma quando si perforano pannelli in acciaio per far passare il cavo ECB

Non posare mai i cavi elettrici su spigoli vivi

Non posare mai i cavi elettrici vicino a parti che diventano calde.

Non posare mai i cavi elettrici sui terminali della batteria

Non posare mai i cavi elettrici tra parti in movimento o in prossimità di esse

I cavi elettrici devono essere al riparo da spruzzi, dall'acqua piovana, dalla sabbia o dalla ghiaia del manto stradale.

Goal Zero declina ogni responsabilità per problemi e danni causati dall'installazione del sistema da parte di personale non qualificato.

Il proprietario del veicolo è responsabile del corretto funzionamento dell'apparecchio

Tenere lontano da fonti di calore (ad es. troppo vicino ai componenti del sistema di scarico o direttamente dietro il radiatore, ecc.)

ATTENZIONE: Per ridurre il rischio di incendio, danni a persone o cose, usare solo nei modi previsti da Goal Zero

ATTENZIONE: Il kit di ricarica per veicoli Yeti Link di Goal Zero (Goal Zero Yeti Link Vehicle Charging Kit) trasmette l'energia nel modulo Link e Yeti ad amperaggi molto elevati fino a 80A di corrente massima. Prestare la massima attenzione durante l'installazione. Per l'installazione utilizzare solo i cavi e i connettori forniti da Goal Zero. Si può incorrere a danni a componenti, al veicolo o alle persone se i cavi forniti da Goal Zero sono installati con connettori di terzi o se si eseguono delle modifiche agli stessi.

Attenzione: Collegamenti non corretti possono danneggiare il kit di ricarica del veicolo Yeti Link (Yeti Link Vehicle Charging kit) e/o causare lesioni gravi o morte. Assicurarsi che tutti i cavi siano collegati alla polarità corrispondente.

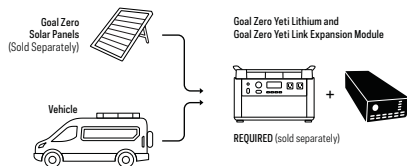
ATTENZIONE: Non connettere mai una fonte di alimentazione allo Yeti Link prima di averlo connesso allo Yeti. Connettere sempre il Link allo Yeti prima di connettere una fonte di alimentazione.

ATTENZIONE: Non superare i 22V in ingresso per il Link. Ciò potrebbe causare gravi danni allo Yeti e lesioni corporali. Prendere nota dei voltaggi quando si usa il modulo con pannelli solari di terze parti o batterie piombo-acido di terze parti. Pannelli solari o batterie piombo-acido **NON** devono essere collegati in serie (ovvero collegare gli apparecchi seguendo lo schema: positivo con negativo, positivo con negativo, ecc) in quanto ciò può provocare livelli di tensione pericolosamente elevati.

ATTENZIONE: Se il tuo veicolo ha un alternatore da meno di 150 Ampere, non far girare al minimo il motore del tuo veicolo per caricare la tua power station Yeti. Caricare la power station Yeti con un veicolo con il motore al minimo potrebbe causare il surriscaldamento dell'alternatore e accorciarne la vita utile.

ISTRUZIONI PER L'USO - LA MODALITÀ VEICOLO

Ricaricate rapidamente e facilmente uno Yeti Lithium (1000 o superiore) dal vostro veicolo mentre state guidando. I tassi di ricarica variano da 25A a 80A di corrente massima (300W - 750W) a seconda delle dimensioni e della capacità dello Yeti Lithium.

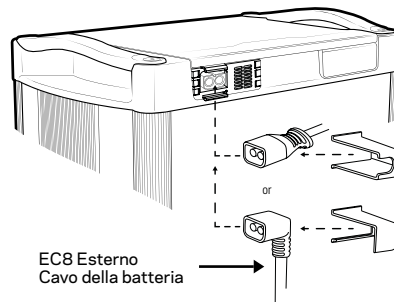
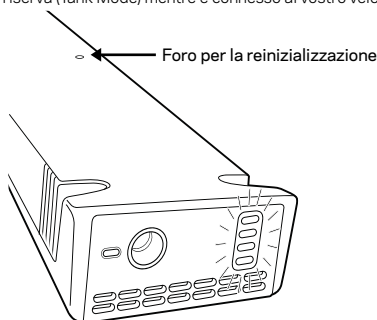


Come funziona

Quando è posizionato in Modalità Veicolo (Vehicle Mode), lo Yeti Link permette al vostro Yeti Lithium di estrarre in sicurezza l'energia dall'alternatore del veicolo mentre il veicolo è in funzione e di smettere di estrarre l'energia quando il veicolo è spento.

NOTA: Lo Yeti Link deve essere in modalità Veicolo (Vehicle Mode) per poter utilizzare questa funzione, altrimenti consumerà tutta la carica della batteria del veicolo. Tutti i Link sono venduti pre-programmati in modalità riserva (Tank Mode).

1. Dopo aver installato Link nello Yeti, cambiare da modalità serbatoio (Tank Mode) alla modalità veicolo (Vehicle Mode) premendo quattro volte il tasto nel foro di reinizializzazione sulla parte superiore di Link.
2. Gli indicatori luminosi si accenderanno e lampeggeranno insieme quando il Link sarà posizionato con successo in modalità veicolo (Vehicle Mode).
3. Per tornare alla modalità riserva (Tank Mode), premere il tasto nel foro per la reinizializzazione sulla parte superiore del Link altre quattro volte. Gli indicatori luminosi si accenderanno uno alla volta, dal basso verso l'alto, quando il Link sarà posizionato con successo in modalità riserva (Tank Mode). **ATTENZIONE:** NON rimettere l'apparecchio in modalità riserva (Tank Mode) mentre è connesso al vostro veicolo.



4. Dopo che Link è stato impostato sulla modalità Veicolo (Vehicle Mode), sarà possibile collegare una batteria +/- o un alternatore. Utilizzando il cavo prolunga Goal Zero.
 - Nota: per eseguire questa operazione utilizzare solo cavi Goal Zero autentici.
 - NON utilizzare un cavo prolunga più lungo.
 - NON inserire una batteria ausiliaria tra il modulo Link e l'alternatore del veicolo o la batteria principale.
5. Collegare il cavo del terminale ad anello ai poli positivo e negativo della batteria principale o a quelli dell'alternatore.
6. Collegamenti non corretti possono danneggiare il modulo Yeti Link / i cavi ausiliari e/o causare ferite gravi o mortali. Assicurarsi che tutti i cavi siano collegati alla polarità corrispondente.
7. Inserire l'estremità maschio del cavo a terminale ad anello EC8 nell'estremità femmina del cavo di prolunga EC8.
8. Inserire l'estremità maschio del cavo di prolunga da nella porta esterna EC8 del modulo Link.
 - Assicurarsi che i cavi siano collegati in modo sicuro. Controllare regolarmente i cavi, specialmente prima e dopo aver guidato su strade dissestate.

⚠ ATTENZIONE: Assicurarsi di usare solo prodotti Goal Zero per i collegamenti tra il Link e l'alternatore. Qualsiasi altro cavo o cablaggio non è supportato o raccomandato in quanto questi cavi devono essere omologati per trasportare una corrente massima di almeno 80A

Prima dell'uso, assicurarsi che il cavo sia inserito completamente e che sia ben saldo nella sua sede. Verificarne le condizioni a seguito di utilizzazioni ripetute. Per eventuali dubbi o domande contattare il Centro assistenza all'indirizzo email support@goalzero.com oppure al numero 1-888-794-6250

SPIA DI RICARICA IN CORSO.

Indicatore di carica in ingresso:

BLU LAMPEGGIANTE - La fonte di alimentazione è correttamente collegata all'ingresso 8mm e sta caricando l'apparecchio.
BLU - Batteria piombo-acido è completamente carica.

Indicatore di stato di carica della batteria piombo-acido:

1 SPIA LED ACCESA - La batteria piombo-acido è carica al 25%
2 SPIE LED ACCESE - La batteria piombo-acido è carica tra il 25% e il 50%
3 SPIE LED ACCESE - La batteria piombo-acido è carica tra il 50% e il 75%
TUTTE LE SPIE LED SONO ACCESE - La batteria piombo-acido è carica tra il 75% e il 100%

Segnali LED luminosi indicanti un errore

ROSSO LAMPEGGIANTE - Lo Yeti è in stato di sovratensione o la batteria al piombo-acido è in condizione di sottotensione.
Scollare tutti i cavi della riserva (Tank) da Link e Yeti e chiamare i nostri esperti di energia solare al numero 888-794-6250.

NOTA

1 La porta di input da 8mm sullo Yeti Link è l'unico accesso per caricare sia Yeti che il Tank. Le porte di ingresso sul display dello Yeti caricheranno solo lo Yeti, non il Tank.

Quando Link e Tank sono correttamente installati l'energia scorre attraverso la porta da 8 mm dal Tank allo Yeti. Di conseguenza, senza un Tank o una batteria di terzi collegata, non è possibile caricare lo Yeti usando direttamente la porta da 8 mm sul Link.

DOMANDE FREQUENTI

D: Sto caricando il mio Yeti ed esso è collegato ad una o più batterie Tank, ma le mie batterie Tank non si stanno caricando. Cosa devo fare?

R: Prima di tutto, assicuratevi di utilizzare sul vostro Link, l'ingresso dedicato per caricare il sistema. Questo ingresso è l'unico canale per caricare contemporaneamente il/i vostro/i Tank e lo Yeti. Se state usando l'ingresso corretto e il problema persiste, provate a resettare reinstallando il vostro Link.

D: Ho installato il mio Link nel mio Yeti, ho collegato le batterie ma l'apparecchio non mi indica che si sta caricando. Qual'è il motivo?

R: Al momento dell'installazione iniziale, il Link ha bisogno di tempo per identificare il tipo di Yeti al fine di massimizzarne le prestazioni. Possono essere necessari fino a 30 secondi prima che l'apparecchio cominci a funzionare.

D: Posso usare delle batterie piombo-acido di terzi, di una marca diversa da Goal Zero con il Link?

R: Sì, con il Link è possibile utilizzare qualsiasi batteria al piombo-acido a ciclo profondo a 12V SLA o AGM. Tuttavia, anche se questo procedimento non è consigliato, sarà necessario un cavo maschio di interconnessione (Male Link Chaining Cable) Goal Zero per collegare le batterie al Link.

D: Se uso le mie batterie al piombo-acido di terzi, come faccio a cablarle?

R: Quando si collegano più batterie piombo-acido a 12 V al vostro Link, assicuratevi di collegare le batterie in parallelo. Le connessioni in parallelo aumenteranno la vostra corrente nominale, ma la tensione rimarrà invariata.

ATTENZIONE: Il collegamento in serie delle batterie aumenterà la tensione, causando danni all'unità, potendo inoltre causare ferite alla persona o di morte.

D: Quante batterie al piombo-acido posso collegare al Link?

R: Non c'è un limite al numero di batterie al piombo-acido da 12 V che si possono collegare al Link.

D: Perché il Link carica lo Yeti solo fino al 98%?

R: Il Link caricherà un Yeti Lithium di ultima generazione solo fino al 98%. Questa è una protezione intrinseca per proteggere e prolungare la durata della batteria. Le stazioni di alimentazione al litio Yeti (Yeti Lithium power stations) di seconda generazione dotate degli ultimi aggiornamenti del firmware possono essere caricate al 100%.

D: Una volta messo il Link in modalità Veicolo (Vehicle Mode), rimane in modalità Veicolo fino a quando non lo si rimette in modalità Riserva (Tank Mode)?

R: Lo Yeti Link rimarrà in modalità Veicolo (Vehicle Mode) fino a quando non lo si riporterà manualmente in modalità Riserva (Tank Mode). Se si sposta l'unità dal proprio veicolo per poi agganciarla alle batterie della riserva di casa, sarà necessario far passare il Link dalla modalità veicolo (Vehicle Mode) alla modalità riserva (Tank Mode).

D: Il pannello solare potrebbe comunque alimentare la batteria del veicolo quando il veicolo non è in funzione?

R: Sì, se avete un pannello solare collegato direttamente alla presa da 8 mm dello Yeti Link, il pannello caricherà sia lo Yeti che la batteria del vostro veicolo quando questo non è in funzione.

Modulo di Espansione Yeti Link

Corrente massima 80A da riserve (Tank) esterne o alimentazioni esterne verso la batteria al litio interna dello Yeti

Carica i seguenti apparecchi:

GOAL ZERO Yeti 1000X alla massima
entrata di corrente 605W

GOAL ZERO Yeti 1500X alla massima
entrata 750W

GOAL ZERO Yeti 3000X alla massima
entrata 750W

GOAL ZERO Yeti 6000X alla massima
entrata 750W

Porte: Non eccedere i 22V in entrata.

Porta di carica 8mm 14 - 22V, non eccedere
i 100W o le 7.5A

Connettore della batteria esterna Corrente massima 80A
10.7 - 15V


Generale:

Peso 1.5 lbs (680 g)

Dimensioni 10.25 x 3.3 x 1.5 in
(26 x 8.4 x 3.8 cm)

Temperatura di utilizzo 32-104 F (0-40C)

Garanzia 12 mesi

Certificati 

⚠️ INSTRUÇÕES DE SEGURANÇA IMPORTANTES ⚠️

Por favor guarde estas instruções

Leia todas as instruções e cuidados antes de iniciar a instalação.

Não se assume qualquer responsabilidade por danos que resultem na utilização das informações contidas

ATENÇÃO: O Objetivo Zero Yeti Ligação produz amperagens muito elevadas. Utilizar apenas com cabos Objetivo Zero. Cabos ou conectores alterados ou cabos ou conectores de terceiros podem ser incompatíveis e podem causar danos a componentes, veículos ou pessoas.

AVISO Para reduzir o risco de incêndio, ferimentos em pessoas ou danos materiais, utilize apenas da forma pretendida pelo Objetivo Zero

NÃO desmontar ou tentar reparar o módulo.

NÃO permita que a água entre no módulo, no Objetivo Zero Yeti Lítio ou no Tanque Yeti Objetivo Zero.

Certifique que os cabos estão devidamente inseridos e seguros antes de utilizar. Verifique com frequência nas seguintes utilizações. Para questões, contacte o Centro de Soluções em support@goalzero.com ou 1-888-794-6250

NÃO junte um painel solar de terceiros ou baterias de ácido de chumbo em série (ligando positivo a negativo, positivo a negativo, etc.), pois isto pode resultar em níveis de tensão perigosamente elevados que podem causar danos graves no Yeti Lítio e potenciais lesões corporais.

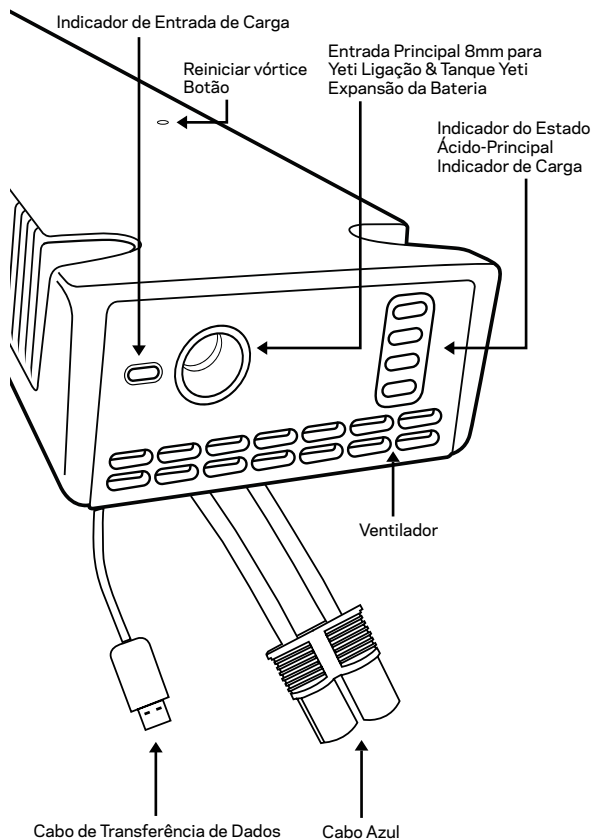
Compatível com Yeti 1000, 1000X, 1400, 1500X, 3000, 3000X e Yeti 6000X Centrais de Lítio

⚠️ AVISO: Nunca ligue uma fonte de alimentação ao Yeti Ligação antes de instalar no Yeti. Ligue sempre a Ligação ao Yeti antes de ligar qualquer fonte de energia.

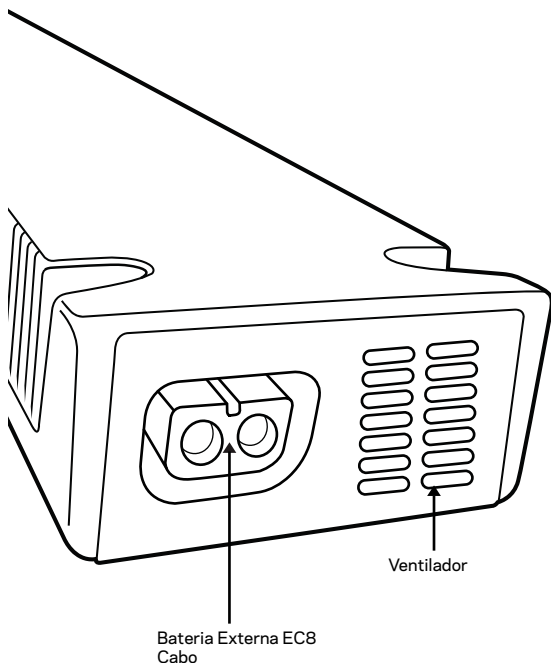
⚠️ AVISO: Não exceda a entrada de 22V para a Ligação. Ao fazê-lo, pode causar danos graves no Yeti e potenciais lesões corporais. Tome nota das tensões quando utilizar painéis solares de terceiros ou pilhas de ácido de chumbo de terceiros com o módulo. Não junte painéis solares ou baterias de ácido de chumbo em série (positivas a negativas, positivas a negativas, etc.), pois isso pode resultar em tensões perigosamente elevadas.

CONHEÇA O SEU EQUIPAMENTO

Frete do Módulo de Expansão



Traseira do Módulo de Expansão

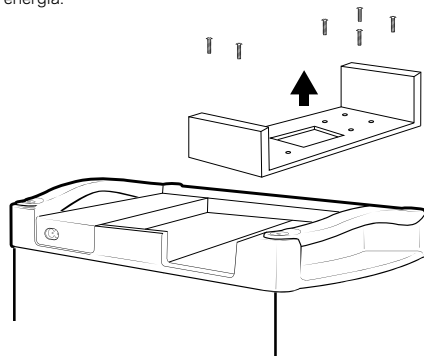


⚠ Certifique que os cabos estão devidamente inseridos e seguros antes de utilizar. Verifique com frequência nas seguintes utilizações. Para questões, contacte o Centro de Soluções em support@goalzero.com ou 1-888-794-6250

COMO INSTALAR

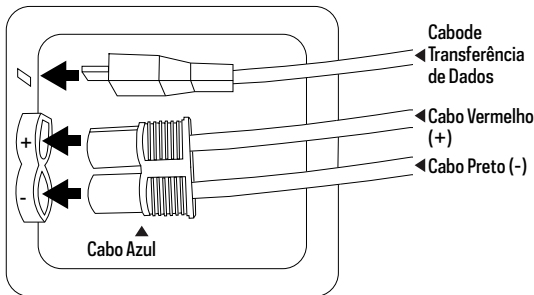
Ferramentas que vai precisar: Chave de fendas Phillips

1. Desligue todas as portas de saída e desligue o Yeti de qualquer fonte de energia.

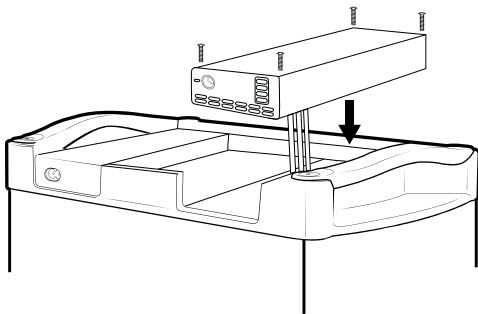


2. Abra a tampa do Yeti e retire o transporte do módulo de expansão do Yeti, removendo os seis parafusos e deslizando para fora do transporte.
 - a. Utilize ambas as mãos para trabalhar o transporte do módulo de expansão fora da sua posição.
3. Tome nota dos terminais positivos e negativos na porta do módulo Yeti, bem como no conector azul de Ligação. Insira o conector azul na porta do módulo no Yeti, combinando positivo a positivo, negativo a negativo.
4. Insira o conector micro-USB na ligação na porta micro-USB no Yeti.

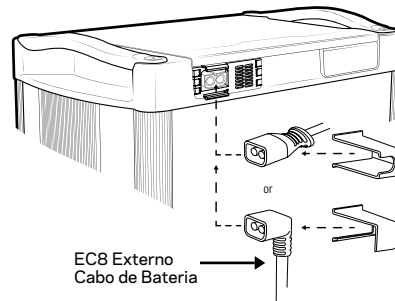
⚠ **AVISO:** Não exceda a entrada de 22V no módulo. Ao fazê-lo, pode causar danos graves no Yeti e potenciais lesões corporais. Tome nota das tensões quando utilizar painéis solares de terceiros ou pilhas de ácido de chumbo de terceiros com o módulo. Não junte painéis solares ou baterias de ácido de chumbo em série (positivas a negativas, positivas a negativas, etc.), pois isso pode resultar em tensões perigosamente elevadas.



5. Coloque suavemente a ligação no lugar, colocando os cabos na abertura.
6. Utilizando os quatro parafusos fornecidos, fixe a Ligação no lugar.
7. Utilizar a porta de 8mm, ligue a fonte de alimentação à Ligação.



▲ Certifique que os cabos estão devidamente inseridos e seguros antes de utilizar. Verifique com frequência nas seguintes utilizações. Para questões, contacte o Centro de Soluções em support@goalzero.com ou 1-888-794-6250

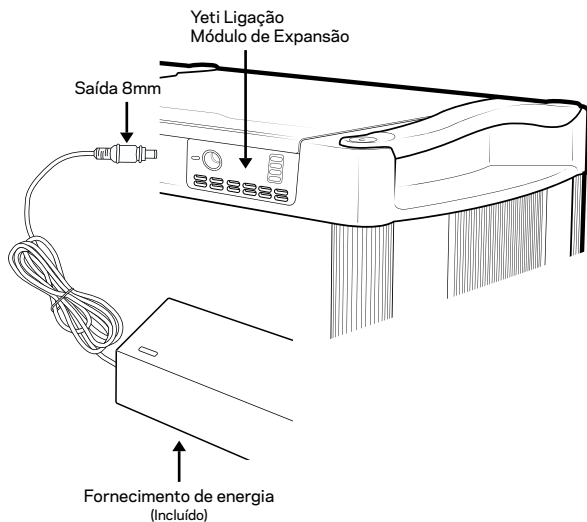
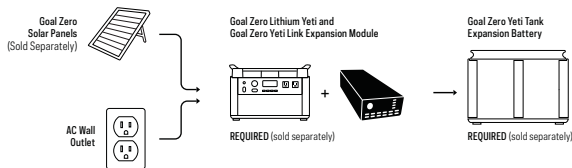


8. Prossiga para conectar o cabo EC8 e deslize o prendedor de cabo EC8 reto ou de 90 graus sobre o cabo e nos slots do Bloqueio de link. Quando a fonte de alimentação estiver corretamente ligada, a luz indicadora de carga de entrada ficará azul. Quando o tanque estiver corretamente ligado à ligação e a fonte de alimentação estiver ligada, a luz indicadora de estado de carga do ácido-chumbo começará a piscar verde. **NOTA:** Depois de ligar, todos os LEDs acendem-se e apagam-se antes de serem exibidas as luzes corretas. Pode levar até 30 segundos.
9. A fonte de energia vai carregar o Yeti primeiro. Quando o Yeti estiver totalmente carregado, a energia vai começar a ser carregada no Tanque. **NOTA:** A alimentação proveniente da porta de 8mm fluirá primeiro através do Tanque e depois para o Yeti. Sem um Tanque ou bateria de terceiros ligados, esta porta não carregará diretamente o Yeti.

▲ Certifique que os cabos estão devidamente inseridos e seguros antes de utilizar. Verifique com frequência nas seguintes utilizações. Para questões, contacte o Centro de Soluções em support@goalzero.com ou 1-888-794-6250

COMO FUNCIONA - MODO DE ARMAZENAMENTO DE ENERGIA DOMÉSTICA

O Módulo de Expansão de Ligação Objetivo Zero Yeti integra-se com um Objetivo Zero Yeti Lítio ou Uma Central Portátil Yeti X e bateria de expansão do Tanque Objetivo Zero Yeti para aumentar a sua capacidade de armazenamento de energia. A Ligação é um Controlador de Carga de Lítio que irá elaborar até 80A Corrente Max a partir de uma fonte de energia de chumbo-ácido.



1. Assim que o Módulo Ligação estiver instalado no Yeti, poderás anexar os Tanques de Expansão Yeti Objetivo Zero. Para isso, retire o cabo EC8 masculino do tanque de expansão e ligue-o ao conector de bateria externo EC8 no Módulo de Ligação instalado na Central Elétrica de Yeti.
2. Em seguida, pegue na fonte de alimentação incluída ou num Painel Solar Objetivo Zero (vendido separadamente) e ligue o conector de 8mm (anel azul) na porta de entrada de 8mm no Módulo link.
Nota: Não ligue um tanque a si próprio quando vários tanques estiverem ligados.
3. A energia fluirá para a bateria e depois para a central de Energia Yeti. Uma vez que a central esteja cheia, a energia começará a encher o Tanque

ATENÇÃO

1. O ponto de entrada 8mm no Yeti Ligação é a única forma de carregar ambos Yeti e Tanque. Os pontos de entrada no ecrã Yeti apenas vão carregar o Yeti, não o Tanque.
2. Quando Ligação e Tanque estiverem adequadamente instalados, a energia passa através da ligação de 8mm para o Tanque e depois para o Yeti. Assim, sem um Tanque ou uma bateria de terceiros, não é possível carregar o Yeti diretamente utilizando a porta de 8mm na Ligação.

⚠ AVISO: Não exceda a entrada de 22V no módulo. Ao fazê-lo, pode causar danos graves no Yeti e potenciais lesões corporais. Tome nota das tensões quando utilizar painéis solares de terceiros ou pilhas de ácido de chumbo de terceiros com o módulo. Não junte painéis solares ou baterias de ácido de chumbo em série (positivas a negativas, positivas a negativas, etc.), pois isso pode resultar em tensões perigosamente elevadas.

⚠️ INSTRUÇÕES DE SEGURANÇA IMPORTANTES ⚠️

Por favor guarde estas instruções

Leia todas as instruções e cuidados antes de iniciar a instalação.

O Objetivo Zero recomenda que a instalação do kit de carregamento do Veículo De Ligação Yeti seja instalada por profissionais treinados. Em caso algum a Ligação Yeti Objetivo Zero deve ser instalada com as competências técnicas, informações técnicas, ferramentas e equipamentos necessários para completar adequadamente os procedimentos necessários

NÃO instale uma bateria secundária entre a Bateria e o Módulo de Ligação Yeti

Ligações inadequadas danificarão os cabos Yeti Ligação Módulo/Acessório e/ou causarão ferimentos graves ou morte. Certifique-se de que todas os cabos estão ligadas à polaridade apropriada

Certifique-se de que os cabos estão bem ligados. Verifique periodicamente os cabos, especialmente antes e depois de estradas desiguais

Confirme que os cabos estão instalados corretamente sem risco de choque ou queimadura. Beliscar cabos ou qualquer meio de expor cabos internos pode levar a avarias ou incêndios

Mantenha os fios vivos, terminais e outras partes nuas longe do contacto entre si e outras partes metálicas

Use sempre proteção ocular ao fazer ligações com a bateria

Utilize sempre grommet isolante de borracha ao perfurar através de painéis de aço para executar o cabo ECB

Nunca encaminhe os cabos elétricos através de arestas afiadas

Nunca encaminhe os cabos elétricos perto de peças que ficam quentes

Nunca encaminhe os cabos elétricos sobre os terminais das baterias

Nunca encaminhe os cabos elétricos através ou perto de peças móveis

Os cabos elétricos devem estar a salvo de pulverização rodoviária, escoamento de chuva, areia ou cascalho da superfície da estrada.

O Objetivo Zero rejeita qualquer responsabilidade por problemas e danos causados pelo sistema instalado por pessoal não treinado.

O proprietário do veículo é responsável pelo correto funcionamento do aparelho

Mantenha-se afastado de fontes de calor (por exemplo, clo se forem componentes do sistema de escape ou diretamente atrás do radiador, etc.).

⚠️ AVISO: Para reduzir o risco de incêndio, ferimentos em pessoas ou danos materiais, utilize apenas da forma pretendida pelo Objetivo Zero

⚠️ AVISO: O Kit de Carregamento do Veículo de Ligação Yeti Objetivo Zero transmite, alimentação para o Módulo de Ligação e Yeti em amperagens muito elevadas até 80A Corrente Max. Tenha muito cuidado ao instalar. Utilize apenas cabos e ligações fornecidos pelo Objetivo Zero na instalação. Se forem instaladas com ligações ou alterações de terceiros para o Objetivo Zero, podem ocorrer danos nos componentes, veículo ou pessoa.

⚠️ Aviso: Ligações inadequadas danificarão o kit de carregamento do veículo de ligação Yeti e/ou causarão ferimentos graves ou morte. Certifique-se de que todas os cabos estão ligadas à polaridade apropriada

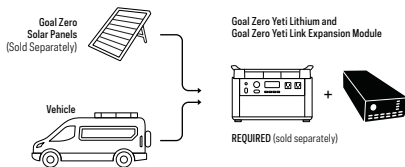
⚠️ AVISO: Nunca ligue uma fonte de alimentação ao Yeti Ligação antes de instalar no Yeti. Ligue sempre a Ligação ao Yeti antes de ligar qualquer fonte de energia.

⚠️ AVISO: Não exceda a entrada de 22V para a Ligação. Ao fazê-lo, pode causar danos graves no Yeti e potenciais lesões corporais. Tome nota das tensões quando utilizar painéis solares de terceiros ou pilhas de ácido de chumbo de terceiros com o módulo. Não junte painéis solares ou baterias de ácido de chumbo em série (positivas a negativas, positivas a negativas, etc.), pois isso pode resultar em tensões perigosamente elevadas.

ATENÇÃO: Se o alternador do seu veículo tiver uma classificação inferior a 150 Amps, não imobilize o seu veículo para carregar a sua central de energia Yeti. Carregar a central de Yeti pode provocar o sobreaquecimento do alternador e reduzir a vida útil do seu alternador.

COMO FUNCIONA - MODO VEÍCULO

Recarregue rapidamente e facilmente um Yeti Lítio (1000 ou mais) do seu veículo enquanto estiver em movimento. As taxas de carga variam de 25A - 80A Corrente Max (300W - 750W) dependendo do tamanho e capacidade de Lítio Yeti.

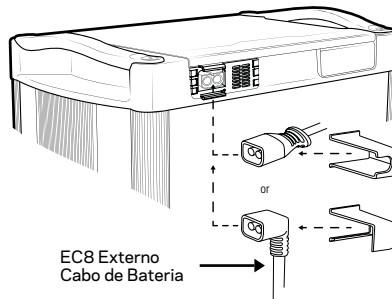
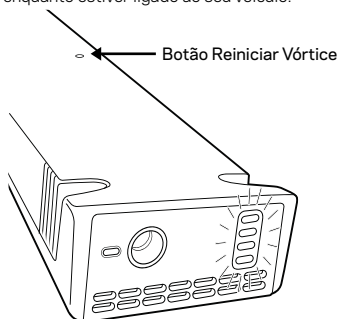


Como funciona

Quando colocado em "Modo Veículo", a Ligação Yeti permite que o seu Yeti Lítio retire com segurança a energia do alternador do veículo enquanto o veículo está em funcionamento e pare de puxar a energia quando o veículo está desligado.

NOTA: A Ligação Yeti deve estar no Modo veículo para utilizar esta função ou irá drenar a bateria do seu veículo. Todas as ligações vêm definidas padrão em "Modo Tanque".

1. Uma vez instalado a Ligação no Yeti, mude a ligação do modo do tanque para o modo veículo, premindo o botão de reinício do buraco no topo da Ligação quatro vezes.
2. As luzes indicadoras acendem-se e piscam em conjunto quando a Ligação for colocada com sucesso no modo veículo.
3. Para voltar ao modo tank, prima o botão de reinício do buraco no topo da Ligação mais quatro vezes. As luzes indicadoras deslocam-se de baixo para cima individualmente quando a Ligação for colocado com sucesso no modo tanque. **NOTA:** NÃO volte a colocar-se no modo do tanque enquanto estiver ligado ao seu veículo.



4. Uma vez que a Ligação seja mudado para o modo Veículo, poderá ligar-se aos seus veículos +/-bateria ou alternador. Utilizando o cabo de extensão Goal Zero EC8.
 - Note que utilize apenas cabos Autênticos Objetivo Zero para o fazer.
 - NÃO utilize mais de um cabo de extensão
 - NÃO tenha uma bateria secundária entre o Módulo Ligação e o alternador do veículo ou bateria principal
5. Ligue o cabo do terminal de anel aos terminais positivos e negativos da bateria principal ou do alternador.
6. Ligações inadequadas danificarão os cabos Yeti Ligação Módulo/ Acessório e/ou causarão ferimentos graves ou morte. Certifique-se de que todas os cabos estão ligadas à polaridade apropriada
7. Ligue a extremidade masculina do cabo do terminal de anel EC8 à extremidade feminina do cabo de extensão EC8.
8. Ligue a extremidade masculina do cabo de extensão de na porta EC8 externa do módulo de ligação.
 - Certifique-se de que os cabos estão bem ligados. Verifique periodicamente os cabos, especialmente antes e depois de estradas desiguais.

⚠ Atenção: Certifique-se de que utiliza apenas produtos Goal Zero entre o link e o alternador. Quaisquer outros cabos ou cablagens não são suportados ou recomendados, uma vez que estes cabos precisam de ser classificados para transportar um mínimo de 80A Corrente Max

Certifique que os cabos estão devidamente inseridos e seguros antes de utilizar. Verifique com frequência nas seguintes utilizações. Para questões, contacte o Centro de Soluções em support@goalzero.com ou 1-888-794-6250

LUZ INDICADORA DE CARREGA

Indicador de carga de entrada:

AZUL INTERMITENTE - A fonte de alimentação está corretamente ligada à entrada e carregamento de 8mm.

AZUL - A bateria de chumbo-ácido está cheia.

Indicador de Estado de Carga do Ácido De Chumbo:

1 LUZ LED - A bateria de ácido de chumbo está 25% cheia ou menos

2 LUZES LED - Bateria de chumbo-ácido está 25% - 50% cheia

3 LUZES LED - Bateria de ácido de chumbo está 50% - 75% cheia

TODAS AS LUZES LED - A bateria de chumbo-ácido está 75% cheia ou mais

LED Erro

VERMELHO INTERMITENTE - O Yeti encontra-se em condições de sobretensão ou a bateria de ácido de chumbo encontra-se em estado de tensão. Desligue todos os cabos do tanque de Link e Yeti e, por favor, ligue para os nossos especialistas solares no número 888-794-6250.

ATENÇÃO

1 A porta de 8mm na Ligação é a única forma de carregar tanto o Yeti como o Tanque. Os pontos de entrada no ecrã Yeti apenas vão carregar o Yeti, não o Tanque.

2 Quando o Link e o Tanque estão corretamente instalados, a energia passa pela porta de 8mm para o Tanque e, em seguida, para o Yeti. Assim, sem um Tanque ou uma bateria de terceiros, não é possível carregar o Yeti diretamente utilizando a porta de 8mm na Ligação.

QUESTÕES COLOCADAS FREQUENTEMENTE

P: Estou a carregar o meu Yeti e está ligado a uma ou mais baterias do Tanque, mas as baterias do meu tanque não estão a encher. O que devo fazer?

R: Em primeiro lugar, certifique-se de que está a utilizar a entrada no link para carregar o seu sistema. Esta entrada é a única forma de carregar tanto o seu Tanque como o Yeti ao mesmo tempo. Se estiver a utilizar a entrada correta e ainda tiver um problema, tente reiniciar reinstalando a Ligação.

P: Instalei o meu Link no meu Yeti, liguei as minhas baterias, e não estou a mostrar uma carga. O que se passa?

R: Após a instalação inicial, o Link precisa de tempo para identificar que tipo de Yeti possui para maximizar o desempenho. Pode levar até 30 segundos para começar a funcionar.

P: Posso usar baterias de ácido chumbo não-Objetivo Zero com o Ligação?

R: Sim, pode utilizar qualquer bateria de ácido de ciclo de ciclo profundo de 12V SLA ou AGM com a Ligação. No entanto, necessitará de um cabo de corrente de ligação masculino Objetivo Zero para ligar as suas baterias ao Ligação, embora não recomendado.

P: Se estou a usar as minhas baterias de ácido de chumbo de terceiros, como as ligo?

R: Ao ligar várias pilhas de ácido de chumbo de 12V ao Ligação, certifique-se de que liga as pilhas em paralelo. Parallel connections will increase your current rating, but the voltage will stay the same.

AVISO: A ligação das pilhas em série aumentará a tensão, causando danos ao aparelho e possíveis ferimentos pessoais ou morte.

P: Quantas baterias de ácido de chumbo posso ligar ao Ligação?

R: Pode anexar quantas pilhas de ácido de chumbo de 12V quiser ao Ligação.

P: Porque é que o meu Ligação só está a cobrar o meu Yeti até 98%?

R: O Link só vai cobrar uma nova geração de lítio Yeti para 98%. Esta proteção está no lugar para proteger e prolongar a vida útil da sua bateria. As centrais de lítio da segunda geração, equipadas com as mais recentes atualizações de firmware, podem ser carregadas a 100%.

P: Uma vez colocado o Link no modo Veículo, mantém-se no modo Veículo até voltar a colocá-lo no Modo Tanque?

R: O Link Yeti permanecerá no modo Veículo até que o altere manualmente para o modo Tanque. Se deslocar a unidade do seu veículo para, em seguida, acorrentá-la às pilhas do tanque em sua casa, terá de alterar a ligação do modo veículo para o modo de tanque.

P: O solar continuaria a alimentar a bateria do Veículo quando o Veículo não está a funcionar?

R: Sim, se tiver um painel solar ligado diretamente à porta de 8mm no Yeti Link, o painel carregará tanto a bateria de Yeti como o seu Veículo quando não estiver em funcionamento.

Módulo de expansão de ligação Yeti**80A Corrente Máxima de Tanques Externos/Fonte de Energia para a bateria interna de lítio do Yeti****Carrega o seguinte:**

GOAL ZERO Yeti 1000X @ Max Input	605W
----------------------------------	------

GOLO ZERO Yeti 1500X @ Entrada Max	750W
------------------------------------	------

GOLO ZERO Yeti 3000X @ Entrada Max	750W
------------------------------------	------

GOLO ZERO Yeti 6000X @ Entrada Max	750W
------------------------------------	------

Portas: Não exceda entrada de 22V

Porta de carregamento de 8mm	14 - 22V, Não exceda 100W ou 7.5A
------------------------------	-----------------------------------

Conector de bateria externo	Corrente 80A Max 10.7 - 15V
-----------------------------	--------------------------------


Geral:

Peso	1.5 lbs (680 g)
------	-----------------

Dimensões	10.25 x 3.3 x 1.5 in (26 x 8.4 x 3.8 cm)
-----------	---

Temperatura de utilização	32-104 F (0-40C)
---------------------------	------------------

Garantias	12 meses
-----------	----------

Certificados	 CE
--------------	--



重要な安全注意事項



これらの説明書を保存してください。

設置を開始する前に全ての説明書と注意事項に目を通してください。

ここに記載されている情報の使用に起因する損害については、責任を負いません。

注意: Goal Zero イエティ・リンクは非常に高いアンペア数を出力します。Goal Zero ケーブルでのみ使用してください。改造されたケーブルまたはコネクタ、もしくは第三当事者のケーブルまたはコネクタは互換性がなく、コンポネント、車両、または人に損傷を与える可能性があります。

警告 火災、人身傷害、または物的損害のリスクを軽減するために、Goal Zero が意図した方法でのみ使用してください

分解せずにモジュールの修復を試みてください。

水がモジュール、Goal Zero イエティ・リチウム、または Goal Zero イエティ・タンクに侵入しないようにします。

使用する前に、ケーブルが完全に挿入され、しっかりと固定されていることを確認してください。その後の使用を確認してください。ご質問のある方は、ソリューションセンター (support@goalzero.com または 1-888-794-6250) にお問い合わせください。

メーカー以外のソーラーパネルや鉛蓄電池を直列に (プラスをマイナスに、マイナスをプラスに) 接続しないでください。直列接続による高電圧で、イエティリチウムへの損傷やけがを負う可能性が生じます。

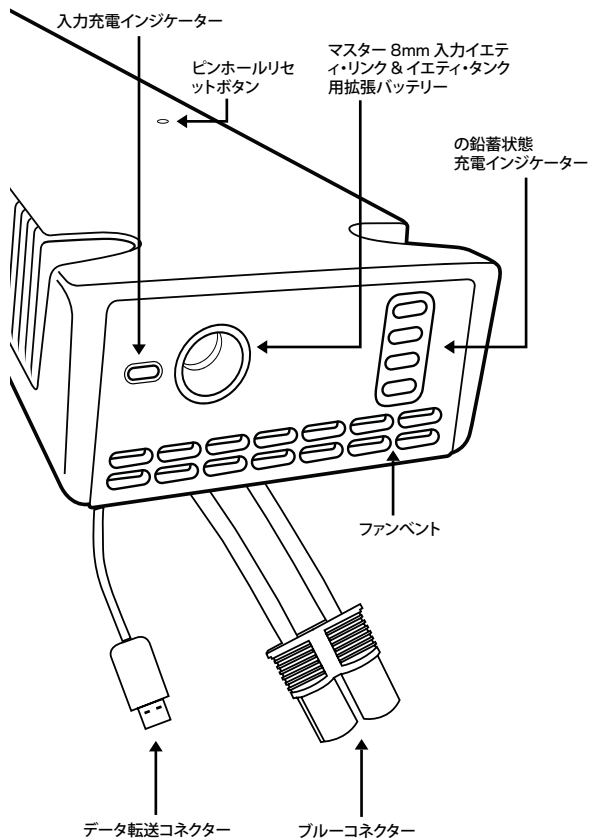
イエティ 1000、1000X、1400、1500X、3000、3000X、および 6000X リチウム発電装置と互換性があります

▲ 警告: イエティに設置する前に電源を イエティ・リンクに決して接続しないでください。電源を接続する前に、必ずリンクをイエティに接続してください。

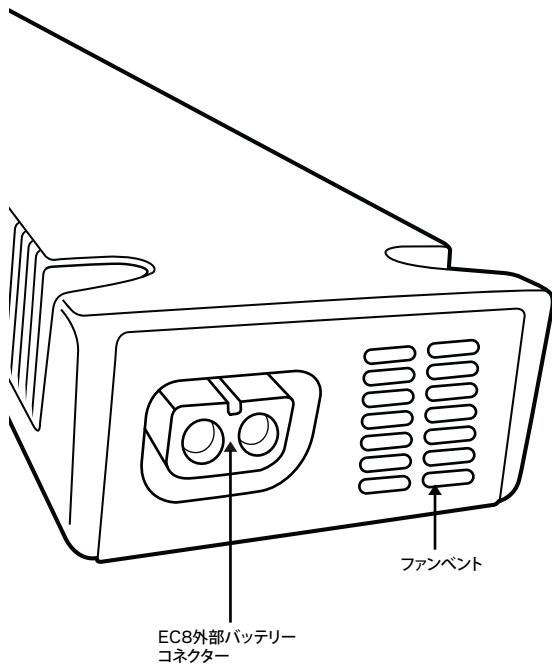
▲ 警告: リンクの入力が 22V を超えないようにしてください。それが起こると、イエティや身体に深刻なダメージが発生する可能性があります。モジュールを使用した他社製のソーラーパネルまたは他社製の鉛蓄電池を使用する際は、電圧に注意してください。ソーラーパネルまたは鉛蓄電池を直列に接続しないでください (プラスをマイナスに、マイナスをプラスになど)、これによって危険なほど高電圧になる可能性があります。

あなたのギアを知りましょう

前面リンク拡張モジュール



背面リンク拡張モジュール

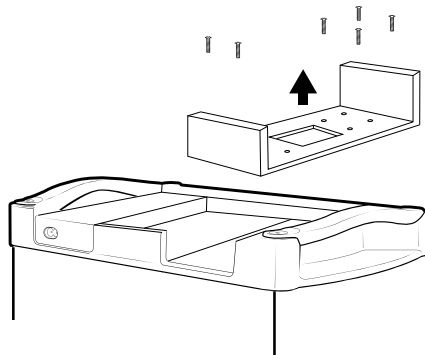


▲ 使用する前に、ケーブルが完全に挿入され、しっかりと固定されていることを確認してください。その後の使用を確認してください。ご質問のある方は、ソリューションセンター (support@goalzero.comまたは1-888-794-6250) にお問い合わせください。

設置方法

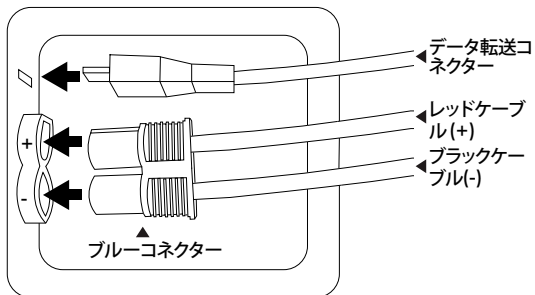
必要な道具: プラスドライバー

1. すべての出力ポートをオフにし、どの電源からもイエティのプラグを抜きま

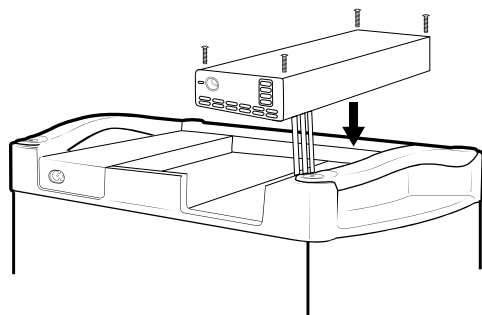


2. イエティのふたを開き、6本のネジを外してキャリッジをスライドさせて、イエティから拡張モジュールキャリッジを取り外します。
 - a. 両手を使って拡張モジュールキャリッジを所定の位置から外します。
3. イエティのモジュールポート、およびリンクの青いコネクタのプラスとマイナスの端子に注意してください。プラスをプラスに、マイナスをマイナスに合わせて、ブルーコネクタをイエティ・モジュールポートに挿入します。
4. リンクのマイクロUSBコネクタをイエティのマイクロUSBポートに挿入します。

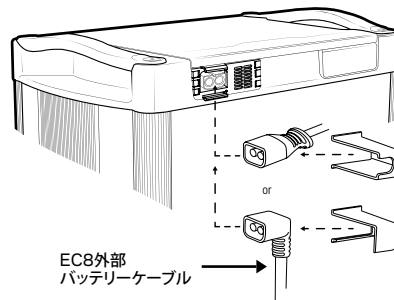
▲ 警告: モジュールの入力は22Vを超えないようにしてください。それが起こると、イエティや身体に深刻なダメージが発生する可能性があります。他社製のソーラーパネルにモジュールを使用している場合は、電圧に注意してください。ソーラーパネルを直列に接続しないでください。(プラスをマイナスに、プラスをマイナスになど) 危険なほど高電圧になる可能性があります。



- ケーブルを開口部に押し込みながら、リンクをゆっくりと所定の位置にセットします。
- 付属の4本のネジを使用して、リンクを所定の位置に固定します。
- 8mm のポートを使用して、電源をリンクに接続します。



- ▲ 使用する前に、ケーブルが完全に挿入され、しっかりと固定されていることを確認してください。その後の使用を確認してください。ご質問のある方は、ソリューションセンター (support@goalzero.comまたは1-888-794-6250) にお問い合わせください。

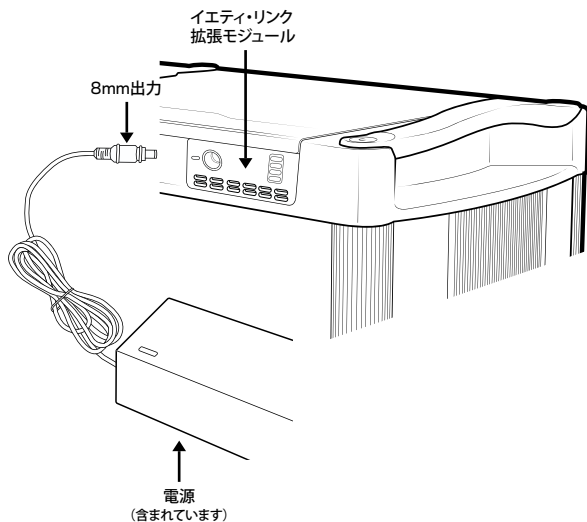
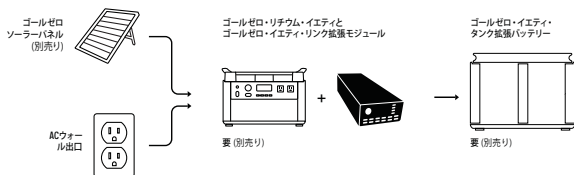


- EC8ケーブルの接続に進み、ストレートまたは90度のEC8ケーブルホルダーをケーブル上でリンクロックのスロットにスライドさせます。電源が正しく接続されると、入力充電インジケータライトが青色に変わります。タンクがリンクに正常に接続されており、電源が接続されていると、充電インジケータライトの鉛酸状態は緑色に点滅し始めます。注意: プラグインすると、すべてのLEDが点灯し、次に正しいライトが表示される前に消灯します。これには最大30秒かかります。
- パワースースを利用しイエティの充電をします。イエティが完全に充電されると、電力はタンクに蓄積され始めます。注意: 電力流は8mm ポートからタンクへ、最終的にイエティを供給します。タンクやその他第三のバッテリーを使用しない限りは、ポートから直接イエティを充電するのは不可能です。

- ▲ 使用する前に、ケーブルが完全に挿入され、しっかりと固定されていることを確認してください。その後の使用を確認してください。ご質問のある方は、ソリューションセンター (support@goalzero.comまたは1-888-794-6250) にお問い合わせください。

仕組み-家庭用エネルギー貯蔵モード

Goal Zero イエティ・リンク拡張モジュールは、Goal Zero イエティ・リチウムまたはイエティXポータブル発電装置およびGoal Zero イエティ・タンク拡張バッテリーと統合して、エネルギー貯蔵容量を増やします。リンクは、鉛蓄電池から最大80Aの電流を引き出すリチウム充電コントローラーです。



1. リンクモジュールがイエティに設置されると、Goal Zero イエティ拡張タンクを取り付けることができます。これを行うには、拡張タンクからオスEC8ケーブルを取り出し、イエティ発電装置に取り付けられているリンクモジュールのEC8外部バッテリーコネクタに接続します。
2. 次に、付属の電源またはGoal Zeroソーラーパネル (別売りのいずれか)を取り、8mm/バレルコネクタ (青いリング)をリンクモジュールの8mm入力ポートに差し込みます。
注意:複数のタンクが接続されている場合は、タンクをそれぞれに接続しないでください。
3. 電力はバッテリーに流れ、次にイエティ発電装置に流れます。発電装置がいっぱいになると、電力はタンクを満たし始めます

注意:

1. リンクの8mmポートを利用することで、イエティまたはタンクの充電が可能となります。タンクではなく、イエティ・ディスプレイの入力ポートでのみイエティは充電できます。
2. 正しく設置されたリンクやタンクからの電力は、8mmポートからタンクへ流れイエティを供給します。なので、タンクまたはその他第三のバッテリーを追加しない限りは、リンクの8mmポートから直接イエティを充電することは不可能です。

▲ 警告:モジュールの入力は22Vを超えないようにしてください。それが起こると、イエティや身体に深刻なダメージが発生する可能性があります。他社製のソーラーパネルにモジュールを使用している場合は、電圧に注意してください。ソーラーパネルを直列に接続しないでください。(プラスをマイナスに、プラスをマイナスになど)危険なほど高電圧になる可能性があります。



重要な安全注意事項



これらの説明書を保存してください。

設置を開始する前に全ての説明書と注意事項に目を通してください。

Goal Zeroは、イエティ・リンク車両充電キットのインストールを訓練を受けた専門家が設置することを推奨します。いかなる状況においても、Goal Zeroイエティ・リンクは、必要な手順を適切に完了するために必要な技術的スキル、技術情報、ツール、および機器なしで設置されるべきではありません。

バッテリーとイエティ・リンクモジュールの間に二次バッテリーを取り付けしないでください

不適切な接続は、イエティ・リンクモジュール/アクセサリケーブルを損傷させてしまうか、重傷または死亡の原因となります。すべての配線が適切な極性に接続されていることを確認してください

ケーブルがしっかりと接続されていることを確認してください。特に凹凸のある車道の前後でケーブルを定期的に点検してください

ケーブルが正しく取り付けられ、挟まれたり、摩擦が起きたりするリスクがないことを確認します。ケーブルが挟まれていたり、すなわち内部ケーブルが露出してしまうような状態であると、誤動作や火災につながる可能性があります

活線、端子、その他のむき出しの部品が互いに接触したり、他の金属部品に接触したりしないようにしてください

バッテリーを接続するときは、常に目の保護具を着用してください

EC8ケーブルを配線するためにスチールパネルに穴を開けるときは、常にゴム製の絶縁グロメットを使用してください

鋭いエッジを越えて電気ケーブルを配線しないでください

高温になる部品の近くに電気ケーブルを配線しないでください

電気ケーブルをバッテリー端子に配線しないでください

電気ケーブルを可動部品の中または近くに配線しないでください

電気ケーブルは、道路の水しぶき、雨の流出、路面からの砂や砂利から安全でなければなりません。

Goal Zeroは、訓練を受けていない人物がシステムを設置することによって引き起こされた問題や損傷に対する責任を拒否します。

車両の所有者は、アプライアンスを正しく操作する責任があります

熱源から遠ざけてください(たとえば、排気システムのコンポーネントに近すぎたり、ラジエーターのすぐ後ろなど)。

⚠ 警告: 火災、人身傷害、または物的損害のリスクを軽減するために、Goal Zeroが意図した方法でのみ使用してください

⚠ 警告: Goal Zeroイエティ・リンク車両充電キットは、最大電流80Aまでの非常に高いアンペア数でリンクモジュールとイエティに電力を供給します。設置するときは細心の注意を払ってください。設置には、Goal Zeroが提供するケーブルと接続のみを使用してください。第三当事者の接続を使用して設置した場合、またはGoal Zeroの付属ケーブルに改造した場合、コンポーネント、車両、または人に損傷を与える可能性があります。

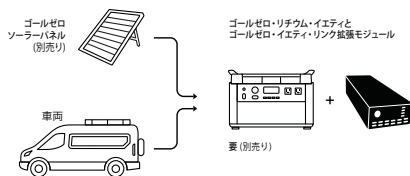
⚠ 警告: 不適切な接続は、イエティ・リンク車両充電キットを損傷させてしまうか、重傷または死亡の原因となります。すべての配線が適切な極性に接続されていることを確認してください

⚠ 警告: イエティに設置する前に電源をイエティ・リンクに決して接続しないでください。電源を接続する前に、必ずリンクをイエティに接続してください。

⚠ 警告: リンクの入力が22Vを超えないようにしてください。それが起こると、イエティや身体に深刻なダメージが発生する可能性があります。モジュールを使用した他社製のソーラーパネルまたは他社製の鉛蓄電池を使用する際は、電圧に注意してください。ソーラーパネルまたは鉛蓄電池を直列に接続しないでください(プラスをマイナスに、マイナスをプラスになど)、これによって危険なほど高電圧になる可能性があります。

注意: 車両用交流発電機が150アンペア未満だと言われている場合には、Yetiのパワーステーションを充電するために、車両をアイドリングさせないでください。Yetiのパワーステーションをアイドリングで充電すると、交流発電機をオーバーヒートさせたり、交流発電機寿命が短くなる原因となる可能性があります。

移動中にイエティ・リチウム(1000以上)をすばやく簡単に車両から充電します。充電率は、イエティ・リチウムのサイズと容量に応じて、25A~80Aの最大電流(300W~750W)の範囲で変化します。

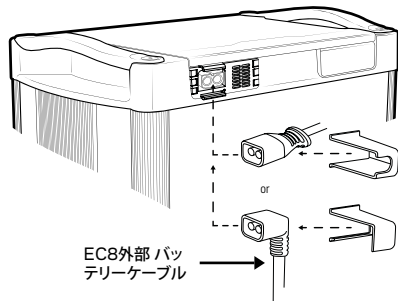
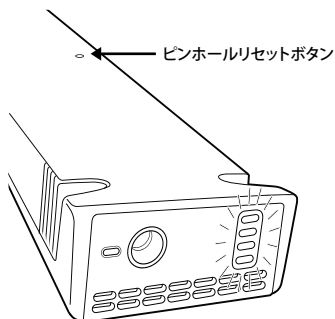


使用方法

「車両モード」に設定されている場合、イエティ・リングを使用すると、イエティ・リチウムは、車両の走行中に車両のオルタネータから安全に電力を引き出し、車両がオフのときに電力の引き出しを停止できます。

注意:この機能を利用するには、イエティ・リングが車両モードである必要があります。そうでない場合、車両のバッテリーが消耗します。すべてのリングは標準で「タンクモード」に設定されています。

1. リングがイエティにインストールされたら、リング上部のピンホールリセットボタンを4回押して、リングをタンクモードから車両モードに切り替えます。
2. リングが車両モードになると、インジケータライトが点灯して同時に点滅します。
3. タンクモードに戻るには、リング上部のピンホールリセットボタンをさらに4回押します。リングがタンクモードになると、インジケータライトが下から上へ個別にスクロールします。注意:車両との接続中はタンクモードに戻さないで



4. リングが車両モードに切り替わると、車両+/-バッテリーまたはオルタネータに接続できるようになります。Goal Zero EC8。
 - これを行うには、本物のGoal Zeroケーブルのみを使用することに注意してください。
 - 複数の12インチ延長ケーブルを使用しないでください
 - リングモジュールと車両オルタネータまたはメインバッテリーの間に二次バッテリーを入れないでください
5. リング端子ケーブルをメインバッテリーまたはオルタネータのいずれかのプラス端子とマイナス端子に接続します。
6. 不適切な接続は、イエティ・リングモジュール/アクセサリケーブルを損傷させてしまうか、重傷または死亡の原因となります。すべての配線が適切な極性に接続されていることを確認してください
7. EC8リング端子ケーブルのオス側をEC8 インチ延長ケーブルのメス側に差し込みます。
8. インチ延長ケーブルのオス側をリングモジュールの外部EC8ポートに差し込みます。
 - ケーブルがしっかりと接続されていることを確認してください。特に凹凸のある車道の前後でケーブルを定期的に点検してください。

警告:リングとオルタネータの間のみGoal Zero製品を使用するようにしてください。その他のケーブルまたは配線は、最低でも最大80Aの電流を流す定格が必要なため、サポートまたは推奨されていません

使用する前に、ケーブルが完全に挿入され、しっかりと固定されていることを確認してください。その後の使用を確認してください。ご質問のある方は、ソリューションセンター (support@goalzero.comまたは1-888-794-6250) にお問い合わせください。

充電インジケータライト

入力充電インジケータ

青色点滅 - 電源は 8mm 入力に正常に接続され充電しています。

青色 - 鉛蓄電池はフルです。

鉛蓄電池の充電状態インジケータ:

LEDライト 1 つ - 鉛蓄電池の残量が25%以下です

LEDライト 2 つ - 鉛蓄電池は25%-50%フルです

LEDライト 3 つ - 鉛蓄電池は50%-75%フルです

LEDライト 全て - 鉛蓄電池は75%以上フルです

エラーLED

赤く点滅-イエティが過電圧状態にあるか、鉛蓄電池が低電圧状態にあります。リンクとイエティからすべてのタンクケーブルを外して、弊社のソーラー専門家 (電話: 888-794-6250) までお問い合わせください。

注意:

1 リンクの8mmポートは、イエティとタンクの両方を充電する唯一の方法です。タンクではなく、イエティ・ディスプレイの入力ポートでのみイエティは充電できます。

2 正しく設置されたリンクやタンクからの電力は、8mmポートからタンクへ流れイエティを供給します。なので、タンクまたはその他第三のバッテリーを追加しない限りは、リンクの8mmポートから直接イエティを充電することは不可能です。

よくある質問

Q: 私はイエティを充電し、1つ以上のタンクバッテリーに接続されていますが、私のタンクバッテリーはフルにはなっていません。私はどうするべきでしょうか。

A: まず、リンクに入力してシステムの充電ができていないことを確認してください。この入力には、唯一タンクとイエティの両方を同時に充電できます。正しく入力しても問題が解決しない場合は、リンクを再設定してリセットしてみてください。

Q: マイリンクをイエティに取り付け、バッテリーを接続しましたが、充電は表示していません。何が起こっていますか。

A: 初期設置時には、パフォーマンスを最大化するために、リンクにはどのタイプのイエティを所有しているかを識別するための時間が必要です。操作の開始には最大30秒かかります。

Q: リンクに他社製の、Goal Zero以外の鉛蓄電池を使用できますか?

A: はい、リンクには12V SLAまたはAGMディープサイクル鉛蓄電池を使用できます。ただし、推奨ではありませんが、バッテリーをリンクに接続するには、ゴールゼロ・オスリンク・チェーンケーブルが必要になります。

Q: 自分の他社製の鉛蓄電池を使用している場合、それらをどのように接続すればよいですか。

A: リンクに12Vの鉛蓄電池を複数台接続する場合は、必ず電池を並列に接続してください。並列接続すると電流定格が上がりますが、電圧は変わりません。

警告: 電池を直列に接続すると電圧が上昇し、装置を損傷したり、怪我をしたり死亡する恐れがあります。

Q: リンクには何個の鉛蓄電池を接続できますか。

A: リンクには12Vの鉛蓄電池をいくつでも取り付けることができます。

Q: リンクがイエティを最大98%までしか充電しないのはなぜですか?

A: リンクは、新世代のイエティ・リチウムのみを98%まで充電します。この保護は、バッテリーを所定の位置で保護し寿命を延ばすためのものです。最新のファームウェアの更新を備えた第二世代のイエティリチウム発電装置は100%まで充電することができます。

Q: リンクを車両モードにすると、タンクモードに戻すまで、車両モードのまま保たれますか?

A: イエティ・リンクは、手でタンクモードに戻すまで、車両モードのままになります。ユニットを車両から移動して、自宅のタンクバッテリーにチェーン接続する場合は、リンクを車両モードからタンクモードに変更する必要があります。

Q: 車両が走行していないときでも、ソーラーは車両のバッテリーに電力を供給しますか?

A: はい、イエティ・リンクの8mmポートにソーラーパネルを直接接続している場合、パネルが稼働していないときは、イエティと車両の両方のバッテリーを充電します。

技術仕様

イエティ・リンク拡張モジュール

外部タンク/電源からイエティの内部リチウム
バッテリーへの最大電流80A

充電機能:

GOAL ZERO イエティ 1000X @ 最大入力 605W

GOAL ZERO イエティ 1500X @ 最大入力 750W

GOAL ZERO イエティ 3000X @ 最大入力 750W

GOAL ZERO イエティ 6000X @ 最大入力 750W

ポート: 入力は22Vを超えない

8mm 充電ポート 14~22V、100Wまたは
7.5Aを超えない

外部バッテリーコネクタ 最大電流80A
10.7 - 15V


全般:

重量 1.5 lbs (680 g)

寸法 10.25 x 3.3 x 1.5 in
(26 x 8.4 x 3.8 cm)

運転使用温度 32-104 F (0-40C)

保証 12ヶ月

安全規格  CE



TÄRKEITÄ TURVAOHJEITA



Säilytä nämä ohjeet

Lue kaikki ohjeet ja varoitukset ennen asennuksen aloittamista.

Emme ota vastuuta vahingoista, jotka aiheutuvat ohjeiden laiminlyönnistä.

HUOMIO: Goal Zero Yeti Link tuottaa erittäin runsaasti sähkövirtaa. Käytä vain Goal Zero -kaapeleiden kanssa. Muunnetut kaapelit tai liittimet tai kolmansien osapuolten kaapelit tai liittimet voivat olla yhteensopimattomia ja vahingoittaa osia, ajoneuvoa tai ihmisiä.

VAROITUS Tulipalon, henkilövahinkojen tai omaisuusvahinkojen vähentämiseksi käytä vain Goal Zeron ilmoittamiin tarkoituksiin

ÄLÄ pura osiin tai yritä korjata moduulia.

ÄLÄ päästä moduulin, Goal Zero Yeti Lithiumin tai Goal Zero Yeti Tankin sisään vettä.

Varmista, että kaapeli on kokonaan paikallaan ja kiinnitetty tukevasti ennen käyttöä. Tarkista seuraavien käyttökertojen yhteydessä. Jos sinulla on kysyttävää, ota yhteyttä asiakaspalveluun osoitteeseen support@goalzero.com tai numeroon 1-888-794-6250

ÄLÄ ketjuta kolmannen osapuolen aurinkopaneeleita tai lyijyhappoakkuja sarjaan (liittämällä positiivisen negatiiviseen, positiivisen negatiiviseen jne.), koska se voi johtaa vaarallisen suureen jännitteeseen, joka puolestaan voi aiheuttaa vakavia vaurioita Yeti Lithiumille ja mahdollisesti loukkaantumisia.

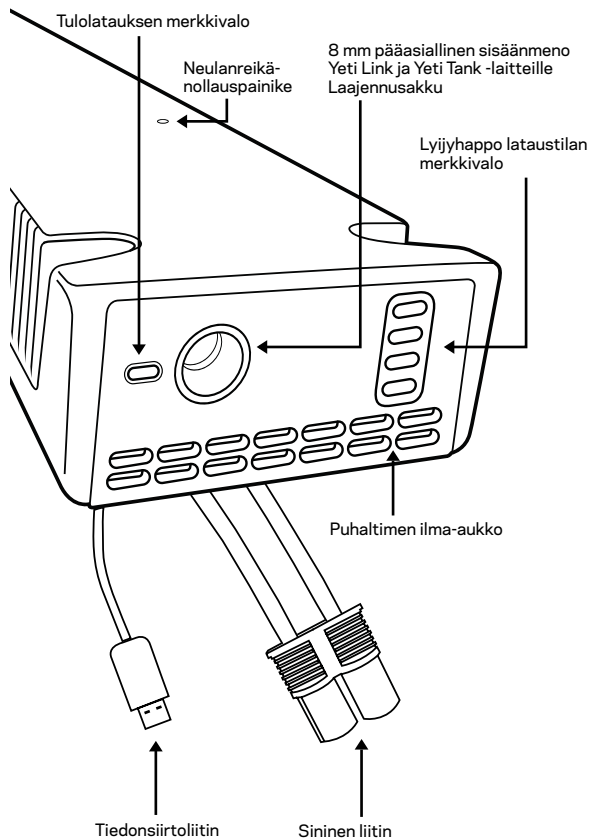
Yhteensopiva 1000-, 1000X-, 1400-, 1500X-, 3000-, 3000X- ja Yeti 6000X Lithium -varavirtalähteiden kanssa

VAROITUS: Älä koskaan kytke virtalähdettä Yeti Linkkiin ennen asentamista Yetiin. Kytke Link aina Yetiin ennen kytkemistä virtalähteeseen.

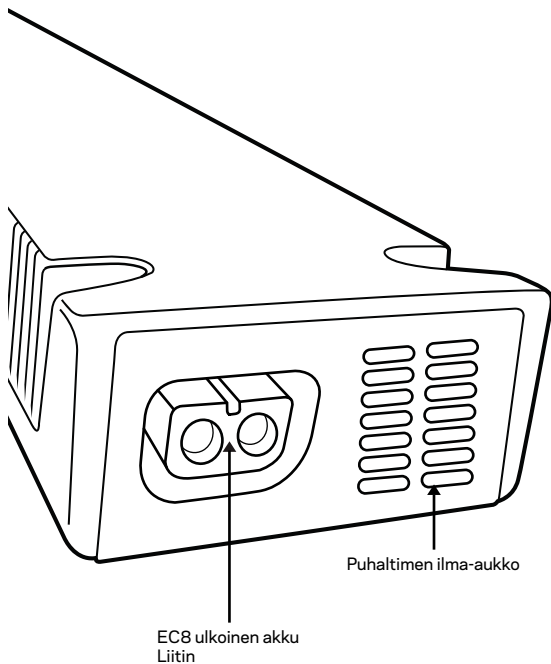
VAROITUS: Link ei saa ylittää 22 V:n sisäänmenoa. Se voi vahingoittaa Yetiä vakavasti ja johtaa loukkaantumisiin. Huomioi jännite, jos käytät kolmansien osapuolten aurinkopaneeleita tai kolmansien osapuolten lyijyhappoakkuja moduulin kanssa. Älä linkitä aurinkopaneeleita tai lyijyhappoakkuja sarjassa (positiivinen negatiiviseen, positiivinen negatiiviseen jne.), koska se voi saada aikaan vaarallisen suuria jännitteitä.

TUTUSTU LAITTEESEESI

Link -laajennusmoduulin etuosa



Link-laajennusmoduulin takaosa

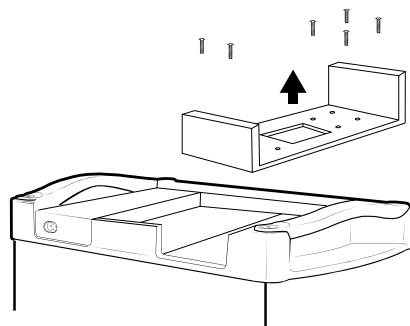


- ▲ Varmista, että kaapeli on kokonaan paikallaan ja kiinnitetty tukevasti ennen käyttöä. Tarkista seuraavien käyttökertojen yhteydessä. Jos sinulla on kysyttävää, ota yhteyttä asiakaspalveluun osoitteeseen support@goalzero.com tai numeroon 1-888-794-6250

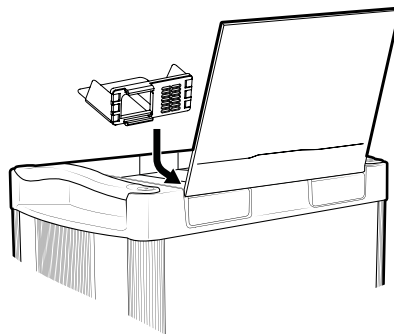
ASENTAMINEN

Tarvittavat työkalut: Phillips-ruuvimeisseli

1. Sammuuta kaikki lähtöliitännät ja kytke Yeti irti virtalähteestä.

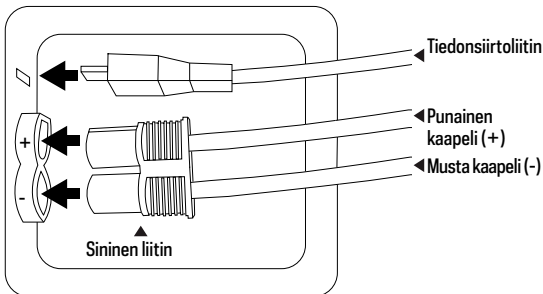


2. Avaa Yetin kansi ja poista laajennusmoduulin tela Yetistä irrottamalla kuusi ruuvia ja liu'uttamalla tela pois.
3. Laita oheinen Link Lock Yetin takaosaa kohti olevaan aukkoon ja aseta Link Lockin ruuvien reiät Yetin reikiin kanssa kohdakkain.

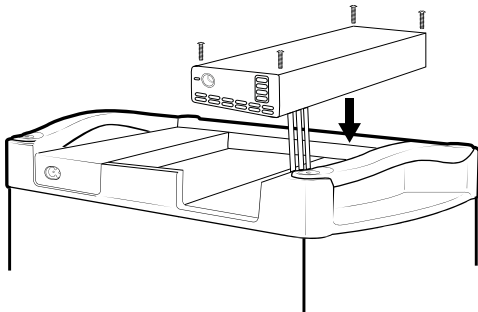


4. Ota Link-moduulin sininen liitin ja mikro-USB-kaapeli ja työnnä ne Yetin moduuliin ja mikro-USB-portteihin, positiivinen positiiviseen, negatiivinen negatiiviseen ja mikro mikroon.

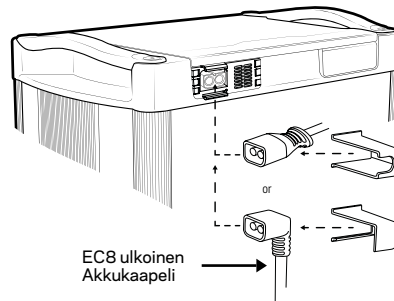
VAROITUS: Moduuli ei saa ylittää 22 V:n sisääntuloa. Se voi vahingoittaa Yetiä vakavasti ja johtaa loukkaantumisiin. Huomioi jännite, jos käytät kolmansien osapuolten aurinkopaneeleita moduulin kanssa. Älä liitä aurinkopaneeleita sarjassa (positiivinen negatiiviseen, positiivinen negatiiviseen jne.), koska se voi saada aikaan vaarallisen suuria jännitteitä.



5. Aseta Link varovasti paikalleen ja työnnä kaapelit aukkuun.
6. Kiinnitä Link paikalleen käyttämällä neljää oheista ruuvia.
7. Kytke virtalähde Linkkiin käyttämällä 8 mm liitäntää.



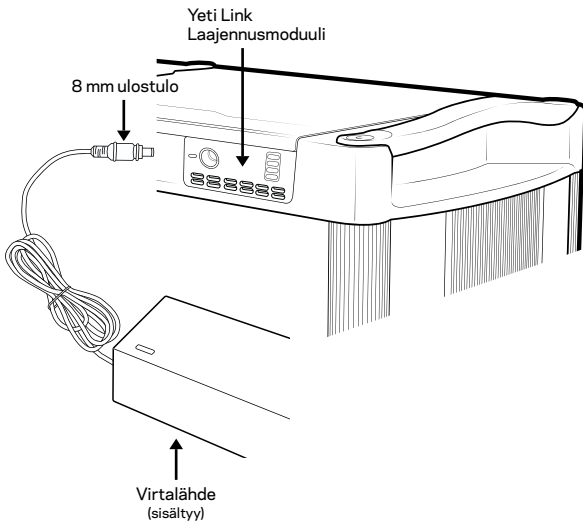
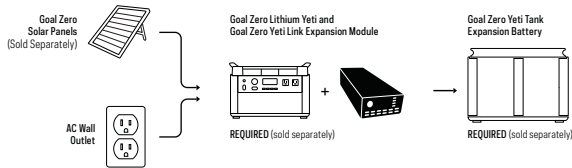
VAROITUS: Varmista, että kaapeli on kokonaan paikallaan ja kiinnitetty tukevasti ennen käyttöä. Tarkista seuraavien käyttökertojen yhteydessä. Jos sinulla on kysyttävää, ota yhteyttä asiakaspalveluun osoitteeseen support@goalzero.com tai numeroon 1-888-794-6250



8. Liitä sen jälkeen EC8-kaapeli ja liu'uta joko suora tai 90 asteen EC8-kaapelipidike kaapelin yli ja Link Lockin aukkoihin. Kun virtalähde on kytketty oikein, tulolatauksen merkkivalo muuttuu siniseksi. Kun Tank on kytketty oikein Linkkiin ja virtalähde on kytketty, latauksen merkkivalon lyijyhappo-tilan valo alkaa vilkkua vihreänä. HUOMAUTUS: Kytkemisen yhteydessä kaikki LED-valot syttyvät ja sammuvat sen jälkeen, ennen kuin oikeat valot näytetään. Siihen voi mennä 30 sekuntia.
9. Virtalähde lataa ensin Yetin. Kun Yeti on täyteen ladattu, virtaa aletaan varastoida Tankkiin. HUOMAUTUS: 8 mm liitännästä tuleva virta kulkee ensin Tankin läpi ja sen jälkeen Yetiin. Jos Tankkia tai kolmannen osapuolen akkua ei ole kytketty, liitäntä ei lataa Yetiä suoraan.

VAROITUS: Varmista, että kaapeli on kokonaan paikallaan ja kiinnitetty tukevasti ennen käyttöä. Tarkista seuraavien käyttökertojen yhteydessä. Jos sinulla on kysyttävää, ota yhteyttä asiakaspalveluun osoitteeseen support@goalzero.com tai numeroon 1-888-794-6250

Goal Zero Yeti Link -laajennusmoduuli integroituu Goal Zero Yeti Lithium tai Yeti X kannettavaan varavirtalähteeseen ja Goal Zero Yeti Tank -laajennusakkuun kasvattaen energian varastointikapasiteettia. Link on litiumlatausohjain, joka ottaa jopa 80 A:n enimmäisvirran lyijyhappovirtalähteestä.



1. Kun Link-moduuli on asennettu Yetiin, voit kiinnittää Goal Zero Yeti -laajennussäiliöt. Tee se ottamalla laajennussäiliön urospuolinen EC8-kaapeli ja kytkemällä se Yeti-varavirtalähteeseen asennetun Link-moduulin ulkoiseen EC8-akkuiliittimeen.
2. Ota sitten joko oheinen virtalähde tai Goal Zero -aurinkopaneeli (myydään erikseen) ja kytke 8 mm putkiliitin (sininen rengas) Link-moduulin 8 mm:n loliittimeen.
Huomautus: Älä kytke Tank-laitetta itseensä, kun useita Tank-laitteita on kytkettyinä.
3. Teho virtaa akkuun ja sen jälkeen Yeti-varavirtalähteeseen. Kun varavirtalähde on täynnä tehoa, alkaa Tankin täyttäminen.

HUOMAUTUS

1. Linkin 8 mm liitäntä on ainoa tapa ladata sekä Yeti että Tank. Yetin näytön tuloliitäntät lataavat vain Yetin, ei Tankkia.
2. Kun Link ja Tank on asennettu kunnolla, virta kulkee 8 mm:n liitännästä Tankkiin ja sen jälkeen Yetiin. Ilman kytkettyä Tankkia tai kolmannen osapuolen akkua ei voi ladata Yetiä suoraan Linkin 8 mm:n liitännällä.

VAROITUS: Moduuli ei saa ylittää 22 V:n sisäänmenoa. Se voi vahingoittaa Yetiä vakavasti ja johtaa loukkaantumisiin. Huomioi jännite, jos käytät kolmansien osapuolten aurinkopaneeleita moduulin kanssa. Älä linkitä aurinkopaneeleita sarjassa (positiivinen negatiiviseen, positiivinen negatiiviseen jne.), koska se voi saada aikaan vaarallisen suuria jännitteitä.



TÄRKEITÄ TURVAOHJEITA



Säilytä nämä ohjeet

Lue kaikki ohjeet ja varoitukset ennen asennuksen aloittamista.

Goal Zero suosittelee Yeti Link -ajoneuvonlatauspaketin asentamista pätevän asiantuntijan toimesta. Goal Zero Yeti Linkkiä ei missään tapauksessa saa asentaa ilman tarvittavien toimenpiteiden suorittamisen kannalta välttämättömiä teknisiä taitoja, teknisiä tietoja, työkaluja ja laitteita.

ÄLÄ asenna toissijaista akkua akun ja Yeti Link -moduulin väliin

Virheelliset liitännät vahingoittavat Yeti Link -moduulin/lisälaitteen kaapeleita ja / tai aiheuttavat vakavia vammoja tai kuoleman. Varmista, että kaikki johdot on kytketty oikein poolisuuden mukaan

Varmista, että kaapelit on kytketty turvallisesti. Tarkista kaapelit säännöllisesti, erityisesti epätasaisilla teillä ajoa ennen ja sen jälkeen

Varmista, että kaapelit on asennettu oikein, eikä ole vaaraa, että ne jäävät puristuksiin tai hankautuvat. Kaapeleiden jääminen puristuksiin tai sisäisten kaapeleiden paljastuminen voi aiheuttaa virhe toimintajohtoa tai tulipalon

Estä jännitteisten johtojen, liittimien ja muiden paljaiden osien pääsemisen kosketuksiin keskenään tai muiden metalliosien kanssa

Käytä silmäsuojia aina akkukytkentöjä tehdessäsi

Käytä aina kumista läpivientisuojusta porattaessa teräspaneelin läpi EC8-kaapelia varten

Älä koskaan reititä sähköjohtoja terävien reunojen yli

Älä koskaan reititä sähköjohtoja kuumenevien osien lähellä

Älä koskaan reititä sähköjohtoja akkuliitinten yli

Älä koskaan reititä sähköjohtoja liikkuvien osien läpi tai läheisyydessä

Sähkökaapeleiden tulee olla suojattu tien roiskeilta, valuvilta sadevedeltä, tien pinnan hiekalta ja soralta.

Goal Zero ei ota vastuuta ongelmista ja vahingoista, jotka aiheutuvat kouluttamattoman henkilöstön asentamasta järjestelmästä.

Ajoneuvon omistaja on vastuussa laitteen oikeasta toiminnasta

Pidä poissa kuumuudenlähteistä (esim. pakokaasujärjestelmä tai lämmityslaitteen läheisyys jne.)

VAROITUS: Tulipalon, henkilövahinkojen tai omaisuusvahinkojen vähentämiseksi käytä vain Goal Zeron ilmoittamiin tarkoituksiin

VAROITUS: Goal Zero Yeti Link -ajoneuvon latauspaketti siirtää tehoa Link-moduuliin ja Yetiin erittäin suurilla ampeerilukemilla, enimmäisvirta on jopa 80 A. Asenna erittäin varovaisesti. Käytä asennuksessa vain Goal Zeron toimittamia kaapeleita ja liittimiä. Jos asennuksessa käytetään kolmannen osapuolen liittimiä tai Goal Zeron toimittamiin kaapeleihin tehdään muutoksia, laitteen osat tai ajoneuvo voivat vahingoittua tai voi seurata loukkaantumisia.

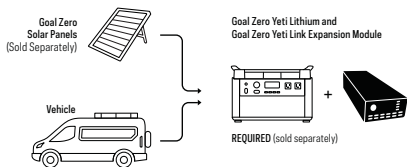
VAROITUS: Virheelliset liitännät vahingoittavat Yeti Link -ajoneuvonlatauslaitetta ja / tai aiheuttavat vakavia vammoja tai kuoleman. Varmista, että kaikki johdot on kytketty oikein poolisuuden mukaan

VAROITUS: Älä koskaan kytke virtalähdettä Yeti Linkkiin ennen sen asentamista Yetiin. Kytke Link aina Yetiin ennen kytkemistä virtalähteeseen.

VAROITUS: Link ei saa ylittää 22 V:n sisäännemenoa. Se voi vahingoittaa Yetiä vakavasti ja johtaa loukkaantumisiin. Huomioi jännite, jos käytät kolmansien osapuolten aurinkopaneeleita tai kolmansien osapuolten lyijyhappoakkuja moduulin kanssa. Älä linkitä aurinkopaneeleita tai lyijyhappoakkuja sarjassa (positiivinen negatiiviseen, positiivinen negatiiviseen jne.), koska se voi saada aikaan vaarallisen suuria jännitteitä.

HUOMAUTUS: Jos ajoneuvosi laturi on alle 150-ampeerinen, älä käytä autoa tyhjäkäynnillä ladatessasi sitä Yeti-latausasemalla. Tyhjäkäynnillä käyttäminen Yeti-latausasemalla voi ylikuumentaa laturin ja lyhentää sen käyttöikää.

Lataa Yeti Lithium (1000 tai suurempi) helposti ja nopeasti ajoneuvostasi ajon aikana. Varausvirta vaihtelee välillä 25A - 80A enimmäisvirta (300W - 750W) Yeti Lithiumin koosta ja kapasiteetista riippuen.

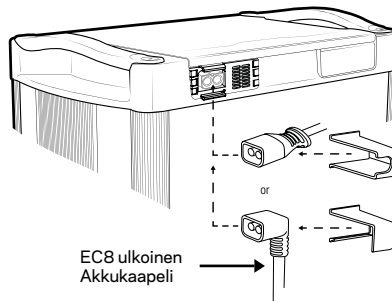
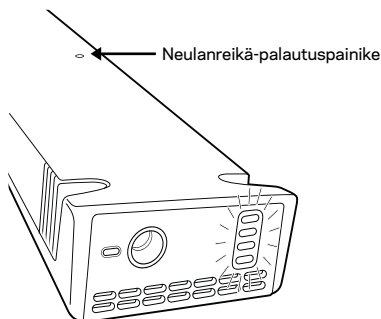


Näin se toimii

"Ajoneuvotilassa" Yeti Link antaa Yeti Lithiumin ottaa virtaa ajoneuvosi laturista turvallisesti ajoneuvon käydessä ja lopettaa virran ottamisen kun ajoneuvo sammutetaan.

HUOMAUTUS: Yeti Linkin on oltava ajoneuvotilassa käyttäkseen tätä ominaisuutta, sillä muuten se tyhjentää ajoneuvon akun. Kaikki Link-laitteet toimitetaan "ajoneuvotilassa".

1. Kun Link on asennettu Yetiin, vaihda Link säiliötilasta ajoneuvotilaan painamalla Linkin päällä olevaa neulanreikä-nollauspainiketta neljä kertaa.
2. Merkkivalot syttyvät ja vilkkuvat yhdessä, kun Link menee ajoneuvotilaan.
3. Palaa takaisin säiliötilaan painamalla Linkin päällä olevaa neulanreikä-palautuspainiketta neljä kertaa uudelleen. Merkkivalot vierivät alhaalta ylöspäin yksitellen, kun Link menee säiliötilaan. **HUOMAUTUS:** ÄLÄ laita takaisin säiliötilaan laitteen ollessa kytkettynä ajoneuvoon.



4. Kun Link on palautettu ajoneuvotilaan, voit kytkeä ajoneuvoosi +/- akkuun tai vaihtovirtageneraattoriin. Käyttämällä Goal Zero EC8 -jatkajohtoa.
 - Huomio:** käytä tähän vain alkuperäisiä Goal Zero -kaapeleita.
 - ÄLÄ** käytä useampaa kuin yhtä jatkojohtoa
 - ÄLÄ** laita toissijaista akkua Link-moduulin ja ajoneuvon vaihtovirtageneraattoriin tai pääasiallisen akun väliin
5. Liitä rengasliitinkaapeli joko pääakkuun tai vaihtovirtageneraattoriin positiivisiin ja negatiivisiin napoihin.
6. Virheelliset liitännät vahingoittavat Yeti Link -moduulin/lisälaitteen kaapeleita ja / tai aiheuttavat vakavia vammoja tai kuoleman. Varmista, että kaikki johdot on kytketty oikein poolisuuden mukaan
7. Liitä EC8-rengasliitinkaapelin urospää EC8-jatkojohton naaraspäähän.
8. Liitä jatkojohto Link-moduulin ulkoiseen EC8-liitäntään ja liu'uta joko suora tai 90 asteen EC8-kaapelipidike kaapelin yli ja Link Lockin aukkoihin.
 - Varmista, että kaapelit on kytketty turvallisesti. Tarkista kaapelit säännöllisesti, erityisesti epätasaisilla teillä ajoa ennen ja sen jälkeen.

VAROITUS: Käytä Linkin ja vaihtovirtageneraattoriin välillä vain Goal Zero -tuotteita. Muita kaapeleita ja johtoja ei suositella eikä tueta, koska kaapeleiden on oltava kelpuutettuja johtamaan vähintään 80 A enimmäisvirtaa

Varmista, että kaapeli on kokonaan paikallaan ja kiinnitetty tukevasti ennen käyttöä. Tarkista seuraavien käyttökertojen yhteydessä. Jos sinulla on kysyttävää, ota yhteyttä asiakaspalveluun osoitteeseen support@goalzero.com tai numeroon 1-888-794-6250

LATAUKSEN MERKKIVALO

Tulolatauksen merkivalo:

VILKKUVA SININEN - Virtälähde on kytketty 8 mm tuloon oikein, ja se lataa.
SININEN - Lyyjihappoakku on täynnä.

Lyyjihappoakun lataustilan ilmaisin:

1 LED-VALO - Lyyjihappoakku on 25 % ladattu tai vähemmän
2 LED VALOA - Lyyjihappoakku on ladattu 25 - 50 %
3 LED VALOA - Lyyjihappoakku on ladattu 50 - 75 %
KAIKKI LED-VALOT - Lyyjihappoakku on ladattu 75 % tai enemmän

Virhe LED

VILKKUVA PUNAINEN - Yeti on ylijännitetilassa tai lyyjihappoakku on alijännitetilassa. Irrota kaikki Tank-kaapelit Linkistä ja Yetistä ja soita aurinkopaneelin asiantuntijoillemme numeroon 888-794-6250.

HUOMAUTUS

1 Linkin 8 mm liitäntä on ainoa tapa ladata sekä Yeti että Tank. Yetin näytön tuloliitännät lataavat vain Yeti, ei Tankkia.

2 Kun Link ja Tank on asennettu kunnolla, virta kulkee 8 mm:n liitännästä Tankkiin ja sen jälkeen Yetiin. Ilman kytkettyä Tankkia tai kolmannen osapuolen akkua et voi ladata Yetiä suoraan Linkin 8 mm:n liitännällä.

USEIN KYSYTTYJÄ KYSYMYKSIÄ

K: Lataan Yetiä, joka on kytketty yhteen tai useampaan Tank-akkuun, mutta Tank-akut eivät täyty. Mitä minun pitäisi tehdä?

V: Varmista aluksi, että käytät Linkin tuloliitaintää järjestelmä lataamiseen. Tuloliitaintä on ainoa tapa ladata sekä Tank-akkuja että Yetiä samanaikaisesti. Jos käytät oikeaa tuloliitaintää, mutta ongelma jatkuu, kokeile Linkin uudelleenasennusta nollaamalla.

K: Olen asentanut Linkin Yetiin, kytkenyt akut, mutta mikään ei lataudu. Miksi näin on?

V: Alkuasennuksen yhteydessä Link tarvitsee jonkin aikaa tunnistaaakseen omistamasi Yeti-laitteen tyypin suorituskyvyn maksimoimiseksi. Toiminnan alkuun voi mennä 30 sekuntia.

K: Voinko käyttää Linkin kanssa kolmannen osapuolen, muun kuin Goal Zeron lyyjihappoakkuja?

V: Vaikka se ei ole suositeltavaa, niin kyllä voit. Voit käyttää Linkin kanssa mitä vain 12V SLA tai AGM deep cycle -lyyjihappoakkuja. Tarvitset kuitenkin Goal Zeron Link-koiraspuolisen ketjutuskaapelin kytkeäksesi akut Linkkiin.

K: Jos käytän omia kolmannen osapuolen lyyjihappoakkuja, miten ne johdetaan?

V: Kun liität useita 12 V:n lyyjihappoakkuja Linkkiin, muista käyttää akkujen rinnankytkentää. Rinnankytkentä lisäävät nykyistä nimellistehoa, mutta jännite pysyy samana.

⚠ VAROITUS: Paristojen kytkeminen sarjaan lisää jännitettä, mikä vahingoittaa laitetta ja voi aiheuttaa henkilövahinkoja tai kuoleman.

K: Kuinka monta lyyjihappoakkuja voin kytkeä Linkkiin?

V: Voit kytkeä Link-laitteeseen niin monta 12 V:n lyyjihappoakkuja kuin haluat.

K: Miksi Link lataa Yetin vain 98 prosenttiin?

V: Link lataa uudemman sukupolven Yeti Lithiumit vain 98 prosenttiin. Tämä suoja pidentää akkusi käyttöikää. Toisen sukupolven Yeti-litiumvaravirtalähteet, jotka on varustettu uusimmilla laiteohjelmistopäivityksillä, voidaan ladata 100 prosenttiin.

K: Kun Link on ajoneuvotilassa, pysykö se ajoneuvotilassa, kunnes laitat sen takaisin Tank-tilaan?

V: Yeti Link pysyy ajoneuvotilassa, kunnes vaihdat sen manuaalisesti takaisin Tank-tilaan. Jos siirrät laitteen ajoneuvostasi linkittäaksesi sen Tank-akkuihin kodissasi, sinun täytyy vaihtaa Link ajoneuvotilasta Tank-tilaan.

K: Lataako aurinkopaneeli ajoneuvon akkua, vaikka ajoneuvo ei olisi enää käynnissä?

V: Kyllä, jos olet kytkenyt aurinkopaneelit suoraan Yeti Linkin 8 mm liittimeen, paneeli lataa sekä Yetiä että ajoneuvosi akkua, kun se ei ole käynnissä.

Yeti Link -laajennusmoduuli

**80A maksimivirta ulkoisesta tankista/
virtalähteestä Yetin sisäiseen
litiumakkuun**

Lataa seuraavia:

GOAL ZERO Yeti 1000X @ maksimisyötteellä	605 W
---	-------

GOAL ZERO Yeti 1500X @ maksimisyötteellä	750 W
---	-------

GOAL ZERO Yeti 3000X @ maksimisyötteellä	750 W
---	-------

GOAL ZERO Yeti 6000X @ maksimisyötteellä	750 W
---	-------

Liitännät: Älä ylitä 22 V:n sisäänmenoa

8 mm latausliitäntä	14 - 22V, älä ylitä 100W tai 7,5A
---------------------	--------------------------------------

Ulkoisen akun liitin	80A enimmäisvirta 10,7 - 15V
----------------------	---------------------------------

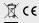
Yleistä:

Paino	680 g
-------	-------

Mitat	26 x 8,4 x 3,8 cm
-------	-------------------

Käyttölämpötila	0-40 C
-----------------	--------

Takuu	12 kuukautta
-------	--------------

Sertifiointit	 CE
---------------	--



BELANGRIJKE VEILIGHEIDSINSTRUCTIES



Bewaar deze instructies a.u.b.

Bewaar deze instructies. Lees alle instructies en voorzorgsmaatregelen voordat u met de installatie begint.

Er wordt geen aansprakelijkheid aanvaard voor schade die voortvloeit uit het gebruik van de hierin opgenomen informatie.

VOORZICHTIG: De Goal Zero Yeti Link levert zeer hoge stroomsterktes. Gebruik uitsluitend Goal Zero-kabels. Gewijzigde kabels of connectoren van derden kunnen incompatibel zijn en schade aan componenten, voertuig of persoon veroorzaken.

WAARSCHUWING Om het risico op brand, persoonlijk letsel of schade aan eigendommen te verminderen, alleen gebruiken op de manier die is bedoeld door Goal Zero

De module **NIET** demonteren of proberen te repareren.

Zorg ervoor dat er **GEEN** water in de behuizing van de Yeti Tank, de Goal Zero Yeti Lithium of de Goal Zero Yeti Link komt.

Zorg ervoor dat de kabel vóór gebruik volledig is ingestoken en stevig op zijn plaats zit. Controleer het bij een volgend gebruik. Neem voor vragen contact op met Solutions Center via support@goalzero.com of 1-888-794-6250

Schakel **GEEN** zonnepanelen van derden of loodzuurbatterijen in serie (door positief op negatief, positief op negatief enz. te verbinden), aangezien dit kan leiden tot gevaarlijk hoge spanningsniveaus die ernstige schade aan de Yeti Lithium en mogelijk lichamelijk letsel kunnen veroorzaken.

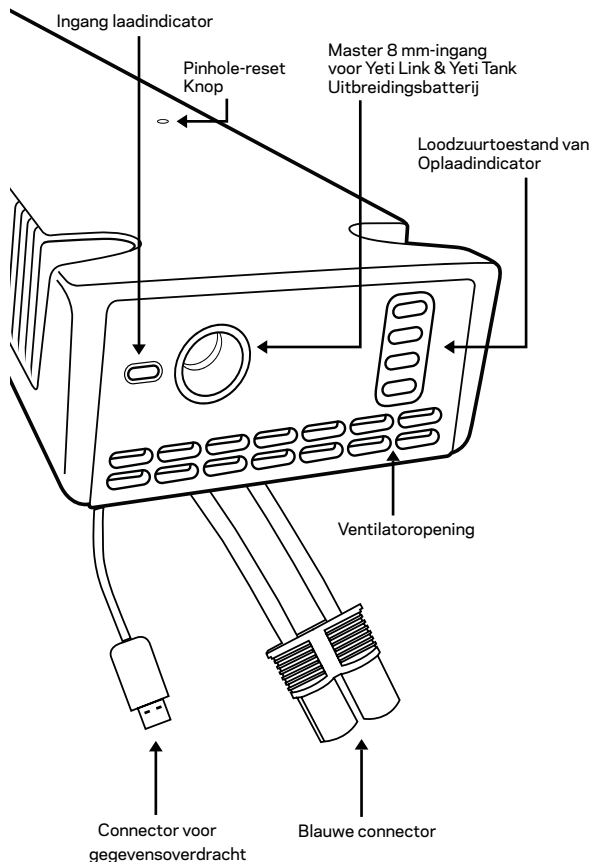
Compatibel met Yeti 1000, 1000X, 1400, 1500X, 3000, 3000X en 6000X lithium krachtbronnen

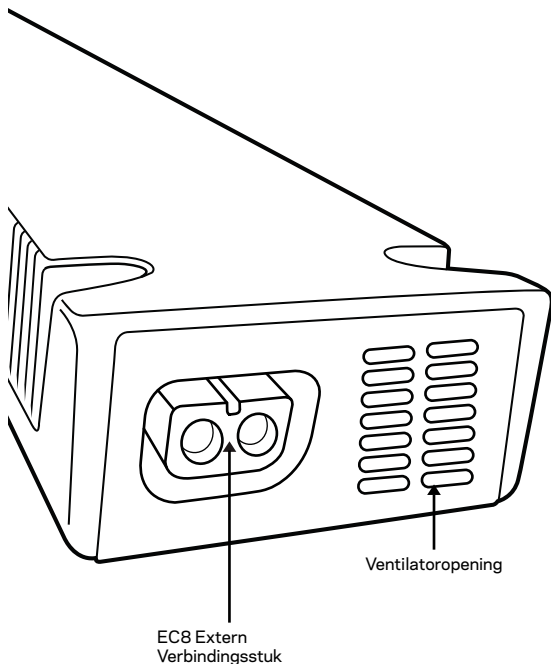
WAARSCHUWING: Sluit nooit een stroombron aan op de Link voordat u deze in de Yeti installeert. Sluit de Link altijd aan op de Yeti voordat u een stroombron aansluit.

WAARSCHUWING: Overschrijd de 22V-ingang voor de Link niet. Dit kan ernstige schade aan de Yeti en mogelijk lichamelijk letsel veroorzaken. Houd rekening met spanningen bij gebruik van zonnepanelen van derden of loodzuuraccu's van derden met de module. Schakel geen zonnepanelen of loodzuuraccu's in serie (positief naar negatief, positief naar negatief, enz.), omdat dit kan leiden tot gevaarlijk hoge spanningen.

LEER UW APPARATUUR KENNEN

Goal Zero Yeti Link Expansie Module



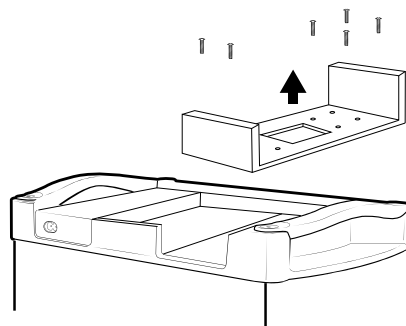


▲ Zorg ervoor dat de kabel vóór gebruik volledig is ingestoken en stevig op zijn plaats zit. Controleer het bij een volgend gebruik. Neem voor vragen contact op met Solutions Center via support@goalzero.com of 1-888-794-6250

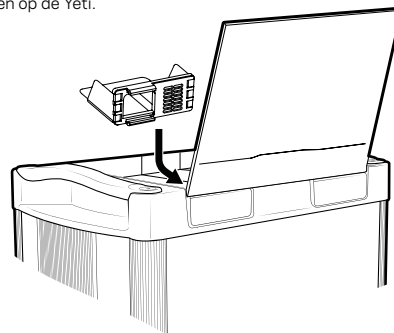
HOE TE INSTALLEREN

Hulpmiddelen die je nodig hebt: **Kruiskopschroevendraaier**

1. Schakel alle uitgangspoorten uit en koppel de Yeti los van elke voedingsbron.

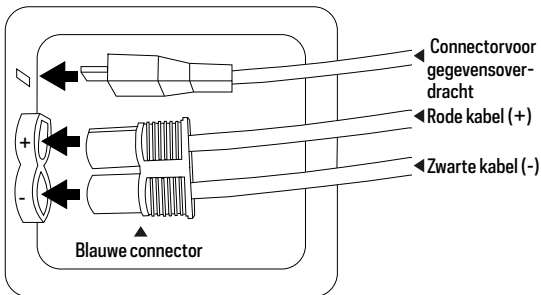


2. Open het deksel van de Yeti en verwijder de wagen van de uitbreidingsmodule van de Yeti door de zes schroeven te verwijderen en de wagen naar buiten te schuiven.
3. Steek de meegeleverde Link Lock in de opening aan de achterkant van de Yeti en lijn de schroefgaten op de Link Lock uit met de gaten op de Yeti.

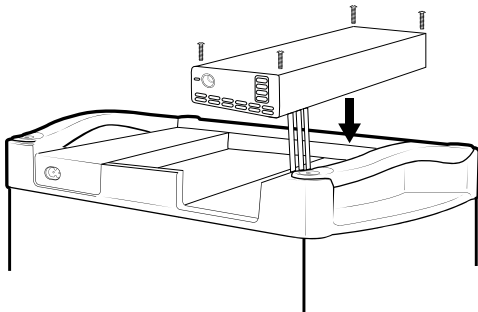


4. Neem de blauwe connector en micro-USB-kabel op de Link-module en steek ze in de module en micro-USB-poorten op de Yeti, waarbij positief op positief, negatief op negatief en micro op micro wordt afgestemd.

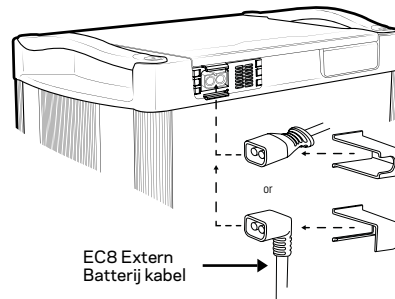
⚠ WAARSCHUWING: Overschrijd de 22V-ingang voor de Link niet. Dit kan ernstige schade aan de Yeti en mogelijk lichamelijk letsel veroorzaken. Houd rekening met spanningen bij gebruik van zonnepanelen van derden of loodzuuraccu's van derden met de module. Schakel geen zonnepanelen of loodzuuraccu's in serie (positief naar negatief, positief naar negatief, enz.), omdat dit kan leiden tot gevaarlijk hoge spanningen.



5. Plaats de Link voorzichtig op zijn plaats en stop de kabels in de opening.
6. Gebruik de meegeleverde vier schroeven om de Link op zijn plaats te bevestigen.



⚠ Zorg ervoor dat de kabel vóór gebruik volledig is ingestoken en stevig op zijn plaats zit. Controleer het bij een volgend gebruik. Neem voor vragen contact op met Solutions Center via support@goalzero.com of 1-888-794-6250

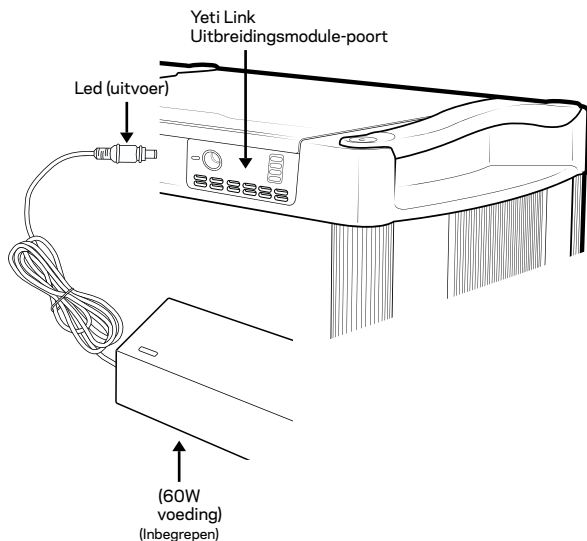
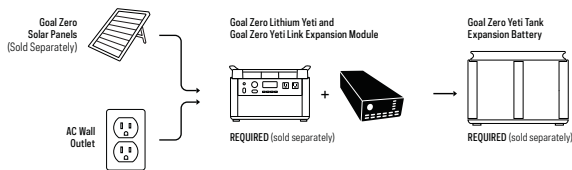


7. Gebruik de 8 mm-poort om de stroombron in de Link te steken.
8. Ga verder met het aansluiten van de EC8-kabel en schuif de rechte of de 90-graden EC8-kabelhouder over de kabel en in de sleuven van de Link Lock. Wanneer de stroombron correct is aangesloten, wordt het indicatielampje voor het opladen van de invoer blauw. Wanneer de tank correct is aangesloten op de Link en de stroombron is aangesloten, begint het indicatielampje voor de oplaadstatus van het loodzuur groen te knipperen. **OPMERKING:** Na de plug-in gaan alle LED's op de link aan en vervolgens uit voordat de juiste lampjes worden weergegeven. Dit kan tot 30 seconden duren.
9. De stroombron laadt de Yeti Lithium eerst op. Wanneer de Yeti volledig is opgeladen, begint de stroom zich op te slaan in de Yeti Tank. **OPMERKING:** De stroom die via de 8 mm-poort binnenkomt, stroomt eerst door de tank en vervolgens naar de Yeti. Zonder aangesloten tank of batterij van een derde partij zal deze poort de Yeti niet rechtstreeks opladen.

⚠ Zorg ervoor dat de kabel vóór gebruik volledig is ingestoken en stevig op zijn plaats zit. Controleer het bij een volgend gebruik. Neem voor vragen contact op met Solutions Center via support@goalzero.com of 1-888-794-6250

Hoe het gaat met energieopslag voor thuis - TANKMODUS

De Goal Zero Yeti Tank Expansion Battery kan worden geïntegreerd met een Goal Zero Yeti Lithium of Yeti X Portable Power Station en Goal Zero Yeti Link Expansion Module om uw energieopslagcapaciteit te vergroten. De Link is een lithium-laadcontroller die tot 80A Max stroom kan halen uit een loodzuur-stroombron.



1. Zodra de Link Module in de Yeti is geïnstalleerd, kun je Goal Zero Yeti-uitbreidingstanks bevestigen. Neem hiervoor de mannelijke EC8-kabel van de Expansion Tank en steek deze in de EC8 External Battery Connector op de Link Module die in de Yeti Power Station is geïnstalleerd.
2. Neem vervolgens de meegeleverde voeding of een Goal Zero-zonnepaneel (apart verkrijgbaar) en steek de 8 mm-cilinderconnector (blauwe ring) in de 8 mm-invoerpoort op de Link-module.
OPMERKING: Sluit een tank niet op zichzelf aan als er meerdere tanks zijn aangesloten.
3. De stroom stroomt naar de batterij en vervolgens naar de Yeti-voeding. Zodra de krachtcentrale vol is, begint de stroom de tank te vullen.

OPMERKING

1. De 8 mm-invoerpoort op de Yeti Link is de enige manier om zowel de Yeti als de Yeti Tank op te laden. Invoerpoorten op het Yeti-display laden alleen de Yeti op, niet de Yeti Tank.
2. Wanneer Link en Tank correct zijn geïnstalleerd, gaat de stroom door de 8 mm-poort naar de tank en vervolgens naar de Yeti. Dus zonder aangesloten tank of batterij van derden, kunt u de Yeti niet rechtstreeks opladen via de 8 mm-poort op de Link.

⚠ WAARSCHUWING: Overschrijd de 22V-ingang voor de Link niet. Dit kan ernstige schade aan de Yeti en mogelijk lichamelijk letsel veroorzaken. Houd rekening met spanningen bij gebruik van zonnepanelen van derden of loodzuuraccu's van derden met de module. Schakel geen zonnepanelen of loodzuuraccu's in serie (positief naar negatief, positief naar negatief, enz.), omdat dit kan leiden tot gevaarlijk hoge spanningen.



BELANGRIJKE VEILIGHEIDSINSTRUCTIES



Bewaar deze instructies a.u.b.

Bewaar deze instructies. Lees alle instructies en voorzorgsmaatregelen voordat u met de installatie begint.

Goal Zero raadt aan om de Yeti Link Vehicle Charging-kit te installeren door een getraind professional. De Goal Zero Yeti Link mag in geen geval worden geïnstalleerd zonder de technische vaardigheden, technische informatie, gereedschappen en apparatuur die nodig zijn om de noodzakelijke procedures correct uit te voeren.

Installeer **GEEN** secundaire batterij tussen de batterij en de Yeti Link-module

Onjuiste aansluitingen zullen de Yeti Link Vehicle Charging Kit beschadigen en/of ernstig letsel of de dood veroorzaken. Zorg ervoor dat alle bedrading is aangesloten met de juiste polariteit

Zorg ervoor dat de kabels goed zijn aangesloten. Controleer regelmatig de kabels, vooral voor en na oneffen wegen

Controleer of de kabels correct zijn geïnstalleerd zonder risico op beknelling of slijtage. Het afknellen van kabels of het blootleggen van interne kabels kan leiden tot storingen of brand

Houd spanningvoerende draden, klemmen en andere kale onderdelen uit de buurt van contact met elkaar en andere metalen onderdelen

Draag altijd oogbescherming bij het doen van batterijaansluitingen

Gebruik altijd een rubberen isolerende doorvoertule wanneer u door stalen panelen boort om de EC8-kabel te laten lopen

Leg elektrische kabels nooit over scherpe randen

Leg elektrische kabels nooit in de buurt van onderdelen die heet worden

Leg elektrische kabels nooit over accupolen

Leid elektrische kabels nooit door of in de buurt van bewegende delen

Elektrische kabels moeten beschermd zijn tegen opspattend water, afvloeiend regenwater, zand of grind van het wegdek.

Goal Zero wijst elke aansprakelijkheid af voor problemen en schade veroorzaakt doordat het systeem wordt geïnstalleerd door ongetraind personeel.

De voertuigeigenaar is verantwoordelijk voor de juiste werking van het apparaat

Afstand laten houden van warmtebronnen (bijv. te dicht bij onderdelen van het uitlaatsysteem of direct achter de radiator, enz.).

⚠ WAARSCHUWING: Om het risico op brand, persoonlijk letsel of schade aan eigendommen te verminderen, alleen gebruiken op de manier die is bedoeld door Goal Zero

⚠ WAARSCHUWING: De Goal Zero Yeti Link Vehicle Charging Kit zendt stroom naar de Link Module en Yeti met zeer hoge stroomsterkten tot 80A Max Stroom. Wees uiterst voorzichtig bij het installeren. Gebruik bij de installatie alleen de door Goal Zero geleverde kabels en aansluitingen. Indien geïnstalleerd met verbindingen van derden of wijzigingen worden aangebracht aan door Goal Zero geleverde kabels, kan schade aan componenten, voertuig of persoon optreden.

⚠ WAARSCHUWING: Onjuiste aansluitingen zullen de Yeti Link Vehicle Charging Kit beschadigen en/of ernstig letsel of de dood veroorzaken. Zorg ervoor dat alle bedrading is aangesloten met de juiste polariteit

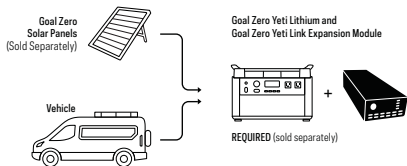
⚠ WAARSCHUWING: Sluit nooit een stroombron aan op de Link voordat u deze in de Yeti installeert. Sluit de Link altijd aan op de Yeti voordat u een stroombron aansluit.

⚠ WAARSCHUWING: Overschrijd de 22V-ingang voor de Link niet. Dit kan ernstige schade aan de Yeti en mogelijk lichamelijk letsel veroorzaken. Houd rekening met spanningen bij gebruik van zonnepanelen van derden of loodzuuraccu's van derden met de module. Schakel geen zonnepanelen of loodzuuraccu's in serie (positief naar negatief, positief naar negatief, enz.), omdat dit kan leiden tot gevaarlijk hoge spanningen.

LET OP: Als de dynamo van uw voertuig lager is dan 150 Amps, laat uw voertuig dan niet stationair draaien om het Yeti stroomstation op te laden. Als u het Yeti stroomstation stationair oplaadt kan uw dynamo oververhit raken en kan de levensduur van uw dynamo verkorten.

Hoe het gaat - VOERTUIGMODUS

Laad snel en eenvoudig een Yeti Lithium (1000 of hoger) op vanuit uw voertuig terwijl u onderweg bent. Opladsnelheden variëren van 25A - 80A max. stroom (300W - 750W), afhankelijk van de grootte en capaciteit van de Yeti Lithium.

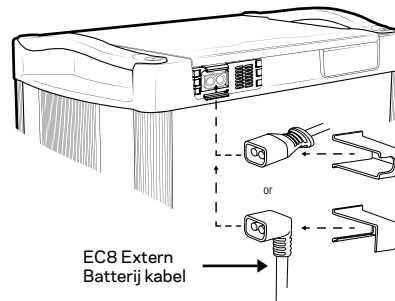
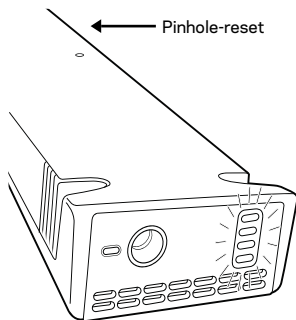


HOE HET WERKT

Wanneer de Yeti Link in "Voertuigmodus" wordt geplaatst, kan uw Yeti Lithium veilig stroom van de dynamo van uw voertuig halen terwijl het voertuig rijdt en stoppen met het trekken van stroom wanneer het voertuig is uitgeschakeld.

OPMERKING: De Yeti Link moet in de voertuigmodus staan om deze functie te gebruiken, anders raakt de batterij van uw voertuig leeg. Alle links zijn standaard ingesteld in "Tank-modus".

1. Zodra Link in Yeti is geïnstalleerd, schakel je Link van tankmodus naar voertuigmodus door vier keer op de resetknop met gaatjes bovenop de Link te drukken.
2. Indicatielampjes gaan aan en knipperen samen wanneer de Link met succes in de voertuigmodus is gezet.
3. Om terug te schakelen naar de tankmodus, drukt u nog vier keer op de pinhole-resetknop bovenop de Link. Indicatielampjes zullen afzonderlijk van onder naar boven bewegen wanneer de Link met succes in de tankmodus is geplaatst. **OPMERKING:** Plaats het NIET terug in de tankmodus terwijl deze is aangesloten op uw voertuig.



4. Zodra Link is overgeschakeld naar de voertuigmodus, kunt u verbinding maken met de +/- batterij of dynamo van uw voertuig. Door gebruik te maken van de Goal Zero EC8 Verlengkabel.
Let op: gebruik hiervoor alleen authentieke Goal Zero kabels. Gebruik **NIET** meer dan één verlengkabel
Plaats **GEEN** secundaire accu tussen de Link Module en de dynamo of hoofddaccu van het voertuig
5. Sluit de ringklemkabel aan op de positieve en negatieve polen van de hoofddaccu of de dynamo.
6. Onjuiste aansluitingen zullen de Yeti Link Vehicle Charging Kit beschadigen en/of ernstig letsel of de dood veroorzaken. Zorg ervoor dat alle bedrading is aangesloten met de juiste polariteit
7. Steek het mannelijke uiteinde van de EC8-ringklemkabel in het vrouwelijke uiteinde van de EC8-verlengkabel.
8. Ga verder met het aansluiten van de EC8-kabel en schuif de rechte of de 90-graden EC8-kabelhouder over de kabel en in de sleuven van de Link Lock.
 - Zorg ervoor dat de kabels goed zijn aangesloten. Controleer regelmatig de kabels, vooral voor en na oneffen wegen

⚠ WAARSCHUWING: Zorg ervoor dat u alleen Goal Zero-producten gebruikt tussen uw Link en Dynamo. Alle andere kabels of bedrading worden niet ondersteund of aanbevolen, aangezien deze kabels een nominale waarde moeten hebben van minimaal 80A Max Stroom

Zorg ervoor dat de kabel vóór gebruik volledig is ingestoken en stevig op zijn plaats zit. Controleer het bij een volgend gebruik. Neem voor vragen contact op met Solutions Center via support@goalzero.com of 1-888-794-6250

BATTERIJCONTROLE-LAMPJES

Ingang laadindicator

KNIPPEREND BLAUW - Stroombron is correct aangesloten

op 8 mm ingang en wordt opgeladen.

BLAUW - Loodzuurbatterij is vol.

Indicator voor laadstatus van loodzuur:

1 LED-LAMPJE - Loodzuurbatterij is 25% vol of minder

2 LED-LAMPJES - Loodzuurbatterij is 25% - 50% vol

3 LED-LAMPJES - Loodzuurbatterij is 50% - 75% vol

ALLE LED-LAMPJES - Loodzuurbatterij is 75% vol of nog meer

Fout LED

KNIPPEREND ROOD - Yeti bevindt zich in een

overspanningstoestand of een loodzuurbatterij bevindt zich in

een onderspanning toestand. Koppel alle tankkabels los van Link

en Yeti en bel onze zonnepaneel-experts op 888-794-6250.

OPMERKING

De 8 mm-invoerpoort op de Yeti Link is de enige manier om zowel de Yeti als de Yeti Tank op te laden. Invoerpoorten op het Yeti-display laden alleen de Yeti op, niet de Yeti Tank.

Wanneer Link en Tank correct zijn geïnstalleerd, gaat de stroom door de 8 mm-poort naar de tank en vervolgens naar de Yeti. Dus zonder aangesloten tank of batterij van derden, kunt u de Yeti niet rechtstreeks opladen via de 8 mm-poort op de Link.

VEELGESTELDE VRAGEN

V: Ik laad mijn Yeti op en deze is aangesloten op een of meer Tank-accu's, maar mijn Tank-accu's raken niet vol. Wat moet ik doen?

A: Zorg er eerst voor dat u de ingang op uw Link gebruikt om uw systeem op te laden. Deze ingang is de enige manier om zowel je Tank(s) als Yeti tegelijkertijd op te laden. Als je de juiste invoer gebruikt en nog steeds een probleem hebt, probeer dan te resetten door je Link opnieuw te installeren.

V: Ik heb mijn Link in mijn Yeti geïnstalleerd, mijn batterijen aangesloten en ik laat geen opladen zien. Wat is er aan de hand?

A: Bij de eerste installatie heeft de Link tijd nodig om te bepalen welk type Yeti er is om de prestaties te maximaliseren. Het kan tot 30 seconden duren voordat het begint te werken.

V: Het kan tot 30 seconden duren voordat het begint te werken.

A: Hoewel niet aanbevolen ja, kunt u elke 12V SLA of AGM diepe kringloop loodzuuraccu gebruiken met de Link. U hebt echter een Goal Zero Male Link Chaining-kabel nodig om uw batterijen op de Link aan te sluiten.

V: Als ik mijn eigen loodzuurbatterijen van derden gebruik, hoe sluit ik ze dan aan?

A: Als u meerdere 12V-loodzuuraccu's op uw Link aansluit, zorg er dan voor dat u de accu's parallel aansluit. Parallele verbindingen verhogen uw stroomwaarde, maar de spanning blijft hetzelfde.

⚠ WAARSCHUWING: Als u batterijen aan elkaar koppelt, neemt de spanning toe, wat schade aan het apparaat en mogelijk persoonlijk letsel of de dood tot gevolg heeft.

V: Hoeveel loodzuurbatterijen kan ik op de Link aansluiten?

A: U kunt zoveel 12V-loodzuuraccu's op uw Link aansluiten als u wilt.

V: Waarom laadt mijn Link mijn Yeti maar tot 98% op?

A: De Link laadt alleen een nieuwere generatie Yeti Lithium op tot 98%. Deze bescherming is aanwezig om de levensduur van uw batterij te beschermen en te verlengen. Tweede generatie Yeti Lithium energiecentrales voorzien van de laatste firmware updates kunnen tot 100% opgeladen worden.

V: Als je de Link eenmaal in de voertuigmodus hebt gezet, blijft hij dan in de voertuigmodus totdat je hem weer in de tankmodus zet?

A: De Yeti Link blijft in de voertuigmodus totdat u hem handmatig terugzet naar de tankmodus. Als u het apparaat van uw voertuig verplaatst om het vervolgens aan de tankbatterijen in uw huis te koppelen, moet u de link wijzigen van voertuigmodus naar tankmodus.

V: Gaat de zonne-energie de voertuigaccu nog voeden als het voertuig niet draait?

A: Ja, als u een zonnepaneel rechtstreeks op de 8 mm-poort op de Yeti Link heeft aangesloten, laadt het paneel zowel de Yeti als de batterij van uw voertuig op wanneer deze niet werkt.

Goal Zero Yeti Link Expansie Module

80A max. stroom van externe tanks/stroombron naar de interne lithiumbatterij van de Yeti

Laadt het volgende op:

Goal Zero Yeti 1000X @ Max Input 605W

Goal Zero Yeti 1500X @ Max Input 750W

Goal Zero Yeti 3000X @ Max Input 750W

Goal Zero Yeti 6000X @ Max Input 750W

Poorten: Overschrijd de 22V-ingang voor de Link niet.

8 mm Opladen 14 - 22V, niet meer dan 100W of 7,5A

Externe Batterijconnector 80A maximale stroom 10.7 - 15V


Algemeen

Gewicht 1.5 lbs (680 gr)

Afmetingen 10,25 x 3,3 x 1,5 in (26 x 8,4 x 3,8 cm)

Gebruikstemperatuur 32-104 F (0-40C)

Garantie 12 maanden

Certificaten 



VIKTIGA SÄKERHETSINSTRUKTIONER



Spara dessa instruktioner

Läs alla instruktioner och försiktighetsåtgärder innan du påbörjar installationen.

Inget ansvar tas för skador som orsakas genom användning av informationen i denna bruksanvisning.

WARNING: Goal Zero Yeti Link producerar mycket höga strömstyrkor. Använd endast Goal Zero-kablar. Modifierade kablar eller kontakter eller kablar eller kontakter från tredje part kan vara inkompatibla och kan skada komponenter, fordon eller person.

WARNING För att minska risken för brand, personskador eller materiella skador, använd endast på det sätt som är avsett enligt Goal Zero

Ta **INTE** isär eller försök reparera modulen.

Låt **INTE** vatten komma in i modulen, Goal Zero Yeti Lithium eller Goal Zero Yeti Tank.

Se till att kabeln är helt isatt och ordentligt fastsatt före användning. Kontrollera vid efterföljande användningar. Vid frågor, kontakta Solutions Center på support@goalzero.com or 1-888-794-6250

Seriekoppla **INTE** solpaneler från tredje part eller blybatterier (genom att ansluta positiv till negativ, positiv till negativ, etc.), eftersom detta kan leda till farligt höga spänningsnivåer som kan orsaka allvarliga skador på Yeti Lithium och potentiellt orsaka kroppsskada.

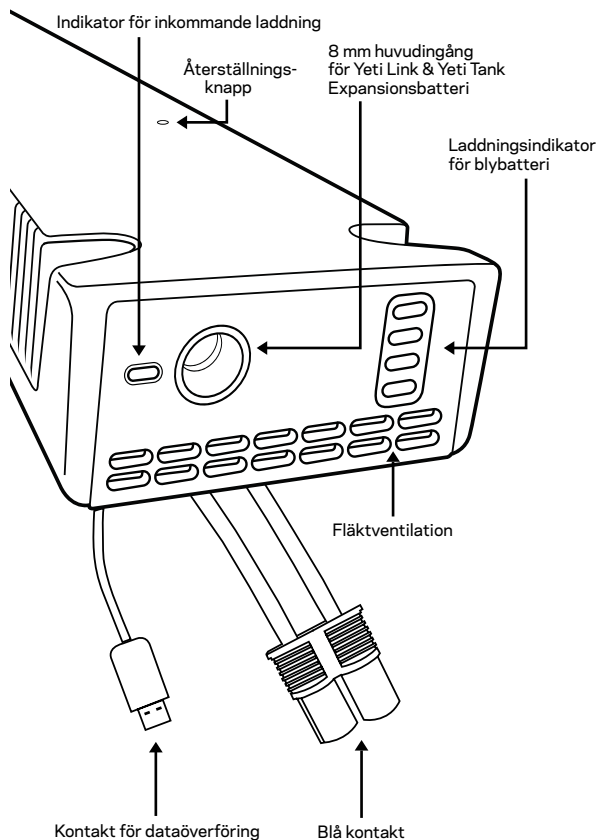
Kompatibel med Yeti 1000, 1000X, 1400, 1500X, 3000, 3000X, och Yeti 6000X Lithium kraftstationer

⚠ WARNING: Anslut aldrig en strömkälla till Yeti Link innan du installerar den i Yeti. Anslut alltid Link till Yeti innan du ansluter någon strömkälla.

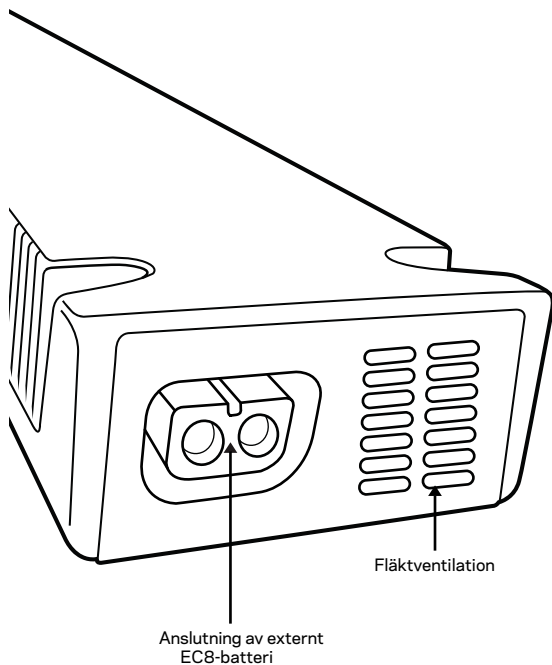
⚠ WARNING: Överskrid inte 22V inmatning för Link. Detta kan orsaka allvarliga skador på Yeti och potentiella personskador. Notera spänningen vid användning av solpaneler från tredje part eller blybatterier från tredje part med modulen. Seriekoppla inte solpaneler eller blybatterier (genom att ansluta positiv till negativ, positiv till negativ, etc.), eftersom detta kan leda till farligt höga spänningsnivåer.

LÄR KÄNNA DIN UTRUSTNING

Framsidan på Link expansionsmodul



Baksidan på Link expansionsmodul

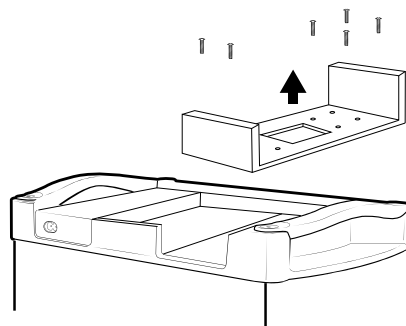


⚠ Se till att kabeln är helt isatt och ordentligt fastsatt före användning. Kontrollera vid efterföljande användningar. Vid frågor, kontakta Solutions Center på support@goalzero.com or 1-888-794-6250

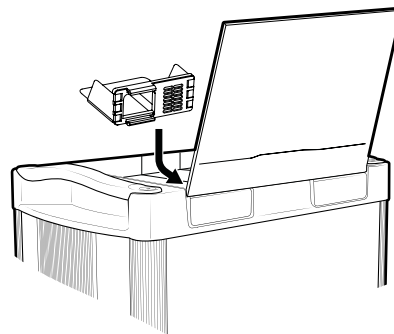
INSTALLATION

Verktyg som behövs: Stjärnskruvmejsel

1. Stäng av alla utgångsportar och koppla bort Yeti från strömkällan.

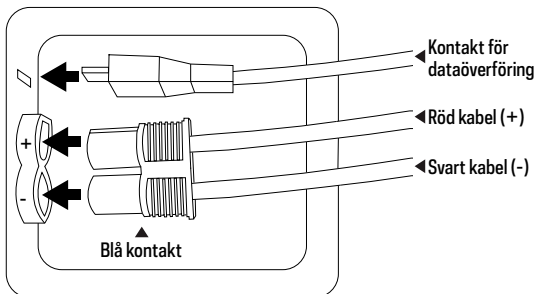


2. Öppna Yetis lock och ta bort hållaren av expansionsmodulen från Yeti genom att ta bort de sex skruvarna och dra ut den hållaren.
3. Sätt i medföljande Link Lock i öppningen mot baksidan av Yeti och rikta in skruvhålen på Link Lock med hålen på Yeti.

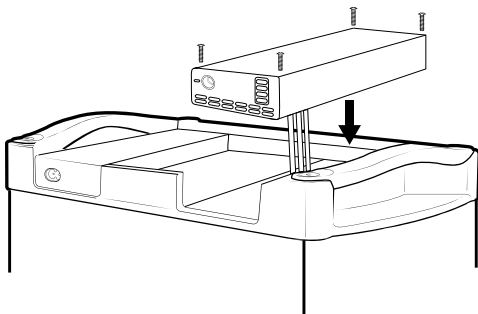


4. Ta den blå kontakten och mikro-USB-kabeln på Link-modulen och sätt in dem i modulen och mikro-USB-portarna på Yeti, vilket ska matcha positiv till positiv, negativ till negativ och micro till micro.

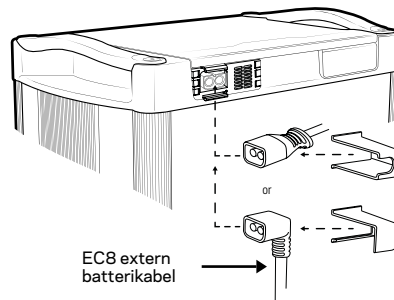
⚠ VARNING: Överskrid inte 22V inmatning för modulen. Detta kan orsaka allvarliga skador på Yeti och potentiella personskador. Notera spänningen vid användning av solpaneler från tredje part med modulen. Seriekoppla inte solpaneler (genom att ansluta positiv till negativ, positiv till negativ, etc.), eftersom detta kan leda till farligt höga spänningsnivåer.



5. Sätt försiktigt Link på plats och stoppa in kablarna i öppningen.
6. Använd de medföljande fyra skruvarna och fäst Link på plats.
7. Anslut strömkällan till Link med hjälp av 8 mm-porten.



⚠ Se till att kabeln är helt isatt och ordentligt fastsatt före användning. Kontrollera vid efterföljande användningar. Vid frågor, kontakta Solutions Center på support@goalzero.com or 1-888-794-6250

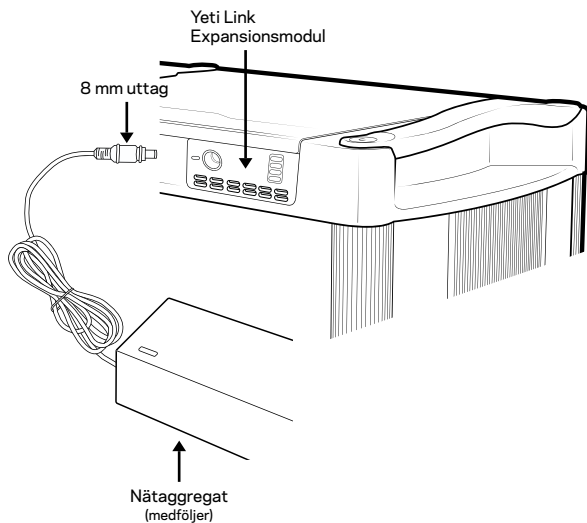
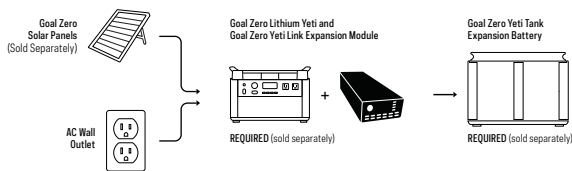


8. Anslut EC8-kabeln och skjut antingen den raka eller 90-graders EC8-kabelhållaren över kabeln och in i Link Locks öppningar. När strömkällan är korrekt ansluten blir indikatorlampan för ingångsladdning blå. När Tanken är korrekt ansluten till Link och strömkällan är ansluten börjar laddningslampan för blybatteriet blinka grönt. OBS: Vid anslutning tänds alla LED-lampor och släcks innan rätt lampor visas. Detta kan ta upp till 30 sekunder.
9. Strömkällan kommer att ladda Yeti först. När Yeti är fulladdad börjar strömmen lagras i Tanken. OBS: Strömmen som kommer in från 8 mm-porten kommer att flöda genom Tanken först och sedan in i Yeti. Utan en tank eller ett batteri från tredje part ansluten kommer denna port inte att ladda Yeti direkt.

⚠ Se till att kabeln är helt isatt och ordentligt fastsatt före användning. Kontrollera vid efterföljande användningar. Vid frågor, kontakta Solutions Center på support@goalzero.com or 1-888-794-6250

HUR DET FUNGERAR MED ENERGILAGRING HEMMA - TANKLÄGE

Link-Expansionsmodulen Goal Zero Yeti integreras med ett Goal Zero Yeti Lithium eller Yeti X Portabel kraftstation och Goal Zero Yeti Tankexpansionsbatteri för att öka din energilagringskapacitet. Link är en litiumladdningsregulator som kommer att dra upp till 80A max ström från en blysyraströmkälla.



1. När Link-modulen har installerats i Yeti kommer du att kunna ansluta Goal Zero Yeti Expansionstankar. För att göra detta ta EC8-kabeln (hane) från expansionstanken och anslut den till EC8 Extern batterikontakt på Link-modulen som är installerad i Yeti-kraftstationen.
2. Ta sedan antingen den medföljande nättaggregatet eller en Goal Zero solpanel (såljs separat) och anslut 8 mm-stiftkontakten (blå ring) till 8 mm-ingångsporten på länkmодulen.
OBS: Anslut inte en tank till sig själv när flera tankar är anslutna.
3. Strömmen flödar in i batteriet och sedan in i Yeti-kraftstationen. När kraftstationen är full kommer strömmen att börja fylla tanken.

OBS

1. 8 mm-porten på Link är det enda sättet att ladda både Yeti och Tank. Ingångsportarna på Yeti-displayen laddar bara Yeti, inte Tanken.
2. När Link och Tanken är korrekt installerade passerar strömmen genom 8 mm-porten till Tanken och sedan in i Yeti. Utan en tank eller ett batteri från tredje part kan du inte ladda Yeti direkt med 8 mm-porten på Link.

⚠ VARNING: Överskrid inte 22V inmatning för modulen. Detta kan orsaka allvarliga skador på Yeti och potentiella personsador. Notera spänningen vid användning av solpaneler från tredje part med modulen. Seriekoppla inte solpaneler (genom att ansluta positiv till negativ, positiv till negativ, etc.), eftersom detta kan leda till farligt höga spänningsnivåer.



VIKTIGA SÄKERHETSINSTRUKTIONER



Spara dessa instruktioner

Läs alla instruktioner och försiktighetsåtgärder innan du påbörjar installationen.

Goal Zero rekommenderar installation av Yeti Link laddnings-kit för fordon installeras av professionella. Goal Zero Yeti Link får under inga omständigheter installeras utan tekniska färdigheter, teknisk information, verktyg och utrustning som krävs för att korrekt slutföra de nödvändiga förfarandena.

Installera INTE ett sekundärt batteri mellan batteriet och Yeti Link-modulen

Felaktiga kontakter skadar Yeti Link-modulen/kablar och/eller kan orsaka allvarliga skador eller dödsfall. Se till att alla anslutningar är anslutna till korrekt polaritet

Se till att kablar är ordentligt fastsatta. Kontrollera kablar regelbundet, särskilt före och efter ojämna vägbanor

Bekräfta att kablar är korrekt installerade utan risk för klämning eller nötning. Klämda kablar eller annat som kan orsaka exponerade kablar kan leda till funktionsfel eller bränder

Se till att kablar, terminaler och andra exponerade delar inte får kontakt med varandra och andra metalleder

Använd alltid ögonskydd när du gör batterianslutningar

Använd alltid gummiisolerande oljetter vid borring genom stålpaneler för att dra ECB-kabeln

Dra aldrig elkablar över vassa kanter

Dra aldrig elkablar nära delar som blir varma

Dra aldrig elkablar över batteriterminaler

Dra aldrig elkablar genom eller i närheten av delar som rör sig

Elkablar ska vara skyddade från vägspray, regnavrinning, sand eller grus från vägen.

Goal Zero fransäger sig allt ansvar för problem och skador som orsakas av att systemet installeras av utbildad personal.

Fordonsägaren ansvarar för att enheten fungerar korrekt

Håll den borta från värmekällor (t.ex. för nära avgassystemkomponenter eller direkt bakom kylaren, etc.).

⚠ WARNING: För att minska risken för brand, personskador eller materiella skador, använd endast på det sätt som är avsett enligt Goal Zero

⚠ WARNING: Goal Zero Yeti Link-kit för laddning av fordon skickar in ström in i Link-modulen och Yeti med mycket höga ampere, upp till 80A max ström. Var mycket försiktig under installationen. Använd endast Goal Zero-kablar och kontakter vid installation. Om de installeras med anslutningar eller ändringar från tredje part görs på de medföljande kablarna från Goal Zero kan det orsaka skador på komponenter, fordon eller person.

⚠ WARNING: Felaktiga kontakter skadar Yeti Link laddnings-kit för fordon och/eller kan orsaka allvarliga skador eller dödsfall. Se till att alla anslutningar är anslutna till korrekt polaritet

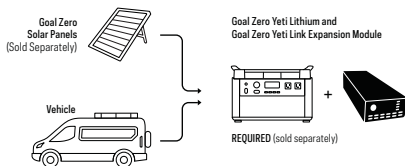
⚠ WARNING: Anslut aldrig en strömkälla till Yeti Link innan du installerar den i Yeti. Anslut alltid Link till Yeti innan du ansluter någon strömkälla.

⚠ WARNING: Överskrid inte 22V inmatning för Link. Detta kan orsaka allvarliga skador på Yeti och potentiella personskador. Notera spänningen vid användning av solpaneler från tredje part eller blybatterier från tredje part med modulen. Seriekoppla inte solpaneler eller blybatterier (genom att ansluta positiv till negativ, positiv till negativ, etc.), eftersom detta kan leda till farligt höga spänningsnivåer.

OBS: Om ditt fordons generator är på mindre än 150 ampere ska du inte köra ditt fordon på tomgång för att ladda din Yeti-kraftstation. Tomgångsladdning av Yeti-kraftstationen kan leda till att generatorm överhettas och att generatorns livslängd förkortas.

HUR DEN FUNGERAR - FORDONSLÄGE

Ladda snabbt och enkelt ett Yeti Lithium (1000 eller högre) från ditt fordon när du är ute på vägarna. Laddningen varierar från 25A - 80A maxström (300W - 750W) beroende på Yeti Lithiums storlek och kapacitet.

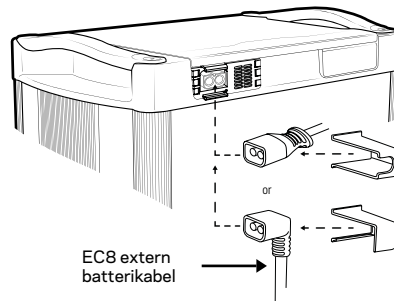
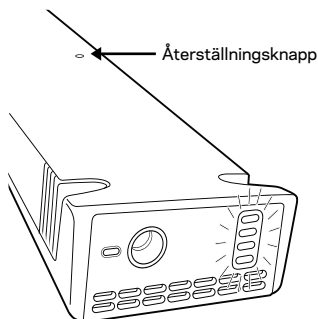


HUR DEN FUNGERAR

När Yeti Link sätts i "fordonsläge" kan du säkert dra ström med Yeti Lithium från fordonets generator medan fordonet är igång och sluta dra ström när fordonet är avstängt.

OBS: Yeti Link måste vara i fordonsläge för att använda den här funktionen, annars töms fordonets batteri. Alla Link är inställda på "Tankläge" som standard.

1. När Link har installerats i Yeti växlar du Link från tankläge till fordonsläge genom att trycka på återställningsknappen ovanpå Link fyra gånger.
2. Indikatorlampor tänds och blinkar tillsammans när Link är i fordonsläge.
3. För att växla tillbaka till tankläge trycker du på återställningsknappen ovanpå Link ytterligare fyra gånger. Indikatorlamporna rullar från botten till toppen individuellt när Link är i tankläge. OBS: Sätt den INTE i tankläge när den är ansluten till ditt fordon.



4. När Link har växlat till fordonsläge kan du ansluta den till ditt fordon +/- poler på batteri eller generator. Genom att använda Goal Zero EC8 förlängningskabel.
 - Obs: Använd endast autentiska Goal Zero-kablar för att göra detta. Använd **INTE** mer än en förlängningskabel
 - Ha **INTE** ett sekundärt batteri mellan länkmodulen och fordonets generator eller huvudbatteriet
5. Anslut ringterminalkabeln till de positiva och negativa polerna på antingen huvudbatteriet eller generatorn.
6. Felaktiga kontakter skadar Yeti Link-modulen/tillbehörskablar och/eller kan orsaka allvarliga skador eller dödsfall. Se till att alla kablar är anslutna till korrekt polaritet
7. Anslut EC8-ringterminalkabelns hanände till EC8-förlängningskabelns honände.
8. Anslut hanänden på förlängningskabeln till länkmodulens externa EC8-port och skjut antingen den raka eller 90-graders EC8-kabelhållaren över kabeln och in i Link Locks öppningar.
 - Se till att kablar är ordentligt fastsatta. Kontrollera kablar regelbundet, särskilt före och efter ojämna vägar.

⚠ VARNING: Se till att du enbart använder Goal Zero-produkter mellan Link och generatorn. Alla andra kablar eller ledningar stöds inte eller rekommenderas eftersom dessa kablar måste klassas för att hantera minst 80A maxström

Se till att kabeln är helt isatt och ordentligt fastsatt före användning. Kontrollera vid efterföljande användningar. Vid frågor, kontakta Solutions Center på support@goalzero.com or 1-888-794-6250

LADDNINGSDINDIKATOR

Indikator för inkommande laddning

BLINKANDE BLÅ - Strömkällan är korrekt ansluten till

8 mm-ingången och laddar.

BLÅ - Blybatteriet är fullt.

Laddningsindikator för blybatterier:

1 LED-LAMPA - Blybatteriet är 25 % laddat eller mindre

2 LED-LAMPOR - Blybatteriet är 25-50 % laddat

3 LED-LAMPOR - Blybatteriet är 50-75 % laddat

ALLA LED-LAMPOR - Blybatteriet är 75 % laddat eller mer

LED vid fel

BLINKANDE RÖTT - Yeti har överspänning eller blybatteriet

har underspänning. Koppla bort alla Tank-kablar från Link och

Yeti och ring våra solexperter på 888-794-6250.

OBS

1 8 mm-porten på Link är det enda sättet att ladda både Yeti och Tank.

Ingångsportarna på Yeti-displayen laddar bara Yeti, inte Tanken.

2 När Link och Tanken är korrekt installerade passerar strömmen genom

8 mm-porten till Tanken och sedan in i Yeti. Utan en tank eller ett batteri

från tredje part kan du inte ladda Yeti direkt med 8 mm-porten på Link.

VANLIGA FRÅGOR

F: Jag laddar min Yeti och den är ansluten till ett eller flera tankbatterier, men mina tankbatterier laddas inte. Vad bör jag göra?

S: Kontrollera först att du använder ingången på din Link för att ladda ditt system. Den här ingången är det enda sättet att ladda både din tank och Yeti samtidigt. Om du använder rätt ingång och fortfarande har problem kan du försöka återställa genom att installera om Link.

F: Jag har anslutit min Link till min Yeti, anslutit mina batterier och jag ser ingen laddning. Varför händer inget?

S: Vid den första installationen behöver Link tid för att identifiera vilken typ av Yeti du äger för att maximera prestandan. Det kan ta upp till 30 sekunder innan driften startar.

F: Kan jag använda blybatterier från tredje part som inte kommer från Goal Zero med Link?

S: Även om det inte rekommenderas så kan du använda 12V SLA eller AGM djupcykel blybatteri med Link. Du behöver dock en Goal Zero Link kopplingskabel (hane) för att ansluta dina batterier till Link.

F: Om jag använder mina egna blybatterier från tredje part, hur kopplar jag dem?

S: När du ansluter flera 12V-blybatterier till din Link, se till att ansluta batterierna parallellt. Parallella anslutningar ökar din nuvarande klassning, men spänningen förblir densamma.

⚠ WARNING: Att seriekoppla batterier ökar spänningen vilket orsakar skador på enheten och kan resultera i personskador eller dödsfall.

F: Hur många blybatterier kan jag ansluta till Link?

S: Du kan ansluta så många 12V blybatterier till Link som du vill.

F: Varför laddar min Link bara min Yeti upp till 98%?

S: Link laddar bara nyare generationer Yeti Lithium till 98%. Detta skydd finns för att skydda och förlänga ditt batteris livslängd. Andra generationens Yeti Lithium kraftstationer med den senaste firmwareuppdateringen kan laddas till 100%.

F: När man har satt Link i fordonsläge, stannar den i fordonsläge tills man växlar tillbaka till tankläge?

S: Yeti Link förblir i fordonsläge tills du manuellt ändrar tillbaka den till tankläge. Om du flyttar enheten från ditt fordon för att sedan sammankoppla den med Tank-batterierna i ditt hem måste du ändra Link från fordonsläge till Tank-läge.

F: Skulle solenergin fortfarande mata fordonsbatteriet när fordonet inte är igång?

S: Ja, om du har en solpanel ansluten direkt till 8mm-porten på Yeti Link kommer panelen att ladda både Yeti och ditt fordonsbatteri när fordonet inte är igång.

Yeti Link expansionsmodul

**80A maxström från externa tankar/
strömkälla till Yetis interna litiumbatteri**

Laddar följande:

GOAL ZERO Yeti 1000X vid max inmatning	605W
--	------

GOAL ZERO Yeti 1500X vid max inmatning	750W
--	------

GOAL ZERO Yeti 3000X vid max inmatning	750W
--	------

GOAL ZERO Yeti 6000X vid max inmatning	750W
--	------

Portar: Överskrid inte 22V inmatning

8 mm laddningsport	14 - 22V, överskrid in 100W eller 7,5A
--------------------	--

Kontakt för anslutning av externt batteri	80A max ström 10,7 - 15V
---	-----------------------------

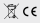
Allmänt:

Vikt	680 g (1,5 lbs)
------	-----------------

Mått	26 x 8,4 x 3,8 cm (10,25 x 3,3 x 1,5 tum)
------	--

Driftstemperatur	0-40C (32-104 F)
------------------	------------------

Garanti	12 månader
---------	------------

Certifikat	 CE
------------	--

GOAL ZERO HEADQUARTERS

675 West 14600 South
Bluffdale, UT 84065
Designed in the U.S.A.
Made in China
1-888-794-6250

This equipment has been tested and found to comply with the limits for a Class B digital device, pursuant to part 15 of the FCC Rules. These limits are designed to provide reasonable protection against harmful interference in a residential installation. This equipment generates, uses and can radiate radio frequency energy and, if not installed and used in accordance with the instructions, may cause harmful interference to radio communications. However, there is no guarantee that interference will not occur in a particular installation. If this equipment does cause harmful interference to radio or television reception, which can be determined by turning the equipment off and on, the user is encouraged to try to correct the interference by one or more of the following measures:

- Reorient or relocate the receiving antenna.
- Increase the separation between the equipment and receiver.
- Connect the equipment into an outlet on a circuit different from that to which the receiver is connected.
- Consult the dealer or an experienced radio/TV technician for help.

This device complies with part 15 of the FCC Rules. Operation is subject to the following two conditions: (1) This device may not cause harmful interference, and (2) this device must accept any interference received, including interference that may cause undesired operation.