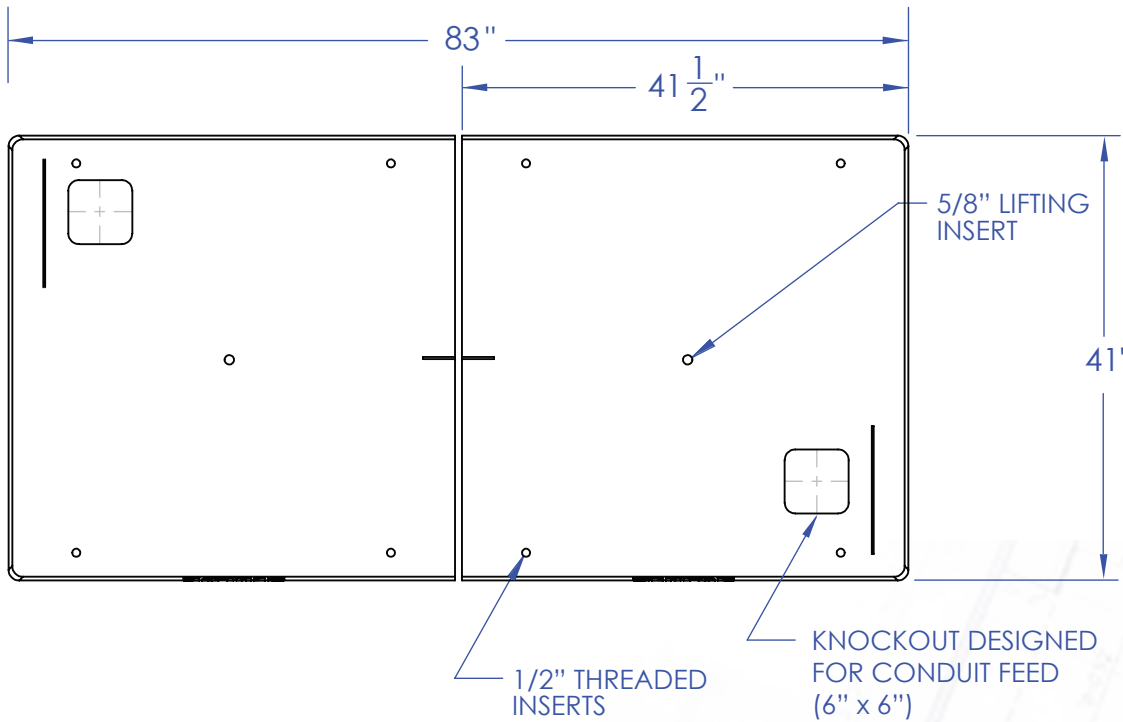


# Technical Specifications

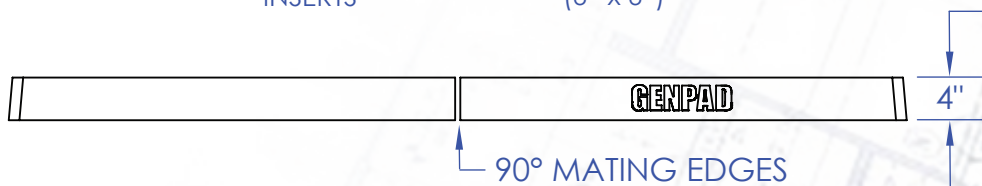
# GENPAD LC™



**GENERAC PART #**  
**1000005771**




Designed for  
Generac Protector  
Series  
Gas Generators

**32-60kW**  
RG | EG | HG Series




**DIVERSITECH®** #FG8341-4G

## SPECIFICATIONS

-  Fiber Reinforced Concrete
-  Steel and Beam Reinforcement
-  8000 PSI Compression Strength

Wind Analysis documentation is available upon request.

## COMPONENTS

-  2 Pad Kit Designed for Installer Flexibility
  - Knockout for Conduit Feed
  - 235 lbs Each Pad
  - Protective-Coated Adjustable Mounting Clips
  - 5/8" Lifting Insert
  - 1/2" Zinc Inserts
  - 1/2" Stainless Steel Bolts, 1/2" Washers



6650 Sugarloaf Pkwy, Suite 100  
Duluth, GA 30097  
800.888.2069 | GENPADS@DIVERSITECH.COM

