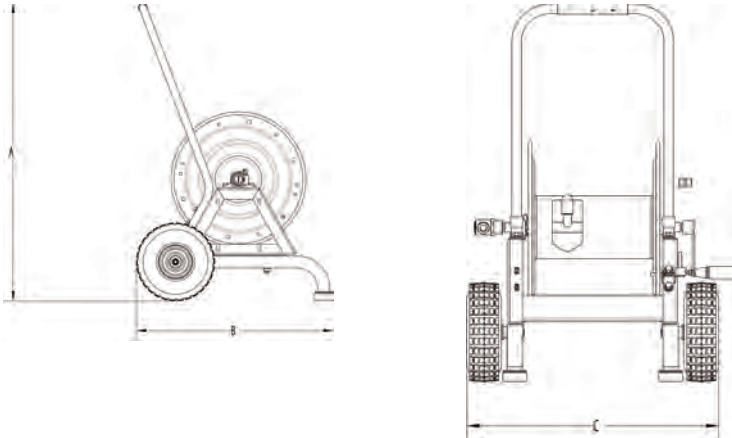
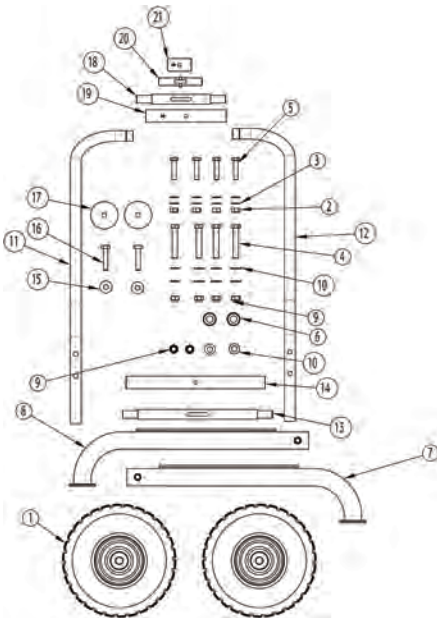


DIMENSIONS

DIMENSIONS MM, [IN]	DHRA50150	DHRA50300	DHRA50450
A	994 [39.13]	994 [39.13]	994 [39.13]
B	657 [25.87]	657 [25.87]	657 [25.87]
C	531 [20.91]	661 [26.02]	801 [31.54]



EXPLODED VIEW AND PARTS



Pos.	Part #	Description	QTY
1	DP80052	WHEEL, 10"	2
2	2203017	NUT, M10, NYLOK, SST	4
3	2203413	WASHER, FLAT, M10	8
4	2200114	BOLT, M12	4
5	2200113	BOLT, M10 X 45	4
6	2660330	BUSHING, CART	2
7	2103306	ASSY, SUB, FRAME, RIGHT	1
8	2103305	ASSY, SUB, FRAME, LEFT	1
9	2203019	NUT, M12, NYLOK, SST	6
10	2203418	WASHER, FLAT, M12	10
11	2550210	HANDLE, CART	1
12	2550211	HANDLE, CART	1
13	2530126	HANDLE, SPACER	1
14	2550212	HANDLE, CENTER	1
15	2200035	WASHER, M10	2
16	2200101	BOLT, M10 X 50	2
17	2700016	FOOT, CART	2
18	2530127	HANDLE, SPACER	1
19	2550213	HANDLE, CENTER	1
20	2530128	HANDLE, SPACER	1
21	2550214	HANDLE, CENTER	1

General Pump

1174 Northland Drive • Mendota Heights, MN 55120

Phone: 651.686.2199 • Fax: 800.535.1745

www.generalpump.com • email: sales@gpcompanies.com

Ref 310038 Rev. A

08-16



* Hose Reel
Not Included

INDUSTRIAL HOSE REEL CART KIT

From General Pump

2100465

- For all General Pump's A-Frame hose reels
- Convert your General Pump hose reel into a hose reel cart
- Makes storage and moving of your fully loaded hose reel easy
- Stainless steel hardware
- Powder coated steel frame
- Unique design - one kit can be used on all three hose reels
- Solid Polyurethane wheels will never go flat

Instruction Manual

Ref 310038 Rev. A
08-16



General Pump
is a member of
The Interpump Group



ASSEMBLY INSTRUCTIONS

NOTE: All hardware is stainless steel. A little oil or anti-seize on the threads will help prevent galling.

Figure 1: Use (4) M12 nuts, bolts and washers to assemble the hose reel to the two rails. The lock pin needs to go toward the front or bent part of the rail. Tighten the nuts.

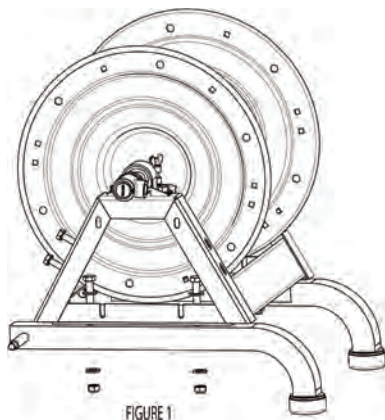


Figure 2: Slide the (2) plastic bushings onto the axles. The bevel on the bushing goes toward the rail. Then slide the wheels on, followed by the M12 washers and nuts. Tighten the nuts.

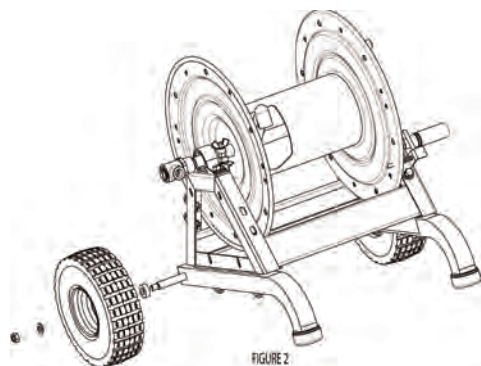
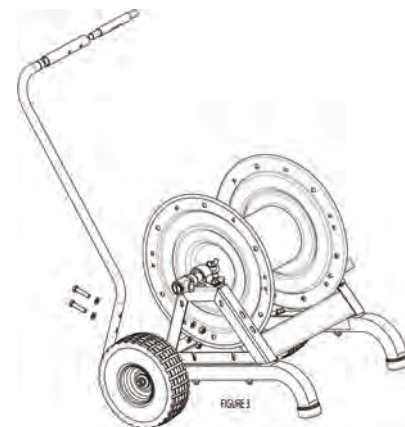


Figure 3: Look at the top of the handles. The top is the end opposite the end with the (2) holes. One handle is marked, RH, for right hand threads. Take the handle that is NOT marked and bolt it to the wheel side of the hose reel with the top bent portion facing toward the center of the reel. Use the (2) M10 nuts, bolts and washers. Do NOT tighten yet.



Find the correct handle connector for your hose reel. There are three:
Short DHRA50150
Medium DHRA50300
Long DHRA50450

One end of the handle connector is marked RH; the end that is NOT marked is a left hand thread. Take the end that is NOT marked and thread it onto the top of the handle (that is already bolted to the hose reel) 1/2 OR 1 TURN ONLY - just enough to hold it onto the handle. Remember, these are left hand threads. Find the correct handle connector stiffener and slide it into the connector as far as it will go.

Figure 4: Take the other handle and slip it over the stiffener and start threading it onto the connector. This is a little tricky as the handles move around, but once it's started it goes on pretty easily. You can do this part by hand.

Once the connector has several threads engaged, you can line up the hole in the connector with the slot in the stiffener. Put a screwdriver all the way through both parts and tighten the connector completely.

Use the remaining M10 nuts, bolts and washers to attach the second handle to the reel. Tighten these and the other handle bolts.

