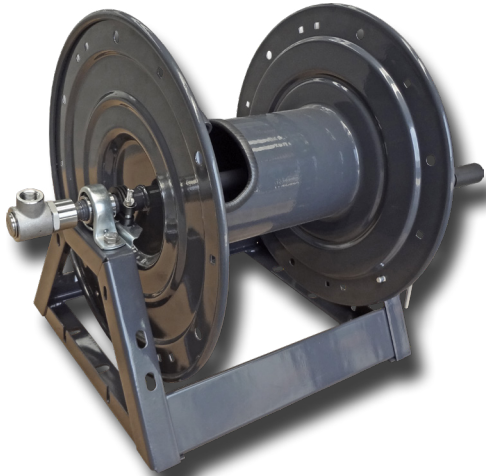


DHRA50150/300/450

Industrial Hose Reels



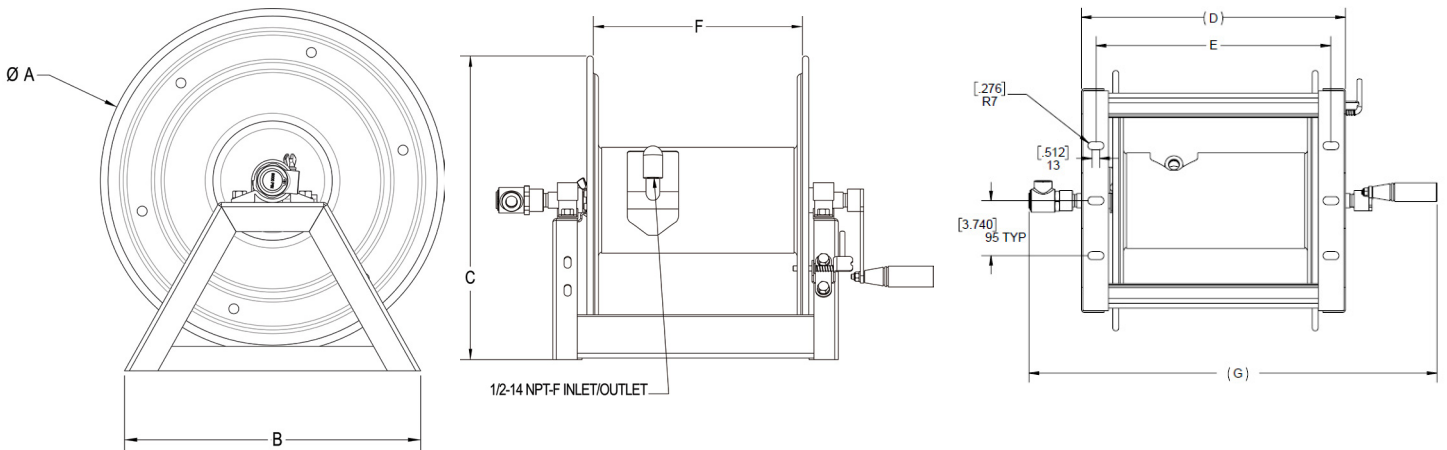
SPECIFICATIONS

PART NUMBER	DHRA50150	DHRA50300	DHRA50450
3/8" Hose Capacity	150 ft.	300 ft.	450 ft.
5/8" Garden Hose Cap.	N/A	225 ft.	325 ft.
3/4" Garden Hose Cap.	N/A	175 ft.	250 ft.
Swivel Pressure Rating	5,000 PSI		
Inlet	1/2" NPT-F		
Outlet	1/2" NPT-F		
Max. Temp	300° F		

FEATURES / BENEFITS

- Friction Brake
- Direct hand-crank rewind with locking pin
- Solid steel construction
- Durable powdercoated finish
- Full flow swivel stainless swivel

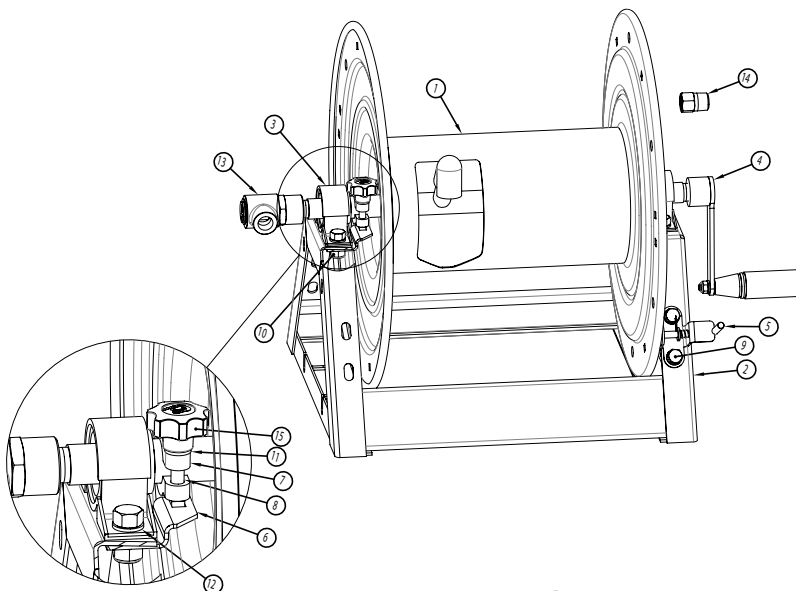
DIMENSIONS



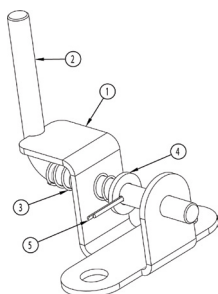
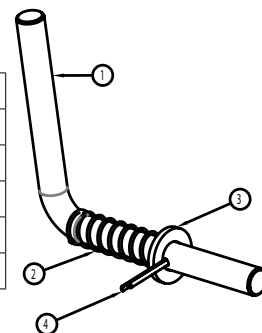
	Dimensions inches/mm						
	A	B	C	D	E	F	G
DHRA50150	17.7/450	15.2/387	18.6/473.6	12.4/315	10.4/264	7.7/196	22.0/559
DHRA50300	17.7/450	15.2/387	18.6/473.6	17.5/445	15.5/394	12.8/326	27.0/687
DHRA50450	17.7/450	15.2/387	18.6/473.6	23.0/585	21.2/539	18.3/466	32.6/828

PARTS LIST

Item	Part No.	Description	QTY
1	2103282	Assy, Hub & Flange, DHRA50450	1
	2103242	Assy, Hub & Flange, DHRA50300	
	2103247	Assy, Hub & Flange, DHRA50150	
2	2103283	Frame, Hose Reel, DHRA50450	1
	2103243	Frame, Hose Reel, DHRA50300	
	2103248	Frame, Hose Reel, DHRA50150	
3	2640025	Pillow Block	2
4	2103244	Assy, Crank	1
5	2103245	Assy, Lock Pin	1
6	2540087	Bracket, Brake	1
7	2660268	Brake	1
8	2200103	Bolt, M8	1
9	2200104	Bolt, M10	6
10	2203017	Nut, M10, Nylok, SST	6
11	2200013	Washer, M8, SS	1
12	2203413	Washer, Flat, M10	12
13	2103246	Swivel	1
14	2530112	Fitting, 1/2NPT-MX3/8NPT-F	2
15	2660405	Knob, Brake	1
	2103249	REPAIR KIT	
	D10032	FITTING, GARDEN HOSE (DHRA50450, DHRA50300)	



Lock Pin Repair Kit 2103345			
Item No.	Part No.	Description	QTY.
1	2540086	PIN, LOCK	1
2	2720025	SPRING, LOCK PIN	1
3	2200013	WASHER, M8, SS	1
4	2202033	PIN, COTTER, 2 x 20	1



Lock Pin Repair Kit 2103245			
Item No.	Part Number	Description	QTY.
1	2540085	Bracket, Lock	1
2	2540086	Pin, Lock	1
3	2720025	Spring, Lock Pin	1
4	2200013	Washer, M8, SS	1
5	2202033	Pin, Cotter, 2x20	1

ASSEMBLY / OPERATING INSTRUCTIONS

1. Connect handle to either end of the axle.
NOTE: The handle acts as a plug to the flow path so use a suitable thread sealant and tighten it accordingly.
2. Connect the swivel on the opposite end of the axle as the handle
3. Use 1/2" or 13 mm bolts when securing the hose reel to ceiling or wall.
4. Use thread sealant (not provided) on inlet threads and on outlet hose (not provided).
5. Attach hose reel hose to hose reel outlet in hub.
6. Attach pump hose to hose reel swivel.
7. The hose reel is ready for operation.

WARNING!

Exposure of skin directly to pressurized air or fluids could result in severe bodily injury!