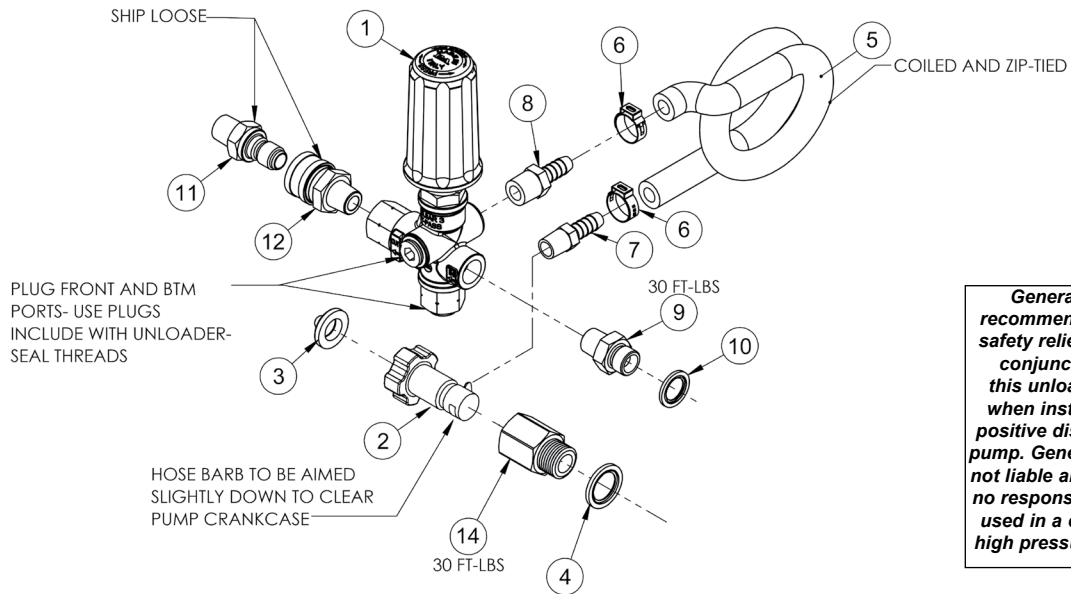


**FEATURES**

- PULSAR4KHPEZ Unloader, 4050 PSI, 10 GPM
- 3/8" Quick Coupler and 3/8" Plug Included
- 3/4" Garden Hose Inlet Fitting with 1/4" Side Port
- 3/8" Hose Barb and Clamp Keeps Hose Secure and Sealed
- General Pump recommends installing a secondary relief and pressure gauge



**PARTS LIST**



**General Pump** recommends using a safety relief device in conjunction with this unloader valve when installed on a positive displacement pump. General Pump is not liable and assumes no responsibility when used in a customer's high pressure system.

No.	Part No.	Description	QTY.
1.	PULSAR4KHPEZ	Unloader, T.P., 4050 PSI, 10.5 GPM, EZ Start	1
2.	680017	Inlet Fitting Assy, Long, 1/2" NPT, 1/4" Port, Capped	1
3.	700004	Filter Washer	1
4.	680110	Seal Ring, 1/2" BSPP	1
5.	639387	Hose, 3/8" ID, 250 PSI BLK	1
6.	639897	Hose Clamp, Crimp Type, 39/64" to 47/64", 9/32" WD	2
7.	638147	3/8" Hose Barb x 1/4" NPT	1
8.	638148	3/8" Hose Barb x 3/8" NPT	1
9.	639298	Adapter, Hex, 3/8" BSPP-M x 3/8" NPT, Steel, 5000 PSI	1
10.	680029	Washer, Face Seal, 3/8" BSP	1
11.	D11009	Plug, 3/8" QC x 3/8" NPT-M, Zinc Plated Steel, Hardened	1
12.	D10004	Coupler, 3/8" QC x 3/8" NPT-M, Brass	1
13.	400128	Warning Label, Prop. 65, 1.5" x. 25"	1
14.	639385	Fitting, 1/2" F-NPT x 1/2" BSPP	1

**INSTALLATION**

This valve, on a system that produces hot water, must be fitted upstream from the source of heat. On a system that generates hot water, it is advisable to use accessories that limit the accidental increase of fluid temperature. **Always install a safety valve.** We recommend the use of a nozzle with flow rate which allows a regular discharge from the valve bypass of at least 5% of the flow supplied by the pump. In order to achieve a constant pressure and easy adjustment. If the nozzle wears out, the pressure decreases. To reset pressure back to working level, it is necessary to replace the worn nozzle. When a new nozzle is fitted, resetting of the system to its original working pressure is required.

**PRESSURE ADJUSTMENT/CALIBRATION**

The desired working pressure must be adjusted with the system running and the gun opened. Adjust the pressure by screwing or unscrewing the adjustment screw. The operation is easier if the correct nozzle has been chosen (see above). When screwing the adjustment screw a consequent pressure increase must be matched. If, before reaching the desired pressure, there is no pressure increase, **DO NOT FORCE.** Rather, check the correct ratio of nozzle/flow rate - pressure and, if necessary, replace with a smaller size nozzle.

**MAINTENANCE**

**STANDARD:** every 400 working hours, check and lubricate the seals with water resistant grease.

**SPECIAL:** every 800 working hours, check the wear of the seals and internal parts and, if necessary, replace with original GP parts taking care, during installation, to lubricate with water resistant grease.

**The manufacturer is not to be considered responsible for damage as a result from incorrect fitting and maintenance.**