

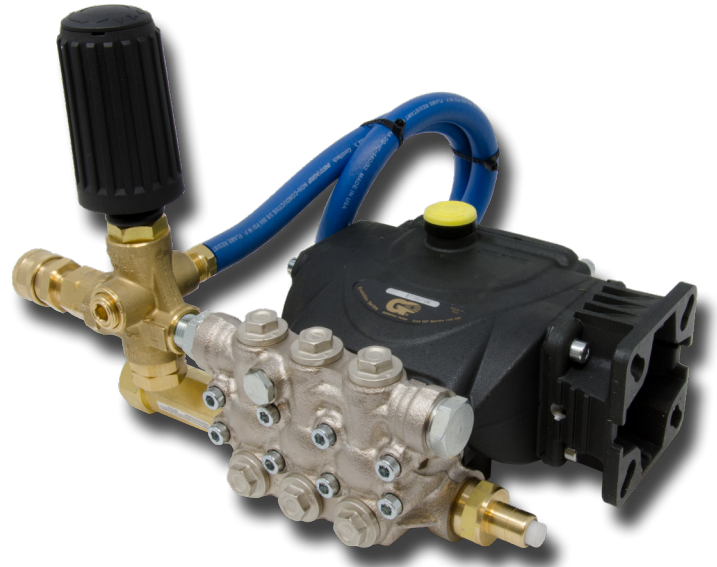
**GENERAL PUMP** *A member of the Interpump Group*

# Pumps Made Ready

## PMRET1507G6 Triplex Plunger Pump

### FEATURES

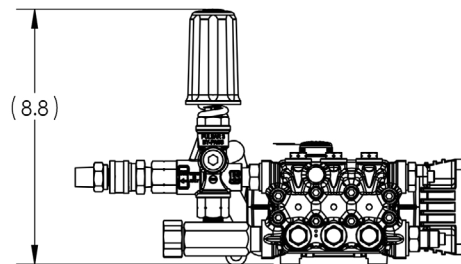
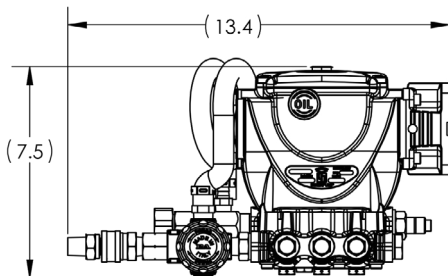
- Pump is ready to use right out of the box
- ET1507G6 Pump with SAE J609A Gas Flange
- PULSAR4KHPEZ Unloader, 4050 PSI, 10 GPM
- 3/8" Quick Coupler and 3/8" Plug Included
- 3/4" Garden Hose Inlet Fitting with 1/4" Side Port
- 3/8" Hose Barb and Clamp Keeps Hose Secure and Sealed



### SPECIFICATIONS

Pump Model	ET1507G6
Maximum Volume	3.2 GPM
Maximum Discharge Pressure	2610 PSI
Maximum Pump Speed	3400 RPM
Maximum Inlet Pressure	125 PSI
Maximum Inlet Vacuum	3 ft. water (2.6 in. Hg)
Plunger Bore	.591 in. / 15 mm
Plunger Stroke	.283 in. / 7.2 mm
Crankcase Oil Capacity	8.5 oz.
Maximum Fluid Temperature	165° F
Inlet Port Thread	1/2-14 BSP-F
Discharge Port Thread	3/8-19 BSP-F
Shaft Diameter	3/4 in. / 19.05 mm
Weight	11.0 lbs.
Dimensions	7.4" x 7.7" x 3.3"

### DIMENSIONAL DRAWING

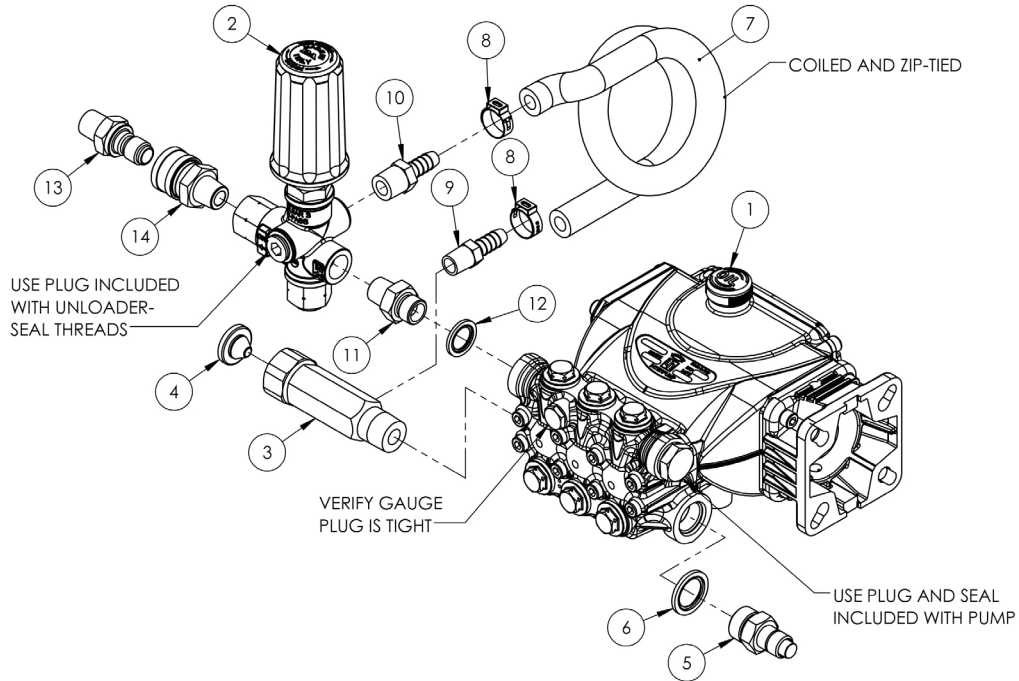


General Pump  
is a member of  
the Interpump Group



Ref 310125 Rev. A  
06-18





## PARTS LIST

Item No.	Part No.	Description	QTY.
1.	ET1507G6	Pump, EP, Gas Flange, 3/4" Hollow Shaft, 3.2 GPM 2610 PSI, 3400 RPM	1
2.	PULSAR4KHPEZ	Unloader, T.P., 4050 PSI, 10.5 GPM, EZ Start	1
3.	D10085	Inlet Fitting Assy, Long, 1/2" NPT-M x 3/4" GH, 1/4" Port	1
4.	700004	Filter Washer	1
5.	2100612MB	Valve, PTP, 1/2" BSPP-M 140-151 Deg, 145 PSI	1
6.	680110	Seal Ring, 1/2" BSPP	1
7.	639387	Hose, 3/8" ID, 250 PSI BLK	3
8.	639897	Hose Clamp, Crimp Type, 39/64" to 47/64", 9/32" WD	2
9.	638147	3/8" Hose Barb x 1/4" NPT	1
10.	638148	3/8" Hose Barb x 3/8" NPT	1
11.	639298	Adapter, Hex, 3/8" BSPP-M x 3/8" NPT, Steel, 5000 PSI	1
12.	680029	Washer, Face Seal, 3/8" BSP	1
13.	D11009	Plug, 3/8" QC x 3/8" NPT-M, Zinc Plated Steel, Hardened	1
14.	D10004	Coupler, 3/8" QC x 3/8" NPT-M, Brass	1
15.	400128	Warning Label, Prop 65, 1.5" x.25" WD	1