

GENERAL PUMP A member of the Interpump Group

ZZ lances are designed for hot or cold water systems and couple easily to trigger guns. The square, ventilated insulator is constructed of tough reinforced polymer mounted to a 1/4" zinc-plated steel pipe.

ZZDBL lances provide a convenient method of operating a downstream chemical injection system by turning the insulated adjustment handle. Designed for hot or cold water systems, ZZDBL lances couple easily to trigger guns and feature a round reinforced polymer insulator mounted to 1/4" zinc-plated steel pipe for comfort and durability.

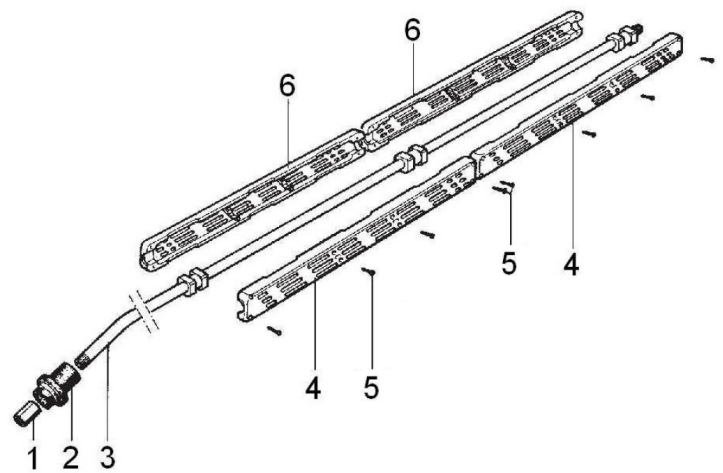


Part Numbers: ZZ07 - (28 in.) ZZ15 - (59 in.)
 ZZ09 - (36 in.) ZZ17 - (67 in.)
 ZZ12 - (48 in.) ZZ20 - (79 in.)

No.	Part Number	Description	Qty.
1.	94483400	Nipple, 1/4 BSP x 1/4 BSP	1
	94513000	Nipple, 1/4 BSP x 1/8 BSP	1
2.	18002751	Nozzle Cover	1
3.	18006602	Lance Tube, ZZ07, 28"	1
	18006702	Lance Tube, ZZ09, 36"	1
	18006802	Lance Tube, ZZ12, 48"	1
	18006902	Lance Tube, ZZ15, 59"	1
	18007002	Lance Tube, ZZ17, 67"	1
	18007102	Lance Tube, ZZ20, 79"	1
4.	18006451	Right Guard	1**
5.	99065400	Screw, Phillips	8**
6.	18006551	Left Guard	1**

** Double Quantity for Lances ZZ12, ZZ15, ZZ17, ZZ20

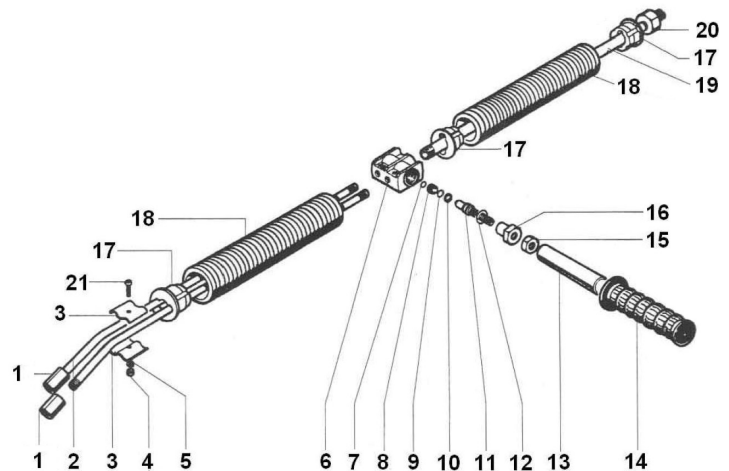
Maximum Volume		10.5 GPM
Maximum Pressure	ZZ Lance	3500 PSI
	ZZDBL Lance	3000 PSI
Maximum Temperature		284° F
Inlet Fitting		1/4-19 BSP-M
Nozzle Fitting		1/4-19 BSP-F



Part Numbers: ZZDBL - (36 in.) ZZDBL72 - (72 in.)

No.	Part Number	Description	Qty.
1.	94481200	Nipple, 1/8" BSP x 1/8" BSP	2
	94513000	Nipple, 1/4" BSP x 1/8" BSP	2
2.	18007289	Lance Tube, ZZDBL	2
	18011589	Lance Tube, ZZDBL72	2
3.	18008134	Plate	4
4.	92197500	Nut	2
5.	96688000	Washer	2
6.	10007141	Body	1**
7.	90357500	O-ring, .266 ID x .090 CS	1**
8.	10008566	Valve Seat	1**
9.	90357700	O-ring, .302 ID x .070 CS, Viton	1**
10.	90503300	Anti-extrusion Ring	1**
11.	10007366	Shutter	1**
12.	90383500	O-ring, .426 ID x .070 CS	1**
13.	10007961	Handle Bar	1**
14.	94557000	Handle	1**
15.	92237500	Nut	1
16.	10007270	Nipple	1
17.	18008251	Spacer	4
18.	18007951	Tube Cover	2
19.	18203389	Tube	1
21.	94483200	Inlet	1
21.	99156700	Screw, M5 x 16	2

** ZZDIS Repair Assembly



General Pump
is a member of
the Interpump Group

Ref 300115 Rev G
09-19

