

PARTS LIST

ITEM	PART NO.	DESCRIPTION	QTY	ITEM	PART NO.	DESCRIPTION	QTY	ITEM	PART NO.	DESCRIPTION	QTY
1.	58120741	Manifold, Ø 18	1	23.	90221000	Head Ring, Ø 18	3	44.	63021235	Crankshaft, 10mm	1
2.	36202551	Valve Cage	3	24.	58606401	Packing, Ø 18, HT	3		63021635	Crankshaft, 12mm	1
3.	94737600	Spring, Ø 9.4x14.8	3	25.	90360650	Anti-ext. Ring, Ø 18	3		63021835	Crankshaft, 13mm	1
4.	36200176	Valve	3	27.	90220000	Intermed. Ring, Ø 18	3	45.	91833100	Bearing, Premium	2
5.	36200366	Valve Seat	3	28.	58211270	Support Ring, Ø 18	3	46.	90389800	O-ring, Ø 56.82x2.62	1
6.	701115	O-ring, Ø17.13v2.62	3	29.	98209900	Plug, G3/8"x13	1	47.	90164100	Oil Seal, Ø 25x62x10	1
7.	36726201	Valve Assembly	3	30.	96738000	Gasket, 17.5x23x1.5	1	48.	91489200	Oil Dipstick	1
8.	90384750	O-ring, Ø20.24x2.62	3	31.	98217900	Plug, 1/2" BSPx10	1	49.	98210500	O-ring, Ø 113.97x2.62	1
9.	98222500	Valve Cap, M24x1.5x16.7	3	32.	96751400	Gasket, Ø 21.5x27x1.5	1	50.	90392550	O-ring, Ø 113.97x2.62	1
10.	99169000	Plunger Bolt, M5x55	3	33.	96699000	Washer, Ø 7.5x15x0.5	3	51.	58160022	Rear Cover	1
11.	96690500	Washer, Ø 5x11.5x0.4	3	34.	58210582	Gasket, Ø 3x94	1	52.	98204250	Plug, 1/4"x9	1
12.	58040209	Plunger, Ø 18x42	3	35.	58010022	Crankcase	1	53.	701013	O-ring, Ø 10.82x1.78	1
13.	90367450	O-ring, Ø 12.42x1.78	3	36.	58210451	Drip Cover	1	54.	90385900	O-ring, Ø 25.07x2.62	1
14.	36211366	Outlet Valve Seat	3	37.	90156550	Oil Seal, Ø 15x24x5.7	3	55.	90067100	Stop Ring	1
15.	36211276	Outlet Valve Poppet	3	38.	58050066	Piston Guide	3	56.	58150122	Side Cover	1
16.	94733300	Spring, Ø 6.2x10.4	3	39.	97734000	Piston Pin, Ø 10x29.5	3	57.	99303700	Screw, M8x16	4
17.	36211151	Outlet Valve Cage Guide	3	40.	58030022	Connecting Rod	3	58.	96701600	Washer, Ø 8.4	4
18.	36729801	Complete Outlet Valve	3	41.	90063500	Stop Ring Ø 25	1	59.	50200074	Pump Foot	2
19.	98196700	Plug	3	42.	99183700	Screw, M6x14	8				
20.	701016	O-ring, Ø 15.6x1.78	3	43.	53210851	Oil Level Indicator	1				
21.	98213750	Outlet Valve Cap, M18x1.5x10	3								
22.	99317500	Screw, M8x60	8								

REPAIR KITS

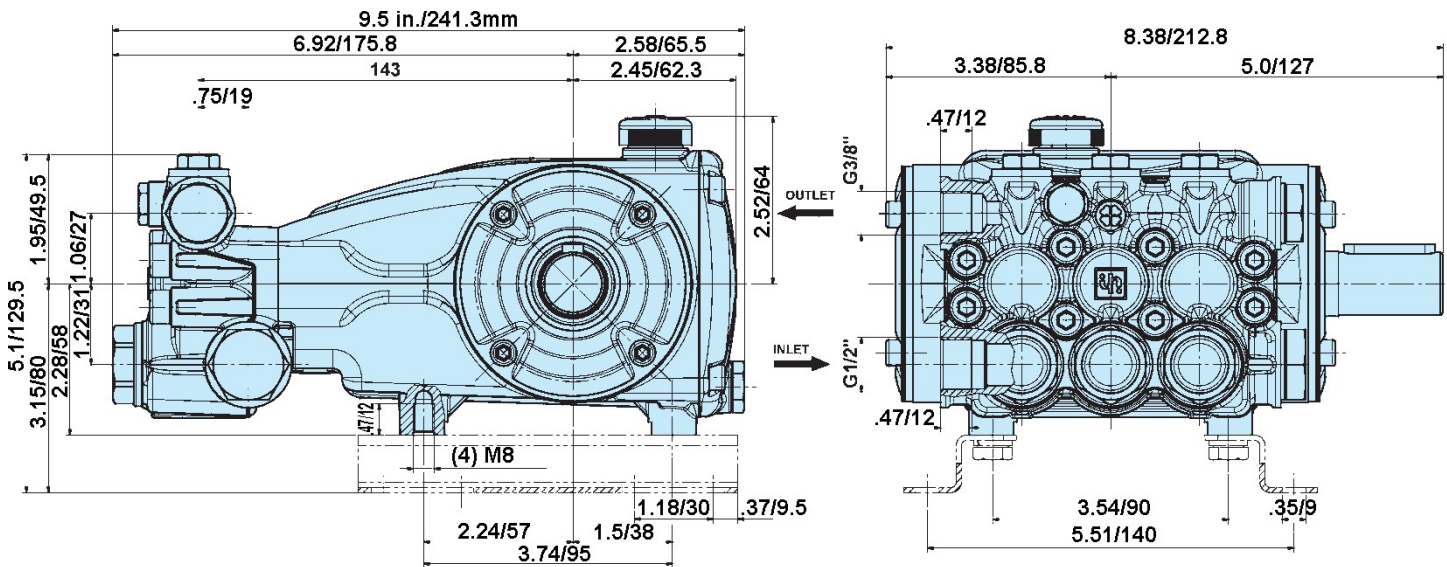
KIT NO.	K415	K418	K271	K416	K417
ITEM NO'S INCLUDED IN KIT	2, 3, 4, 5, 6, 13, 14, 15, 16, 17, (7), (18)	8, 9, 20, 21	37	23, 25, 27	23, 24, 25, 27, 28
NUMBER OF ASSY'S IN KIT	6	6	3	3	1
NO. OF CYLINDERS KIT SERVICES	3	3	3	3	1

TORQUE SPECS*

Position	Ft.-Lbs.	Nm.
9	96	130
10	4.5	6
19**	9.6	13
22	14.8	20
29**	30	40
31	30	40
42	7.4	10
52	14.8	20

*Decrease torque by 20% if threads are lubricated.
 **Use Loctite 542 Red
 1 Note: Seal tool included

DIMENSIONS



WARNING: High Pressure Systems require a primary pressure regulating device (i.e. regulator, unloader) and a secondary pressure relief device (i.e. pop-off valve, relief valve). Failure to install such relief devices properly could result in personal injury or damage to pump or property. GP does not assume any liability or responsibility for the operation of the user's high pressure system.

 **WARNING:** This product can expose you to chemicals including lead, which is known to the state of California to cause cancer and birth defects or other reproductive harm. For more information, go to www.P65Warnings.ca.gov

