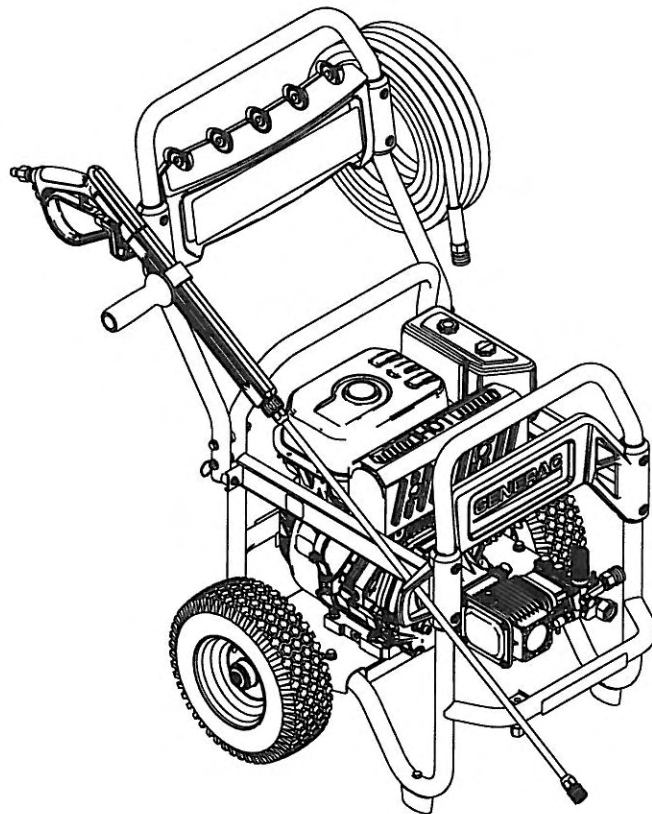




# Operator's Manual

## Power Washer



## Table of Contents

<b>Introduction</b> .....	<b>1</b>	<b>Maintenance</b> .....	<b>14</b>
<b>Safety Rules</b> .....	<b>1</b>	Maintenance Recommendations.....	14
Safety Symbols and Meanings .....	1	Maintenance Schedule .....	14
<b>General Information</b> .....	<b>4</b>	Emissions Control.....	14
Know Your Power Washer .....	4	Power Washer Maintenance .....	14
Product Specifications .....	5	Check and Clean Inlet Screen.....	14
Unpacking.....	5	Check High Pressure Hoses .....	14
<b>Set-up</b> .....	<b>5</b>	Check Detergent Siphoning Tube .....	14
Assembly.....	5	Check Spray Gun .....	15
Add Engine Oil .....	6	Nozzle Maintenance .....	15
Check Pump Oil .....	6	Pump Oil Maintenance .....	15
Add Fuel .....	7	Engine Maintenance .....	15
Connect Hose and Water Supply to Pump .....	7	Engine Oil Recommendations.....	16
How to Use Nozzles.....	9	Checking Oil Level.....	16
Cleaning and Applying Detergent .....	10	Adding Engine Oil.....	16
Power Washer Rinsing .....	10	Changing Engine Oil .....	16
Cleaning Detergent Siphoning Tube.....	10	Service Air Cleaner .....	17
<b>Operation</b> .....	<b>11</b>	Service Spark Plug.....	17
Operation .....	11	Inspect Muffler and Spark Arrestor .....	17
Power Washer Location .....	11	After Each Use.....	17
Checklist Before Starting Engine.....	11	Winter Storage .....	18
How to Start Your Power Washer .....	11	Long Term Storage.....	18
Automatic Cool Down System (Thermal Relief) .....	13	Protect Fuel System .....	18
Adjustable Pressure Setting.....	13	Change Oil .....	18
How to Stop Your Power Washer.....	13	Protecting the Pump.....	18
		Other Storage Instructions.....	18
		<b>Troubleshooting</b> .....	<b>19</b>
		Troubleshooting Guide.....	19
		<b>Warranty</b> .....	<b>20</b>
		<b>MANUAL DEL PROPIETARIO</b> .....	<b>23</b>
		<b>MANUEL DE L'OPÉRATEUR</b> .....	<b>47</b>

## INTRODUCTION

Thank you for purchasing this power washer manufactured by Generac Power Systems, Inc. This model is a high performance, air-cooled, engine-driven power washer that operates between 3000 and 4000 psi depending on which model you purchased. These units feature powerful Generac engines, a triplex pump with ceramic coated pistons, a pressure control valve, an automatic thermal relief system, a professional grade spray gun with vibration isolation for reduced fatigue, a stainless steel lance, quick connect nozzles, steel reinforced high pressure rubber hose for long life and maximum flexibility and a detergent siphoning hose.

**Common sense and strict compliance with the special instructions are essential to preventing accidents.** The operator must read this manual and thoroughly understand all of the instructions and warnings before using the equipment. If any portion of the manual is not understood, contact the nearest Authorized Dealer for starting, operating and servicing procedures. The owner is responsible for proper and safe use of the equipment.

The power washer can operate safely, efficiently and reliably only if it is properly located, operated and maintained. Before operating, servicing or storing:

- Study all warnings in this manual and on the product carefully.
- Become familiar with this manual and the unit before use.
- Refer to the Assembly section of the manual for instructions on final assembly procedures. Follow the instructions completely.

The manufacturer cannot anticipate every possible circumstance that might involve a hazard. The warnings in this manual, and on tags and decals affixed to the unit are, therefore, not all inclusive. If using a procedure, work method or operating technique that the manufacturer does not specifically recommend, ensure that it is safe for others. Also make sure the procedure, work method or operating technique utilized does not render the power washer unsafe.

THE INFORMATION CONTAINED HEREIN WAS BASED ON MACHINES IN PRODUCTION AT THE TIME OF PUBLICATION. GENERAC RESERVES THE RIGHT TO MODIFY THIS MANUAL AT ANY TIME.

**Save these instructions for future reference. If you loan this device to someone, ALWAYS loan ALL instructional materials to the individual as well.**

## WHERE TO FIND US

You can contact Generac Customer Service by phone at 1-888-436-3722, or on the internet at [www.generac.com](http://www.generac.com). Record the important information of the unit in the following chart for future reference and/or service inquiries.

<b>Model Number</b>	
<b>Serial Number</b>	
<b>Date Purchased</b>	

## SAFETY RULES

Throughout this publication, and on tags and decals affixed to the generator, DANGER, WARNING, CAUTION and NOTE blocks are used to alert personnel to special instructions about a particular operation that may be hazardous if performed incorrectly or carelessly. Observe them carefully. Their definitions are as follows:

### **⚠ DANGER!**

Indicates a hazardous situation or action which, if not avoided, will result in death or serious injury.

### **⚠ WARNING!**

Indicates a hazardous situation or action which, if not avoided, could result in death or serious injury.

### **⚠ CAUTION!**

Indicates a hazardous situation or action which, if not avoided, could result in minor or moderate injury.

### **NOTE:**

**Notes contain additional information important to a procedure and will be found within the regular text body of this manual.**

These safety warnings cannot eliminate the hazards that they indicate. Common sense and strict compliance with the special instructions while performing the action or service are essential to preventing accidents.

## SAFETY SYMBOLS AND MEANINGS



Toxic Fumes



Kickback



Electrical Shock



Slippery Surface



Fall



Fluid Injection



Fire



Explosion



Operator's Manual



Moving Parts



Flying Objects



Hot Surface

## General Information

### KNOW YOUR POWER WASHER

Read this owner's manual and safety rules before operating your high power washer.

If you loan this device to someone, ALWAYS loan ALL instructional documentation to the individual as well. Compare the illustrations with your high power washer to familiarize yourself with the locations of various controls (Figure 1). Save this manual for future reference. Replacement owner's manuals can be printed from the Generac Web site.

- A - Spray Gun** – Controls the application of water onto the cleaning surface with trigger device. Includes a trigger lock.
- B - Lance with Quick Connect** – Allows you to switch between four different nozzles.
- C - High Pressure Hose** – Connect one end to water pump and the other to the spray gun.
- D - Recoil Starter** – Use for starting the engine.
- E - Oil Fill** – Check and add engine oil here.
- F - Air Filter** – Protects engine by filtering dust, and debris out of the intake air.
- G - Pump** – Develops high pressure.
- H - Thermal Relief Valve** – Cycle's water through the pump when water reaches 125°F. Warm water will discharge from pump onto ground. This prevents internal pump damage.
- I - Engine On/Off Switch** – Run this switch to "ON" before using the recoil starter. Turn the switch to "OFF" to stop the engine.
- J - Pressure Control/Unloader Valve** – Controls the high pressure output.

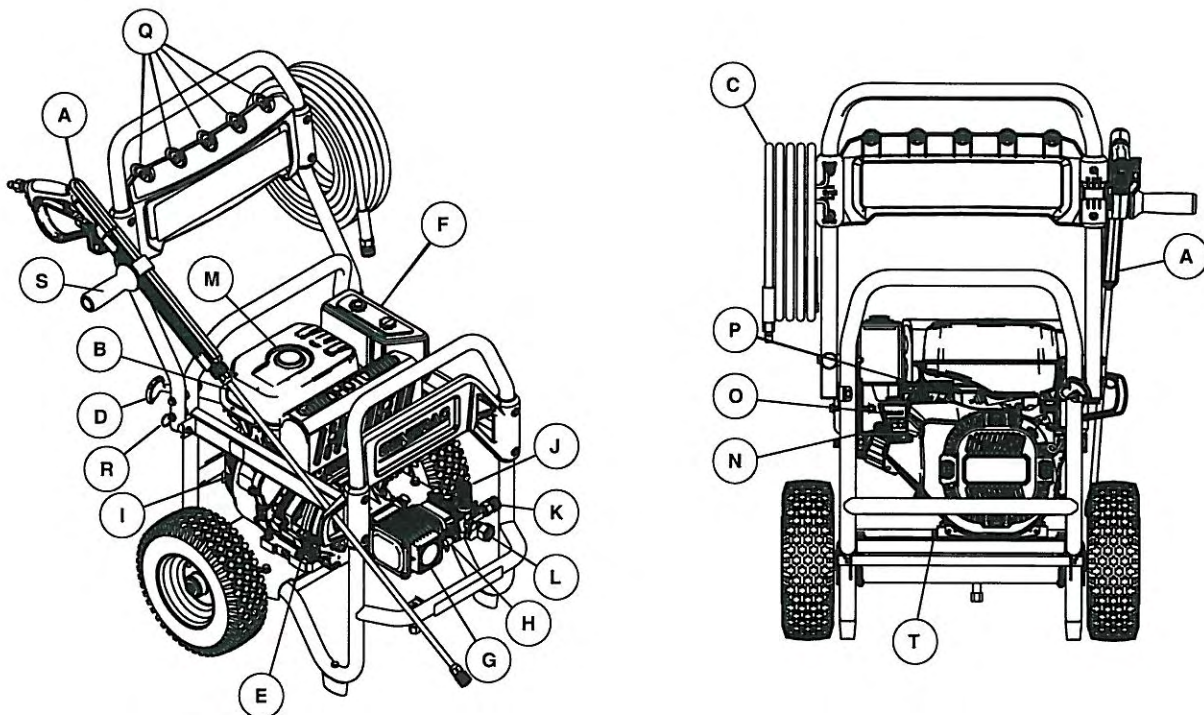
- K - High Pressure Outlet** – Connection for high pressure hose.
- L - Water Inlet** – Connection for Garden Hose.
- M - Fuel Tank** – Fill tank with regular unleaded fuel. Always leave room for fuel expansion.
- N - Fuel On/Off Switch** – Turns fuel supply to the engine on and off.
- O - Choke** – Prepares a cold engine for starting.
- P - Throttle Lever** – Increases or decreases engine speed. Throttle should be at maximum travel when the pressure washer is in use.
- Q - Nozzles** – Chemical injection, 0°, 15°, 25°, 40° (white, yellow, red and black) for various high pressure cleaning applications.
- R - Pull Pin** – Pull the ring to unlock the handle. This allows the handle to be collapsed for storage.
- S - Adjustable Side Handle** – Adjustable by turning counter clockwise to loosen, adjust to comfortable position and tighten clock-wise. This allows for a firm operating grip of the spray gun.
- T - Oil Drain** – Drain engine oil here.

### ITEMS NOT SHOWN

**Identification Label (near rear of base plate)** – Provides model and serial number of pressure washer. Please have these readily available if calling for assistance.

**Detergent Siphoning Tube/Filter** – Use to siphon pressure washer safe detergents into the low pressure stream.

Figure 1 – Features & Controls



## PRODUCT SPECIFICATIONS

Pressure - (PSI / BAR)	3000 / 207	3300 / 228	4000 / 276
Flow Rate - (GPM / LPM)	2.8 / 10.6	3.2 / 12.1	4.0 / 15.1
Water Supply Temperature - (°F / C°)	100 / 38 Max		
Hose Length - (Feet / Meters)	35 / 10.7		50 / 15.2
Nozzles - Number per Unit	5		
Lance Length (Inches / cm)	20 / 51	33 / 84	33 / 84
Gun	Professional		
Engine Displacement - (Cubic Inch / cc)	12.9 / 212	18.4 / 302	25.6 / 420
Spark Plug Type	F7RTC or equivalent		
Spark Plug Gap - (Inches / mm)	0.028-0.031 / 0.70-0.80		
Fuel Capacity - (Quarts / Liters)	3.2 / 3.0	4.9 / 4.63	6.3 / 6.0
Engine Oil Capacity - (Oz / Liters)	20 / 0.6	37 / 1.1	37 / 1.1
Low Oil Shut Down System	Yes		
On / Off Switch	Yes		

## UNPACKING

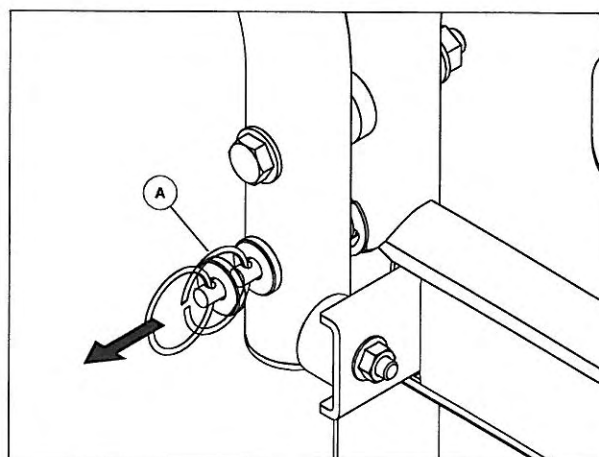
1. Remove the parts bag, accessories, and inserts included with power washer.
2. Open carton completely by cutting each corner from top to bottom.
3. Ensure you have all included items prior to assembly.
  - Main Unit
  - High Pressure Hose
  - Siphon Hose & Filter
  - Spray Gun
  - Lance with Quick Connect Fitting
  - Oil Bottle
  - Parts Bag (which includes the following):
    - ~ Hose Hook Wireform with Screws and Allen Wrench
    - ~ Operator's Manual
    - ~ Owner's Registration Card
    - ~ Bag containing Color-coded Nozzles
    - ~ Filter Screen
4. If you are missing any items from your carton, please call Generac Customer Service at 1-888-436-3722. When calling for assistance, please have the model and serial number from the data tag available.
5. Fill out and send in registration card. Write Model number, Serial number & date of purchase in the table located in the "Where to Find Us" section.

## ASSEMBLY

Read the entire operator's manual before you attempt to assemble, or if you have any problems with the assembly of your power washer, please call Generac Customer Service at 1-888-436-3722. When calling for assistance, please have the model and serial number from the data tag available.

1. The handle may be folded down or locked into position using the integrated pull pin.

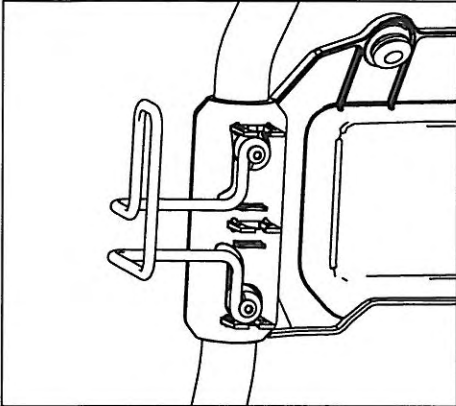
**Figure 2 – Attach Handle**



## Set-up

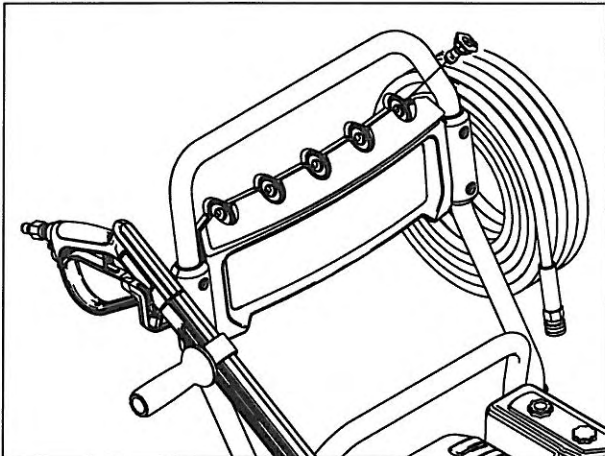
2. Install hose hook using provided screws and allen wrench (Figure 3).

**Figure 3 – Install Hose Hook**



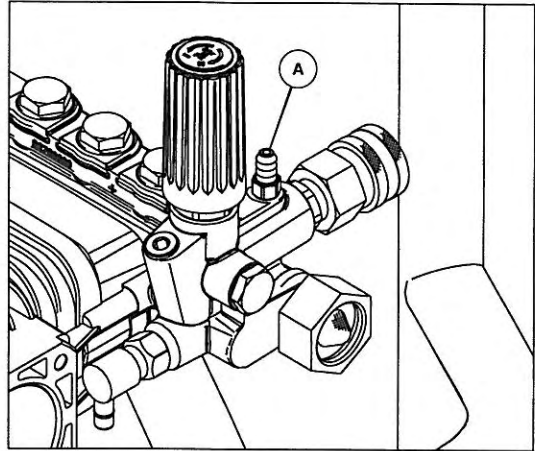
3. Insert color-coded nozzles in spaces provided in handle (Figure 4).
4. Place spray gun and nozzle extension into spray gun holder as shown (Figure 4).

**Figure 4 – Insert Nozzles**



5. Coil high pressure hose and hang on hook.
6. Attach siphon tube to location A (Figure 5).

**Figure 5 – Siphon Tube Location**



### ADD ENGINE OIL

1. Place power washer on a flat, level surface.
2. Clean area around oil fill and remove orange oil fill cap/dipstick.
3. Using oil funnel (optional), slowly pour contents of provided oil bottle into oil fill opening. See Maintenance section for oil type recommendation.

**NOTE:**

On some units there is more than one oil fill location. In these instances it is only necessary to use one of the oil fill points.

4. Check periodically until the FULL mark is reached. DO NOT OVERFILL.

**NOTE:**

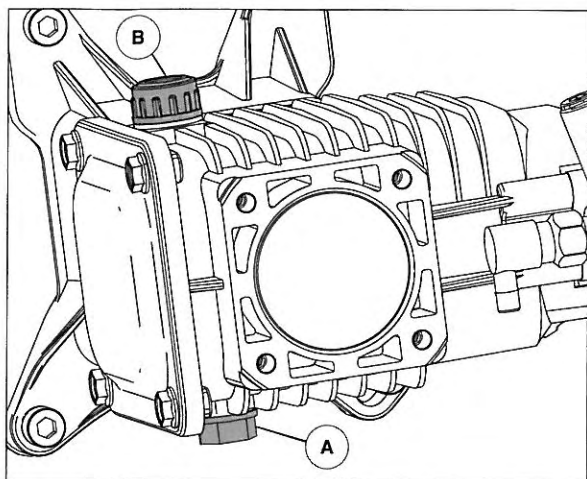
Any attempt to crank or start the engine before it has been properly serviced with the recommend oil may result in engine failure.

5. Replace oil fill cap/dipstick and fully tighten.

### CHECK PUMP OIL

1. Place power washer on a flat, level surface.
2. Clean area around oil fill and remove vented cap/dipstick (B) (Figure 6).
3. Check to confirm oil level is up to the "Full" mark on the dipstick. If oil is required, see Maintenance section. DO NOT OVERFILL.
4. See the Maintenance section for additional information on pump oil maintenance.
5. Replace oil fill cap/dipstick and fully tighten.

Figure 6 – Check Pump Oil



## ADD FUEL

Fuel must meet these requirements:

- Clean, fresh, unleaded gasoline.
- A minimum of 87 octane/87 AKI (91 RON).
- Gasoline with up to 10% ethanol (gasohol) is acceptable.

### NOTE:

**Avoid power washer damage. Failure to follow Operator's Manual for fuel recommendations voids warranty.**

- DO NOT use unapproved gasoline such as E85.
- DO NOT mix oil in gasoline.
- DO NOT modify engine to run on alternate fuels.

To protect the fuel system from gelling, mix in a fuel stabilizer when adding fuel. See Storage. All fuel is not the same. If you experience starting or performance problems after using fuel, switch to a different fuel provider or change brands.

### **⚠ WARNING!**



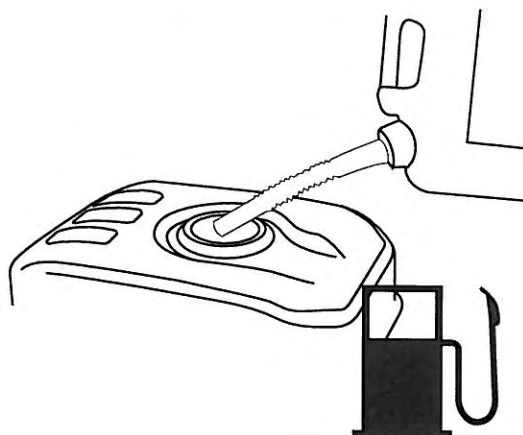
**Fuel and its vapors are extremely flammable and explosive. Fire or explosion can cause severe burns or death.**

## WHEN ADDING FUEL

- Turn power washer OFF and let it cool at least two (2) minutes before removing fuel cap. Loosen cap slowly to relieve pressure in tank.
  - Fill fuel tank outdoors.
  - DO NOT overfill tank. Allow space for fuel expansion.
  - If fuel spills, wait until it evaporates before starting engine.
  - Keep fuel away from sparks, open flames, pilot lights, heat, and other ignition sources.
  - DO NOT light a cigarette or smoke.
1. Clean area around fuel fill cap, remove cap.
  2. Slowly add regular unleaded fuel to fuel tank. Be careful not to overfill. Fill to bottom of filter screen, this will allow for fuel expansion (Figure 7).

3. Install fuel cap and let any spilled fuel evaporate before starting engine.

Figure 7 – Adding Fuel



## CONNECT HOSE AND WATER SUPPLY TO PUMP

### NOTE:

**DO NOT run the pump without the water supply connected and turned on. Damage to equipment resulting from failure to follow this instruction will void warranty.**

### NOTE:

**Remove and discard the shipping cap from the pump's water inlet before attaching hose.**

1. Run water through your garden hose for 30 seconds to clean out any debris.
2. Before connecting garden hose to water inlet, inspect inlet screen before installing (A) (Figure 8). The cone should face outward. Clean screen if it contains debris or have it replaced if damaged. DO NOT run power washer if inlet screen is damaged.

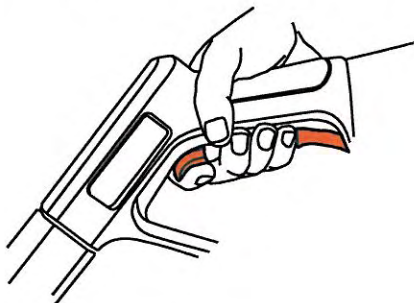
**IMPORTANT:** DO NOT siphon standing water for the water supply. Use ONLY cold water (less than 100°F). Water supply must be adequate to handle greater than 3.8 gallons per minute and no less than 30 psi.

### NOTE:

**Using a One Way Valve (vacuum breaker or check valve) at pump inlet can cause pump or inlet connector damage.**

- There MUST be at least ten feet of unrestricted garden hose between the power washer inlet and any device, such as a vacuum breaker or check valve.
- Damage to equipment resulting from failure to follow this instruction will void warranty.

Figure 13 – Squeeze Trigger




## HOW TO USE NOZZLES

The quick-connect on the nozzle lance allows you to switch between different nozzles. Nozzles can be changed while the power washer is running, once the spray gun trigger is locked in the safety position. The nozzles vary the pressure and spray pattern as shown.

- For the most effective cleaning, keep the nozzle from 8 to 24 inches (20 to 61 cm) away from the surface being cleaned.
- If you get the nozzle too close, especially using a high pressure nozzle, you may damage the surface being cleaned.

### ⚠ DANGER!

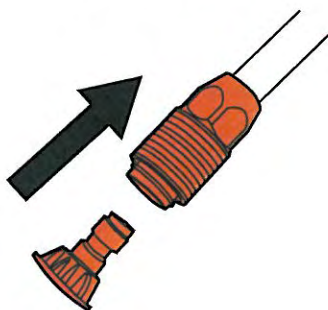
 The high pressure stream of water that this equipment produces can cut through skin and its underlying tissues, leading to serious injury, possible amputation or death. Spray gun traps high water pressure, even when engine is stopped and water is disconnected, which can cause injury.

- NEVER exchange nozzles without the trigger lock being engaged on the spray gun.
- DO NOT twist nozzles while spraying.

Follow these instructions to change nozzles:

1. Pull back the collar on the quick-connect and pull the current nozzle off. Store nozzles in the accessory storage holder (Figure 14).

Figure 14 – Nozzles



2. Select desired nozzle:
3. Pull back on the collar, insert the new nozzle and release the collar. Tug on the nozzle to make sure it is securely in place.

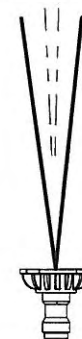
- The WHITE NOZZLE is used for delicate rinse (lower pressure and higher flow), for gentle cleaning of cars/trucks, boats, RV's, patio furniture, lawn equipment, etc. (Figure 15).

Figure 15 – Low Pressure Nozzle (White)



- The YELLOW NOZZLE is for general rinsing (medium pressure and medium flow), ideal for most all purpose cleaning such as home siding, brick patios, wood decks, driveways and sidewalks, garage floors, etc. (Figure 16).

Figure 16 – Medium Pressure Nozzle (Yellow)



- The RED NOZZLE is for maximum rinsing (higher pressure and lower flow); for stubborn or hard to reach surface such as second story surfaces, paint removal, oil stains, rust removal or other stubborn substances (tar, gum, grease, wax, etc.) (Figure 17).

### ⚠ CAUTION!


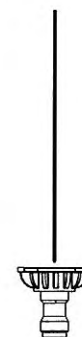
 This tip (Red Nozzle) can damage work surfaces if it is too close, or held in one position for an extended time.


Figure 17 – Maximum Pressure Nozzle (Red)





**IMPORTANT:** Spray gun traps high water pressure, even when the engine is stopped and water is disconnected.

## ⚠ DANGER!

 The high pressure stream of water that this equipment produces can cut through skin and its underlying tissues, leading to serious injury, possible amputation or death. Spray gun traps high water pressure, even when engine is stopped and water is disconnected, which can cause injury.

- Keep the high pressure hose connected to the pump and spray gun while the system is pressurized.
- ALWAYS point the spray gun in a safe direction, and squeeze the spray gun trigger to release high pressure every time you stop the engine. Engage the trigger lock when not in use.


## OPERATION

If you have any problems operating your power washer, please call Generac customer service at 1-888-436-3722.

## POWER WASHER LOCATION

### Clearances and Air Movement

## ⚠ DANGER!

 **DANGER:** Carbon monoxide produced during use CAN KILL in minutes. NEVER use indoors or in other sheltered areas, EVEN IF doors and windows are open. Only use OUTSIDE and far away from windows, doors and vents.


### NOTE:

For more information, reference the Carbon Monoxide warnings in the Safety Rules section.

Place the power washer outdoors, in an area that will not accumulate deadly exhaust gas. NEVER place the power washer where exhaust gas could accumulate and enter inside, or be drawn into a potentially occupied building. Ensure the exhaust gas is kept away from any windows, doors, ventilation intakes, or other openings that can allow the exhaust gas to collect in a confined area. Prevailing winds and air currents should be taken into consideration when positioning the power washer (Figure 19).

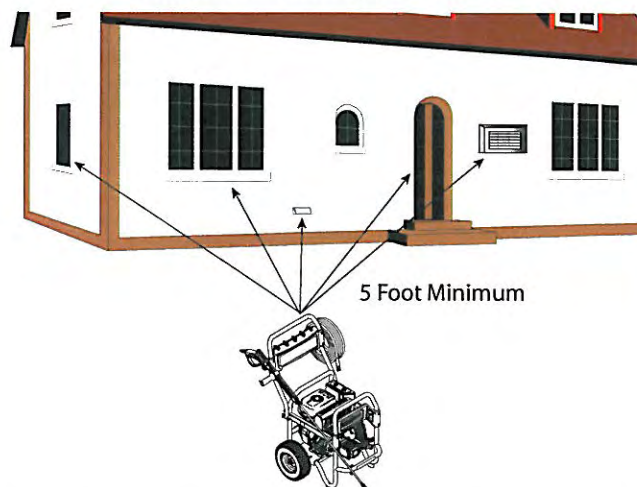
- Operate the power washer outdoors ONLY.
- Keep the exhaust gas from entering a confined area through windows, doors, ventilation intakes, or other openings.
- NEVER start or run the engine indoors, or in an enclosed area, EVEN IF windows and doors are open.

## ⚠ WARNING!

 Exhaust heat/gases can ignite combustibles, structures or damage the fuel tank causing a fire.

- Keep at least 5 ft. (152 cm) clearance on all sides of the power washer including overhead.

Figure 19 – Building Clearances



## CHECKLIST BEFORE STARTING ENGINE

1. Be sure to read and understand the Operator Safety section and the Operation section before using the power washer.
2. Check that oil is at the proper level in the engine crankcase and that fuel has been added to the fuel tank.
3. Review the unit's assembly and ensure the fittings are properly secured. Also make sure there are no kinks, cuts, or damage to high pressure hose.
4. Provide a proper water supply at an adequate flow, clear screens of debris, and confirm that the system is purged of air.
5. Confirm that the unit is on secure, level ground and the surrounding work area is clear.

## HOW TO START YOUR POWER WASHER

### NOTE:

**DO NOT** run the pump without the water supply connected and turned on. Damage to the equipment resulting from failure to follow these instructions will void warranty.

1. Move the fuel valve lever to the ON position (Figure 20).

Figure 20 – Fuel Valve

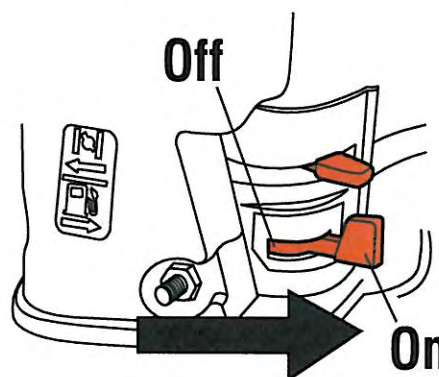
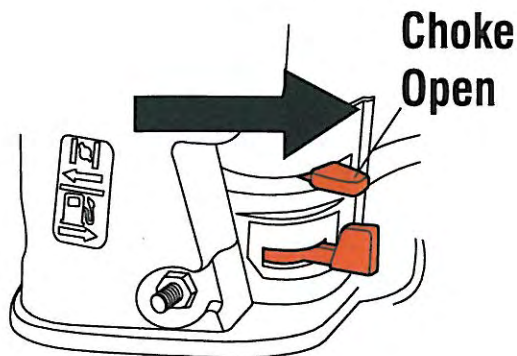



Figure 25 – Choke Lever





9. After each starting attempt, where the engine fails to run, always point the gun in a safe direction, and squeeze the spray gun trigger to release high pressure.
10. If the engine fails to start after six pulls, move the choke lever to the "OPEN" position, and repeat steps 6 through 10.

### **▲ DANGER!**

 The high pressure stream of water that this equipment produces can cut through skin and its underlying tissues, leading to serious injury, possible amputation or death. Spray gun traps high water pressure, even when engine is stopped and water is disconnected, which can cause injury.

- DO NOT allow CHILDREN to operate the power washer or play nearby.
- Keep the high pressure hose connected to the pump and spray gun while the system is pressurized.
- NEVER aim the spray gun at people, animals or electrical devices. Serious injury will result.
- DO NOT secure the spray gun in the open position.
- DO NOT leave the spray gun unattended while the machine is running.
- NEVER use a spray gun which does not have a trigger lock or trigger guard in place and in working order.
- Always be certain the spray gun, nozzles and accessories are correctly attached.

### **▲ WARNING!**

  Contact with the muffler area can result in serious burns. Exhaust heat/gases can ignite combustibles, structures or damage the fuel tank causing a fire.

- DO NOT touch hot parts and AVOID hot exhaust gases.
- Allow the equipment to cool before touching.
- Keep at least five (5) feet (152 cm) of clearance on all sides of the power washer including overhead.
- It is a violation of California Public Resource Code, Section 4442, to use or operate the engine on any forest-covered, brush-covered, or grass-covered land unless the exhaust system is equipped with a spark arrester, as defined in Section 4442, maintained in effective working order. Other states or federal jurisdictions may have similar laws.
- Replacement parts must be the same and installed in the same position as the original parts.

## AUTOMATIC COOL DOWN SYSTEM (THERMAL RELIEF)

If you run the engine on your power washer for 3-5 minutes without pressing the trigger on the spray gun, circulating water in the pump can reach temperatures above 125°F. The system engages to cool the pump by **discharging the warm water onto the ground.**

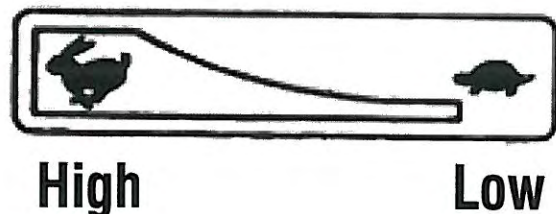
## ADJUSTABLE PRESSURE SETTING

Your pressure washer pump is equipped with a feature that allows you to adjust the pressure setting. The pump is preset at the factory to achieve the highest possible pressure. To decrease the pressure, turn the pressure control knob counterclockwise to the desired pressure. Turning the pressure control knob clockwise until it stops will set the pressure back to the factory setting.

## HOW TO STOP YOUR POWER WASHER

1. Release the spray gun trigger.
2. Move the throttle control lever on the engine to the "LOW" (turtle) position (Figure 26).


Figure 26 – Throttle Position



3. Turn the engine ON/OFF switch to the "OFF" position.
4. ALWAYS point the spray gun in a safe direction, and the squeeze spray gun trigger to release retained high water pressure. Engage the trigger lock when not in use.
5. Turn OFF the water supply.

**IMPORTANT:** The spray gun traps high water pressure, even when the engine is stopped and the water is disconnected.

### **▲ DANGER!**

 The high pressure stream of water that this equipment produces can cut through skin and its underlying tissues, leading to serious injury, possible amputation or death. Spray gun traps high water pressure, even when engine is stopped and water is disconnected, which can cause injury.

- Keep the high pressure hose connected to the pump and spray gun while the system is pressurized.
- ALWAYS point the spray gun in a safe direction, squeeze the spray gun trigger to release high pressure every time you stop the engine. Engage the trigger lock when not in use.

# Maintenance

## MAINTENANCE RECOMMENDATIONS

Regular maintenance will improve the performance and extend the life of the power washer. See any qualified dealer for service.

The power washer's warranty does not cover items that have been subjected to operator abuse or negligence. To receive full value from the warranty, the operator must maintain the power washer as instructed in this manual, including proper storage as detailed in Winter Storage and Long Term Storage.

### NOTE:

**Should you have questions about replacing components on your power washer, please call 1-888-436-3722 for assistance.**

Some adjustments will need to be made periodically to properly maintain your power washer.

All service and adjustments should be made at least once each season. Follow the requirements in the Maintenance Schedule chart.

### NOTE:

**Once a year you should clean or replace the spark plug, clean or replace the air filter, and check the spray gun and nozzle extension assembly for wear. A new spark plug and clean air filter assure proper fuel-air mixture and help your engine run better and last longer.**

## MAINTENANCE SCHEDULE

Follow the hourly or calendar intervals, whichever occurs first. More frequent service is required when operating in adverse conditions.

First 5 Hours
Change engine oil
Every 8 Hours or Daily
Check/clean water inlet screen*
Check high pressure hose
Check detergent siphoning hose/filter
Check spray gun and assembly for leaks
Clean debris
Check engine oil level
Check pump oil level
Every 50 Hours or Every Season
Check/clean air cleaner filter**
Change pump oil**
Change engine oil**
Inspect muffler and spark arrester
Every 100 Hours or Every Season
Service spark plug
* Clean if clogged. Replace if perforated or torn.
** Service more often under dirty or dusty conditions.

## EMISSIONS CONTROL

**Maintenance, replacement, or repair of the emissions control devices and systems may be performed by any non-road engine repair establishment or individual.** However, to obtain "no charge" emissions control service, the work must be performed by a factory authorized dealer. See the Emissions Warranty.

## POWER WASHER MAINTENANCE

### Clean Debris

Daily or before use, clean accumulated debris from the cleaning system. Keep the linkage, spring and controls clean. Keep the area around and behind the muffler free from any combustible debris. Inspect the cooling air slots and openings on the power washer. These openings must be kept clean and unobstructed.

Power washer parts should be kept clean to reduce the risk of overheating and ignition of accumulated debris.

- Use a damp cloth to wipe exterior surfaces clean.

### NOTE:

**Improper treatment of the power washer can damage it and shorten its life.**

- DO NOT insert any objects through the cooling slots.
- Use a soft bristle brush to loosen caked on dirt, oil, etc.
- Use a vacuum cleaner to pick up loose dirt and debris.

## CHECK AND CLEAN INLET SCREEN

Examine the screen on the pump's water inlet. Clean the screen if it is clogged, or replace the screen if damaged.

## CHECK HIGH PRESSURE HOSES

The high pressure hoses can develop leaks from wear, kinking, or abuse. Inspect the hoses each time before using them. Check for cuts, leaks, abrasions or bulging of cover, damage or movement of couplings. If any of these conditions exist, replace the hose immediately.

### **⚠ DANGER!**



**The high pressure stream of water that this equipment produces can cut through skin and its underlying tissues, leading to serious injury, possible amputation or death. Spray gun traps high water pressure, even when engine is stopped and water is disconnected, which can cause injury.**

- NEVER repair high pressure hose. Replace it.
- Replacement hose rating MUST meet or exceed maximum pressure rating of unit.

## CHECK DETERGENT SIPHONING TUBE

Examine the filter on the detergent tube and clean it if clogged. The tube should fit tightly on the barbed fitting. Examine the tube for leaks or tears. Replace the filter or tube if either is damaged.

## CHECK SPRAY GUN

Examine the hose connection to the spray gun and make sure it is secure. Test the trigger by pressing the trigger, it "springs back" into place when you release it. Replace the spray gun immediately if it fails to "spring back".

## NOZZLE MAINTENANCE

A pulsing sensation felt while squeezing the spray gun trigger may be caused by excessive pump pressure. The principal cause of excessive pump pressure is a nozzle clogged or restricted with foreign materials, such as dirt, etc. To correct the problem, immediately clean the nozzle following these instructions:

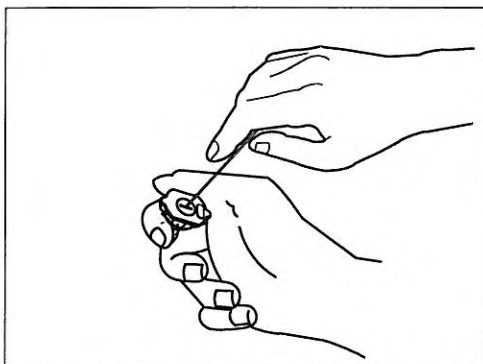
1. Shut off the engine and turn off the water supply.
2. ALWAYS point the spray gun in a safe direction, squeeze the spray gun trigger to release retained high water pressure.

### **⚠ DANGER!**

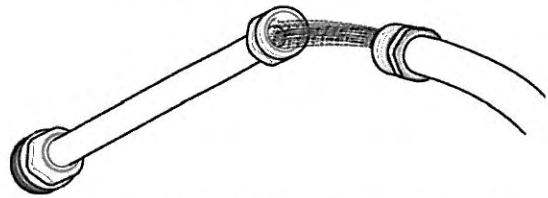
**The high pressure stream of water that this equipment produces can cut through skin and its underlying tissues, leading to serious injury, possible amputation or death. Spray gun traps high water pressure, even when engine is stopped and water is disconnected, which can cause injury.**

- Keep the high pressure hose connected to the pump and spray gun while the system is pressurized.
  - ALWAYS point the spray gun in a safe direction, and squeeze the spray gun trigger to release high pressure every time you stop the engine. Engage the trigger lock when not in use.
3. Remove the nozzle from the end of nozzle extension.
  4. Use a small paper clip to free any foreign material clogging or restricting the nozzle (Figure 27).
  5. Remove the lance from the spray gun.
  6. Using a garden hose, remove additional debris by back flushing water through the lance (Figure 28) for 30 to 60 seconds.
  7. Reinstall the nozzle into the lance.
  8. Reconnect the lance to the spray gun.
  9. Make sure the garden hose is connected to the pump water inlet. Check that the high pressure hose is connected to the spray gun and pump. Turn on the water.

**Figure 27 – Free Foreign Material**



**Figure 28 – Back Flush Lance**



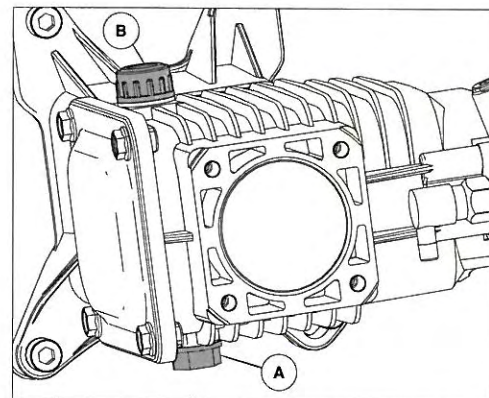
10. Start the engine following the instructions How to Start Your Power Washer.
11. Test the power washer by operating it with each quick connect nozzle.

## PUMP OIL MAINTENANCE

Change pump oil every 50 hours of operation.

1. Clean area around oil drain plug (A).
2. Remove oil drain plug. Drain oil completely.
3. Install oil drain plug. Do not over tighten.
4. Clean Area around oil dipstick (B).
5. Fill pump with SAE 30 non-detergent oil to "Full" mark on dipstick.
6. Install oil dipstick until finger tight.
7. Clean up any spilled oil.

**Figure 29 – Drain Pump Oil**



## ENGINE MAINTENANCE

### **⚠ WARNING!**



Unintentional sparking can result in fire or electric shock.

### WHEN ADJUSTING OR MAKING REPAIRS TO YOUR POWER WASHER:

- Disconnect the spark plug wire from the spark plug and place the wire where it cannot contact spark plug.

### WHEN TESTING FOR ENGINE SPARK:

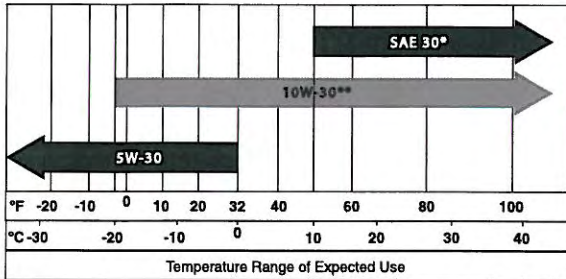
- Use an approved spark plug tester.
- DO NOT check for spark with spark plug removed.

# Maintenance

## ENGINE OIL RECOMMENDATIONS

We recommend the use of high-quality detergent oils acceptable if classified for service SF, SG, SH, SJ or higher. DO NOT use special additives.

Outdoor temperatures determine the proper oil viscosity for the engine. Use the chart to select the best viscosity for the outdoor temperature range expected.



\* Below 50°F (10°C) the use of SAE 30 will result in hard starting.  
\*\* Above 80°F (27°C) the use of 10W30 may cause increased oil consumption. Check oil level more frequently.

### NOTE:

Synthetic oil meeting ILSAC GF-2, API certification mark and API service symbol with "SJ/CF ENERGY CONSERVING" or higher, is an acceptable oil at all temperatures. Use of synthetic oil does not alter required oil change intervals.

### NOTE:

The engine is equipped with an "Oil Alert System". This system will automatically stop the engine before the oil level falls below a safe limit. To avoid the inconvenience of an unexpected shutdown, always check the engine oil level before startup.

## CHECKING OIL LEVEL

The oil level should be checked prior to each use or at least every 8 hours of operation. Keep the oil level maintained.

1. Make sure the power washer is on a level surface.
2. Clean area around oil fill cap (Figure 31).
3. Remove oil fill cap and wipe dipstick clean.
4. Insert dipstick into filler neck but do not screw it in.
5. Verify oil is at proper level on the dipstick.
6. Replace and tighten oil fill cap, finger tight.

## ADDING ENGINE OIL

1. Make sure the power washer is on a level surface.
2. Check the oil level as described in Checking Oil Level section.
3. If needed, slowly pour oil into the oil fill opening until the proper level on the dipstick is reached (Figure 31).
4. Verify oil level per the Checking Oil Level section.
5. Replace and tighten the oil fill cap, finger tight.

## CHANGING ENGINE OIL

If you are using your power washer under extremely dirty or dusty conditions, or in extremely hot weather, change the oil more often.

### CAUTION!

**!** Avoid prolonged or repeated skin contact with used motor oil.

- Used motor oil has been shown to cause skin cancer in certain laboratory animals.
- Thoroughly wash exposed areas with soap and water.

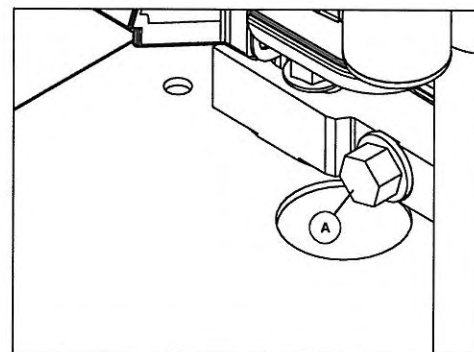
**!** KEEP OUT OF REACH OF CHILDREN.

- Don't pollute. Conserve resources. Return used oil to collection centers.

Change oil while the engine is still warm from running as follows:

1. Make sure the unit is on a level surface.
2. Disconnect the spark plug wire from the spark plug and place the wire where it cannot contact spark plug.
3. Clean the area around the oil drain plug (A) (Figure 30). The oil drain plug is located at the base of the engine, opposite the carburetor.

Figure 30 – Oil Drain Plug



4. Remove the oil fill cap (Figure 31).
5. Remove the oil drain plug and drain oil completely into a suitable container.
6. Reinstall the oil drain plug and tighten securely.

Figure 31 – Fill Engine Oil



7. Slowly pour oil (about 20 oz.) into the oil fill opening to the proper level on the dipstick. DO NOT overfill.
8. Reinstall the oil fill cap. Finger tighten cap securely.
9. Wipe up any spilled oil.
10. Properly dispose of oil in an accordance with all local regulations.

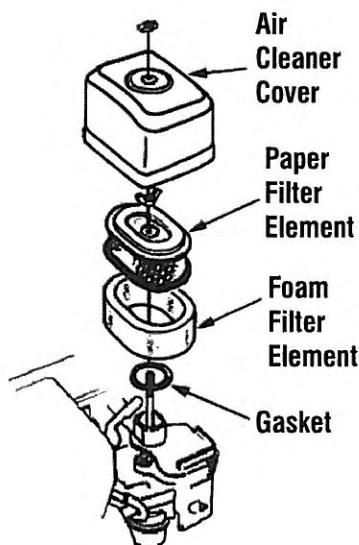
## SERVICE AIR CLEANER

Your engine will not run properly and may be damaged if you run it with a dirty air cleaner. Service more often if operating under dirty or dusty conditions.

To service the air cleaner, follow these steps:

1. Loosen the screw and remove cover (Figure 32).
2. Carefully remove the filter assembly.
3. Remove the foam filter.
4. To clean the cartridge, gently tap it on a flat surface.
5. Reinstall the foam filter.
6. Reinstall a clean or new cartridge assembly.
7. Install the cover and tighten screw securely.

Figure 32 – Service the Air Cleaner

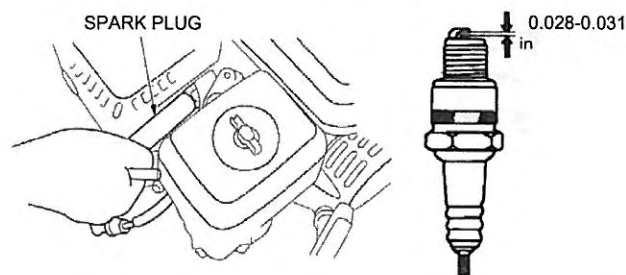


## SERVICE SPARK PLUG

Changing the spark plug will help the engine to start easier and run better.

1. Clean the area around the spark plug.
2. Remove and inspect the spark plug (Figure 33).
3. Check the electrode gap with a wire feeler gauge and reset the spark plug gap to the recommended gap, if necessary (see Specifications).
4. Replace the spark plug if the electrodes are pitted, burned or the porcelain is cracked. Use the recommended replacement plug. See Specifications.
5. Install the spark plug and tighten firmly.

Figure 33 – Change the Spark Plug



## INSPECT MUFFLER AND SPARK ARRESTER

Inspect the muffler for cracks, corrosion, or other damage. Remove the spark arrester, if equipped, and inspect it for damage or carbon blockage. If replacement parts are required, make sure to use only original equipment replacement parts.

### ⚠ WARNING!



Contact with muffler area can result in serious burns. Exhaust heat/gases can ignite combustibles, structures or damage fuel tank causing a fire.

- DO NOT touch hot parts and AVOID hot exhaust gases.
  - Allow equipment to cool before touching.
  - Keep at least 5 feet (152 cm) of clearance on all sides of the power washer including overhead.
  - It is a violation of California Public Resource Code, Section 4442, to use or operate the engine on any forest-covered, brush-covered, or grass-covered land unless the exhaust system is equipped with a spark arrester, as defined in Section 4442, maintained in effective working order. Other states or federal jurisdictions may have similar laws.
- Contact the original equipment manufacturer, retailer, or dealer to obtain a spark arrester designed for the exhaust system installed on this engine.
- Replacement parts must be the same and installed in the same position as the original parts.

## AFTER EACH USE

Water should not remain in the unit for long periods of time. Sediments or minerals can deposit on pump parts and freeze pump action. Follow these procedures after every use:

1. Shut off the engine, turn off the water supply, point the gun in a safe direction, and squeeze the trigger to relieve trapped pressure, and let the engine cool.

### ⚠ DANGER!



The high pressure stream of water that this equipment produces can cut through skin and its underlying tissues, leading to serious injury, possible amputation or death. Spray gun traps high water pressure, even when engine is stopped and water is disconnected, which can cause injury.

- Keep the high pressure hose connected to the pump and spray gun while the system is pressurized.

## Maintenance

- ALWAYS point the spray gun in a safe direction, and squeeze the spray gun trigger to release high pressure every time you stop the engine. Engage the trigger lock when not in use.
2. Disconnect the hoses from the spray gun and high pressure outlet on the pump. Drain water from the hoses, spray gun, and lance. Use a rag to wipe off the hose.
  3. Empty the pump of all pumped liquids. Check that the engine ON/OFF switch and fuel valve are in the OFF position. Then pull the recoil handle about six times. This should remove most of the liquid in the pump.
  4. Store the unit in a clean, dry area.
  5. If storing for more than 30 days, see the Long Term Storage section.

### **⚠ WARNING!**



**Fuel and its vapors are extremely flammable and explosive. Fire or explosion can cause severe burns or death.**

#### **WHEN STORING FUEL OR EQUIPMENT WITH FUEL IN TANK:**

- Store away from furnaces, stoves, water heaters, clothes dryers, or other appliances that have a pilot light or other ignition source because they can ignite fuel vapors.

## WINTER STORAGE

### **NOTE:**

#### **You must protect the unit from freezing temperatures.**

- Failure to do so will permanently damage the pump and render the unit inoperable.
- Freeze damage is not covered under the warranty.

To protect the unit from freezing temperatures:

1. Follow steps 1-3 in the previous section, After Each Use.
2. Use a pump saver to treat pump. This minimizes freeze damage and lubricates the pistons and seals.
3. If a pump saver is not available, connect a 3-foot section of garden hose to the water inlet adapter. Pour RV-antifreeze (antifreeze without alcohol) into the hose. Pull the recoil handle twice. Disconnect the 3-foot hose.
4. Store the unit in a clean, dry area.

## LONG TERM STORAGE

If you do not plan to use the power washer for more than 30 days, you must prepare the engine and pump for long term storage.

### **PROTECT FUEL SYSTEM**

Fuel can become stale when stored for over 30 days. Stale fuel causes acid and gum deposits to form in the fuel system or on essential carburetor parts. To keep the fuel fresh, use a fuel stabilizer, available as a liquid additive or a drip concentrate cartridge.

There is no need to drain the gasoline from the engine if a fuel stabilizer is added according to instructions. Run the engine for 2 minutes to circulate the stabilizer throughout the fuel system. The engine and fuel can then be stored up to 24 months (per fuel stabilizer manufacturer's specifications).

If the gasoline in the engine has not been treated with a fuel stabilizer, it must be drained into an approved container. Run the engine until it stops from lack of fuel. The use of a fuel stabilizer in the storage container is recommended to maintain freshness.

### **CHANGE OIL**

While the engine is still warm, drain the oil from crankcase. Refill with the recommended grade. See Changing Engine Oil in Engine Maintenance.

### **PROTECTING THE PUMP**

To protect the pump from damage caused by mineral deposits or freezing, use PumpSaver, Model 61350, to treat the pump. This prevents freeze damage and lubricates the pistons and seals.

### **NOTE:**

**PumpSaver is available as an optional accessory. It is not included with the power washer. Contact the nearest authorized service center to purchase PumpSaver.**

### **NOTE:**

#### **YOU MUST PROTECT YOUR UNIT FROM FREEZING TEMPERATURES.**

- Failure to do so will permanently damage the pump and render the unit inoperable.
- Freeze damage is not covered under warranty.

To use PumpSaver, make sure the power washer is turned off and disconnected from the water supply. Read and follow all the instructions and warnings given on the PumpSaver container.

## OTHER STORAGE INSTRUCTIONS

1. DO NOT store fuel from one season to another unless it has been treated as described in Protect Fuel System.
2. Replace the fuel container if it starts to rust. Rust and/or dirt in fuel can cause problems if it's used with this unit.
3. Cover the unit with a suitable protective cover that does not retain moisture.

### **⚠ WARNING!**



#### **Storage covers can be flammable.**

- DO NOT place a storage cover over a hot power washer.
  - Let the equipment cool for a sufficient time before placing the cover on the equipment.
4. Store the unit in a clean, dry area.

## TROUBLESHOOTING GUIDE

PROBLEM	CAUSE	CORRECTION
<b>Pump has following problems: failure to produce pressure, erratic pressure, chattering, loss of pressure, low water volume.</b>	<ol style="list-style-type: none"> <li>1. Low pressure nozzle installed.</li> <li>2. Water inlet is blocked.</li> <li>3. Inadequate water supply.</li> <li>4. Inlet hose is kinked or leaking.</li> <li>5. Clogged inlet hose screen.</li> <li>6. Water supply is over 100°F.</li> <li>7. High pressure hose is blocked or leaks.</li> <li>8. Spray gun leaks.</li> <li>9. Nozzle is obstructed.</li> <li>10. Pump is faulty.</li> </ol>	<ol style="list-style-type: none"> <li>1. Replace with high pressure nozzle.</li> <li>2. Clear inlet.</li> <li>3. Provide adequate water flow.</li> <li>4. Straighten inlet hose, patch leak.</li> <li>5. Check and clean inlet hose screen.</li> <li>6. Provide cooler water supply.</li> <li>7. Clear blocks in outlet hose or replace hose.</li> <li>8. Replace spray gun.</li> <li>9. Clean nozzle.</li> <li>10. Contact local service facility.</li> </ol>
<b>Detergent fails to mix with spray.</b>	<ol style="list-style-type: none"> <li>1. Detergent siphoning tube is not submerged.</li> <li>2. Detergent siphoning tube/filter is clogged or cracked.</li> <li>3. High pressure nozzle installed.</li> </ol>	<ol style="list-style-type: none"> <li>1. Insert detergent siphoning tube into detergent.</li> <li>2. Clean or replace filter/detergent siphoning tube.</li> <li>3. Replace with low pressure nozzle.</li> </ol>
<b>Engine runs well at no-load but "bogs" when load is added.</b>	<ol style="list-style-type: none"> <li>1. Engine speed is too slow.</li> </ol>	<ol style="list-style-type: none"> <li>1. Move throttle control to FAST position. If engine still "bogs down", contact local service facility.</li> </ol>
<b>Engine will not start; or starts and runs rough.</b>	<ol style="list-style-type: none"> <li>1. Low oil level, "Oil Alert System".</li> <li>2. Dirty air cleaner.</li> <li>3. Out of fuel.</li> <li>4. Stale fuel.</li> <li>5. Spark plug wire not connected to spark plug.</li> <li>6. Bad spark plug.</li> <li>7. Water in fuel.</li> <li>8. Excessively rich fuel mixture.</li> </ol>	<ol style="list-style-type: none"> <li>1. Fill crankcase to proper level.</li> <li>2. Clean or replace air cleaner.</li> <li>3. Fill fuel tank.</li> <li>4. Drain fuel tank; fill with fresh fuel.</li> <li>5. Connect wire to spark plug.</li> <li>6. Replace spark plug.</li> <li>7. Drain fuel tank; fill with fresh fuel.</li> <li>8. Contact local service facility.</li> </ol>
<b>Engine shuts down during operation.</b>	<ol style="list-style-type: none"> <li>1. Out of fuel.</li> </ol>	<ol style="list-style-type: none"> <li>1. Fill fuel tank.</li> </ol>
<b>Engine lacks power.</b>	<ol style="list-style-type: none"> <li>1. Dirty air filter.</li> </ol>	<ol style="list-style-type: none"> <li>1. Replace air filter.</li> </ol>



# Warranty

## U.S. EPA EMISSION CONTROL WARRANTY STATEMENT YOUR WARRANTY RIGHTS AND OBLIGATIONS

The United States Environmental Protection Agency (EPA) and Generac Power Systems, Inc. (Generac) are pleased to explain the Emission Control System Warranty (ECS Warranty) on your new 2011 and later equipment. New equipment that use small spark-ignited engines must be designed, built, and equipped to meet stringent anti-smog standards for the federal government. Generac will warrant the emission control system on your equipment for the period of time listed below provided there has been no abuse, neglect, unapproved modification or improper maintenance of your equipment. The emission control system on this equipment includes all components whose failure would increase the emissions of any regulated pollutant. These components are listed in the Emissions Information section of this manual.

### MANUFACTURER'S WARRANTY COVERAGE:

This ECS Warranty is valid for two years, or for the same period as specified in the Generac Limited Warranty, whichever is longer. For equipment with hour meters, the warranty period is a number of hours equal to half the Useful Life to which the equipment is certified, or the warranty period specified above in years, whichever is less. The Useful Life can be found on the Emission Control Label on the engine. If, during such warranty period, any emission-related part on your equipment is found to be defective in materials or workmanship, repairs or replacement will be performed by a Generac Authorized Warranty Service Dealer.

### OWNER'S WARRANTY RESPONSIBILITIES:

As the equipment owner, you are responsible for the completion of all required maintenance as listed in your factory supplied Owner's Manual. For warranty purposes, Generac recommends that you retain all receipts covering maintenance on your generator, but Generac cannot deny warranty solely due to the lack of receipts.

You should be aware that Generac may deny any and/or all warranty coverage or responsibility if your equipment, or a part/component thereof, has failed due to abuse, neglect, improper maintenance, or unapproved modifications.

**You are responsible for contacting a Generac Authorized Warranty Dealer as soon as a problem occurs. The warranty repairs should be completed in a reasonable amount of time, not to exceed 30 days.**

Warranty service can be arranged by contacting either your selling dealer or a Generac Authorized Warranty Service Dealer. To locate the Generac Authorized Warranty Service Dealer nearest you, call our toll free number below, or email [emissions@generac.com](mailto:emissions@generac.com).

**1-800-333-1322**

**IMPORTANT NOTE:** This warranty statement explains your rights and obligations under the Emission Control System Warranty, which is provided to you by Generac pursuant to federal law. See also the "Generac Limited Warranties for Generac Power Systems, Inc.," which is enclosed herewith on a separate sheet, also provided to you by Generac. Note that this warranty shall not apply to any incidental, consequential or indirect damages caused by defects in materials or workmanship or any delay in repair or replacement of the defective part(s). This warranty is in place of all other warranties, expressed or implied. Specifically, Generac makes no other warranties as to the merchantability or fitness for a particular purpose. Any implied warranties which are allowed by law, shall be limited in duration to the terms of the express warranty provided herein. Some states do not allow limitations on how long an implied warranty lasts, so the above limitation may not apply to you.

The ECS Warranty applies only to the emission control system of your new equipment. Both the ECS Warranty and the Generac Warranty describe important rights and obligations with respect to your new engine.

Warranty service can be performed only by a Generac Authorized Warranty Service Facility. When requesting warranty service, evidence must be presented showing the date of the sale to the original purchaser/owner.

If you have any questions regarding your warranty rights and responsibilities, you should contact Generac at the following address:

**ATTENTION WARRANTY DEPARTMENT  
GENERAC POWER SYSTEMS, INC.  
P.O. BOX 297 • WHITEWATER, WI 53190**

Part 1 of 2

Part No. 0J3335 Rev. C 11/11

# Warranty

## EMISSION CONTROL SYSTEM WARRANTY

Emission Control System Warranty (ECS Warranty) for equipment using small spark-ignited engines:

- (a) **Applicability:** This warranty shall apply to equipment that uses small off-road engines. The ECS Warranty period shall begin on the date the new equipment is purchased by/delivered to its original, end-use purchaser/owner and shall continue for the lesser of:
  - (1) The period of time specified in the Generac Limited Warranty enclosed herewith, but not less than 24 months, or
  - (2) For engines equipped with hour meters, a number of operating hours equal to half of the engine's useful life. The useful life is specified on the Emissions Control Label on the engine.
- (b) **General Emissions Warranty Coverage:** Generac warrants to the original, end-use purchaser/owner of the new engine or equipment and to each subsequent purchaser/owner that the ECS when installed was:
  - (1) Designed, built and equipped so as to conform with all applicable regulations; and
  - (2) Free from defects in materials and workmanship which cause the failure of a warranted part at any time during the ECS Warranty Period.
- (c) **The warranty on emissions-related parts will be interpreted as follows:**
  - (1) Any warranted part that is not scheduled for replacement as required maintenance in the Owner's Manual shall be warranted for the ECS Warranty Period. If any such part fails during the ECS Warranty Period, it shall be repaired or replaced by Generac according to Subsection (4) below. Any such part repaired or replaced under the ECS Warranty shall be warranted for the remainder of the ECS Warranty Period.
  - (2) Any warranted part that is scheduled only for regular inspection as specified in the Owner's Manual shall be warranted for the ECS Warranty Period. A statement in the Owner's Manual to the effect of "repair or replace as necessary" shall not reduce the ECS Warranty Period. Any such part repaired or replaced under the ECS Warranty shall be warranted for the remainder of the ECS Warranty Period.
  - (3) Any warranted part that is scheduled for replacement as required maintenance in the Owner's Manual shall be warranted for the period of time prior to first scheduled replacement point for that part. If the part fails prior to the first scheduled replacement, the part shall be repaired or replaced by Generac according to Subsection (4) below. Any such emissions-related part repaired or replaced under the ECS warranty shall be warranted for the remainder of the period prior to the first scheduled replacement point for that part.
  - (4) Repair or replacement of any warranted, emissions-related part under this ECS Warranty shall be performed at no charge to the owner at a Generac Authorized Warranty Service Facility.
  - (5) Notwithstanding the provisions of subsection (4) above, warranty services or repairs must be provided at Generac Authorized Service Facilities.
  - (6) When the engine is inspected by a Generac Authorized Warranty Service Facility, the purchaser/owner shall not be held responsible for diagnostic costs if the repair is deemed warrantable.
  - (7) Throughout the ECS Warranty Period, Generac shall maintain a supply of warranted emission-related parts sufficient to meet the expected demand for such parts.
  - (8) Any Generac authorized and approved emission-related replacement parts may be used in the performance of any ECS Warranty maintenance or repairs and will be provided without charge to the purchaser/owner. Such use shall not reduce Generac's ECS Warranty obligations.
  - (9) No modifications, other than those explicitly approved by Generac, may be made to the generator. Unapproved modifications void this ECS Warranty and shall be sufficient ground for disallowing an ECS Warranty claim.
  - (10) Generac shall not be held liable hereunder for failures of any non-authorized replacement parts, or failures of any authorized parts caused by the use of non-authorized replacement parts.

### EMISSION RELATED PARTS MAY INCLUDE THE FOLLOWING (IF EQUIPPED):

- |                                  |                          |
|----------------------------------|--------------------------|
| 1) FUEL METERING SYSTEM          | 3) IGNITION SYSTEM       |
| A. CARBURETOR AND INTERNAL PARTS | A. SPARK PLUGS           |
| B. FUEL TANK/CAP                 | B. IGNITION COILS/MODULE |
| C. FUEL LINES                    | 4) AIR INJECTION SYSTEM  |
| D. EVAPORATIVE VENT LINES        | A. PULSE AIR VALVE       |
| E. REGULATOR (GASEOUS FUELS)     | 5) EXHAUST SYSTEM        |
| 2) AIR INDUCTION SYSTEM          | A. CATALYST              |
| A. INTAKE MANIFOLD               | B. EXHAUST MANIFOLD      |
| B. AIR FILTER                    |                          |

# Warranty

## GENERAC POWER SYSTEMS "THREE YEAR" LIMITED WARRANTY FOR PROFESSIONAL GRADE POWER WASHERS

For a period of three years from the date of original sale, Generac Power Systems, Inc. (Generac) warrants its Power Washers will be free from defects in materials and workmanship for the items and period set forth below. Generac will, at its option, repair or replace any part which, upon examination, inspection and testing by Generac or a Generac Authorized Warranty Service Dealer, is found to be defective. Repair or replacement pursuant to this limited warranty shall not renew or extend the original warranty period. Any repaired product shall be warranted for the remaining original warranty period only. Any equipment that the purchaser/owner claims to be defective must be returned to and examined by the nearest Generac Authorized Warranty Service Dealer. All transportation costs under the warranty, including return to the factory, are to be borne and prepaid by the purchaser/owner. This warranty applies only to Generac Power Washers and is not transferable from original purchaser. Save your proof-of-purchase receipt. If you do not provide proof of the initial purchase date, the manufacturer's shipping date of the product will be used to determine the warranty period.

### WARRANTY SCHEDULE

Consumer applications are warranted for three (3) years. Commercial and Rental applications are warranted for 90 days.

#### CONSUMER APPLICATION

YEAR ONE AND TWO – Limited comprehensive coverage on Labor and Part(s) (proof of purchase and maintenance is required):

- All Components

YEAR THREE - Limited comprehensive coverage on Part(s) (proof of purchase and maintenance is required):

- Engine only – Major components including: Block, head, crank, cam, rods and pistons.

#### COMMERCIAL/RENTAL APPLICATION

90 day – Limited comprehensive coverage on Labor and Part(s) (proof of purchase and maintenance is required):

- All Components

**NOTE:** For the purpose of this warranty "consumer use" means personal residential household or recreational use by original purchaser. Once a Power Washer has experienced commercial or rental use, it shall thereafter be considered a non-consumer use for the purpose of this warranty.

### GUIDELINES

- The customer is responsible to read and follow all operating instructions.
- Products that are damaged due to improper operation, will not be covered by warranty. This includes water pump components that are started without the required water flow and pressure.
- The customer will be responsible to transport the product to an authorized Generac repair facility for all Warranty repairs.
- Verification of maintenance may be requested for coverage of Warranty Repairs.
- Warranty Labor Rates are based on normal working hours. Additional costs for overtime, holiday or emergency labor costs for repairs outside normal business hours will be the responsibility of the customer.
- Warranty Parts shipment costs are reimbursed at ground shipment rates. Costs related to requests for expedited shipping will be the responsibility of the customer.

### THIS WARRANTY SHALL NOT APPLY TO THE FOLLOWING:

- Generac Power Washers that utilize non-Generac replacement parts.
- Costs of normal maintenance and adjustments.
- Failures caused by any contaminated or improper fuels, oils or lack of proper oil levels, or contaminated water.
- Repairs or diagnostics performed by individuals other than Guardian/Generac authorized dealers not authorized in writing by Generac.
- Failures due, but not limited, to normal wear and tear, accident, misuse, abuse, negligence, improper use, or improper maintenance. As with all mechanical devices, the Generac engines need periodic part(s) service and replacement to perform as designed. This warranty will not cover repair when normal use has exhausted the life of a part(s) or engine.
- Failures caused by any act of God and/or other force majeure events beyond the manufacturer's control.
- Damage related to rodent and/or insect infestation.
- Products that are modified or altered in a manner not authorized by Generac in writing.
- Any incidental, consequential or indirect damages caused by defects in materials or workmanship, or any delay in repair or replacement of the defective part(s).
- Failure due to misapplication.
- Water freezing in the pump (pump must be properly drained at seasons end in freezing climates).
- Expenses related to "customer instruction" or troubleshooting where no manufacturing defect is found.
- Rental equipment used while warranty repairs are being performed.
- Starting batteries, fuses, filters, light bulbs and engine fluids.

THIS WARRANTY IS IN PLACE OF ALL OTHER WARRANTIES, EXPRESSED OR IMPLIED, SPECIFICALLY, GENERAC MAKES NO OTHER WARRANTIES AS TO THE MERCHANTABILITY OR FITNESS FOR A PARTICULAR PURPOSE. Any implied warranties which are allowed by law, shall be limited in duration to the terms of the express warranty provided herein. Some states do not allow limitations on how long an implied warranty lasts, so the above limitation may not apply to purchaser/owner.

GENERAC'S ONLY LIABILITY SHALL BE THE REPAIR OR REPLACEMENT OF PART(S) AS STATED ABOVE. IN NO EVENT SHALL GENERAC BE LIABLE FOR ANY INCIDENTAL, OR CONSEQUENTIAL DAMAGES, EVEN IF SUCH DAMAGES ARE A DIRECT RESULT OF GENERAC'S NEGLIGENCE. Some states do not allow the exclusion or limitation of incidental or consequential damages, so the above limitations may not apply to purchaser/owner. Purchaser/owner agrees to make no claims against Generac based on negligence. This warranty gives purchaser/owner specific legal rights. Purchaser/owner also may have other rights that vary from state to state. Any implied warranties which are allowed by law, shall be limited in duration to the terms of the express warranty provided herein.

**GENERAC POWER SYSTEMS, INC. • P.O. BOX 8 • Waukesha, WI 53187**

**Ph: (888) GENERAC (436-3722) • Fax: (262) 544-4851**

To locate the nearest Authorized Dealer and to download schematics, exploded parts views and parts lists visit our website: [www.generac.com](http://www.generac.com)