

Inverter Driven Heat Pump

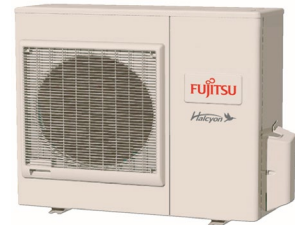
18K BTU Single Zone Wall Mounted System

Job Name _____
 Location _____
 Engineer _____
 Submitted To _____
 Submitted By _____
 Reference _____

Date _____
 Approval _____
 Construction _____
 Unit No _____
 Drawing No _____

PRODUCT FEATURES

- Auto Changeover
- 24 Hour Timer
- Auto Louver: 4 way
- Minimum Heat Mode
- Quiet Mode
- Auto Restart
- Economy Mode
- Auto Fan



MODEL NUMBERS

Indoor Unit	ASU18RLB
Outdoor Unit	AOU18RLB
System	18RLB

EFFICIENCIES

SEER	19.0	
EER	12.5	
HSPF	10.6	
COP	kW/kW	4.11
	Btu/hW	14.0

OUTDOOR TEMPERATURE OPERATION RANGE

Cooling	*F(°C)	14 to 115 (-10 to 46)
Heating		5 to 75 (-15 to 24)

CAPACITIES

Cooling	Rated	BTU/hW	18,000
	Min.-Max.		3100 - 19000
Heating	Rated		18,000
	Min.-Max.		7000 - 20000

LINESET REQUIREMENTS

Connection Method		Flare
Liquid	in (mm)	Ø 1/4 (Ø 6.35)
		Ø 1/2 (Ø 12.70)
Pre-Charge Length	ft (m)	49 (15)
Minimum Length		10 (3)
Maximum Length		66 (20)
Max. Height Diff.		49 (15)

INDOOR DIMENSIONS & WEIGHT

Net (H x W x D)	in	320 x 998 x 228
	mm	12-10/16 x 39-5/16 x 9
Gross (H x W x D)	in	319 x 1090 x 429
	mm	12-9/16 x 42-15/16 x 16-14/16
Net Weight	lb (kg)	31 (14)
Gross Weight		40 (18)

OUTDOOR DIMENSIONS & WEIGHT

Net (H x W x D)	in	24 - 7/16 x 31 - 2/16 x 11 - 7/16
	mm	620 x 790 x 290
Gross (H x W x D)	in	28 - 1/16 x 37-3/16 x 15 - 9/16
	mm	713 x 945 x 395
Net Weight	lb (kg)	86 (39)
Gross Weight		93 (42)

Warranty Information



7 Year Compressor, 5 Year Parts out-of-the-box Warranty



10 Year Compressor, 10 Year Parts Warranty when registered within 30 days of installation in a residence



12 Year Compressor, 12 Year Parts Warranty when registered within 30 days of installation in a residence, and installed by a Fujitsu Elite contractor

ACCESSORIES

UTY-TTRX	3rd Party Thermostat Converter
FJ-IR-WIFI-1NA	Intesis WiFi IR Module
FJ-RC-WIFI-1NA	Intesis WiFi Wired Module
UTY-TFNXZ2	WiFi Interface Module
UTY-RNNUM	Wired Remote
UTY-RVNUM	Wired Remote w/backlight
UTY-RSNUM	Simple Remote
UTY-XWZX	Dry Contact Wire Kit



This system combination is Energy Star qualified



Indoor Unit ETL#: 3170288
 Outdoor Unit ETL#: 91987



SUBMITTAL 18RLB

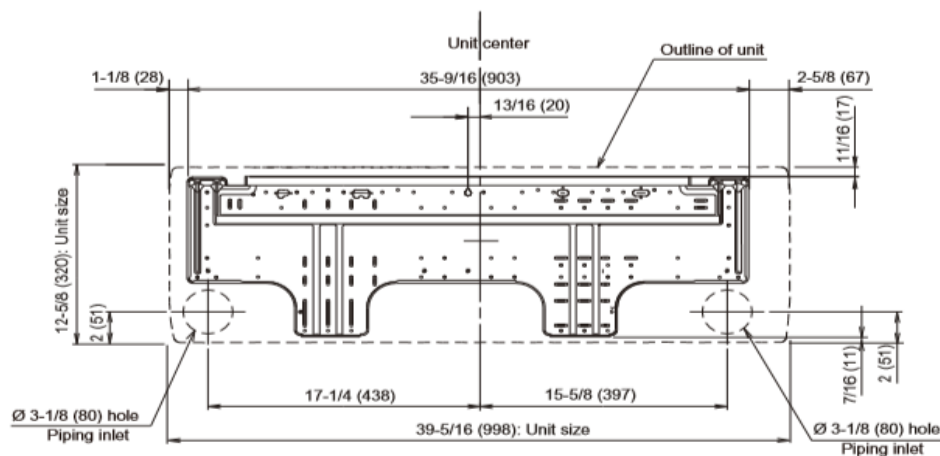


18K BTU Single Zone Wall

18K BTU Single Zone Wall Mounted System

FAN DATA				ELECTRICAL SPECIFICATIONS				
Indoor Unit Airflow Rate	Cooling	High	541 (920)	Voltage/Frequency/Phase			208/230V ~ 60Hz	
		Medium	435 (740)	Voltage Range			187-253V	
		Low	365 (620)	Current	Cooling	Rated	A	6.4
		Quiet	306 (520)		Heating	Rated		5.8
	Heating	High	541 (920)	Maximum Operating Current		Cooling		8.3
		Medium	435 (740)			Heating		11.8
		Low	365 (620)	Starting Current			6.4	
		Quiet	318 (540)	MCA			14.6	
Outdoor Unit Airflow Rate		Cooling	1,206 (2,050)	Maximum Circuit Breaker			15	
		Heating	1,083 (1,840)	Input Power	Cooling	Rated	1.44	
					Min.-Max.		1.63	
					Rated		1.285	
					Min.-Max.		2.06	
				Power Factor	Cooling	%	98	
					Heating		96	
SOUND PRESSURE				OTHER				
Indoor Unit	Cooling	High	42	Moisture Removal		pints/h (L/h)	1.9(4)	
		Medium	35	Energy Star			YES	
		Low	31	Drain hose		Material	PVC	
		Quiet	26			Size	in (mm) Ø 15/32 (12) (I.D.), 5/8(16)	
	Heating	High	43	Operation Range		Cooling	°F (°C) 64 to 90 (18 to 32)	
		Medium	36				%RH 80 or less	
		Low	33			Heating	°F (°C) 88 (30) or less	
		Quiet	28					
Outdoor Unit		Cooling	51					
		Heating	50					
REFRIGERANT								
Type		R410A						
Charge	lb oz	3lbs. 1 oz						
	kg	1						
Oil Type		POE (RB68)						

Wall Bracket Data:



The Fujitsu logo is a worldwide trademark of Fujitsu General Limited. The Halcyon logo and name is a worldwide trademark of Fujitsu General Limited and is a registered trademark in Japan, the USA and other countries or areas. Copyright 2018 Fujitsu General America, Inc. Fujitsu's products are subject to continuous improvements. Fujitsu reserves the right to modify product design, specifications and information in this brochure without notice and without incurring any obligations.

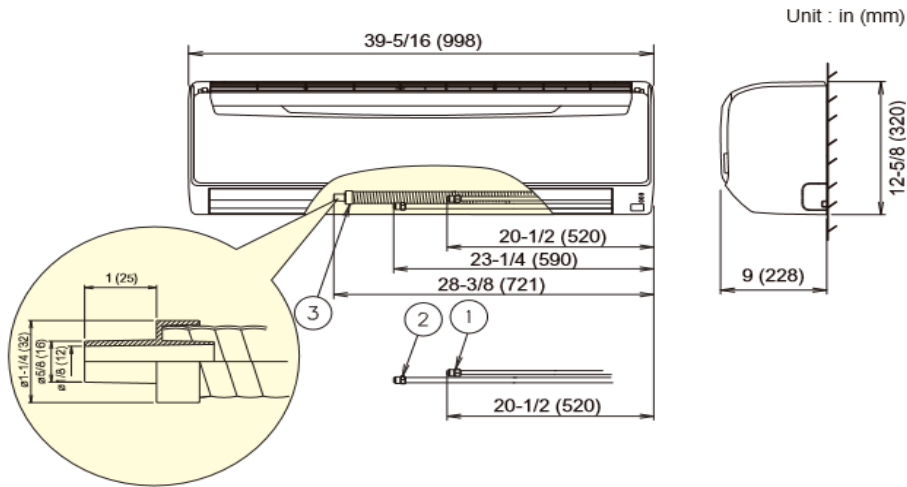
Note: Specifications are based on the following conditions:
 Cooling: Indoor temperature of 80°F (26.7°C) DB/67°F (19.4°C) WB, and outdoor temperature of 95°F (35°C) DB/75°F (23.9°C) WB. Heating: Indoor temperature of 70°F (21.1°C) DB/60°F (15.6°C) WB, and outdoor temperature of 47°F (8.3°C) DB/43°F (6.1°C) WB. Pipe length: 25ft. (7.5m), Height difference: 0ft. (0m) (Outdoor unit - indoor unit).

18K BTU Single Zone Wall

18K BTU Single Zone Wall Mounted System

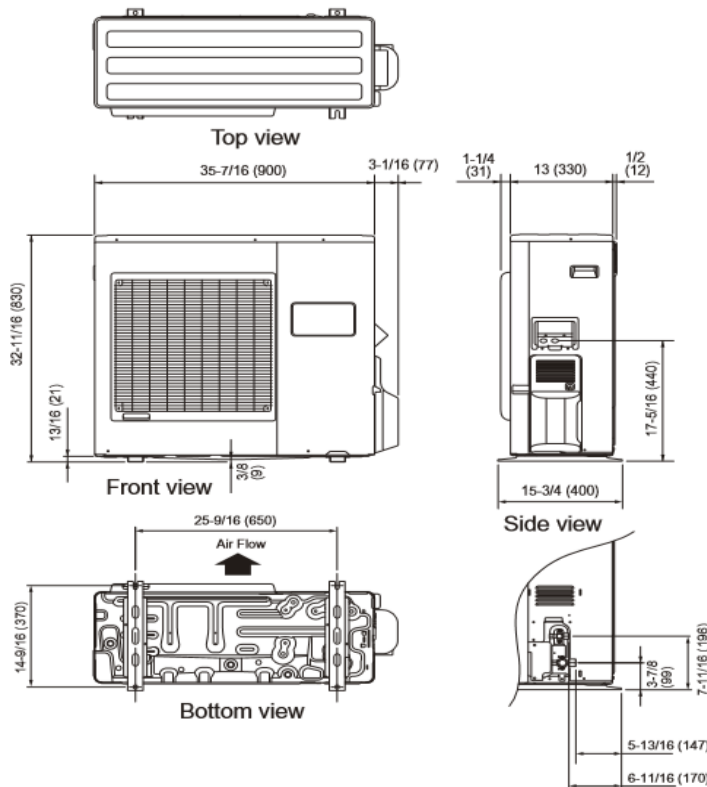
DIMENSIONS

Units: In. (mm)



Unit : in (mm)

Unit : in. (mm)



The Fujitsu logo is a worldwide trademark of Fujitsu General Limited. The Halcyon logo and name is a worldwide trademark of Fujitsu General Limited and is a registered trademark in Japan, the USA and other countries or areas. Copyright 2018 Fujitsu General America, Inc. Fujitsu's products are subject to continuous improvements. Fujitsu reserves the right to modify product design, specifications and information in this brochure without notice and without incurring any obligations.

Note: Specifications are based on the following conditions:
 Cooling: Indoor temperature of 80°F (26.7°C) DB/67°F (19.4°C) WB, and outdoor temperature of 95°F (35°C) DB/75°F (23.9°C) WB. Heating: Indoor temperature of 70°F (21.1°C) DB/60°F (15.6°C) WB, and outdoor temperature of 47°F (8.3°C) DB/43°F (6.1°C) WB. Pipe length: 25ft. (7.5m), Height difference: 0ft. (0m) (Outdoor unit - indoor unit).