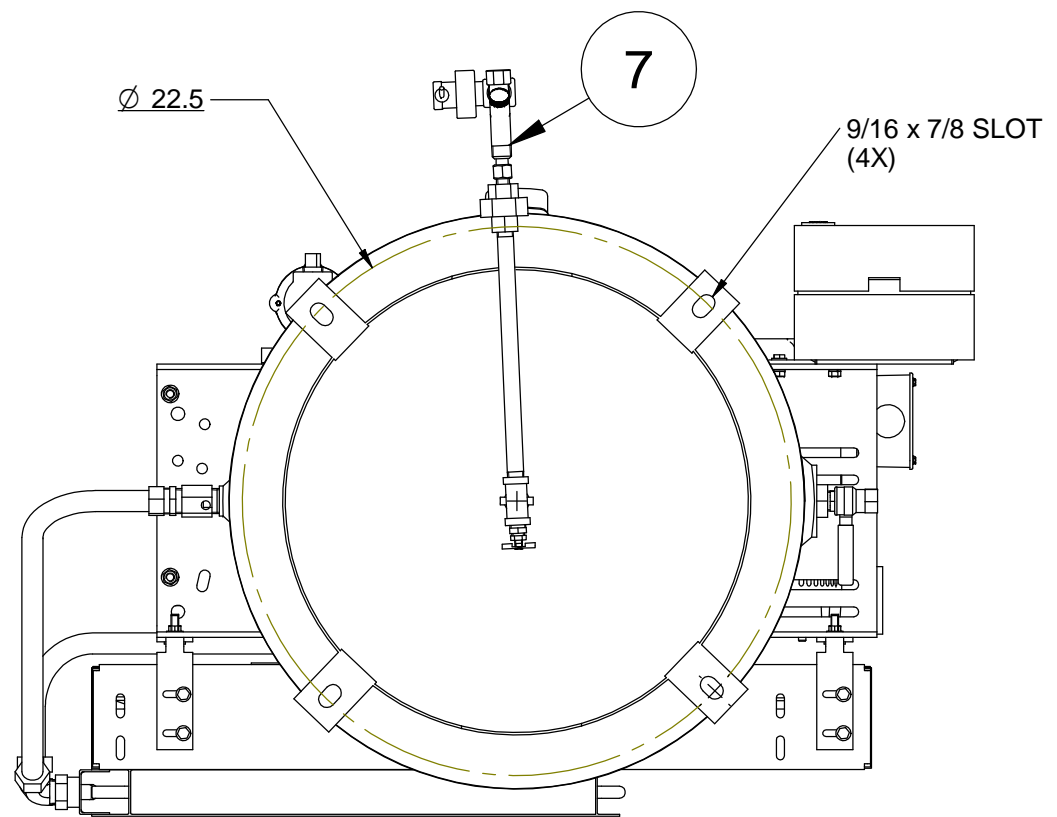


ITEM NUMBER	DESCRIPTION
1	E57 COMPRESSOR
2	BELT GUARD
3	7.5HP MOTOR
4	STARTER
5	1/2" NPT DISCHARGE VALVE
6	80 GALLON TANK
7	ELECTRIC TANK DRAIN
8	PRESSURE SWITCH
9	LOW OIL GUARD
10	AFTER COOLER



TOLERANCE UNLESS NOTED
 DECIMALS xx = ±.010; xxx = ±.005
 FRACTIONS
 FORMED OR CAST = ±1/32
 MACHINED = ±1/64
 ANGULAR AND PARALLELISM
 FORMED OR CAST = ±.5°
 MACHINED = ±1°
 SURFACE FINISH
 REMOVE ALL BURRS
 DO NOT SCALE DRAWING

N/A	B	New Design 80V units	05/12/16	JR	ZF
ECN No.	Revision	Modification	Date	By	App
ANSI	ANSI B4.1	Scale	1:1	RELEASED	B
Higher level assembly	Material	Unit	in	CA7.5 VERT 80G ULTRAPACK - Q2 2016	
Model	Weight	Sheet format	C	Part number	
CA7.5	580 lbs	Date	05/12/2016	CA3302	
Drawn	Date	Sheet	1 of 1	Projection method	
JR	05/12/2016	Third angle			
Verified	Date				
ZF	05/12/2016	Distribution, utilization or the communication to third parties without our approval obliged to pay damages and is punishable to all the applicable laws.			
Approved	Date	We reserve all rights in the case of patent award or utility entry Curtis Toledo, Inc., 1905 Kienlen Avenue, St. Louis, MO, 63133, United States.			
ZF	05/12/2016				