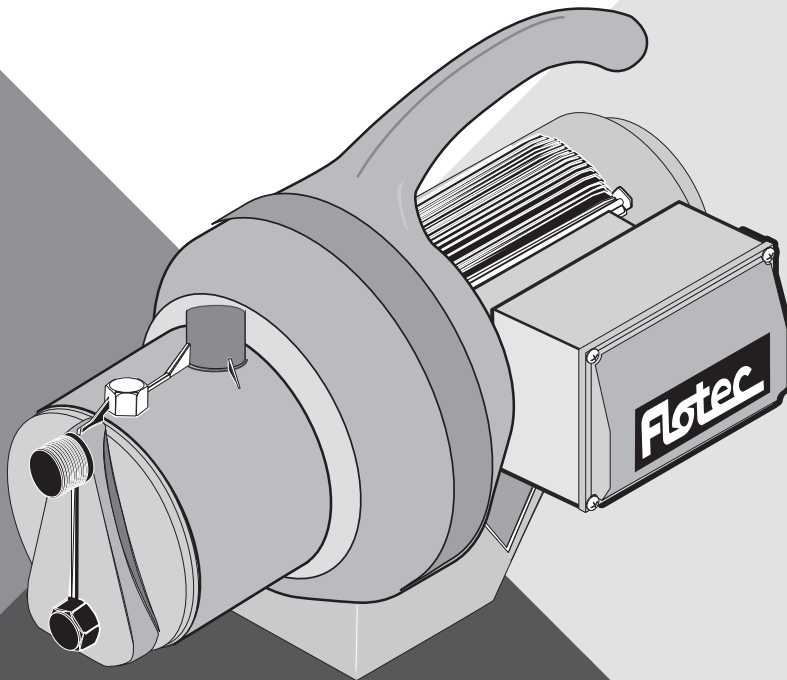




# PORTABLE UTILITY TRANSFER PUMP

MODEL FP5112

ENGLISH: 1-8 ♦ FRENCH: 9-16 ♦ SPANISH: 17-24



## INSTALLATION & OPERATION MANUAL

[pentair.com](http://pentair.com)

# TABLE OF CONTENTS

---

SAFETY INSTRUCTIONS ..... 3

INSTALLATION & OPERATION ..... 4

PERFORMANCE ..... 6

TROUBLESHOOTING ..... 6


PARTS INDEX..... 7


WARRANTY ..... 8


# SAFETY INSTRUCTIONS


---

## SAFETY SYMBOLS

 This is the safety alert symbol. When you see this symbol on your pump or in this manual, look for one of the following signal words and be alert to the potential for personal injury:


 **DANGER** warns about hazards that will cause serious personal injury, death or major property damage if ignored.

 **WARNING** warns about hazards that can cause serious personal injury, death or major property damage if ignored.




 **CAUTION** warns about hazards that will or can cause minor personal injury or property damage if ignored.

The word **NOTICE** indicates special instructions that are important but not related to hazards.


## CALIFORNIA PROPOSITION 65 WARNING

 **WARNING** This product and related accessories contain chemicals known to the State of California to cause cancer, birth defects or other reproductive harm.

## GENERAL SAFETY

1. Carefully read and follow all safety instructions in this manual and on the unit itself.
2. Follow all applicable local and state codes and regulations.
3.  **WARNING RISK OF EXPLOSION. HAZARDOUS PRESSURE.** The pump body may explode if used as a booster pump unless a relief valve capable of passing the full pump flow at 75 PSI (517 kPa) is installed.
4.  **WARNING RISK OF FIRE AND EXPLOSION. CAN CAUSE SEVERE INJURY, PROPERTY DAMAGE OR DEATH.** To avoid risk of fire and explosion, pump only water with this pump. Do not use this pump in an atmosphere that might contain flammable fumes or vapors.
5.  **CAUTION RISK OF BURNS.** Never run the pump dry. To do so can damage internal parts, overheat pump (which can cause burns to people handling or servicing pump), and will void warranty.
6. If water is trapped in the pump during operation it may turn to steam. Trapped steam can lead to an explosion and burns. Never run the pump with the outlet closed or obstructed.
7. Do not touch an operating motor. Modern motors can operate at high temperatures. To avoid burns when servicing the pump, allow it to cool for 20 minutes after shut-down before handling.

## ELECTRICAL SAFETY

1.  **WARNING RISK OF ELECTRIC SHOCK. CAN SHOCK, BURN OR KILL.** The pump is supplied with a 3-conductor grounding type cord. Connect only to a properly grounded, GFCI protected outlet.
2. Do not lift pump by the electrical cord.
3. Unplug pump before servicing and disconnect power before working on pump, motor or tank.
4. The pump is non-submersible. Keep the motor dry at all times. Do not wash the motor. Do not immerse. Protect the motor from wet weather.
5. If using an extension cord, use only a UL approved indoor/outdoor, 3-wire, grounding type cord. Do not allow any part of the cord or the receptacle ends to sit in water or in damp locations.
6. Unplug the pump before servicing. To avoid fatal shocks, proceed as follows if the pump needs servicing.
7. Disconnect the power to the pump outlet box before pulling the pump plug. After the plug is pulled, let the pump cool for 20 minutes before attempting to work on it.
8. Take extreme care when changing fuses. To reduce the chance of fatal electrical shock, DO NOT stand in water or put your finger in the fuse socket.
9. Ground electrical outlet box.

# INSTALLATION & OPERATION

## BEFORE INSTALLATION

- ◆ Only pump clean water with this unit. This pump is not designed for applications involving salt water or brine! Using salt water or brine voids the warranty.
- ◆ To avoid clogging the pump and damaging the shaft seal, do not pump water containing solids, foreign material, sand, silt, or abrasives. Always have the suction strainer installed when the pump is operating. Failure to use a strainer may cause the pump to fail and void the warranty.
- ◆ Clean the strainer and flush out the pump after each use. Make sure all of the hose and pipe connections in the suction line are tight. An air leak in the suction line will prevent the pump from priming and reduce pump performance.
- ◆ To prevent damage to pump materials, do not use pipe joint compounds on pump ports. Use only PTFE pipe thread sealant tape to seal the threads.
- ◆ Tighten all of the piping joints to the pump hand tight +1½ turns only. Over-tightening may break the pump and will void the warranty.
- ◆ Do not allow the pump or any system component to freeze. Freezing will void the warranty.
- ◆ Periodically inspect the pump and the system components.

## INSTALLATION: PRIMING THE PUMP

'Priming' refers to the pump expelling all air in the system and beginning to move water from its source into the system. It does not refer only to pouring water into the pump (although pouring water in is usually the first step).

All suction connections must be airtight. Make sure the suction lift is not more than 25 feet (7.6M).

**⚠ CAUTION RISK OF BURNS. NEVER** run the pump dry.

Running the pump without water may cause pump to overheat, damaging seal and possibly causing burns to persons handling the pump. Running pump without water can damage the impeller and may damage the seal, causing leaking or flooding, and will void the warranty. Fill the pump with water before starting it.

Follow the steps below:

1. Remove the priming plug.
2. Make sure the suction and the discharge valves and any hoses on the discharge side of the pump are open.
3. Fill the pump and suction pipe with water
4. Replace the priming plug, using Teflon tape on the thread; tighten the plug. If a priming tee and plug have been provided for a long horizontal run, be sure to fill the suction pipe through this tee and replace the plug. (Use Teflon tape on the plug.)

5. Start the pump; water should be produced in 10 minutes or less. The time will depend on the depth to water. If no water is produced within 10 minutes, stop the pump, release all the pressure, remove the priming plug, refill the ports and pipe and try again.

## PUMPING FROM LAKES, STREAMS, AND PONDS

Locate the pump as near as possible (vertically) to the water source, to keep the suction lift (distance from the water to the pump) as low as possible. Place the pump on level support. Protect against excess moisture and flooding.

Long pipe runs and many fittings increase friction and reduce flow. Use the smallest possible number of fittings and the shortest possible run for piping.

Support the weight of the pipe.

Be sure the water is clear of debris which can clog the pump, such as sand, dirt, or scale. Be sure the foot valve and the pipe are clean and in good condition; scale or dirt in the foot valve can cause the valve to leak. Valve leakage may cause the pump to lose its prime, which can result in pump failure.

## PIPING

Both the suction and discharge ports are tapped for 1" MNPT threads. If using hoses, use a hose adapter. See Figure 1. Do not use a hose on the suction if pumping from lakes, streams or ponds. The hose will collapse and cause pump failure. Install a strainer with the foot valve on the end of the suction line. Inspect and clean the strainer frequently (Figure 1).

An air leak in the suction pipe may draw air in although no water leaks out. Make sure there are no air leaks or air pockets in the suction pipe.

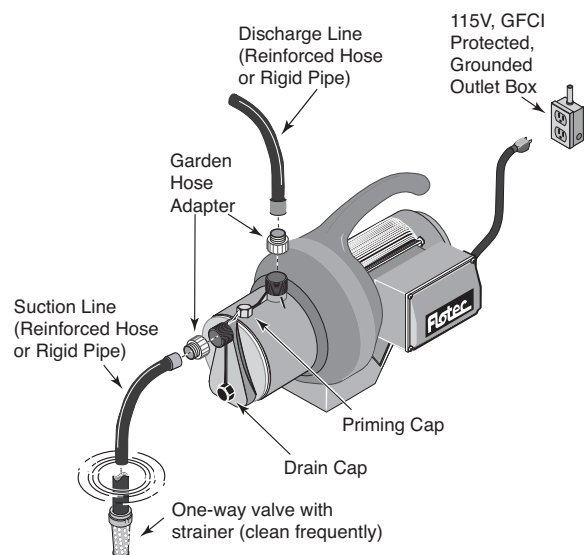


Figure 1 – Typical Installation

# INSTALLATION & OPERATION

## BOOSTING CITY WATER PRESSURE

**⚠ WARNING** RISK OF EXPLOSION. HAZARDOUS PRESSURE.

- ◆ When using a garden hose as a discharge line, do not run the pump with the hose outlet or the nozzle closed. The hose or the nozzle may burst from excessive pressure. See Figure 2.

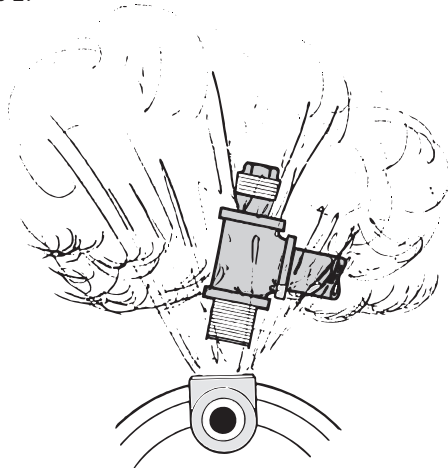


Figure 2 – Do Not Run Pump With Outlet Shut Off

- ◆ When using the pump as a high-pressure washer, use only reinforced high pressure hose or pipe for the discharge line.
- ◆ When using a garden hose, install adapters on the pump suction and the discharge. The suction hose will require two female ends. Use a standard washing machine supply hose as a suction line (Figure 1).

## LAWN SPRINKLING APPLICATION

Connect the suction hose to the faucet on the outside of the house (Figure 3) and to the pump suction. Use a standard garden hose for discharge. The pump can supply up to 3-4 sprinklers (depending on GPM output of the sprinklers).

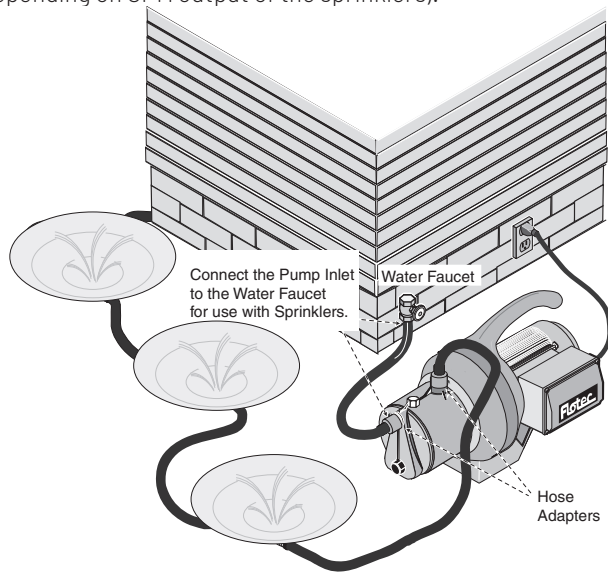


Figure 3 – Sprinkler Installation

## ELECTRICAL

**⚠ WARNING** RISK OF ELECTRIC SHOCK. CAN SHOCK, BURN OR KILL.

- ◆ Plug the pump into a 115 Volt, 60 Cycle, Ground Fault Circuit Interrupter (GFCI) protected grounded outlet only.
- ◆ The pump is equipped with a 3-wire, grounded, cord and plug. Do not modify or remove the plug.
- ◆ Make sure the pump circuit meets the National Electrical Code (in USA) or the Canadian Electrical Code (in Canada).
- ◆ To avoid dangerous electrical shock hazard, keep the cord dry at all times.
- ◆ If using an extension cord, use the table below to size the extension cord.

## LUBRICATION

- ◆ The motor is lubricated at the factory for the life of the bearings.
- ◆ The pump seal is water cooled and self lubricating.

## PUMP SERVICE

**⚠ WARNING** RISK OF ELECTRIC SHOCK. CAN SHOCK, BURN OR KILL.

- ◆ Unplug the pump before servicing it.
- ◆ Do not handle the pump or attempt to work on the pump with wet hands or while standing on a wet or damp floor.
- ◆ The motor has an auto-reset thermal overload protector. If the motor overheats, the overload will cut off the power to prevent damage and will reset after the motor cools. If the overload trips repeatedly, check the pump for the cause (low voltage, a clogged impeller, etc.).

# PERFORMANCE / TROUBLESHOOTING

## PERFORMANCE

GPM (LPM) AT TOTAL FEET OF LIFT (m)					
MODEL	5' (1.5 m)	10' (3 m)	15' (4.6 m)	20' (6.1 m)	125' (7.6 m)
FP5112	6.1(23)	5.1(19.3)	4.2(15.9)	3.9(14.8)	3.0(11.4)

(\*) All performances shown are at 30 PSI discharge pressure.

## TROUBLESHOOTING

SYMPTOM	POSSIBLE CAUSE(S)	CORRECTIVE ACTION
Motor will not run.	Fuse is blown or circuit breaker tripped.	DISCONNECT POWER. Replace fuse or reset circuit breaker.
Motor runs hot and overload kicks off or motor does not run and only hums.	Voltage is too low.	Check voltage being supplied to pump.
Motor runs but no water is delivered. <b>Note:</b> Stop pump. Check prime before looking for other causes. Unscrew priming plug and see if water is in priming hole.	Newly installed pump did not pick up a prime through: <ol style="list-style-type: none"> <li>1. Improper priming,</li> <li>2. Air leaks,</li> <li>3. Leaking foot valve,</li> <li>4. Pipe size too small.</li> </ol> Existing pump lost prime through: <ol style="list-style-type: none"> <li>1. Air leaks,</li> <li>2. Water level below suction pipe inlet.</li> </ol> Either status: <ol style="list-style-type: none"> <li>1. Impeller is plugged.</li> <li>2. Foot valve is stuck shut.</li> <li>3. Pipes are frozen.</li> <li>4. Foot valve and/or strainer are buried in sand or mud.</li> </ol>	New installation: <ol style="list-style-type: none"> <li>1. Re-prime according to instructions.</li> <li>2. Check all connections on suction line, with soapy water or shaving cream.</li> <li>3. Replace foot valve.</li> <li>4. Re-pipe using pipe the same size as suction and discharge ports on pump.</li> </ol> Existing installation: <ol style="list-style-type: none"> <li>1. Check all connections on suction line and shaft seal with soapy water.</li> <li>2. Lower suction line into water and re-prime. If the water level is more than 25'(7.6M) below the pump, a deep well pump is needed.</li> </ol> Either status: <ol style="list-style-type: none"> <li>1. Clean foot valve and strainer.</li> <li>2. Replace the foot valve.</li> <li>3. Thaw pipes.</li> <li>4. Raise foot valve and/or strainer above bottom of water source. Clean foot valve and strainer.</li> </ol>
Pump does not delivery water to full capacity.	<ol style="list-style-type: none"> <li>1. Water being pumped is lower than estimated.</li> <li>2. Corroded pipes or hoses</li> <li>3. Piping is too small in size</li> <li>4. Pump not being supplied with enough water.</li> </ol>	<ol style="list-style-type: none"> <li>1. A deep well jet will be needed if your well is more than 25'(7.6M) depth to water.</li> <li>2. Replace with plastic or new steel pipe</li> <li>3. Re-pipe using pipe the same size as suction and discharge ports on pump.</li> <li>4. Inlet pipe is too small</li> </ol>



## LIMITED WARRANTY

This Limited Warranty is effective July 11, 2019 and replaces all undated warranties and warranties dated before July 11, 2019.

Pentair Flotec\* warrants to the original consumer purchaser ("Purchaser" or "You") that its products are free from defects in material and workmanship for a period of twelve (12) months from the date of the original consumer purchase. If, within twelve (12) months from the original consumer purchase, any such product shall prove to be defective, it shall be repaired or replaced at Pentair Flotec's option, subject to the terms and conditions set forth herein. Note that this limited warranty applies to manufacturing defects only and not to ordinary wear and tear. All mechanical devices need periodic parts and service to perform well. This limited warranty does not cover repair when normal use has exhausted the life of a part or the equipment.

The original purchase receipt and product warranty information label are required to determine warranty eligibility. Eligibility is based on purchase date of original product - not the date of replacement under warranty. The warranty is limited to repair or replacement of original purchased product only, not replacement product (i.e. one warranty replacement allowed per purchase). Purchaser pays all removal, installation, labor, shipping, and incidental charges.

Claims made under this warranty shall be made by returning the product (except sewage pumps, see below) to the retail outlet where it was purchased immediately after the discovery of any alleged defect. Pentair Flotec will subsequently take corrective action as promptly as reasonably possible. No requests for service will be accepted if received more than 30 days after the warranty expires.

Warranty is not transferable and does not apply to products used in commercial/rental applications.

For parts or troubleshooting assistance, DO NOT return product to your retail store - contact Pentair Flotec Customer Service at 1-800-365-6832.

### SEWAGE PUMPS

DO NOT return a sewage pump (that has been installed) to your retail store. Sewage pumps that have seen service and been removed carry a contamination hazard with them.

If your sewage pump has failed:

- ◆ Wear rubber gloves when handling the pump;
- ◆ For warranty purposes, return the pump's cord tag and original receipt of purchase to the retail store;
- ◆ Dispose of the pump according to local disposal ordinances.

Contact Pentair Flotec Customer Service at 1-800-365-6832.

### EXCEPTIONS TO THE TWELVE (12) MONTH LIMITED WARRANTY

PRODUCT	WARRANTY PERIOD
Parts20* (Parts & Accessories), FP0F360AC, FP0FDC	90 days
FP0S1775A, FP0S4100X, FPPSS3000, FPCC5030, FPCI3350, FPCI5050, FPDC30	2 Years
FPSC1725X, FPSE3601A, FPSC3350A, FPZT7300, FPZT7350, FPZT7450, FPZT7550	2 Years
FP7100/FP7400 Series Pressure Tanks, E3305TLT, E3375TLT, E5005TLTT, E50TLT, E50VLT, E75STVT, E75VLT, FPSE9000, FPSE9050	5 Years

### GENERAL TERMS AND CONDITIONS; LIMITATION OF REMEDIES

You must pay all labor and shipping charges necessary to replace product covered by this warranty. This warranty does not apply to the following: (1) acts of God; (2) products which, in the sole judgment of Pentair Flotec, have been subject to negligence, abuse, accident, misapplication, tampering, or alteration; (3) failures due to improper installation, operation, maintenance or storage; (4) atypical or unapproved application, use or service; (5) failures caused by corrosion, rust or other foreign materials in the system, or operation at pressures in excess of recommended maximums.

This warranty sets forth the sole obligation of Pentair Flotec, and purchaser's exclusive remedy for defective products.

PENTAIR FLOTEC SHALL NOT BE LIABLE FOR ANY CONSEQUENTIAL, INCIDENTAL, OR CONTINGENT DAMAGES WHATSOEVER.

THE FOREGOING WARRANTIES ARE EXCLUSIVE AND IN LIEU OF ALL OTHER EXPRESS AND IMPLIED WARRANTIES, INCLUDING BUT NOT LIMITED TO THE IMPLIED WARRANTIES OF MERCHANTABILITY AND FITNESS FOR A PARTICULAR PURPOSE. THE FOREGOING WARRANTIES SHALL NOT EXTEND BEYOND THE DURATION PROVIDED HEREIN.

Some states do not allow the exclusion or limitation of incidental or consequential damages or limitations on how long an implied warranty lasts, so the above limitations or exclusions may not apply to You. This warranty gives You specific legal rights and You may also have other rights which vary from state to state.

(3/10/2022)



293 Wright Street  
Delavan, WI 53115  
Ph: 800.365.6832  
Fx: 800-526-3757

[pentair.com](http://pentair.com)

All indicated Pentair trademarks and logos are property of Pentair. Third party registered and unregistered trademarks and logos are the property of their respective owners. Because we are continuously improving our products and services, Pentair reserves the right to change specifications without prior notice. Pentair is an equal opportunity employer.

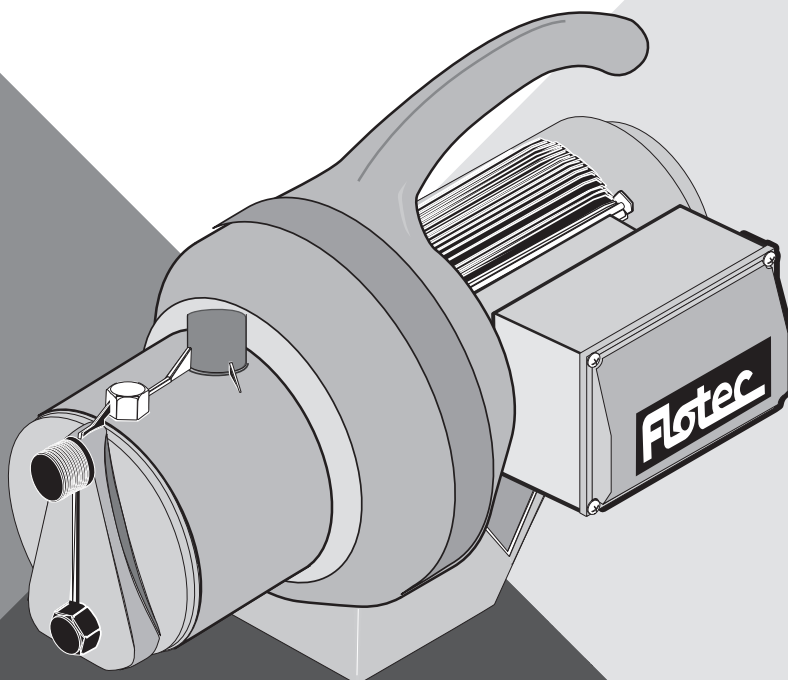
©2023 Pentair. All Rights Reserved.

FP324 (07-01-23)



# POMPE UTILITAIRE ET DE TRANSFERT PORTABLE

MODÈLE FP5112



## MANUEL D'INSTALLATION ET D'UTILISATION

[pentair.com](http://pentair.com)


# TABLE DES MATIÈRES


---


CONSIGNES DE SÉCURITÉ .....	11
INSTALLATION ET FONCTIONNEMENT .....	12
PERFORMANCE .....	14
DÉPANNAGE .....	14
NOMENCLATURE DES PIÈCES .....	15
GARANTIE .....	16


# CONSIGNES DE SÉCURITÉ

## SYMBOLES DE SÉCURITÉ

 Ceci est le symbole d'alerte de sécurité. Si vous voyez ce symbole sur votre pompe ou dans ce manuel, cherchez l'un des mots d'avertissement ci-dessous et soyez attentif aux risques de blessures corporelles :


 **DANGER** signale un danger qui provoquera la mort, des blessures corporelles graves ou des dommages matériels importants, s'il est ignoré.

 **MISE EN GARDE** signale un danger qui peut provoquer la mort, des blessures corporelles graves ou des dommages matériels importants, s'il est ignoré.



 **ATTENTION** signale un danger qui provoquera ou peut provoquer des blessures corporelles légères ou des dommages matériels, s'il est ignoré.

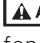
Le mot **REMARQUE** indique des instructions spéciales importantes, mais non liées aux dangers.

## AVERTISSEMENT CONCERNANT LA PROPOSITION 65 DE LA CALIFORNIE


 **MISE EN GARDE** Ce produit et les accessoires connexes contiennent des produits chimiques considérés par l'État de la Californie comme pouvant causer le cancer, des anomalies congénitales ou d'autres problèmes liés au système reproducteur.

## SÉCURITÉ GÉNÉRALE

1. Lire attentivement et suivre toutes les instructions de sécurité se trouvant dans le présent guide et sur l'unité elle-même.
2. Suivre tous les codes et règlements locaux et nationaux applicables.
3.  **MISE EN GARDE** **RISQUE D'EXPLOSION. PRESSION DANGEREUSE.** Le corps de la pompe peut exploser si elle est utilisée comme pompe de surpression, sauf si une soupape de décharge capable de permettre le passage du plein débit de la pompe à 75 psi (517 kPa) est installée.
4.  **MISE EN GARDE** **RISQUE D'INCENDIE ET D'EXPLOSION. PEUT CAUSER DES BLESSURES GRAVES, DES DOMMAGES MATÉRIELS OU LA MORT.** Pour éviter tout risque d'incendie et d'explosion, utiliser cette pompe uniquement pour pomper de l'eau. Ne pas utiliser cette pompe dans une atmosphère susceptible de contenir des fumées ou des vapeurs inflammables.

5.  **ATTENTION** **RISQUE DE BRÛLURES.** Ne jamais faire fonctionner la pompe à sec. Cela risque d'endommager les pièces internes, de faire surchauffer la pompe (ce qui peut provoquer des brûlures chez les personnes qui la manipulent ou l'entretiennent) et d'annuler la garantie.
6. L'eau risque de se transformer en vapeur si elle reste emprisonnée dans la pompe pendant qu'elle fonctionne. Cette vapeur risque de causer une explosion et des brûlures. Ne jamais faire fonctionner la pompe si son refoulement (sa sortie) est fermé ou obstrué.
7. Ne pas toucher un moteur en marche. Les moteurs modernes peuvent fonctionner à une température élevée. Pour éviter les brûlures lors de l'entretien de la pompe, il est conseillé de la laisser refroidir pendant 20 minutes après son arrêt avant de la manipuler.

## SÉCURITÉ ÉLECTRIQUE

1.  **MISE EN GARDE** **RISQUE DE DÉCHARGE ÉLECTRIQUE. PEUT CAUSER UNE DÉCHARGE ÉLECTRIQUE, DES BRÛLURES OU LA MORT.** La pompe est fournie avec un cordon de mise à la terre à trois conducteurs. Le brancher uniquement sur une prise de courant correctement mise à la terre et protégée par un disjoncteur de fuite de terre.
2. Ne pas soulever la pompe par le cordon électrique.
3. Débrancher la pompe avant de procéder à l'entretien et couper l'alimentation avant de travailler sur la pompe, le moteur ou le réservoir.
4. La pompe n'est pas submersible. Garder le moteur sec en tout temps. Ne pas laver le moteur. Ne pas l'immerger. Protéger le moteur de la pluie.
5. En cas d'utilisation d'une rallonge, n'utiliser qu'un cordon intérieur/extérieur approuvé UL, à trois fils, avec mise à la terre. Ne laisser aucune partie du cordon ou de l'extrémité de la prise reposer dans l'eau ou dans des endroits humides.
6. Débrancher la pompe avant d'effectuer l'entretien. Pour éviter les chocs mortels, procéder comme suit si la pompe doit être réparée.
7. Débrancher l'alimentation électrique de la boîte de sortie de la pompe avant de retirer la fiche de la pompe. Après avoir coupé l'alimentation électrique, et avant de procéder à l'entretien de la pompe, la laisser refroidir pendant au moins 20 minutes.
8. Être extrêmement prudent lors du changement des fusibles. Pour minimiser les possibilités d'électrocution mortelles, NE PAS se tenir dans l'eau ni insérer un doigt dans la prise du fusible.
9. Boîte de sortie électrique mise à la terre.

# INSTALLATION ET FONCTIONNEMENT

## AVANT L'INSTALLATION

- ◆ Ne pomper que de l'eau propre avec cette unité. Cette pompe n'est pas conçue pour être utilisée avec de l'eau salée ou de la saumure! L'utilisation avec de l'eau salée ou de la saumure annulera la garantie.
- ◆ Pour éviter de boucher la pompe et d'endommager le joint d'arbre, ne pas pomper d'eau contenant des solides, des matières étrangères, du sable, du limon ou des abrasifs. La crépine d'aspiration doit toujours être installée lorsque la pompe fonctionne. Si aucune crépine n'est utilisée, la pompe risque de tomber en panne et la garantie sera annulée.
- ◆ Nettoyer la crépine et rincer la pompe après chaque utilisation. S'assurer que tous les raccords de boyaux et de conduites de la ligne d'aspiration sont bien serrés. Une fuite d'air dans la conduite d'aspiration empêchera la pompe de s'amorcer et réduira son efficacité.
- ◆ Pour éviter d'endommager les matériaux de la pompe, ne pas utiliser de pâte à joint sur les orifices de la pompe. Utiliser seulement un ruban d'étanchéité pour filetage de tuyau en PTFE pour sceller les filetages.
- ◆ Serrer à la main tous les raccords de tuyauterie à la pompe en effectuant seulement un tour et demi. Un serrage excessif risque de briser la pompe et d'annuler la garantie.
- ◆ Ne pas laisser geler la pompe ou tout autre composant du système. Cela annulera la garantie.
- ◆ Inspecter régulièrement les composants de la pompe et du système.

## INSTALLATION : AMORÇAGE DE LA POMPE

L'amorçage est le moment où la pompe fait sortir tout l'air du système et commence à déplacer l'eau de la source au système. Il ne fait pas seulement référence à l'ajout d'eau dans la pompe (même si c'est habituellement la première étape).

Tous les raccords d'aspiration doivent être étanches. S'assurer que la hauteur d'aspiration ne dépasse pas 7,6 m (25 pieds).

**⚠ ATTENTION RISQUE DE BRÛLURES. NE JAMAIS** faire fonctionner la pompe à sec. Faire fonctionner la pompe sans eau peut entraîner une surchauffe de la pompe, endommager le joint et causer des brûlures aux personnes qui manipulent la pompe. Faire fonctionner la pompe sans eau peut endommager l'impulseur et le joint d'étanchéité, provoquant des fuites ou une inondation, et annulera la garantie. Remplir la pompe avec de l'eau avant de la démarrer.

Suivre les étapes suivantes :

1. Retirer le bouchon d'amorçage.
2. S'assurer que les soupapes d'aspiration et de refoulement et tous les boyaux installés du côté refoulement de la pompe sont ouverts.
3. Remplir la pompe et le tuyau d'aspiration d'eau.
4. Remettre le bouchon d'amorçage en place, en utilisant du ruban téflon sur le filetage; serrer le bouchon. Si un té d'amorçage et un bouchon ont été prévus pour un long parcours horizontal, veiller à remplir le tuyau d'aspiration à travers ce té et à replacer le bouchon. (Utiliser du ruban adhésif en téflon sur la prise).

5. Démarrer la pompe; l'eau devrait remonter dans les 10 minutes ou moins. La durée dépendra de la profondeur de l'eau. S'il n'y a pas d'eau dans les 10 minutes, arrêter la pompe, relâcher toute la pression, retirer le bouchon d'amorçage, remplir les orifices et le tuyau et essayer à nouveau.

## POMPAGE DANS LES LACS, LES COURS D'EAU ET LES ÉTANGS

Placer la pompe aussi près que possible (verticalement) de la source d'eau, afin de maintenir la hauteur d'aspiration (distance entre l'eau et la pompe) aussi basse que possible. Placer la pompe sur un support plat. Protéger contre l'humidité excessive et les inondations.

Les tuyaux plus longs et plusieurs raccords augmentent la friction et réduisent le débit. Utiliser le plus petit nombre possible de raccords et le parcours le plus court possible pour la tuyauterie.

Soutenir le poids de la tuyauterie.

Veiller à ce que l'eau ne contienne pas de débris susceptibles d'obstruer la pompe, tels que du sable, de la saleté ou du tartre. S'assurer que le clapet de pied et le tuyau sont propres et en bon état; la présence de tartre ou de saletés dans le clapet de pied peut entraîner une fuite du clapet. Une fuite au niveau de la soupape peut entraîner une perte d'amorçage de la pompe, qui peut alors tomber en panne.

## TUYAUTERIE

Les orifices d'aspiration et de refoulement sont taraudés pour un filetage de 1 po MNPT. En cas d'utilisation de boyaux, utiliser un adaptateur de boyau. Voir la figure 1. Ne pas utiliser de boyau sur l'aspiration en cas de pompage d'eau à partir de lacs, de cours d'eau ou d'étangs. Le boyau s'affaissera et provoquera une défaillance de la pompe. Installer une crépine avec le clapet de pied à l'extrémité de la conduite d'aspiration. Inspecter et nettoyer fréquemment la crépine (figure 1).

Une fuite d'air dans le tuyau d'aspiration peut aspirer de l'air sans qu'il n'y ait de fuite d'eau. S'assurer qu'il n'y a pas de poches d'air ou de fuites dans le tuyau d'aspiration.

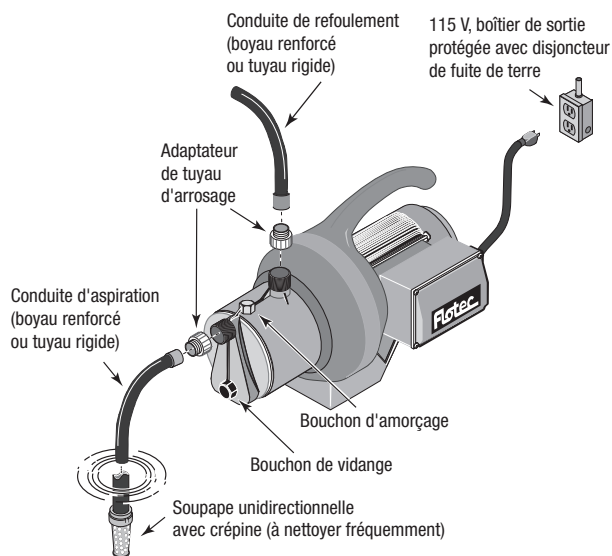


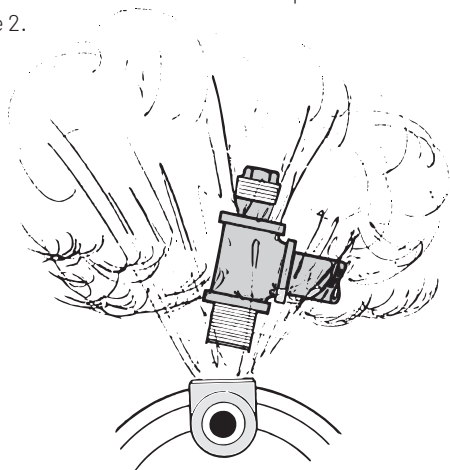
Figure 1 – Installation classique

# INSTALLATION ET FONCTIONNEMENT

## AUGMENTATION DE LA PRESSION DE L'EAU DE VILLE

**MISE EN GARDE** RISQUE D'EXPLOSION. PRESSION DANGEREUSE.

- ◆ En cas d'utilisation d'un boyau d'arrosage comme conduite de refoulement, ne pas faire fonctionner la pompe lorsque la sortie du boyau ou l'embout est fermé. Le boyau ou la buse risquent d'éclater sous l'effet d'une pression excessive. Voir Figure 2.

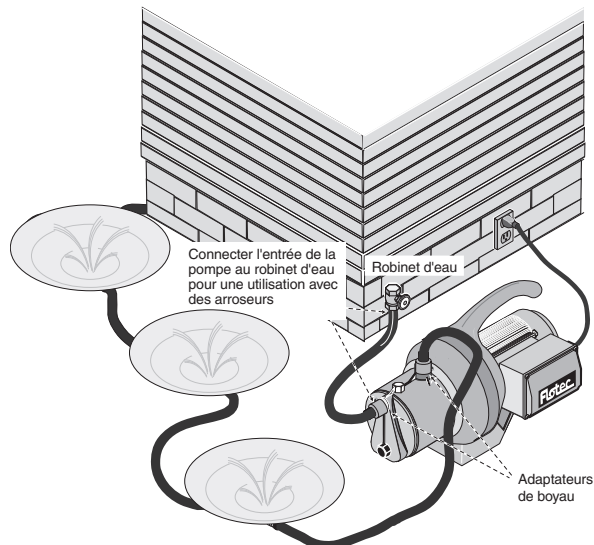


**FIGURE 2 – Ne pas faire fonctionner la pompe si la sortie est fermée**

- ◆ Lorsque la pompe est utilisée comme nettoyeur haute pression, n'utiliser que des boyaux ou des tuyaux haute pression renforcés pour la conduite de refoulement.
- ◆ En cas d'utilisation d'un boyau d'arrosage, installer des adaptateurs sur l'aspiration de la pompe et le refoulement de la pompe. Le boyau d'aspiration nécessitera deux extrémités femelles. Utiliser un boyau d'alimentation standard de machine à laver comme conduite d'aspiration (figure 1).

## ARROSAGE DE PELOUSE

Raccorder le boyau d'aspiration au robinet situé à l'extérieur de la maison (figure 3) et à l'aspiration de la pompe. Utiliser un boyau d'arrosage standard pour l'évacuation. La pompe peut alimenter jusqu'à 3-4 arroseurs (en fonction du débit en gal/min des arroseurs).



**Figure 3 – Installation des arroseurs**

## ÉLECTRICITÉ

**MISE EN GARDE** RISQUE DE DÉCHARGE ÉLECTRIQUE. PEUT CAUSER UNE DÉCHARGE ÉLECTRIQUE, DES BRÛLURES OU LA MORT.

- ◆ Brancher la pompe uniquement sur une prise de courant de 115 volts, 60 cycles, protégée par un disjoncteur de fuite à la terre.
- ◆ La pompe est équipée d'un cordon et d'une fiche à trois fils avec mise à la terre. Ne pas modifier ou retirer la fiche.
- ◆ S'assurer que le circuit de la pompe est conforme au Code national de l'électricité (aux États-Unis) ou au Code canadien de l'électricité (au Canada).
- ◆ Pour éviter tout risque de décharge électrique, garder le cordon au sec en tout temps.
- ◆ En cas d'utilisation d'une rallonge, utiliser le tableau ci-dessous pour dimensionner la rallonge.

## LUBRIFICATION

- ◆ Le moteur est lubrifié en usine pour la durée de vie des roulements.
- ◆ Le joint de la pompe est refroidi à l'eau en plus d'être autolubrifiant.

## ENTRETIEN DE LA POMPE

**MISE EN GARDE** RISQUE DE DÉCHARGE ÉLECTRIQUE. PEUT CAUSER UNE DÉCHARGE ÉLECTRIQUE, DES BRÛLURES OU LA MORT.

- ◆ Débrancher la pompe avant d'effectuer l'entretien.
- ◆ Ne pas manipuler la pompe et ne pas essayer de travailler sur la pompe avec des mains mouillées ou en vous tenant sur un sol mouillé ou humide.
- ◆ Le moteur est équipé d'un protecteur de surcharge thermique à réarmement automatique. Si le moteur surchauffe, la surcharge coupe l'alimentation pour éviter tout dommage et se réinitialise une fois le moteur refroidi. Si la surcharge se déclenche à plusieurs reprises, vérifier la pompe pour en trouver la cause (faible tension, impulseur bouché, etc.).

# PERFORMANCE/DÉPANNAGE

## PERFORMANCE

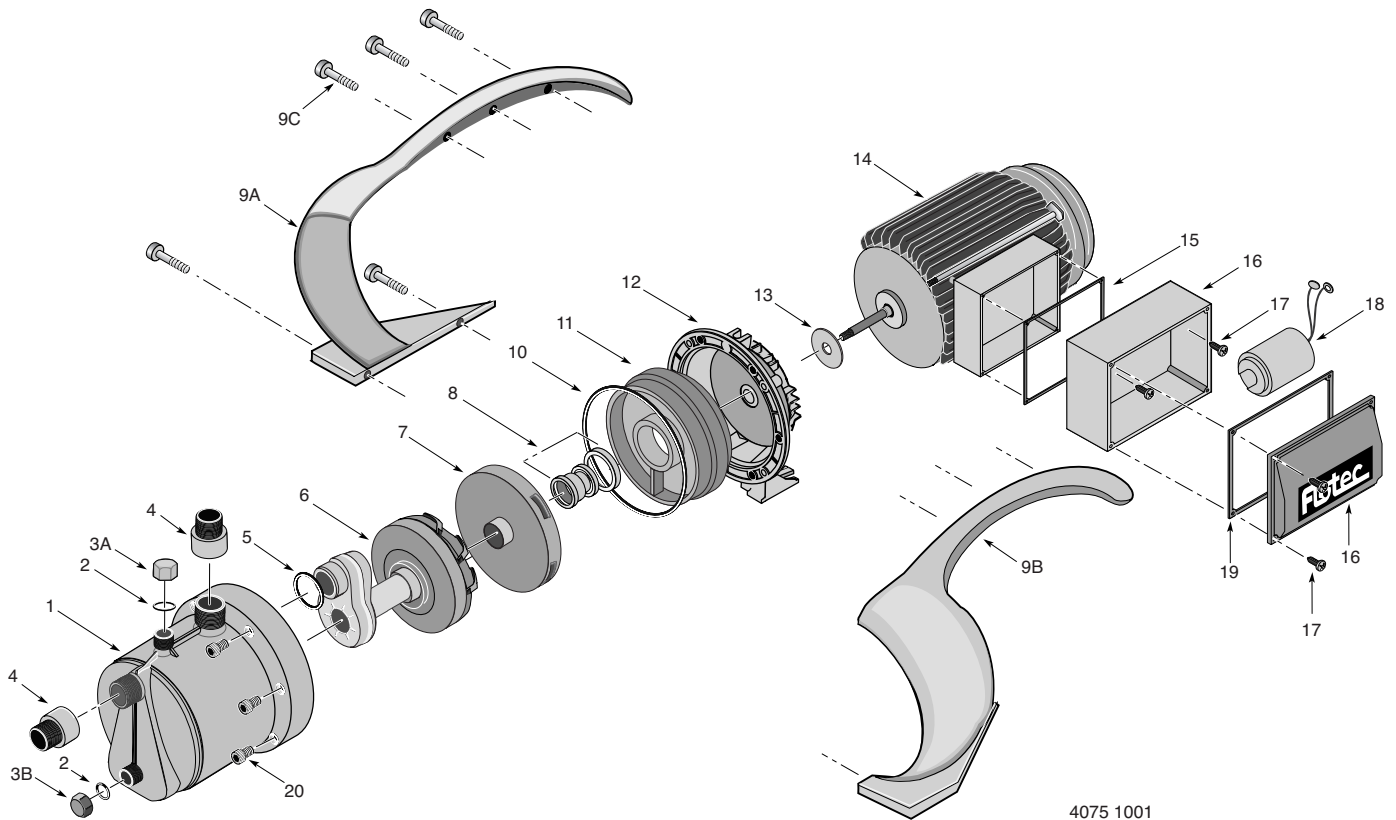
GAL/MIN (L/MIN) AU NOMBRE TOTAL DE PIEDS DE LEVAGE (m)					
MODÈLE	5 PI (1,5 m)	10 PI (3 m)	15 PI (4,6 m)	20 PI (6,1 m)	25 PI (7,6 m)
FP5112	6,1 (23)	5,1 (19,3)	4,2 (15,9)	3,9 (14,8)	3,0 (11,4)

(\*) Toutes les performances indiquées correspondent à une pression de refoulement de 30 psi.

## DÉPANNAGE

SYMPTÔME	CAUSE(S) POSSIBLE(S)	MESURE CORRECTIVE
Le moteur ne fonctionne pas.	Le fusible est grillé ou le disjoncteur s'est déclenché.	DÉBRANCHER L'ALIMENTATION. Remplacez le fusible ou réinitialisez le disjoncteur.
Le moteur chauffe et la surcharge se déclenche ou le moteur ne fonctionne pas et ne fait que vrombir.	La tension est trop faible.	Vérifier la tension fournie à la pompe.
Le moteur fonctionne, mais il n'y a pas d'eau. <b>Remarque :</b> Arrêter la pompe. Vérifiez l'amorçage avant de rechercher d'autres causes. Dévisser le bouchon d'amorçage et vérifier s'il y a de l'eau dans le trou d'amorçage.	L'amorçage de la pompe de la nouvelle installation n'a pas réussi en raison de : 1. Amorçage incorrect 2. Fuites d'air 3. Fuite dans le clapet de pied 4. La taille de tuyau est trop petite.  La pompe existante a perdu son amorçage à cause de : 1. Fuites d'air 2. Niveau d'eau inférieur à l'entrée du tuyau d'aspiration.  Un des suivants : 1. L'impulseur est branché. 2. Le clapet de pied est coincé. 3. Les tuyaux sont gelés. 4. Le clapet de pied et/ou la crépine sont recouverts de sable ou de boue.	Nouvelle installation : 1. Réamorcez selon les instructions. 2. Vérifier tous les raccords de la ligne d'aspiration avec de l'eau savonneuse ou de la mousse à raser. 3. Remplacez le clapet de pied. 4. Refaire la tuyauterie en utilisant un tuyau de la même taille que les orifices d'aspiration et de refoulement de la pompe.  Installation actuelle : 1. Vérifier tous les raccords sur la ligne d'aspiration et le joint d'étanchéité de l'arbre avec de l'eau savonneuse. 2. Descendez la ligne d'aspiration dans l'eau et réamorcez. Si le niveau de l'eau se situe à plus de 25 pi (7,6 m) au-dessous de la pompe, une pompe pour puits profond est nécessaire.  Un des suivants : 1. Nettoyez le clapet de pied et la crépine. 2. Remplacer le clapet de pied. 3. Faites dégeler les tuyaux. 4. Soulevez le clapet de pied et/ou la crépine au-dessus du fond de la source d'eau. Nettoyez le clapet de pied et la crépine.
La pompe ne fournit pas l'eau au maximum de sa capacité.	1. Le niveau d'eau dans le puits est plus bas que prévu. 2. Tuyauterie ou boyaux corrodés 3. La tuyauterie est de trop petite taille 4. La pompe n'est pas alimentée avec suffisamment d'eau.	1. Un jet de puits profond sera nécessaire si le puits se trouve à plus de 25 pi (7,6 m) de profondeur. 2. Remplacer par un tuyau en plastique ou par un tuyau en acier neuf. 3. Refaire la tuyauterie en utilisant un tuyau de la même taille que les orifices d'aspiration et de refoulement de la pompe. 4. Le tuyau d'entrée est trop petit.

# NOMENCLATURE DES PIÈCES



4075 1001

Numéro clé	Description pièce	Nombre utilisé	FP5112 1/2 HP
1	Corps de la pompe	1	101P3410
2	Joint torique, bouchon de tuyau	1	111P0710
3A	Bouchon d'amorçage	1	102P1030
3B	Bouchon de vidange	1	102P1030
4	Adaptateurs de boyaux	2	101P3460
5	Joint torique, buse	1	111P0480
6	Assemblage du diffuseur	1	101P2840
7	Impulseur	1	731S5700
8	Garniture mécanique	1	ZBR00010
9A	Poignée, côté droit	1	101P2080
9B	Poignée, côté gauche	1	101P2090
9C	Vis, poignée	5	121P1510
10	Joint torique, corps de la pompe	1	111P0700
11	Plaque d'étanchéité	1	101P1290
12	Support intermédiaire	1	731P0330
13	Défecteur d'eau	1	102P0540
14	Moteur	1	*
15	Joint d'étanchéité	1	111P1340
16	Boîtier du condensateur (y compris couvercle, joint d'étanchéité)	1	102P2830
17	Vis du boîtier du condensateur	8	121P2060
18	Condensateur	1	171P5620
19	Joint d'étanchéité du boîtier du condensateur	1	111P1350
20	Vis, corps de la pompe	6	121P1940

# GARANTIE LIMITÉE

La présente garantie limitée entre en vigueur le 11 juillet 2019 et remplace toutes les garanties non datées ainsi que les garanties antérieures à cette date.

Pentair Flotec\* garanti à l'acheteur consommateur initial (« l'acheteur » ou « vous ») que ses produits sont exempts de tout défaut de matériaux et de fabrication pendant une période de douze (12) mois à compter de la date de l'achat par le consommateur initial. Si, dans les douze (12) mois à compter de l'achat par le consommateur initial, un tel produit se révèle défectueux, il sera réparé ou remplacé au choix de Pentair Flotec, sous réserve des modalités énoncées dans les présentes. Veuillez noter que cette garantie limitée ne s'applique qu'aux défauts de fabrication, et non à l'usure normale. Tous les appareils mécaniques ont besoin de pièces de temps à autre et nécessitent un entretien périodique pour fonctionner correctement. Cette garantie limitée ne couvre pas la réparation lorsque l'utilisation normale a épuisé la vie utile d'une pièce ou de l'équipement.

Le reçu d'achat original et l'étiquette d'information sur la garantie du produit sont nécessaires pour déterminer l'admissibilité à la garantie. L'admissibilité dépend de la date d'achat initiale du produit d'origine, et non de la date de remplacement sous garantie. La garantie est limitée à la réparation ou au remplacement du produit d'origine acheté uniquement, pas au produit de remplacement. Autrement dit, un seul remplacement sous garantie est autorisé par achat. L'acheteur paie tous les frais d'enlèvement, d'installation, de main-d'œuvre, d'expédition et accessoires.

Les réclamations faites dans le cadre de cette garantie doivent être faites en retournant le produit (à l'exception des pompes à eaux usées, voir ci-dessous) au point de vente au détail où il a été acheté immédiatement après la découverte de tout défaut présumé. Pentair Flotec prendra par la suite des mesures correctives aussi rapidement que cela est raisonnablement possible. Aucune demande d'entretien ou de réparation ne sera acceptée si elle est reçue plus de 30 jours après l'expiration de la garantie.

Cette garantie n'est pas transférable et elle ne s'applique pas aux produits utilisés dans le cadre d'activités commerciales ou de location.

Pour obtenir des pièces ou une aide au dépannage, NE RETOURNEZ PAS le produit à votre magasin de détail. Contactez plutôt le service à la clientèle de Pentair Flotec au 1 800 365-6832.

## POMPES À EAUX USÉES

NE RETOURNEZ PAS une pompe à eaux usées (si celle-ci a été installée) à votre magasin de détail. Les pompes à eaux usées qui ont été utilisées puis retirées présentent un risque de contamination.

Si votre pompe à eaux usées est en panne :

- ◆ Portez des gants en caoutchouc lors de la manipulation de la pompe;
- ◆ À des fins de garantie, retournez l'étiquette du cordon de la pompe et le reçu d'achat original au magasin de détail;
- ◆ Mettez la pompe au rebut conformément aux règlements relatifs à l'élimination des déchets de votre région.

Communiquez avec le service à la clientèle de Pentair Flotec au 1 800 365-6832.

## EXCEPTIONS À LA GARANTIE LIMITÉE DE DOUZE (12) MOIS

PRODUIT	PÉRIODE DE GARANTIE
Pièces20* (pièces et accessoires), FPOF360AC, FPOFDC	90 jours
FP0S1775A, FP0S4100X, FPPSS3000, FPCC5030, FPCI3350, FPCI5050, FPDC30	2 ans
FPSC1725X, FPSE3601A, FPSC3350A, FPZT7300, FPZT7350, FPZT7450, FPZT7550	2 ans
Réservoirs sous pression des séries FP7100 et FP7400, E3305TLT, E3375TLT, E5005TLTT, E50TLT, E50VLT, E75STVT, E75VLT, FPSE9000, FPSE9050	5 ans

## CONDITIONS GÉNÉRALES; LIMITATION DES RECOURS

Vous devez payer tous les frais de main-d'œuvre et d'expédition nécessaires pour remplacer le produit protégé par cette garantie. Cette garantie ne s'applique pas aux éléments suivants : (1) les catastrophes naturelles; (2) les produits qui, du seul avis de Pentair Flotec, ont fait l'objet de négligence, d'abus, d'un accident, d'une utilisation inappropriée, de modifications ou d'altérations; (3) les défaillances dues à une installation, une utilisation, un entretien ou un entreposage inapproprié; (4) une application, une utilisation ou un service inhabituel ou non approuvé; (5) les défaillances causées par la corrosion, la rouille ou d'autres corps étrangers présents dans le système ou par une utilisation à des pressions dépassant les maximums recommandés.

Cette garantie définit la seule obligation de Pentair Flotec et le seul recours de l'acheteur en cas de produits défectueux. PENTAIR FLOTEC NE SERA TENUE RESPONSABLE D'AUCUN DOMMAGE CONSÉCUTIF, INDIRECT OU ACCESSOIRE, QUEL QU'IL SOIT.

LES GARANTIES QUI PRÉCÈDENT SONT LES SEULES GARANTIES OFFERTES ET ELLES REMPLACENT TOUTES LES AUTRES GARANTIES EXPRESSES ET IMPLICITES, Y COMPRIS, MAIS SANS S'Y LIMITER, LES GARANTIES IMPLICITES DE QUALITÉ MARCHANDE ET D'ADÉQUATION À UN USAGE PARTICULIER. LES GARANTIES QUI PRÉCÈDENT NE SERONT PAS PROLONGÉES AU-DELÀ DE LA PÉRIODE PRÉVUE DANS LES PRÉSENTES.

Certains États ou provinces n'autorisent pas d'exclure ou de limiter les dommages fortuits ou indirects ou de limiter la durée d'une garantie implicite; il se peut donc que les limitations ou exclusions ci-dessus ne s'appliquent pas à votre cas. Cette garantie vous donne des droits légaux spécifiques et vous pouvez également avoir d'autres droits qui varient d'un État ou d'une province à l'autre.

(10/03/2022)



293 Wright Street, pentair.com  
Delavan, WI 53115  
Tel. : 800 365-6832  
Télec. : 800 526-3757

Toutes les marques de commerce et tous les logos Pentair indiqués appartiennent à Pentair. Les marques de commerce et les logos déposés et non déposés de tiers appartiennent à leurs propriétaires respectifs. Comme Pentair cherche constamment à améliorer ses produits et ses services, elle se réserve le droit d'en modifier les spécifications sans préavis. Pentair est un employeur offrant l'accès à l'égalité en emploi.

© Pentair, 2023. Tous droits réservés.

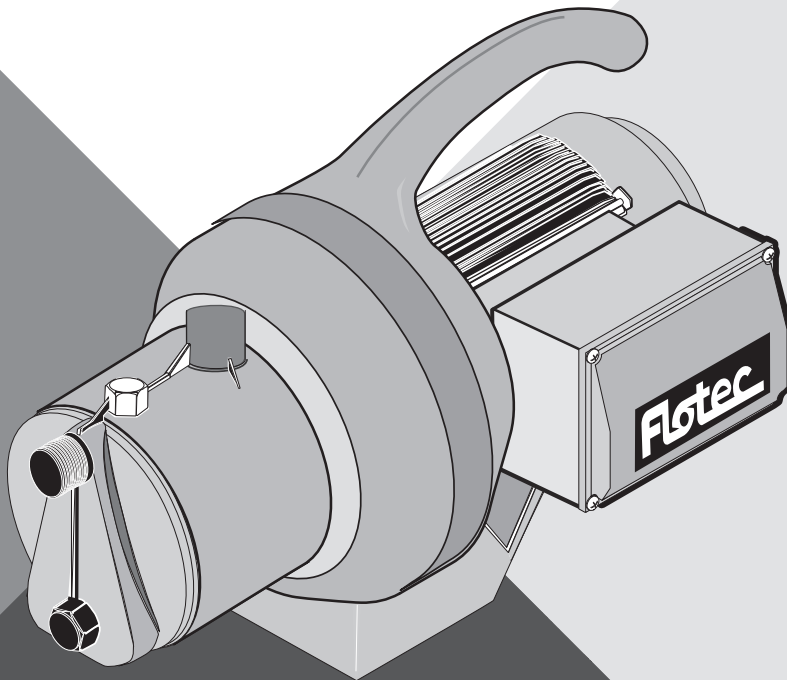
FP324 (01/07/23)





# BOMBA DE TRANSFERENCIA PORTÁTIL PARA TODO USO

MODELO FP5112



## MANUAL DE INSTALACIÓN Y FUNCIONAMIENTO

[pentair.com](http://pentair.com)

©2023 Pentair. Todos los derechos reservados.


# ÍNDICE


---


INSTRUCCIONES DE SEGURIDAD .....	19
INSTALACIÓN Y FUNCIONAMIENTO .....	20
DESEMPEÑO .....	22
RESOLUCIÓN DE PROBLEMAS .....	22
ÍNDICE DE PARTES .....	23
GARANTÍA .....	24


# INSTRUCCIONES DE SEGURIDAD

## SÍMBOLOS DE SEGURIDAD

 Este es el símbolo de alerta de seguridad. Cuando vea este símbolo en su bomba o en este manual, busque una de las siguientes palabras de aviso y preste atención a la posibilidad de sufrir lesiones personales:


 **PELIGRO** advierte sobre peligros que causarán lesiones personales graves, la muerte o daños importantes a la propiedad si se ignoran.

 **ADVERTENCIA** advierte sobre peligros que pueden causar lesiones personales graves, la muerte o daños importantes a la propiedad si se ignoran.




 **PRECAUCIÓN** advierte sobre peligros que causarán o que pueden causar lesiones personales o daños a la propiedad leves si se ignoran.

La palabra **AVISO** indica instrucciones especiales que son importantes pero no están relacionadas con peligros.

## ADVERTENCIA CONFORME A LA PROPUESTA 65 DE CALIFORNIA


 **ADVERTENCIA** Este producto y sus accesorios relacionados contienen productos químicos que en el Estado de California se sabe que causan cáncer, defectos congénitos y otros daños en el sistema reproductivo.

## SEGURIDAD GENERAL

1. Lea atentamente y siga todas las instrucciones de seguridad en este manual y en la unidad.
2. Respete todos los códigos y las regulaciones locales y estatales que corresponda.
3.  **ADVERTENCIA** **RIESGO DE EXPLOSIÓN. PRESIÓN PELIGROSA.** El cuerpo de la bomba puede explotar si se usa como bomba auxiliar a menos que se instale una válvula de alivio de presión capaz de pasar el flujo total de la bomba a 75 psi (517 kPa).
4.  **ADVERTENCIA** **RIESGO DE INCENDIO Y EXPLOSIÓN. PUEDE PROVOCAR UNA LESIÓN GRAVE, DAÑO A LA PROPIEDAD O MUERTE.** Para evitar el riesgo de incendio y explosión, con esta bomba solo bombee agua. No use esta bomba en una atmósfera que pueda contener humos o vapores inflamables.
5.  **PRECAUCIÓN** **RIESGO DE QUEMADURAS.** Nunca ponga en funcionamiento la bomba en seco. Si lo hiciera, se podrían dañar las partes internas, sobrecalentar la bomba (que puede causar quemaduras en las personas que están operando o realizando el servicio de mantenimiento de la bomba), y anulará la garantía.
6. Si el agua queda atrapada en la bomba durante el funcionamiento, podría convertirse en vapor. El vapor atrapado puede provocar una explosión y quemaduras. Nunca ponga en funcionamiento la bomba con la salida cerrada u obstruida.

7. No toque un motor en funcionamiento. Los motores modernos pueden funcionar a altas temperaturas. Para evitar quemaduras cuando realice el servicio de mantenimiento de la bomba, deje que se enfríe durante 20 minutos una vez apagada antes de manipularla.

## SEGURIDAD ELÉCTRICA

1.  **ADVERTENCIA** **RIESGO DE DESCARGA ELÉCTRICA. PUEDE ELECTROCUTAR, QUEMAR O CAUSAR LA MUERTE.** La bomba se suministra con un cable de 3 conductores con conexión a tierra. Conéctelo únicamente a un tomacorriente debidamente conectado a tierra y protegido por GFCI.
2. No levante la bomba por el cable eléctrico.
3. Desenchufe la bomba antes de hacerle servicio de mantenimiento y desconecte la alimentación antes de trabajar en la bomba, el motor o el tanque.
4. La bomba no es sumergible. Mantenga el motor seco en todo momento. No lave el motor. No lo sumerja. Proteja el motor del clima húmedo.
5. Si usa un cable de extensión, solo use un cable de 3 hilos con toma a tierra para interiores/exteriores aprobado por UL. No permita que ninguna parte del cable ni que ninguno de los extremos del receptáculo esté sobre agua o lugares mojados.
6. Desenchufe la bomba antes de hacerle servicio de mantenimiento. Para evitar choques eléctricos fatales, proceda de la siguiente manera si la bomba necesita servicio de mantenimiento.
7. Desconecte la corriente de la caja del tomacorriente de la bomba antes de desenchufarla. Después de que se desenchufó, deje enfriar la bomba durante 20 minutos antes de intentar trabajar en ella.
8. Tome medidas de cuidado extremas cuando cambie fusibles. Para reducir las probabilidades de una descarga eléctrica mortal, NO la coloque en el agua ni meta sus dedos en el enchufe de fusible.
9. Conecte a tierra la caja del tomacorriente.

# INSTALACIÓN Y FUNCIONAMIENTO

## ANTES DE LA INSTALACIÓN

- ◆ Con esta unidad solo bombee agua potable. Esta bomba no está diseñada para aplicaciones con agua salada o salmuera. El uso de agua salada o salmuera anula la garantía.
- ◆ Para evitar atascar la bomba y dañar la junta del eje, no bombee agua que contenga sólidos, materiales extraños, arena, limo o abrasivos. Tenga siempre instalada la trampa de pelos de succión cuando la bomba esté en funcionamiento. Si no se usa una trampa de pelos, la bomba puede averiarse e invalidar la garantía.
- ◆ Limpie la trampa de pelos y enjuague la bomba después de cada uso. Asegúrese de que todas las conexiones de mangueras y tuberías de la línea de succión estén bien apretadas. Una fuga de aire en la tubería de succión impedirá el cebado de la bomba y reducirá su rendimiento.
- ◆ Para evitar daños en los materiales de la bomba, no utilice compuestos para juntas de tuberías en los puertos de la bomba. Solo use cinta selladora de roscas de tuberías de PTFE para sellar las roscas.
- ◆ Apriete todas las uniones de las tuberías a la bomba a mano +1½ vueltas solamente. Un apriete excesivo puede romper la bomba y anulará la garantía.
- ◆ No permita que la bomba o cualquier componente del sistema se congele. El congelamiento anulará la garantía.
- ◆ Inspeccione periódicamente la bomba y los componentes del sistema.

## INSTALACIÓN: CEBADO DE LA BOMBA

El "cebado" se refiere a la expulsión de todo el aire en el sistema de la bomba y al comienzo del movimiento de agua desde la fuente hacia el interior del sistema. No se refiere solo a verter agua dentro de la bomba (aunque verter agua dentro de ella es usualmente el primer paso).

Todas las conexiones de succión deben ser herméticas. Asegúrese de que la altura de succión no sea superior a 25 pies (7.6 m).

**⚠ PRECAUCIÓN RIESGO DE QUEMADURAS. NUNCA** ponga en funcionamiento la bomba en seco. Hacer funcionar la bomba sin agua puede causar que la bomba se sobrecaliente, lo que dañará las juntas y posiblemente cause quemaduras a las personas que manipulan la bomba. Hacer funcionar la bomba sin agua puede dañar el impulsor y puede dañar la junta, lo que ocasionará fugas o inundaciones y anulará la garantía. Llene la bomba con agua antes de ponerla en marcha.

Siga los pasos a continuación:

1. Retire el tapón de cebado.
2. Asegúrese de que las válvulas de succión y de descarga, así como cualquier manguera del lado de descarga de la bomba, estén abiertas.
3. Llene con agua la bomba y la tubería de succión.
4. Vuelva a colocar el tapón de cebado utilizando cinta de teflón en la rosca; apriete el tapón. Si se proporcionó un conector en T de cebado y un tapón para un tramo largo horizontal, asegúrese de llenar la tubería de succión a través de este conector en T y vuelva a colocar el tapón. (Use cinta de teflón en el tapón).

5. Ponga en marcha la bomba; debe salir agua en 10 minutos o menos. El tiempo dependerá de la profundidad hasta el agua. Si no sale agua en 10 minutos, apague la bomba, alivie toda la presión, quite el tapón de cebado, vuelva a rellenar los puertos y la tubería e inténtelo de nuevo.

## BOMBEO DESDE LAGOS, ARROYOS Y ESTANQUES

Coloque la bomba lo más cerca posible (verticalmente) de la fuente de agua, para mantener la altura de succión (distancia del agua a la bomba) lo más baja posible. Coloque la bomba sobre un soporte nivelado. Debe estar protegida contra el exceso de humedad y las inundaciones.

Los tramos largos de tuberías y las numerosas conexiones aumentan la fricción y reducen el flujo. Use la menor cantidad posible de conexiones y el recorrido más corto posible para las tuberías.

Dé soporte al peso de la tubería.

Asegúrese de que el agua no contenga desechos que puedan obstruir la bomba, como arena, suciedad o cal. Asegúrese de que la válvula de pie y la tubería están limpias y en buen estado; la cal o la suciedad en la válvula de pie pueden provocar fugas en la válvula. Una fuga en la válvula puede hacer que la bomba pierda su cebado, lo que puede provocar el fallo de la bomba.

## TUBERÍA

Tanto los puertos de succión como de descarga están roscados a 1" MNPT. Si usa mangueras, use adaptador de manguera. Vea la Figura 1. No use una manguera en la succión si bombea desde lagos, arroyos o estanques. La manguera se colapsará y causará el fallo de la bomba. Instale una trampa de pelos con la válvula de pie en el extremo de la línea de succión. Inspeccione y limpie la trampa de pelos con frecuencia (Figura 1).

Una fuga de aire en la tubería de succión puede hacer que entre aire aunque no salga agua. Asegúrese de que no haya fugas ni bolsas de aire en la tubería de succión.

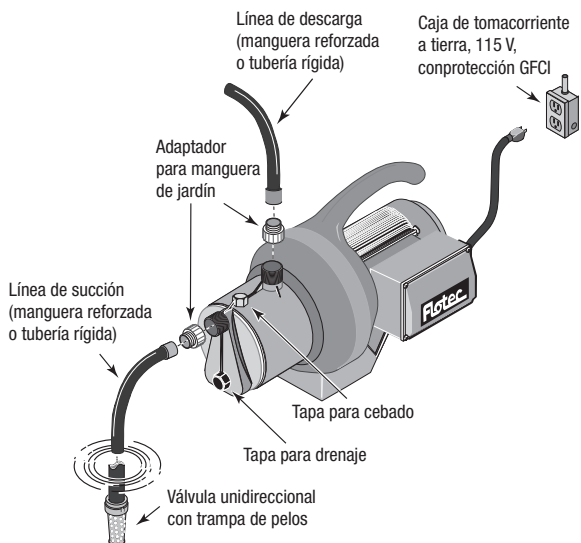


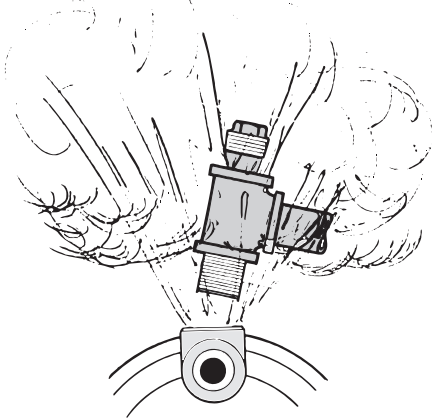
Figura 1 – Instalación típica

# INSTALACIÓN Y FUNCIONAMIENTO

## CÓMO AUMENTAR LA PRESIÓN DEL AGUA DEL SERVICIO PÚBLICO

**⚠ ADVERTENCIA** RIESGO DE EXPLOSIÓN. PRESIÓN PELIGROSA.

- ◆ Cuando use una manguera de jardín como línea de descarga, no haga funcionar la bomba con la salida de la manguera o la boquilla cerradas. La manguera o la boquilla podrían reventar por exceso de presión. Ver Figura 2.

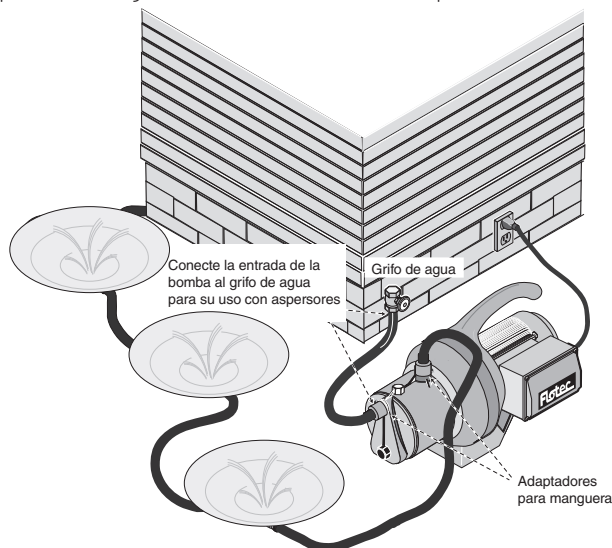


**Figura 2 - No ponga en funcionamiento la bomba con la salida cerrada**

- ◆ Cuando use la bomba como lavadora de alta presión, solo use una manguera o tubería reforzada de alta presión para la línea de descarga.
- ◆ Al usar una manguera de jardín, instale adaptadores en la succión y la descarga de la bomba. La manguera de succión requerirá dos extremos hembra. Use una manguera de suministro estándar de lavadora como línea de succión (Figura 1).

## APLICACIÓN EN ASPERSORES PARA CÉSPED

Conecte la manguera de succión al grifo del exterior de la vivienda (Figura 3) y a la succión de bomba. Use una manguera de jardín estándar para la descarga. La bomba puede suministrar hasta 3-4 aspersores (según la salida de GPM de los aspersores).



**Figura 3 - Instalación de aspersor**

## SISTEMA ELÉCTRICO

**⚠ ADVERTENCIA** RIESGO DE DESCARGA ELÉCTRICA. PUEDE PROVOCAR DESCARGAS ELÉCTRICAS, QUEMADURAS O LA MUERTE.

- ◆ Enchufe la bomba únicamente a un tomacorriente de 115 voltios, 60 ciclos y protegido por un interruptor de circuito por fallo a tierra (GFCI) con toma a tierra.
- ◆ La bomba está equipada con un cable y un enchufe de 3 hilos con toma a tierra. No modifique ni quite el enchufe.
- ◆ Asegúrese de que el circuito de la bomba cumpla con el Código Nacional de Electricidad (en EE. UU.) o con el Código Canadiense de Electricidad (en Canadá).
- ◆ Para evitar riesgos de descarga eléctrica peligrosa, mantenga el cable seco en todo momento.
- ◆ Si usa un cable de extensión, utilice la siguiente tabla para dimensionarlo.

## LUBRICACIÓN

- ◆ El motor viene lubricado de fábrica para garantizar la vida útil de los cojinetes.
- ◆ La junta de la bomba está refrigerada por agua y es autolubrificante.

## MANTENIMIENTO DE LA BOMBA

**⚠ ADVERTENCIA** RIESGO DE DESCARGA ELÉCTRICA. PUEDE PROVOCAR DESCARGAS ELÉCTRICAS, QUEMADURAS O LA MUERTE.

- ◆ Desenchufe la bomba antes de hacerle servicio de mantenimiento.
- ◆ No manipule la bomba, ni intente trabajar en ella, con las manos húmedas o mientras está parado sobre un piso húmedo o mojado.
- ◆ El motor tiene un protector contra sobrecarga térmica de reinicia automático. Si el motor se sobrecalienta, la sobrecarga cortará la alimentación para evitar daños y se restablecerá cuando el motor se enfríe. Si la sobrecarga salta repetidamente, verifique la causa (baja tensión, un impulsor obstruido, etc.).

# DESEMPEÑO/RESOLUCIÓN DE PROBLEMAS

## DESEMPEÑO

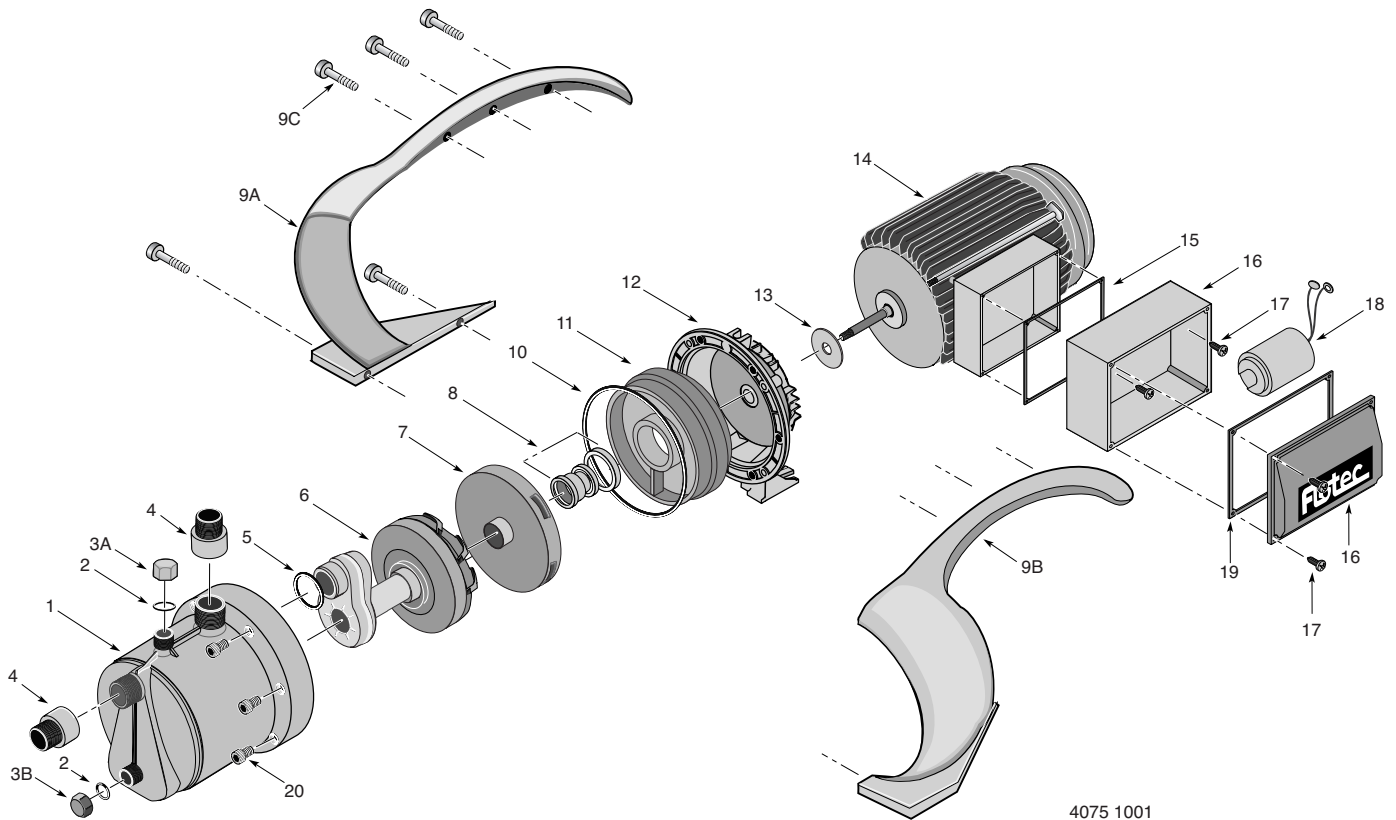
GPM (LPM) AL TOTAL DE PIES DE ELEVACIÓN (m)					
MODELO	5' (1.5 m)	10' (3 m)	15' (4.6 m)	20' (6.1 m)	125' (7.6 m)
FP5112	6.1(23)	5.1(19.3)	4.2(15.9)	3.9(14.8)	3.0(11.4)

(\*) Todos los desempeños que se muestran son a una presión de descarga de 30 PSI.

## RESOLUCIÓN DE PROBLEMAS

SÍNTOMA	POSIBLES CAUSAS	ACCIÓN CORRECTIVA
El motor no funciona.	Se quemó un fusible o se disparó el disyuntor.	DESCONECTE EL SUMINISTRO DE ENERGÍA. Reemplace el fusible o restablezca el disyuntor.
El motor se calienta y se activa la sobrecarga o el motor no funciona y solo zumba.	El voltaje es demasiado bajo.	Verifique el voltaje que se suministra a la bomba.
El motor funciona pero no sale agua. <b>Nota:</b> Detener bomba. Verifique el cebado antes de buscar otras causas. Desenrosque el tapón de cebado y vea si hay agua en el orificio de cebado.	La bomba recientemente instalada no pudo iniciar el cebado debido a: 1. Cebado incorrecto 2. Fugas de aire 3. La válvula de pie tiene fugas 4. Tamaño de tubería demasiado pequeño  La bomba existente perdió el cebado debido a: 1. Fugas de aire 2. Nivel de agua debajo de la entrada de la tubería de succión  Alguno de los dos estados: 1. El impulsor está obstruido. 2. La válvula de pie está atascada. 3. Las tuberías están congeladas. 4. La válvula de pie o la trampa de pelos está enterrada en arena o lodo.	Instalación nueva: 1. Vuelva a cebar siguiendo las instrucciones. 2. Revise todas las conexiones en la línea de succión, con agua jabonosa o espuma de afeitar. 3. Reemplace la válvula de pie. 4. Vuelva a colocar la tubería utilizando el mismo tamaño que los puertos de succión y descarga de la bomba.  Instalación existente: 1. Revise todas las conexiones en la línea de succión y la junta del eje con agua jabonosa. 2. Baje la línea de succión al agua y vuelva a cebar. Si el nivel de agua supera los 25 pies (7.6 m) por debajo de la bomba, se necesita una bomba de pozo profundo.  Alguno de los dos estados: 1. Limpie la válvula de pie o la criba. 2. Reemplace la válvula de pie. 3. Descongele las tuberías. 4. Levante la válvula de pie y/o la criba por encima del fondo de la fuente de agua. Limpie la válvula de pie o la criba.
La bomba no suministra agua a su máxima capacidad.	1. El caudal de agua que se bombea es inferior al estimado. 2. Tuberías o mangueras corroídas. 3. La tubería es demasiado pequeña 4. No se suministra la suficiente cantidad de agua a la bomba.	1. Se necesitará un chorro para pozo profundo si su pozo tiene más de 25 pies (7.6 m) de profundidad en el agua. 2. Reemplácelas por tuberías de plástico o de acero nuevas. 3. Vuelva a colocar la tubería utilizando el mismo tamaño que los puertos de succión y descarga de la bomba. 4. La entrada de la tubería es demasiado pequeña.

# ÍNDICE DE PARTES



4075 1001

N.º de Referencia	Descripción de la parte	N.º utilizado	FP5112 1/2 HP
1	Cuerpo de la bomba	1	101P3410
2	Junta tórica, tapón para tubería	1	111P0710
3A	Tapón de cebado	1	102P1030
3B	Tapón de drenaje	1	102P1030
4	Adaptadores para manguera	2	101P3460
5	Junta tórica, boquilla	1	111P0480
6	Ensamblaje de difusor	1	101P2840
7	Impulsor	1	731S5700
8	Sello mecánico	1	ZBR00010
9A	Manija, derecha	1	101P2080
9B	Manija, izquierda	1	101P2090
9C	Tornillos, manija	5	121P1510
10	Junta tórica, cuerpo de la bomba	1	111P0700
11	Placa de sellado	1	101P1290
12	Soporte intermedio	1	731P0330
13	Deflector de agua	1	102P0540
14	Motor	1	*
15	Junta	1	111P1340
16	Caja de condensador (incluye tapa, junta)	1	102P2830
17	Tornillo de caja de condensador	8	121P2060
18	Condensador	1	171P5620
19	Junta de tapa de condensador	1	111P1350
20	Tornillos, cuerpo de la bomba	6	121P1940

# GARANTÍA LIMITADA

Esta Garantía Limitada entra en vigencia el 11 de julio de 2019 y reemplaza a todas las garantías sin fecha y las garantías con fecha anterior al 11 de julio de 2019.

Pentair Flotec® garantiza al comprador consumidor original ("Comprador" o "Usted") que los productos estarán libres de defectos de material y mano de obra durante el período de doce (12) meses a partir de la fecha de la compra original del consumidor. Si, dentro de los doce (12) meses a partir de la fecha de la compra original del consumidor, alguno de dichos productos resultara defectuoso, Pentair Flotec tiene la opción de repararlo o reemplazarlo, de acuerdo con los términos y condiciones establecidos en la presente. Se debe tener en cuenta que esta garantía limitada cubre únicamente los defectos de fabricación, no los defectos producidos por el uso y desgaste. Todos los dispositivos mecánicos necesitan las partes correspondientes y servicios de mantenimiento periódicos para el buen funcionamiento. La garantía limitada no cubre la reparación cuando el uso habitual ha agotado la vida útil de la pieza o el equipo.

Se requiere la presentación del recibo de la compra original y la etiqueta de información de la garantía del producto para determinar la elegibilidad de la garantía. La elegibilidad se basa en la fecha de compra del producto original, no en la fecha de reemplazo bajo la garantía. La garantía está limitada a la reparación o al reemplazo del producto original comprado únicamente, no al producto de reemplazo (por ej., un reemplazo de garantía permitido por compra). El comprador debe pagar todos los gastos de extracción, instalación, mano de obra, envío y cargos incidentales.

Los reclamos presentados bajo esta garantía deberán incluir la devolución del producto (excepto las bombas de sumidero, ver abajo) al punto de venta minorista donde se compró de manera inmediata tras el descubrimiento del supuesto defecto. Pentair Flotec tomará seguidamente las medidas correctivas con la mayor celeridad razonablemente posible. No se aceptará ninguna solicitud de servicio si se recibe transcurridos los 30 días del vencimiento de la garantía.

La garantía no es transferible y no cubre productos usados en aplicaciones comerciales/de renta.

Para obtener asistencia con las partes o la resolución de problemas, NO devuelva el producto a su tienda, comuníquese con el servicio al cliente de Pentair Flotec al 1-800-365-6832.

## BOMBAS PARA AGUAS RESIDUALES

NO devuelva la bomba para aguas residuales (que ya haya sido instalada) a su tienda. Las bombas para aguas residuales que hayan sido usadas y luego desinstaladas contienen contaminantes peligrosos.

Si su bomba para aguas residuales tiene fallas:

- ◆ Use guantes de goma para manipular la bomba;
- ◆ Por cuestiones de garantía, devuelva la etiqueta del cable de la bomba y el recibo de compra original de la tienda donde la compró;
- ◆ Deseche la bomba de acuerdo con las ordenanzas locales de desecho.

Comuníquese con el servicio al cliente de Pentair Flotec al 1-800-365-6832.

## EXCEPCIONES DE LA GARANTÍA LIMITADA DE DOCE (12) MESES

PRODUCTO	PERÍODO DE GARANTÍA
Parts20* (Partes y Accesorios), FP0F360AC, FP0FDC	90 días
FP0S1775A, FP0S4100X, FPPSS3000, FPCC5030, FPCI3350, FPCI5050, FPDC30	2 años
FPSC1725X, FPSE3601A, FPSC3350A, FPZT7300, FPZT7350, FPZT7450, FPZT7550	2 años
Tanques de presión serie FP7100/FP7400, E3305TLT, E3375TLT, E5005TLTT, E50TLT, E50VLT, E75STVT, E75VLT, FPSE9000, FPSE9050	5 años

## TÉRMINOS Y CONDICIONES GENERALES; LIMITACIONES DE LOS RECURSOS

Usted debe pagar todos los cargos de mano de obra y envío necesarios para reemplazar el producto cubierto por esta garantía. La garantía no cubre lo siguiente: (1) casos fortuitos; (2) productos que, a exclusivo criterio de Pentair Flotec, han sido sometidos a negligencia, uso indebido, accidente, mal uso, modificación o alteración; (3) fallas debidas a la instalación, funcionamiento, mantenimiento o almacenamiento incorrecto; (4) aplicación, uso o servicio atípico o no aprobado; (5) fallas causadas por corrosión, óxido u otros materiales externos dentro del sistema, o el funcionamiento a presiones superiores a las máximas recomendadas.

Esta garantía establece la exclusiva obligación de Pentair Flotec y el exclusivo recurso del comprador sobre productos defectuosos. PENTAIR FLOTEC NO SERÁ RESPONSABLE DE NINGÚN DAÑO CONSECUENTE, INCIDENTAL O CONTINGENTE.

LAS GARANTÍAS ANTERIORES SON EXCLUSIVAS Y EN LUGAR DE TODAS LAS DEMÁS GARANTÍAS EXPLÍCITAS E IMPLÍCITAS, INCLUIDAS, ENTRE OTRAS, LAS GARANTÍAS IMPLÍCITAS DE COMERCIABILIDAD E IDONEIDAD PARA UN PROPÓSITO PARTICULAR. LAS GARANTÍAS ANTERIORES NO SE EXTENDERÁN MÁS ALLÁ DE LA DURACIÓN PROPORCIONADA EN EL PRESENTE DOCUMENTO.

Algunos estados no permiten la exclusión o limitación de daños incidentales o consecuentes o limitaciones en la duración de una garantía implícita, por lo que es posible que las limitaciones o exclusiones anteriores no se apliquen a usted. Esta garantía le otorga derechos legales específicos y también puede tener otros derechos que varían de un estado a otro.

(10/3/2022)



293 Wright Street  
Delavan, WI 53115  
Ph: 800.365.6832  
Fax: 800-526-3757

[pentair.com](http://pentair.com)

Todas las marcas comerciales y los logotipos de Pentair indicados son propiedad de Pentair. Las marcas comerciales y los logotipos de terceros, registrados y no registrados, son propiedad de sus respectivos dueños. Como mejoramos continuamente nuestros productos y servicios, Pentair se reserva el derecho de modificar las especificaciones sin previo aviso. Pentair es un empleador que ofrece igualdad de oportunidades.

©2023 Pentair. Todos los derechos reservados.

FP324 (07-01-23)