

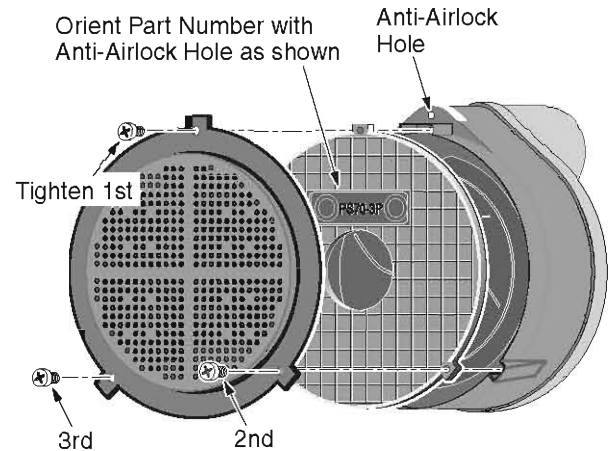
REPAIR PARTS

| Key | Part Description | Qty. | Part No. |
|-----|-------------------------|------|-----------|
| 1 | Base | 1 | PS70-81 |
| 2 | Screen | 1 | PS8-6P |
| 3 | Shield | 1 | PS70-3P |
| 4 | Impeller | 1 | PS5-25P |
| 5 | Motor | 1 | ** |
| 6 | 90° Garden Hose Adapter | 1 | PS74-78 |
| 7 | Power Cord | 1 | PS17-1505 |

NOTICE: To purchase a check valve, call Customer Service at 1-800-365-6832 and order part number PW73-63.

** If motor fails, replace entire pump.

Insert Screws through base.
(Base omitted for clarity)



Assemble Screen and Shield as shown.