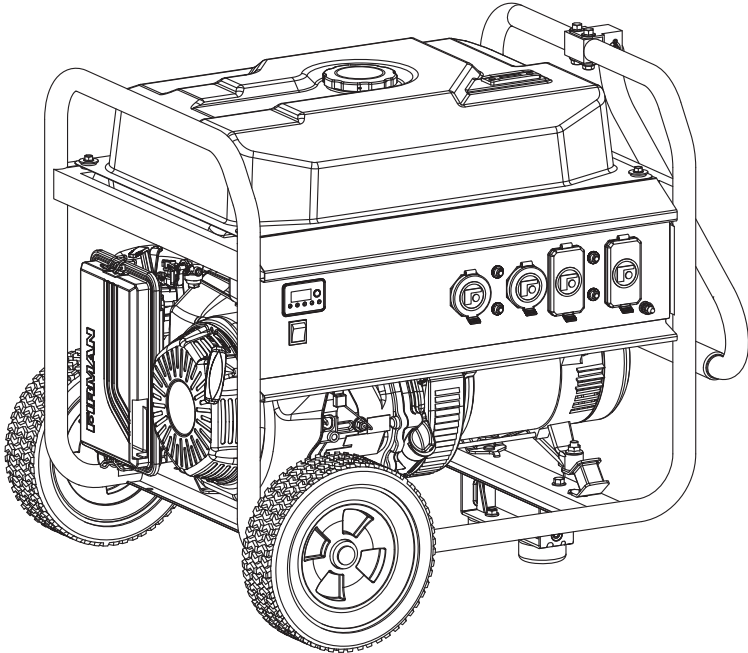


# FIRMAN<sup>®</sup>

## OPERATOR'S MANUAL GASOLINE PORTABLE GENERATOR



MODEL NUMBER  
**P06701**

Rev Level:00

Record product information to reference when ordering parts or obtaining warranty coverage.

SERIAL NUMBER: \_\_\_\_\_

PURCHASE DATE: \_\_\_\_\_

**STOP** DO NOT RETURN TO STORE!

CALL US FIRST  
**1-844-347-6261**

FOR QUESTIONS OR SERVICE INFORMATION



---

---

# Table of Contents

<b>Introduction</b> . . . . .	1	<b>Maintenance And Storage</b> . . . . .	19
<b>Safety Precautions</b> . . . . .	2	Maintenance Schedule . . . . .	19
<b>Unpacking the Generator</b> . . . . .	6	Engine Maintenance . . . . .	20
Parts Included . . . . .	6	Change Engine Oil . . . . .	20
<b>Assembly</b> . . . . .	7	Air Filter Maintenance . . . . .	20
Install the Wheel Kit . . . . .	7	Spark Plug Maintenance . . . . .	21
Install the Support Leg . . . . .	7	Cleaning Fuel Strainer . . . . .	21
Install the Handle . . . . .	7	Inspect Muffler and Spark Arrester . . . . .	21
<b>Controls and Features</b> . . . . .	8	Generator Maintenance . . . . .	22
Generator . . . . .	8	Service and Storage . . . . .	23
Control Panel . . . . .	9	<b>Trouble Shooting</b> . . . . .	24
<b>Specifications</b> . . . . .	11	<b>Parts Diagram and Parts List</b> . . . . .	25
Add Engine Oil . . . . .	12	Generator Parts Diagram . . . . .	25
Low Oil Shutdown . . . . .	12	Engine Parts Diagram . . . . .	26
Add Fuel . . . . .	13	Parts List . . . . .	27
Operation at High Altitude . . . . .	14	Wiring Diagram . . . . .	29
Grounding . . . . .	14	<b>Service Information</b> . . . . .	30
Connecting to a Building's Electrical System . . . . .	14	<b>Warranty</b> . . . . .	30
<b>Operation</b> . . . . .	15		
Generator Location . . . . .	15		
Surge Protection . . . . .	15		
Starting the Generator . . . . .	16		
Connecting Electrical Loads . . . . .	17		
Stopping the Engine . . . . .	17		
Low Oil Shutdown . . . . .	18		
Do Not Overload Generator . . . . .	18		

# INTRODUCTION

Thank you for purchasing a FIRMAN generator.

**This manual contains** safety information to make you aware of the hazards and risks associated with generator products and how to avoid them. This generator is designed and intended only for supplying electrical power for operating compatible electrical lighting, appliances, tools and motor loads, and is not intended for any other purpose. It is important that you read and understand these instructions thoroughly before attempting to start or operate this equipment.

**Save these original instructions for future reference.**

This manual covers operation and maintenance of the FIRMAN generators. All information in this publication is based on the latest production information available at the time of approval for printing. The manufacturer reserves the right to change, alter or other wise improve the generator and this documentation at any time without prior change.

## Important Safety Information

The manufacturer cannot possibly anticipate every possible circumstance that might involve a hazard. The warnings in this manual and the tags and decals affixed to the unit are therefore not all-inclusive. If you use a procedure, work method or operating technique that the manufacturer does not specifically recommend you must satisfy yourself that it is safe for you and others. You must also make sure that the procedure work method or operating technique that you choose does not render the generator unsafe.

### SAFETY INFORMATION



#### DANGER

Indicates a hazard which, if not avoided, will result in death or serious injury.



#### WARNING

Indicates a hazard which, if not avoided, could result in death or serious injury.



#### CAUTION

Indicates a hazard which, if not avoided, could result in minor or moderate injury.



Toxic Fumes



Risk of Electric Shock



Fire Hazard



Explosion Hazard



Hot Surface.  
Do Not Touch the Surface.



Rotating Parts Entanglement  
Hazard






Kickback



Operator's Manual

## SAFETY PRECAUTIONS

<b>⚠ DANGER</b>	
Using a generator indoors <b>CAN KILL YOU IN MINUTES</b> . Generator exhaust contains carbon monoxide. This is a poison you cannot see or smell.	
	
NEVER use inside a home or garage, <b>EVEN IF</b> doors and windows are open.	
Only use <b>OUTSIDE</b> and far away from windows, doors, and vents.	
Avoid other generator hazards. <b>READ MANUAL BEFORE USE.</b>	

### **⚠ WARNING** **POISONOUS GAS HAZARD.**



Engine exhaust contains carbon monoxide, a poisonous gas that could kill you in minutes. You **CANNOT** smell it, see it, or taste it. Even if you do not smell exhaust fumes, you could still be exposed to carbon monoxide gas.

- Operate this product **ONLY** outside far away from windows, doors and vents to reduce the risk of carbon monoxide gas from accumulating and potentially being drawn towards occupied spaces.
- Install battery-operated carbon monoxide alarms or plug-in carbon monoxide alarms with battery back-up according to the manufacturer's instructions. Smoke alarms cannot detect carbon monoxide gas.
- **DO NOT** run this product inside homes, garages, basements, crawlspaces, sheds, or other partially-enclosed spaces even if using fans or opening doors and windows for ventilation. Carbon monoxide can quickly build up in these spaces and can linger for hours, even after this product has shut off.
- **ALWAYS** place this product downwind and point the engine exhaust away from occupied spaces. If you start to feel sick, dizzy, or weak while using this product, shut it off and get to fresh air **RIGHT AWAY**. See a doctor. You may have carbon monoxide poisoning.

### **FOR RESIDENTS OF CALIFORNIA**

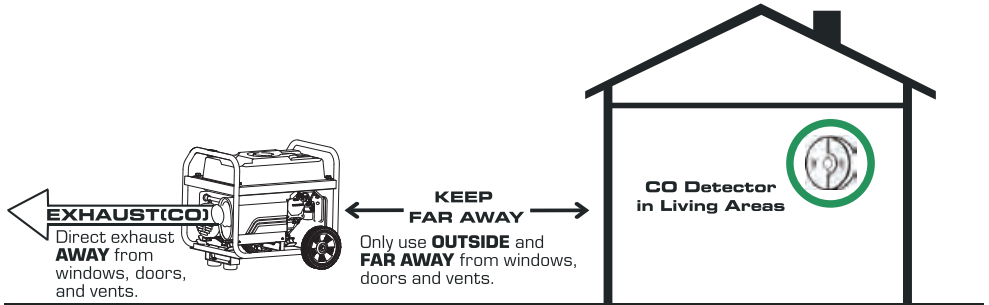
**⚠ WARNING:** This product and the engine exhaust from this product can expose you to chemicals including CO, which are known to the State of California to cause cancer or cause birth defects and other reproductive harm. For more information, go to [www.P65Warnings.ca.gov](http://www.P65Warnings.ca.gov).

- If you start to feel sick, dizzy or weak while using the portable generator, you may have carbon monoxide poisoning. Get out side to fresh air immediately and call 911 for emergency medical attention. Very high levels of CO can rapidly cause victims to lose consciousness before they can rescue themselves. **DO NOT** attempt to shut off the generator before moving to fresh air. Entering an enclosed space where a generator is or has been running may put you at greater risk of CO poisoning.

## CORRECT USAGE

### Example location to reduce risk of carbon monoxide poisoning

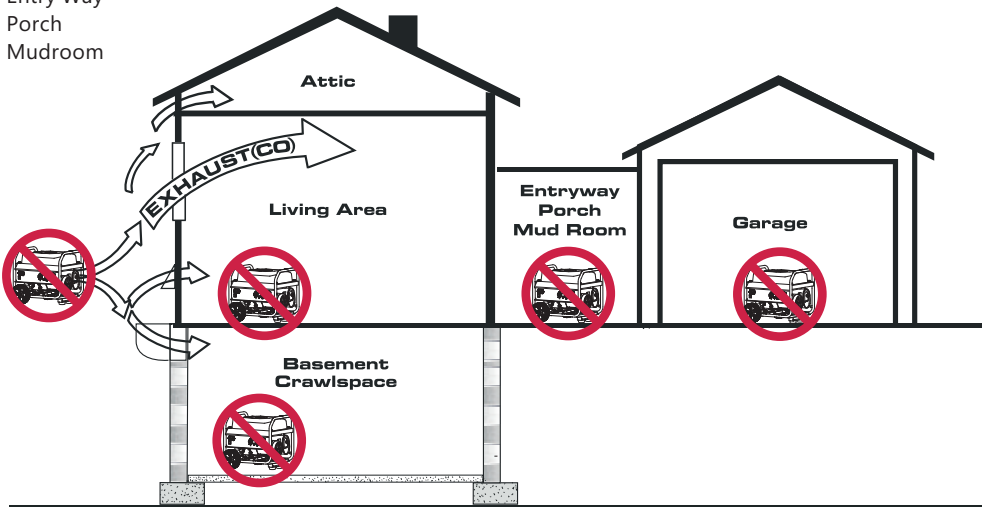
- ONLY use outside and downwind, far away from windows, doors and vents.
- Direct exhaust **AWAY** from windows, doors, and vents.



## INCORRECT USAGE

### Do not operate in any of the following locations:

- Near any door, window or vent
- Garage
- Basement
- Crawl Space
- Living Area
- Attic
- Entry Way
- Porch
- Mudroom



## **WARNING**



Starter cord kickback (rapid retraction) will pull hand and arm toward engine faster than you can let go which could cause broken bones, fractures, bruises, or sprains resulting in serious injury.

- When starting engine, pull cord slowly until resistance is felt and then pull rapidly to avoid kickback.
- **NEVER** start or stop engine with electrical devices plugged in and turned on.

## **WARNING**



Fuel and its vapors are extremely flammable and explosive which could cause burns, fire, or explosion resulting in death or serious injury.

## **WHEN ADDING OR DRAINING FUEL**

- Turn generator engine OFF and let it cool at least 2 minutes before removing fuel cap. Loosen cap slowly to relieve pressure in tank.
- Fill or drain fuel tank outdoors.
- **DO NOT** overfill tank. Allow space for fuel expansion.
- If fuel spills, wait until it evaporates before starting engine.
- Keep fuel away from sparks, open flames, pilot lights, heat, and other ignition sources.
- Check fuel lines, tank, cap, and fittings frequently for cracks or leaks. Replace if necessary.
- **DO NOT** light a cigarette or smoke.

## **WHEN STARTING EQUIPMENT**

- Ensure spark plug, muffler, fuel cap, and air cleaner are in place.
- **DO NOT** crank engine with spark plug removed.

## **WHEN OPERATING EQUIPMENT**

- **DO NOT** operate this product inside any building, carport, porch, mobile equipment, marine applications, or enclosure.
- **DO NOT** tip engine or equipment at angle which causes fuel to spill.
- **DO NOT** stop engine by moving choke control to "Start" position.

## **WHEN TRANSPORTING, MOVING OR REPAIRING EQUIPMENT**

- Transport/move/repair with fuel tank EMPTY or with fuel shutoff valve OFF.
- **DO NOT** tip engine or equipment at angle which causes fuel to spill.
- Disconnect spark plug wire.

## **WHEN STORING FUEL OR EQUIPMENT WITH FUEL IN TANK**

- Store away from furnaces, stoves, water heaters, clothes dryers, or other appliances that have pilot light or other ignition source because they could ignite fuel vapors.

## **WARNING**

- This generator does not meet U. S. Coast Guard Regulation 33CFR-183 and should not be used on marine applications.
- Failure to use the appropriate U. S. Coast Guard approved generator could result in death or serious injury.

## **WARNING**



Generator voltage could cause electrical shock or burn resulting in death or serious injury.

- Use approved transfer equipment, suitable for the intended use, to prevent backfeed by isolating generator from electric utility workers.

- When using generator for backup power, notify utility company.
- Use a ground fault circuit interrupter (GFCI) in any damp or highly conductive area, such as metal decking or steel work.
- **DO NOT** touch bare wires or receptacles.
- **DO NOT** use generator with electrical cords which are worn, frayed, bare or otherwise damaged.
- **DO NOT** operate generator in the rain or wet weather.
- **DO NOT** handle generator or electrical cords while standing in water, while barefoot, or while hands or feet are wet.
- **DO NOT** allow unqualified persons or children to operate or service generator.

### **WARNING**



Exhaust heat/gases could ignite combustibles, structures or damage fuel tank causing a fire, resulting in death or serious injury.

Contact with muffler area could cause burns resulting in serious injury.

- **DO NOT** touch hot parts and **AVOID** hot exhaust gases.
- Allow equipment to cool before touching.
- It is a violation of California Public Resource Code, Section 4442, to use or operate the engine on any forest-covered, brush-covered, or grass-covered land unless the exhaust system is equipped with a spark arrester, as defined in Section 4442, maintained in effective working order. Other states or federal jurisdictions may have similar laws. Contact the original equipment manufacturer, retailer, or dealer to obtain a spark arrester designed for the exhaust system installed on this engine.
- Replacement parts must be the same and installed in the same position as the original parts.

### **WARNING**



Unintentional sparking could cause fire or electric shock resulting in death or serious injury.

### **WHEN ADJUSTING OR MAKING REPAIRS TO YOUR GENERATOR**

- Disconnect the spark plug wire from the spark plug and place the wire where it cannot contact spark plug.

### **WHEN TESTING FOR ENGINE SPARK**

- Use approved spark plug tester.
- **DO NOT** check for spark with spark plug removed.

### **WARNING**



Starter and other rotating parts could entangle hands, hair, clothing, or accessories resulting in serious injury.

- **NEVER** operate generator without protective housing or covers.
- **DO NOT** wear loose clothing, jewelry or anything that could be caught in the starter or other rotating parts.
- Tie up long hair and remove jewelry.

### **CAUTION**

Excessively high operating speeds could result in minor injury. Excessively low operating speeds impose a heavy load.

- **DO NOT** tamper with governor spring, links or other parts to increase engine speed. Generator supplies correct rated frequency and voltage when running at governed speed.
- **DO NOT** modify generator in any way.

### **NOTICE**

Exceeding generators wattage/amperage capacity could damage generator and/or electrical devices connected to it.

- **DO NOT** exceed the generator's wattage amperage capacity.
- Start generator and let engine stabilize before connecting electrical loads.
- Connect electrical loads in OFF position, then turn ON for operation.
- Turn electrical loads OFF and disconnect from generator before stopping generator.

## NOTICE

Improper treatment of generator could damage it and shorten its life.

- Use generator only for intended uses.
- If you have questions about intended use, ask dealer or contact local service center.
- Operate generator only on level surfaces.
- DO NOT expose generator to excessive moisture, dust, dirt, or corrosive vapors.
- DO NOT insert any objects through cooling slots.
- If connected devices overheat, turn them off and disconnect them from generator.
- Shut off generator if:
  - Electrical output is lost.
  - Equipment sparks, smokes, or emits flames.
  - Unit vibrates excessively.

1. Axle Pin .....	2
2. 10.0" in. Wheel .....	2
3. Flat Washer .....	2
4. Cotter Pin .....	2
5. Engine Oil(Bottle) .....	1
6. Oil Funnel .....	1
7. Wrench for Spark plug .....	1
8. Double Open wrench (10mm & 12mm) .....	2
9. Support Leg with Vibration Mounts .....	1
10. Flange Bolt (M8x16 for Support Leg) .....	2
11. Flange Lock Nut (M8) .....	4
12. Handle .....	1
13. Flange Bolt (M8x50 for Handle) .....	2
14. Manual .....	1
15. QSSG .....	1
16. Cover .....	1

## ⚠ WARNING

### Medical and Life Support Uses.

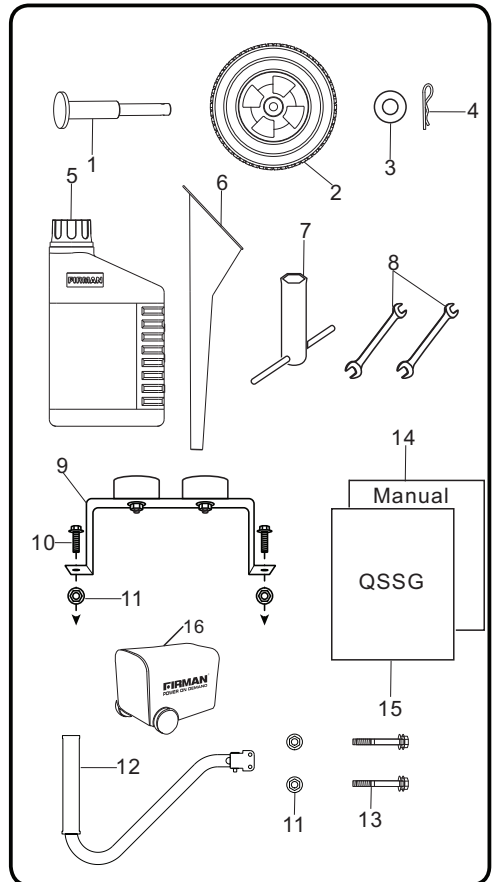
- In case of emergency, call 911 immediately.
- NEVER use this product to power life support devices or life support appliances.
- NEVER use this product to power medical devices or medical appliances.
- Inform your electricity provider immediately if you or anyone in your household depends on electrical equipment to live.
- Inform your electrical provider immediately if a loss of power would cause you or anyone in your household to experience a medical emergency.

## UNPACKING THE GENERATOR

- Open carton and Remove packaging materials.
- Remove generator, accessories boxes, and literature from carton. If any items are missing or damaged, contact our product service department at 1-844-347-6261.

## Parts Included

Your gasoline powered generator ships with the following parts:





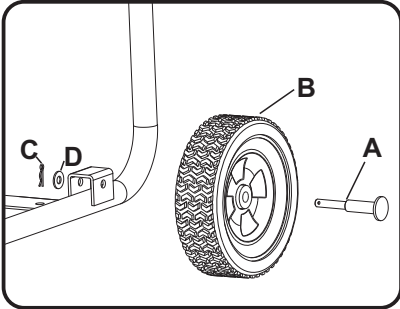
## ASSEMBLY

The generator requires some assembly prior to usage. If problems arise when assembling the generator, call 1-844-347-6261.

### Install the Wheel Kit

#### NOTICE

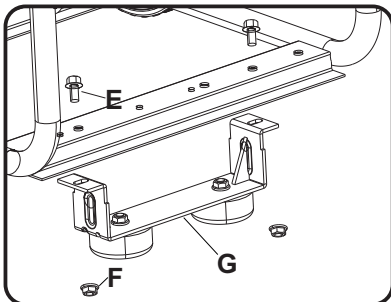
The wheel kit is not intended for over-the-road use.



1. Before adding wheels, tip the generator on its side.
2. Slide the axle pin **A** through the wheel **B**.
3. Slide the axle pin **A** through the mount point on the frame and flat washer **D**.
4. Secure the wheel and axle pin with the cotter pin **C**.
5. Repeat steps 2-4 to attach another wheel.

### Install the Support Leg

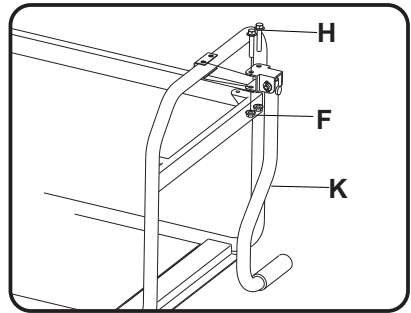
1. Attach the support leg **G** to the generator frame with flange bolts **E** (M8x16) and flange lock nuts **F** (M8).
2. Tip the generator slowly so that it rests on the wheels and support leg.
3. Tighten bolt **E** and nut **F** with provide wrenches.



### Install the Handle

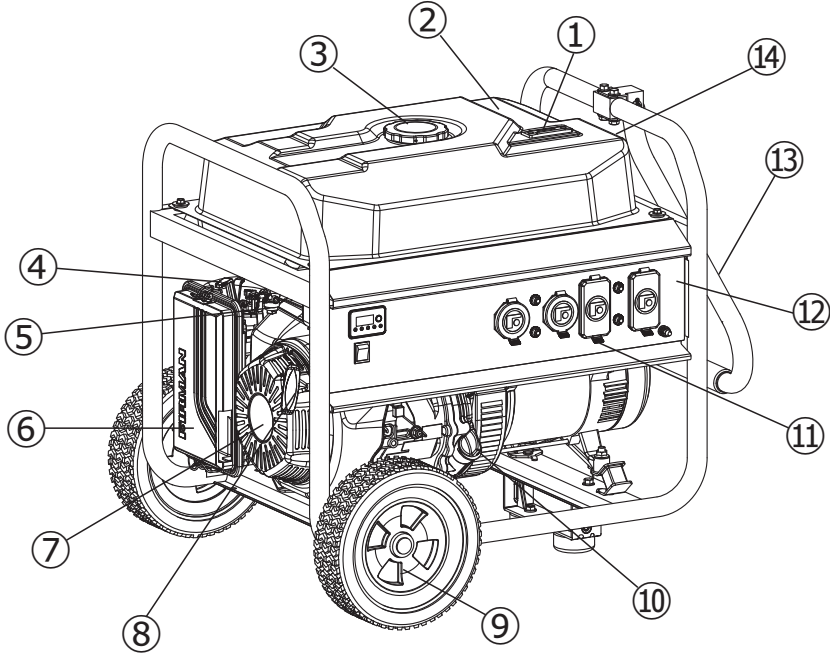
1. Place the handle **K** over the mounting channel on the frame.
2. Secure the handle to the frame using the two handle flange bolts **H** (M8x50).
3. Place a flange nut **F** (M8) on the end of each bolt and fasten securely with provided wrenches.

**DO NOT** over tighten the flange nuts.



# CONTROLS AND FEATURES

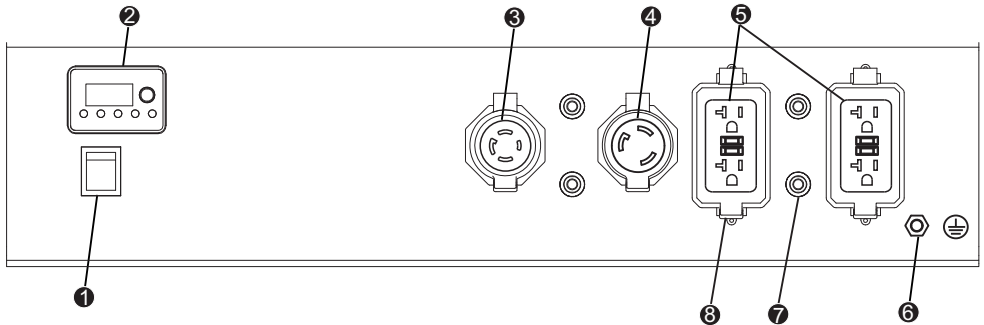
## Generator



- |  |   |
|--|---|
| <b>1- Fuel Gauge</b>                         | <b>9- 10.0"(25.4cm) Flat Free Wheel</b> |
| <b>2- 8.0 Gallon(30L) Capacity Fuel Tank</b> | <b>10- Oil Filler Cap</b>               |
| <b>3- Fuel Cap</b>                           | <b>11- Outlet Cover</b>                 |
| <b>4- Choke Lever</b>                        | <b>12- Control Panel</b>                |
| <b>5- Fuel Valve</b>                         | <b>13- Handle</b>                       |
| <b>6- Air Filter</b>                         | <b>14- Data Decal</b>                   |
| <b>7- 389cc FIRMAN OHV Engine</b>            |   |
| <b>8- Recoil Starter</b>                     |   |

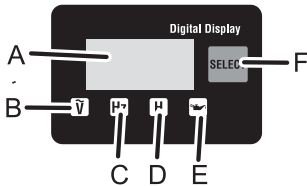
\*We are always working to improve our products. Therefore, the enclosed product may differ slightly from the image on this page.

## Control Panel



**NOTICE** Total power drawn from all receptacles must not exceed the name plate rating.

- ① **Engine Switch** – Flip the switch to the “ON(I)” position and pull the recoil starter to start the generator. Turn to the “OFF(O)” position to turn off the generator.
- ② **4-1 Data-Minder(Multi-Meter)** – Push the SELECT button to show the Voltage, Hertz and running hours. If the low oil indicator is lit, check the oil level.
- ③ **120V, 20A Duplex GFCI (Ground Fault Circuit Interrupter)** – (NEMA 5-20R) This receptacle is rated so that a total of 20 Amp may be drawn regardless of whether both halves or just one receptacle is used. Ground Fault Circuit Interrupter conforms to UL 943 and NEC requirements. This device protects you against hazardous electrical shock that may be caused if your body becomes a path through which electricity travels to reach ground. This could happen when you touch an appliance or cord that is “live” through faulty mechanism, damp or worn insulation, etc.



- A - Digital display
- B - AC voltage indicator
- C - Frequency indicator
- D - Hour indicator
- E - Low oil indicator
- F - Select button

- ④ **120/240V, 30A Twist Lock** – (NEMA L14-30R)  
Maximum 27.9 Amp current maybe drawn from this 120/240 Volt receptacle.
- ④ **120V, 30A Twist Lock** (NEMA L5-30R)  
Maximum 30 Amp current may be drawn from this 120 Volt receptacle.

- ⑤ **120V, 20A Duplex GFCI (Ground Fault Circuit Interrupter)** – (NEMA 5-20R) This receptacle is rated so that a total of 20 Amp may be drawn regardless of whether both halves or just one receptacle is used. Ground Fault Circuit Interrupter conforms to UL 943 and NEC requirements. This device protects you against hazardous electrical shock that may be caused if your body becomes a path through which electricity travels to reach ground. This could happen when you touch an appliance or cord that is “live” through faulty mechanism, damp or worn insulation, etc.
- ⑥ **Ground Terminal** – Consult an electrician for local grounding regulations.
- ⑦ **Circuit Breakers** – The receptacles are protected by an AC circuit protector. If the generator is overloaded or an external short circuit occurs the circuit protector will trip. If this occurs, disconnect all electrical loads and try to determine the cause of the problem before attempting to use the generator again. If overloading causes the circuit protector to trip, reduce the load. **Note: Continuous tripping of the circuit protector may cause damage to generator or equipment.** The circuit protector may be reset by pushing the button of the protector.

- ⑧ **Outlet Cover** - Protect the receptacles from dust and debris.

## 120VAC, 20AMP GFCI RECEPTACLE

This unit is equipped with a ground fault circuit interrupter (GFCI). This device meets applicable federal, state and local codes .

A GFCI receptacle is different from conventional receptacles. In the event of a ground fault, a GFCI will trip and quickly stop the flow of electricity to prevent serious injury.

Definition: Instead of following its normal safe path, electricity passes through a persons body to reach the ground. For example, a defective appliance can cause a ground fault.

A GFCI receptacle does NOT protect against circuit overloads, short circuits, or shocks. For example, electric shock can still occur if a person touches charged electrical wires while standing on a non-conducting surface, such as a wood floor.

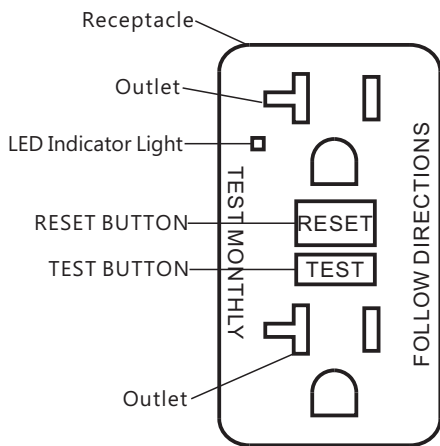
5. To restore the flow of electricity, press the **"RESET"** button on the front of the receptacle. If the GFCI does not perform in this manner, do not use the receptacle. Contact a local service dealer or costumer service.

6. This outlet is protected against overload by a 20A push-to-reset circuit breaker. Use the outlet to power 120V AC, single-phase, 60 Hz, electrical loads requiring up to a combined 2400 watts (2.4 kW) or 20 amps of current.

## SELF-TEST OPERATION

A Self-Test GFCI receptacle has all the features of a conventional GFCI receptacle. In addition, this receptacle tests itself periodically to confirm the GFCI electronics are functional. The Indicator Light will be solid green when the GFCI is powered from Line side and working correctly.

**Self-Test Indications:** If the Indicator Light is solid orange or flashing red a problem may exist. Press the TEST button to trip the GFCI. If unable to Reset, replace the GFCI.



Testing the GFCI: Test the GFCI outlet every month as follows:

1. Plug a test lamp into the receptacle.
2. Start the generator, the test lamp should be on.
3. Press the "Test" button located on the front of the receptacle to trip the device.
4. This should stop the flow of electricity making the lamp shut off. The GFCI's indicator light comes off.

## SPECIFICATIONS

<b>Model</b>	<b>P06701</b>
Starting Watts	8350
Running Watts*	6700
Rated AC Voltage	120/240V
Rated Frequency	60Hz
Phase	Single
Voltage Regulator	AVR
Power Factor	1
Total Harmonic Distortion(THD)	Standard
Alternator Type	Brushed
Engine	FIRMAN
Engine Type	Single Cylinder, 4-Stroke OHV Air Cooled
Displacement	389cc
Low Oil Shutdown	Yes
Ignition System	Breakless Ignition Type, Flywheel Magneto
Starting System	Recoil
Fuel	Unleaded Automotive Gasoline
Capacity Fuel Tank	8.0 Gallon (30L)
Lubricating Oil Capacity	37.2 oz(1.1L)
Carburetor Type	Float
Air Cleaner	Polyurethane Type
P.T.O. Shaft Rotation	Counter Clockwise (Facing P.T.O.)
Oil Type	See "Add Engine Oil" Section
AC Grounding System	Neutral Bonded To Frame

\*This generator is rated in accordance with ANSI/PGMA G300-2018.

### AN IMPORTANT MESSAGE ABOUT TEMPERATURE:

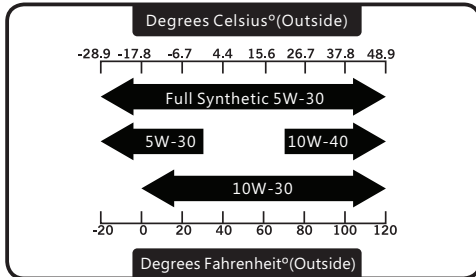
Your FIRMAN generator has an operating temperature range of 5°F (-15°C) to 104°F (40°C). When operated above 73°F (23°C) there may be a decrease in power. Rated wattage is subject to, and limited by, such factors as fuel BTU content, altitude, ambient temperature, engine conditions, etc. Rated wattage decreases about 3.5% for each 1,000 feet above sea level; and will also decrease about 1% for each 10°F(6°C) above 73°F(23°C). The generator may be operated at temperatures ranging from 5°F(-15°C) to 122°F(50°C). If the generator is exposed to temperatures outside this range during storage, the generator should be brought back within this range before operation.

## Add Engine Oil

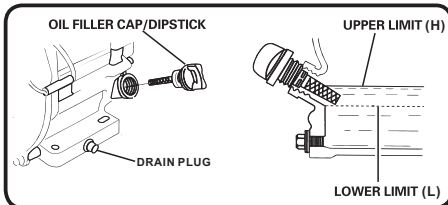
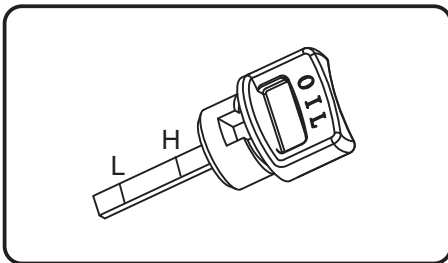
We recommend using FIRMAN SAE 10W-30 API SJ oil for best performance. Other high-quality detergent oils (API SJ or higher) are acceptable. Do not use special additives. Ambient temperature determines the proper oil viscosity for the engine. Use the chart to select the proper oil for the outdoor temperature range expected.

### NOTICE

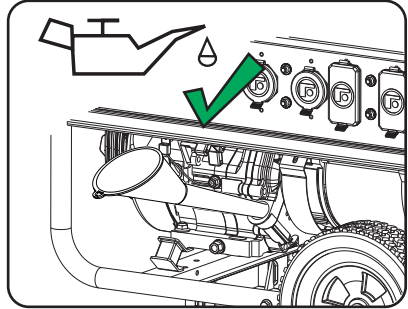
Do not attempt to crank or start the engine before it has been properly filled with the recommended type and amount of oil. Damage due to operation with no oil will void your warranty.



1. Place generator on a flat, level surface.
2. Clean area around oil fill and remove yellow oil fill cap/dipstick.
3. Wipe dipstick clean.



4. Using oil funnel, slowly pour contents of provided oil bottle into oil fill opening to the "H" mark on dipstick. Be careful do not overfill. Overfilling with oil could cause the engine to not start or hard starting.



5. Replace oil fill cap/dipstick and fully tighten.
6. Oil level should be checked prior to each use or at least every 8 hours of operation. Keep oil level maintained.

The engine is equipped with a low oil shut-off and will stop when the oil level in the crankcase falls below the threshold level.

### NOTICE

We consider the first 5 hours of run time to be the break-in period for the unit. During the break in period stay at or below 50% of the running watt rating and vary the load occasionally to allow stator windings to heat and cool. Adjusting the load will also cause engine speed to vary and help seat piston rings.

## Low Oil Shutdown

The unit is equipped with a low oil shutdown. If the oil level becomes lower than required, the sensor will activate a warning device or stop the engine.

If generator shuts off and the oil level is within specifications, check to see if generator is sitting at an angle that forces oil to shift. Place on an even surface to correct this. If engine fails to start, the oil level may not be sufficient to deactivate low oil level switch. Make sure the sump is completely full of oil.

## Add Fuel

Fuel must meet these requirements:

- Clean, fresh, unleaded gasoline.
- Use regular UNLEADED gasoline with the generator engine with a minimum 87 octane / 87 AKI (91 RON).

For high altitude use, see "Operation at High Altitude".

- Do not use gasoline with more than 10% ethanol such as E85 or ethanol.

**NOTICE** Avoid generator damage.

Failure to follow Operator's Manual for fuel recommendations voids warranty.

- DO NOT use unapproved gasoline such as E85.
- DO NOT mix oil in gasoline.
- DO NOT modify engine to run on alternate fuels.

### WARNING



Fuel and its vapors are extremely flammable and explosive which could cause burns, fire or explosion resulting in death or serious injury .

### WHEN ADDING FUEL

- Fill fuel tank outdoors.



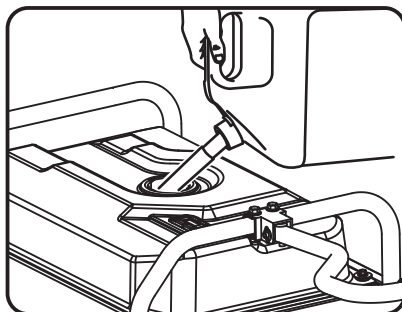
DO NOT overfill tank. Allow space for fuel expansion. If the tank is overfilled, fuel can overflow onto a hot engine and cause fire or explosion.

- If fuel spills, wait until it evaporates before starting engine.
- Keep fuel away from sparks, open flames, pilot lights, heat, and other ignition sources.
- Check fuel lines, tank, cap and fittings frequently for cracks or leaks. Replace if necessary.

DO NOT light a cigarette or smoke when filling the fuel tank.



1. Clean area around fuel fill cap, remove cap.
2. Slowly add unleaded fuel to fuel tank. Be careful not to fill above the red fuel level indicator . This allows adequate space for fuel expansion.
3. Install fuel cap and let any spilled fuel evaporate before starting engine .



### CAUTION

- Slowly add unleaded gasoline to fuel tank.
- Do not overfill tank.
- Do not fill above top of fuel screen. This will all expansion in hot weather and prevent overflow.



**NOTICE** It is important to prevent gum deposits from forming in fuel system parts such as the carburetor, fuel hose or tank during storage. Alcohol-blended fuels (called gasohol, ethanol or methanol) can attract moisture, which leads to separation and formation of acids during storage. Acidic gas can damage the fuel system of an engine while in storage. To avoid engine problems, the fuel system should be emptied before storage of 30 days or longer. See the " Long Term Storage" section. Never use engine or carburetor cleaner products in the fuel tank as permanent damage may occur.

## Operation at High Altitude

At altitudes over 5,000 feet (1524 meters), a minimum 85 octane gasoline is acceptable. Engine power and generator output will be reduced approximately 3.5% for every 1000 feet (305 m) of elevation above sea level. High altitude may cause hard starting, increased fuel consumption and spark plug fouling. To operate at high altitudes FIRMAN can provide a high altitude carburetor main jet. The alternative main jet and installation instructions can be obtained by contacting Customer Support.

	489cc	Altitude
Altitude main jet 1	357717002	3000-6000Feet (914-1828 m)
Altitude main jet 2	357717003	6000-8000Feet (1828-2438 m)

**NOTICE** Operation using an alternative main jet at elevations lower than the recommended minimum altitude can damage the engine. For operation at lower elevations, the standard main jet supplied must be used. Operating the engine with the wrong main jet may increase exhaust emissions, fuel consumption and reduce performance.

## Grounding

The generator has a system ground that connects the generator frame components to the ground terminals on the AC output receptacles. The system ground is connected to the AC neutral wire. The neutral is bonded to the generator frame. There may be Federal or State regulations, local codes, or ordinances that apply to the intended use of the generator. Consult a qualified electrician, electrical inspector, or the local agency having jurisdiction. This generator is not intended to be used at a construction site or similar activity as defined by NFPA 70-2020 (NEC) section 590.6.

## Connecting to a Building's Electrical System

Connections to your home's electrical system must use a listed\* transfer switch installed by a licensed electrician. The connection must isolate the generator power from the utility power and comply with all applicable laws and electrical codes.

### WARNING



Generator voltage could cause electrical shock or burn resulting in death or serious injury.

- Use approved transfer equipment to prevent backfeed by isolating generator from electric utility workers.
- When using generator for backup power, notify utility company.
- Use a ground fault circuit interrupter (GFCI) in any damp or highly conductive area, such as metal decking or steel work.
- DO NOT touch bare wires or receptacles.
- DO NOT use generator with electrical cords which are worn, frayed, bare or otherwise damaged.
- DO NOT operate generator in the rain or wet weather.
- DO NOT handle generator or electrical cords while standing in water, while barefoot, or while hands or feet are wet.
- DO NOT allow unqualified persons or children to operate or service generator.



## OPERATION

### Generator Location

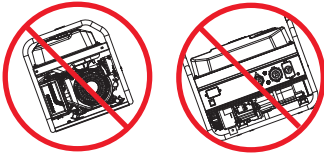
#### WARNING

Make sure you review each warning in order to prevent fire hazard.




- Keep area clear of inflammables or other hazardous materials.
- Select a site that is dry, well ventilated and protected from the weather.
- Keep exhaust pipe clear of foreign objects.
- Keep generator away from open flame.
- Keep generator on a stable and level surface.

#### NOTICE

Tilting can cause fuel spillage.



- Do not block generator air vents with paper or other material.

 DANGER	
Using a generator indoors <b>CAN KILL YOU IN MINUTES.</b> Generator exhaust contains carbon monoxide. This is a poison you cannot see or smell.	
 NEVER use inside a home or garage, <b>EVEN IF</b> doors and windows are open.	 Only use <b>OUTSIDE</b> and far away from windows, doors, and vents.
Avoid other generator hazards. <b>READ MANUAL BEFORE USE.</b>	

### POISONOUS GAS HAZARD.



Engine exhaust contains carbon monoxide, a poisonous gas that could kill you in minutes. You **CANNOT** smell it, see it, or taste it. Even if you do not smell exhaust fumes, you could still be exposed to carbon monoxide gas.

- Operate this product **ONLY** outside far away from windows, doors and vents to reduce the risk of carbon monoxide gas from accumulating and potentially being drawn towards occupied spaces.
- Install battery-operated carbon monoxide alarms or plug-in carbon monoxide alarms with battery back-up according to the manufacturer's instructions. Smoke alarms cannot detect carbon monoxide gas.
- **DO NOT** run this product inside homes, garages, basements, crawlspaces, sheds, or other partially-enclosed spaces even if using fans or opening doors and windows for ventilation. Carbon monoxide can quickly build up in these spaces and can linger for hours, even after this product has shut off.
- **ALWAYS** place this product downwind and point the engine exhaust away from occupied spaces. If you start to feel sick, dizzy, or weak while using this product, shut it off and get to fresh air **RIGHT AWAY**. See a doctor. You may have carbon monoxide poisoning.

### Surge Protection

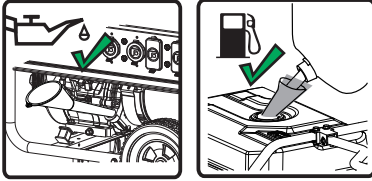
#### NOTICE

Voltage fluctuation may impair the proper functioning of sensitive electronic equipment. Electronic devices, including computers and many programmable appliances use components that are designed to operate within a narrow voltage range and may be affected by momentary voltage fluctuations. While there is no way to prevent voltage fluctuations, you can take steps to protect sensitive electronic equipment.

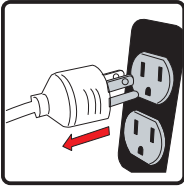
Install UL1449, CSA-listed, plug-in surge suppressors on the outlets feeding your sensitive equipment. Surge suppressors come in single- or multi-outlet styles. They're designed to protect against virtually all short-duration voltage fluctuations.

## Starting the Generator

1. Before starting the generator, check for loose or missing parts and for any damage which may have occurred during shipment.
2. Check oil level and fuel.



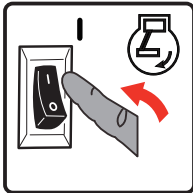
3. Disconnect all electrical loads from the generator. Never start or stop the generator with electrical devices plugged in or turned on.



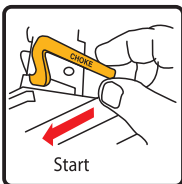
4. Turn the fuel valve to the "ON" (I) position.



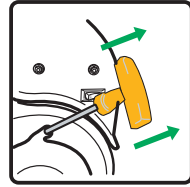
5. Flip the engine switch to the "ON" (I) position.



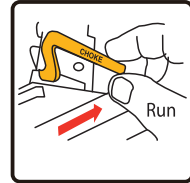
6. Move the choke lever to the "START" position.



7. Pull the starter cord slowly until resistance is felt and then pull rapidly.



8. Do not over-choke. As soon as engine starts and warms up, move the choke lever to the "RUN" position.



9. Allow generator to run at no load for few minutes upon each initial start-up to permit engine and generator to stabilize.

### **WARNING**



Starter cord kickback (rapid retraction) will pull hand and arm toward engine faster than you can let go which could cause broken bones, fractures, bruises, or sprains resulting in serious injury.

When starting engine, pull cord slowly until resistance is felt and then pull rapidly to avoid kickback.

### **NOTICE**

Keep choke lever in "START" position for only 1 pull of the recoil starter. After first pull, move choke lever to the "RUN" position for up to the next 3 pulls of the recoil starter. Too much choke leads to sparkplug fouling/engine flooding due to the lack of incoming air. This will cause the engine not to start.

### **NOTICE**

If engine starts after 3 pulls but fails to run, or if unit shuts down during operation, make sure unit is on a level surface and check for proper oil level in crankcase. This unit may be equipped with a low oil protection device. If so, oil must be at proper level for engine to start.

## Connecting Electrical Loads

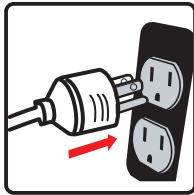
This unit has been pretested and adjusted to handle its full capacity. Before starting the generator, disconnect all load. Apply load only after generator is running. Voltage is regulated via the engine speed adjusted at the factory for correct output. Readjusting will void warranty.

### NOTICE

When applying a load, do not exceed the maximum wattage rating of the generator when using one or more receptacles. Also, do not exceed the amperage rating of any one receptacle.

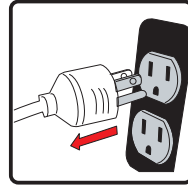
Do not apply heavy electrical load during break-in period (the first five hours of operations).

1. Let engine stabilize and warm up for a few minutes after starting.
2. Ensure circuit breaker on control panel is in on position.
3. Plug in and turn on the desired 120 or 240 Volt AC, single phase, 60Hz electrical loads. It is better to attach the item with largest load first.



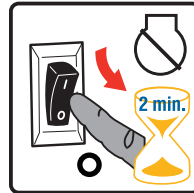
## Stopping the Engine

1. Turn off and remove entire electrical loads.  
Never start or stop the generator with electrical devices plugged in or turned on.



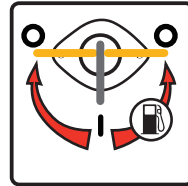
Let the generator run at no-load for two minutes to stabilize internal temperatures of the engine and generator.

2. Press the engine switch to the "OFF" (O) position.



Do not leave the generator until it has completely stopped.

3. Turn the fuel valve to the "OFF" (O) position.



If a cover is used, do not install until unit has cooled.

### **WARNING**



Fuel and its vapors are extremely flammable and explosive which could cause burns, fire or explosion resulting in death or serious injury.

DO NOT stop engine by moving choke control to "START" position.

**NOTICE** Always ensure that the fuel selector switch is in the "OFF" position when the engine is not in use.

---

---

## **NOTICE**

If the engine will not be used for a period of two weeks or longer, please see the Storage section for proper engine and fuel storage.

## **Low Oil Shutdown**

If the engine oil drops below a preset level, an oil switch will stop the engine. Check oil level with dipstick.

If oil level is between LOW and HIGH mark on dipstick:

1. DO NOT try to restart the engine.
2. Contact an Authorized FIRMAN Service Dealer.
3. DO NOT operate engine until oil level is corrected.

If oil level is below LOW mark on dipstick:

1. Add oil to bring level to HIGH mark.
2. Restart engine and if the engine stops again a low oil condition may still exist. DO NOT try to restart the engine.
3. Contact an Authorized FIRMAN Service Dealer.
4. DO NOT operate engine until oil level is corrected.

## **Do Not Overload Generator**

Overloading a generator in excess of its rated wattage capacity can result in damage to the generator and to connected electrical devices.

To prolong the life of your generator and attached devices, follow these steps to add electrical load:

1. Start the generator with no electrical load attached.
2. Allow the engine to run for several minutes to stabilize.
3. Plug in and turn on the first item. It is best to attach the item with the largest load first.
4. Allow the engine to stabilize.
5. Plug in and turn on the next item.
6. Allow the engine to stabilize.
7. Repeat steps 5-6 for each additional item.

# MAINTENANCE AND STORAGE

## MAINTENANCE SCHEDULE

ITEM	NOTES	Daily(Before operation)	Initial 25 hours	Every 50 hours	Every 100 hours (or annual)	Every 250 hours
Spark Plug	Check condition. Adjust gap and clean. Replace if necessary.				✓	
Engine Oil	Check oil level.	✓				
	Replace.		✓		✓	
Air Filter	Clean, replace if necessary.			✓		
Fuel Filter	Clean fuel filter and fuel tank strainer. Replace if necessary.				✓	
Fuel Line	Check fuel hose for cracks or other damage. Replace if necessary.	✓				
Exhaust System	Check for leakage. Retighten or replace gasket if necessary.	✓				
	Check spark arrester screen. Clean/Replace if necessary.				✓	
Engine	Check adjust valve clearance.*					✓
	Clean combustion chamber.*					✓
Fittings/ Fasteners	Check. Replace if necessary.				✓	

\* To be performed by knowledgeable/experienced owner or by authorized service center.

### General Recommendations

Regular maintenance will improve the performance and extend the life of the generator. See any authorized dealer for service.

The generator's warranty does not cover items that have been subjected to operator abuse or negligence. To receive full value from the warranty, the operator must maintain the generator as instructed in this manual.

Some adjustments will need to be made periodically to properly maintain your generator.

All service and adjustments should be made at least once each season. Follow the requirements in the Maintenance Schedule chart above.

**NOTICE** Once a year you should clean or replace the spark plug and replace the air filter. New spark plug and clean air filter assure proper fuel-air mixture and help your engine run better and last longer.

## ENGINE MAINTENANCE

To prevent accidental starting, remove and ground spark plug wire before performing any service.

### Change Engine Oil

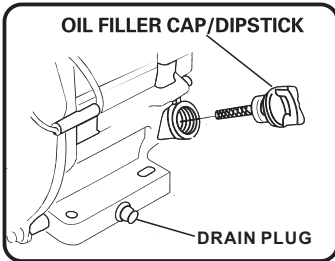
Change engine oil every 100 hours.  
(for a new engine, change oil after 25 hours.)

If you are using your generator under extremely dirty or dusty conditions, or in extremely hot weather, change the oil more often.

#### CAUTION

Avoid prolonged or repeated skin contact with used motor oil.

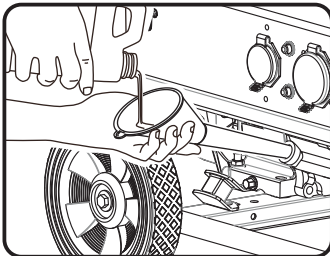
- Used motor oil has been shown to cause skin cancer in certain laboratory animals.
  - Thoroughly wash exposed areas with soap and water.
- (a) Drain oil by removing the drain plug and the oil filler cap while the engine is warm.



#### NOTICE

Please use a container to dispose of the oil at an approved recycling center.

- (b) Reinstall the drain plug and fill the engine with oil until it reaches the HIGH(H) level on the oil filler cap.

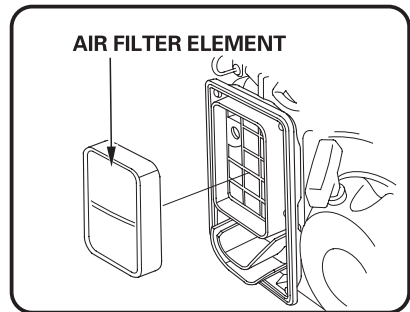
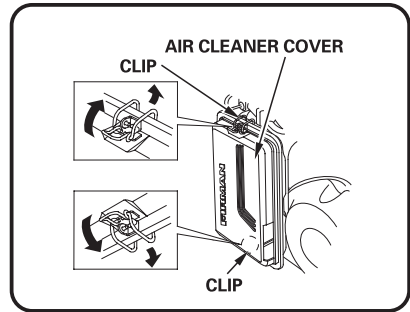


- Use fresh and high quality lubricating oil to the specified quantity.  
If contaminated or deteriorated oil is used or the quantity of the engine oil is not sufficient, engine damage will result and its life will be greatly shortened.

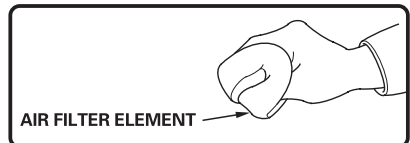
### Air Filter Maintenance

Maintaining an air filter in proper condition is very important. Dirt induced through improperly installed, improperly serviced, or inadequate elements damages and wears out engines. Always keep the element clean.

- (a) Take out the air cleaner, clean it well in kerosene and dry it.



- (b) After wetting the element with clean engine oil squeeze it tight by hand.

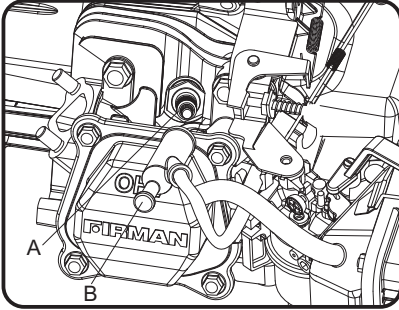


- (c) Lastly, put the element in the case and install it securely.

## Spark Plug Maintenance

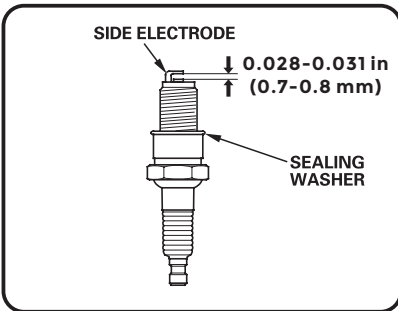
Changing the spark plug will help your engine to start easier and run better.

- (a) Remove the spark plug cap.
- (b) Remove spark plug using provided wrench.



A- Spark plug  
B- Spark plug cap

- (c) Inspect spark plug for damage and clean with a wire brush before reinstalling
- (d) Adjust the electrode gap to 0.028" to 0.031" (0.7 to 0.8 mm).
- (e) Seat spark plug in position and thread by hand to prevent cross threading.
- (f) Tighten plug with provided wrench and put the cap back on spark plug.



SPARK PLUG: TORCH F6RTC  
NGK BPR6ES  
CHAMPION RN9YC or equivalent.

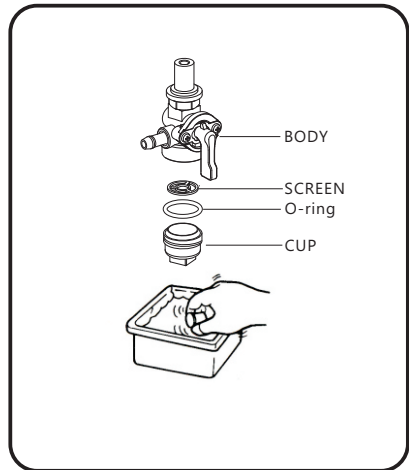
## Maintenance Valve Clearance

- Intake: 0.004 - 0.006 in. (0.1 - 0.15 mm)
- Exhaust: 0.004 - 0.006 in. (0.1 - 0.15 mm)

## Cleaning Fuel Strainer

Dirt and water in the fuel are removed by the fuel strainer.

- (a) Remove the strainer cup and throw away water and dirt.
- (b) Clean the screens and strainer cup with gasoline.
- (c) Tightly fasten the cup to main body, making sure to avoid fuel leak.



## Inspect Muffler and Spark Arrester

Inspect the muffler for cracks, corrosion, or other damage. Remove the spark arrester, if equipped, and inspect for damage or carbon blockage. If replacement parts are required, make sure to use only original equipment replacement parts.

### ⚠ WARNING



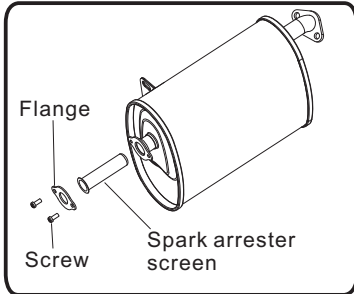
Exhaust heat/gases could ignite combustibles, structures or damage fuel tank causing a fire, resulting in death or serious injury and/or property. Contact with muffler area could cause burns resulting in serious injury.

- **DO NOT** touch hot parts and **AVOID** hot exhaust gases.
- Allow equipment to cool before touching.
- Keep at least 5 feet (1.5 m) of clearance on all sides of generator including overhead.
- Replacement parts must be the same and installed in the same position as the original parts.

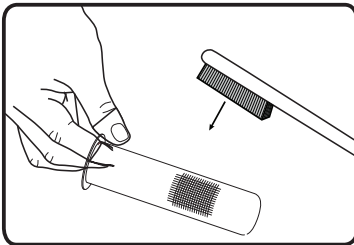
### Clean or replace spark arrester as follows:

Depending on the type fuel used, the type and amount of lubricant used, and/or your operating conditions, the exhaust part and muffler may become blocked with carbon deposits. If you notice power loss, you may need to remove these deposits to restore performance.

1. Allow the engine to cool completely before servicing the spark arrester.
2. Remove the screws securing the spark arrester in place and the remove it from muffler.



3. Carefully remove the carbon deposits from the spark arrester screen with a wire brush.



4. Replace the spark arrester if it is damaged.
5. Position the spark arrester in the muffler and attach with the screws.

Failure to clean the spark arrester will result in degraded engine performance.

### Generator Maintenance

Make certain that the generator is kept clean and stored properly. Only operate the unit on a flat, level surface in a clean, dry operating environment. **DO NOT** expose the unit to extreme conditions, excessive dust, dirt, moisture or corrosive vapours.

#### NOTICE

**DO NOT** use a garden hose to clean the generator. Water can enter the generator through the cooling slots and damage the generator windings.

Use a damp cloth to clean exterior surfaces of the generator.

Use a soft bristle brush to remove dirt and oil. Use an air compressor 25 PSI (172 kPa) to clear dirt and debris from the generator.

Inspect all air vents and cooling slots to ensure that they are clean and unobstructed.



## SERVICE AND STORAGE

### Infrequent Service

If the unit is used infrequently, difficult starting may result. To eliminate hard starting, follow these instructions:

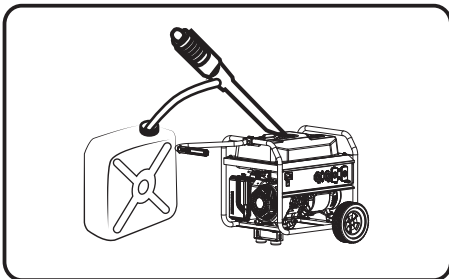
1. Run the generator at least 30 minutes every month.
2. Run the generator, then close the fuel shut-off valve and allow the unit to run until the engine stops.
3. Move the engine switch to the "OFF" position.

### Long Term Storage

It is important to prevent gum deposits from forming in essential fuel system parts such as the carburetor, fuel hoses or tank during storage. Also, experience indicates that alcohol-blended fuels (called gasohol, ethanol or methanol) can attract moisture, which leads to separation and formation of acids during storage. Acidic gas can damage the fuel system of an engine while in storage.

When the generator set is not being operated, or is being stored for more than one month, follow these instructions to avoid engine problems:

- 1-**ADD** a properly formulated commercially **FUEL STABILIZER** to the tank if it is not already added.
- 2-Operate the engine for 5-10 minutes to circulate treated fuel into fuel lines and carburetor before shutdown.
- 3- After engine cools down, remove all gasoline from the fuel tank. Use a commercially available, non-conductive vacuum siphon.



### **⚠ WARNING**

**Drain fuel into approved container outdoors, away from open flame. Be sure engine is cool. Do not smoke.**

4-**FUEL STARVATION:** Start and run the generator until it stops from lack of fuel. This will dry out all remaining fuel in tank, fuel lines and carburetor.

5-Allow the unit to cool entirely before cleaning and storage.

6-Change oil with recommended grade oil.

7-Remove spark plug and pour about one teaspoon of engine oil through the spark plug hole, then pull the recoil starter several times to distribute the oil for lubricating the cylinder. Reattach the spark plug. Pull recoil slowly until resistance is felt. This will close the valves so moisture cannot enter engine cylinder. Gently release recoil starter.

8-Keep the engine switch and fuel valve on "OFF" position.

9-Cover the unit and store in a clean, dry place out of direct sunlight. **NEVER USE WATER TO CLEAN GENERATOR.**

### NOTICE

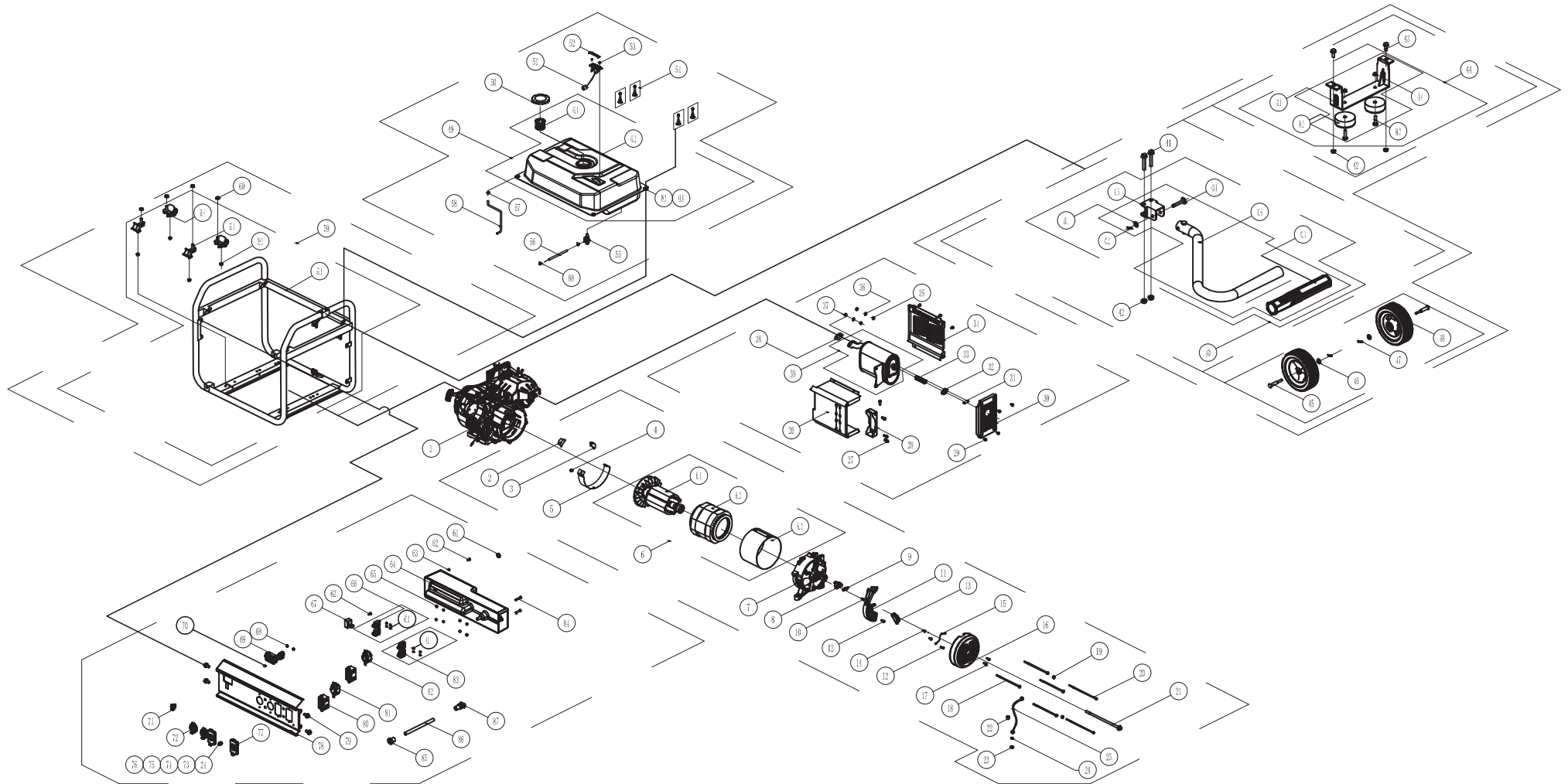
- We recommend always using a fuel stabilizer. A **FUEL STABILIZER** will minimize the formulation of fuel gum deposits during storage, the fuel stabilizer can be added to the gasoline in the fuel tank, or into the gasoline in a storage container.
- If it is not practical to empty the fuel tank and the unit is to be stored for some time, use a commercially available **FUEL STABILIZER** added to the gasoline to increase the life of the gasoline. Run the unit for 5-10 minutes, turn off the fuel valve and allow to run until engine stops from lack of fuel (**FUEL STARVATION**).
- Any damages or hazards caused by using improper fuel, improperly stored fuel, and/or improperly formulated stabilizers, are not covered by manufacturer's warranty.
- Do not store gasoline from one season to another season.

## TROUBLE SHOOTING

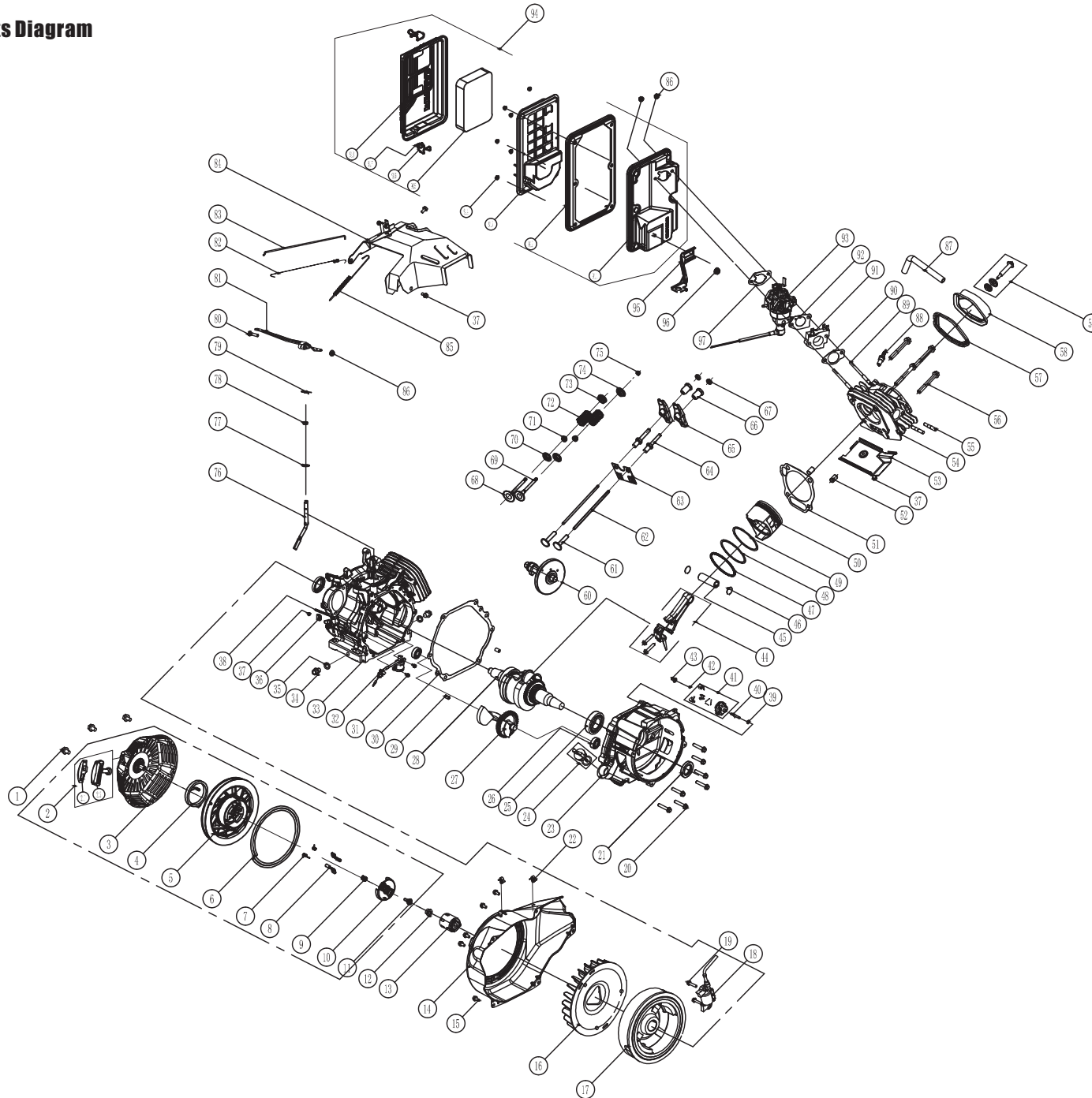
Problem	Cause	Correction
<b>Engine is running, but no AC output is available.</b>	<ol style="list-style-type: none"> <li>1. Circuit breaker is open.</li> <li>2. Fault in generator.</li> <li>3. Poor connection or defective cord set.</li> <li>4. Connected device is bad.</li> </ol>	<ol style="list-style-type: none"> <li>1. Reset circuit breaker.</li> <li>2. Contact authorized service facility.</li> <li>3. Check and repair.</li> <li>4. Connect another device that is in good condition.</li> </ol>
<b>Engine runs good at no-load but "bogs down" when loads are connected.</b>	<ol style="list-style-type: none"> <li>1. Short circuit in a connected load.</li> <li>2. Engine speed is too slow.</li> <li>3. Generator is overloaded.</li> <li>4. Shorted generator circuit.</li> <li>5. Clogged or dirty fuel filter.</li> </ol>	<ol style="list-style-type: none"> <li>1. Disconnect shorted electrical load.</li> <li>2. Contact authorized service facility.</li> <li>3. See Don't Overload Generator</li> <li>4. Contact authorized service facility.</li> <li>5. Clean or replace fuel filter.</li> </ol>
<b>Engine will not start; starts and runs rough or shuts down when running.</b>	<ol style="list-style-type: none"> <li>1. Engine switch set to OFF (O) position.</li> <li>2. Fuel shutoff lever is in OFF (O) position.</li> <li>3. Low oil level.</li> <li>4. Dirty air cleaner.</li> <li>5. Out of fuel.</li> <li>6. Stale fuel.</li> <li>7. Spark plug wire not connected to spark plug.</li> <li>8. Bad spark plug.</li> <li>9. Water in fuel.</li> <li>10. Flooded.</li> <li>11. Excessively rich fuel mixture.</li> <li>12. Intake valve stuck open or closed.</li> <li>13. Engine has lost compression.</li> <li>14. Clogged or dirty fuel filter.</li> </ol>	<ol style="list-style-type: none"> <li>1. Set engine switch to ON (I) position.</li> <li>2. Move fuel shutoff lever to ON (I) position.</li> <li>3. Fill crankcase to proper level or place generator on level surface.</li> <li>4. Clean or replace air cleaner.</li> <li>5. Fill fuel tank.</li> <li>6. Drain fuel tank and carburetor; fill with fresh fuel.</li> <li>7. Connect wire to spark plug.</li> <li>8. Replace spark plug.</li> <li>9. Drain gas tank and carburetor; fill with fresh fuel.</li> <li>10. Wait 5 minutes and re-crank engine.</li> <li>11. Contact authorized service facility.</li> <li>12. Contact authorized service facility.</li> <li>13. Contact authorized service facility.</li> <li>14. Clean or replace fuel filter.</li> </ol>
<b>Engine lacks power.</b>	<ol style="list-style-type: none"> <li>1. Load is too high.</li> <li>2. Dirty air filter.</li> <li>3. Clogged or dirty fuel filter.</li> <li>4. Clogged spark arrester.</li> </ol>	<ol style="list-style-type: none"> <li>1. Don't Overload Generator</li> <li>2. Replace air filter.</li> <li>3. Clean or replace fuel filter.</li> <li>4. Clean or replace spark arrester.</li> </ol>
<b>Engine "hunts" or falters.</b>	<ol style="list-style-type: none"> <li>1. Carburetor is running too rich or too lean.</li> <li>2. Clogged or dirty fuel filter.</li> </ol>	<ol style="list-style-type: none"> <li>1. Contact authorized service facility.</li> <li>2. Clean or replace fuel filter.</li> </ol>
<b>Engine shuts down when running.</b>	<ol style="list-style-type: none"> <li>1. Out of fuel.</li> <li>2. Dirty air cleaner.</li> <li>3. Low oil level.</li> </ol>	<ol style="list-style-type: none"> <li>1. Fill fuel tank.</li> <li>2. Clean or replace air cleaner.</li> <li>3. Fill crankcase to proper level or place generator on level surface.</li> </ol>

# PARTS DIAGRAM AND PARTS LIST

## PO6701 PARTS DIAGRAM



# FIRMAN 389cc Engine Parts Diagram



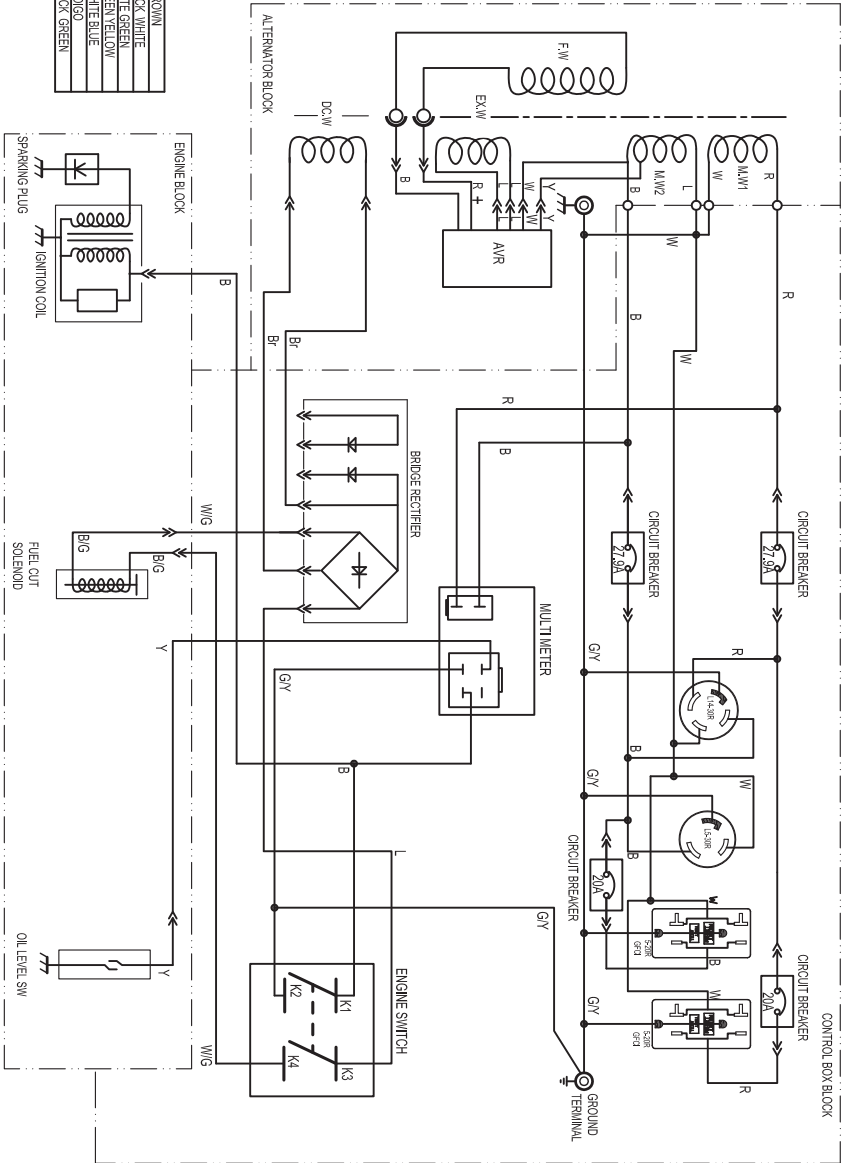
## P06701 Parts List

NO.	Part Number	Description	Qty.	NO.	Part Number	Description	Qty.
1	357713500	FIRMAN 389cc Engine	1	44.3	336713561	Flange. Bolt M6×25	2
2	357713501	Rubber Cap B	1	44.4	336723555	Nut M6	2
3	357713524	Build Up,fore-cover A	1	45	357713535	Axle Pin	2
4	336713528	Flange. Bolt M6×8	1	46	357713514	Flat Washer Ø10	2
5	357713573	Generator Wind Shield	1	47	357713536	Cotter Pin	2
6	367418300	Alternator Assy	1	48	357713534	Wheel	2
6.1	367418301	Rotor Comp	1	49	357713528	Fuel Tank Assy	1
6.2	367418302	Stator Assy	1	49.1	336713548	Fuel Filter, Wire Mesh	1
6.3	357713505	Stator Cover	1	49.2	357713528	Fuel Tank	1
7	357713506	Generator End Cover	1	49.3	336713542	Grommet, Fuel Tank	4
8	357713507	Carbon Brush Assembly	1	49.4	357713600	Bushing	4
9	336713525	Carbon Brush Holder	1	50	336713549	Fuel Tank Cap Comp.	1
10	357713563	Bolt &washer Assemblies	1	51	357713529	Fuel Gauge Assy.	1
11	367718300	AVR	1	52	336713546	Screw M5×10	2
12	336713519	Flange. Bolt M5×16	3	53	336713547	Fuel Gauge Display	1
13	336713523	Terminal Block	1	54	393713018	Bolt M6×20	4
14	336713520	Bolt &washer Assemblies	2	55	336713551	Fuel Valve	1
15	357713599	Neutral Wire	1	56	380713510	Hose,fuel	1
16	357713509	Generator End Cover Cap	1	57	336713540	Clamp Ø8×6	1
17	336713507	Flange. Bolt M5×12	2	58	357713525	Formed Vapor Hose	1
18	336713511	Flange Bolt M6×179	4	59	357713562	Frame Assy	1
19	336713577	Nut M5	2	59.1	357718300	Frame	1
20	357713510	Side Cover Bolt M5×214	2	59.2	357713531	Nut M10	4
21	357713512	Flange Bolt M10×265	1	59.3	357713532	Isolator II	2
22	336718301	Flange. Bolt M6×12	1	59.4	357713533	Isolator I	2
23	336713517	Nut M6	1	60	357713531	Nut M10	4
24	336713516	External Teeth Lock Washer Ø6	2	61	336713564	Grommet	1
25	357713601	Ground Wire	1	62	336713565	Screw M5×14	3
26	357713523	Guard,muff.,back	1	63	329713608	Flat Washers	2
27	336713531	Flange. Bolt M8×20	4	64	357713539	Control Box	1
28	357713515	Bracket,muff	1	65	336713568	Nut M4	8
29	336718302	Flange. Bolt M6×12	7	66	367718300	Circuit Breaker Amp 28a	2
30	357713516	Protector, Muff.,side	1	66.1	336713569	Screw&washer Assy M4×8	4
31	336713538	Screw&washer Assy M5×14	2	67	357713565	Diode Module	1
32	357713517	Holder, Spark Arrester	1	68	336713567	Nut M3	2
33	336713536	Arrester,spark	1	69	336713570	Multi Meter	1
34	357713518	Protector,muff.,front	1	70	336713569	Screw&washer Assy M4×8	1
35	336713534	Nut M8	2	71	336718306	Engine Switch	1
36	336713509	Spring Washer Ø8	2	72	336713573	Outlet Cover L5-30R	2
37	336713533	Flat Washer Ø8	2	73	357713542	Flange. Bolt M6×22	2
38	357713520	Gskt.,ext.	1	74	357713543	Nut M6	2
39	357713521	Muff.,assy.	1	75	336713512	Lock Washer Ø6	2
40	357413505	Handle Assembly	1	76	336713513	Flat Washer Ø6	2
40.1	336713591	Flat Washer(ø8.2×ø17×0.8)	1	77	357713541	Outlet Cover 5-20R GFCI	2
40.2	336713590	Pin, Shaft	1	78	357713559	Control Panel	1
40.3	357713519	Cover, Handle	1	79	336718302	Flange. Bolt M6×12	4
40.4	336713594	Pin, Handle	1	80	357713547	Receptacle GFCI	2
40.5	357713526	Bracket, Handle	1	81	336713832	Receptacle L5-30R	1
40.6	357713522	Handle	1	82	336713601	Receptacle L14-30R	1
41	357713527	Flange. Bolt M8×50	2	83	330713594	Circuit Breaker Amp20A	2
42	336713558	Nut M8	4	83.1	336713569	Screw&washer Assy M4×8	4
43	336713559	Flange. Bolt M8×16	2	84	336713589	Screw&washer Assy M5×38	1
44	357413506	Support Leg Assembly	1	85	357713545	Grommet	1
44.1	357713538	Support Leg	1	86	357713546	Sleeve	1
44.2	336713557	Rubber, Support	2	87	357713548	Grommet	1
				88	357713548	Clamp	2



# Wiring Diagram

B	BLACK	Br	BROWN
Y	YELLOW	BW	BLACK WHITE
L	BLUE	WV	WHITE GREEN
G	GREEN	GY	GREEN YELLOW
R	RED	WL	WHITE BLUE
W	WHITE	In	INDIGO
Gr	GRAY	BIG	BLACK GREEN



---

---

## SERVICE INFORMATION

### CONTACT THE FIRMAN PRODUCT SERVICE DEPARTMENT AT 1-844-347-6261

or at

[www.firmanpowerequipment.com](http://www.firmanpowerequipment.com)

**to obtain warranty service  
information or to order  
replacement parts or  
accessories.**

## HOW TO ORDER REPLACEMENT PARTS

Even quality built equipment such as the electric generator you have purchased might need occasional replacement parts to maintain it in good condition over the years. To order replacement parts, please give the following information:

1. Model No., Rev. Level and Serial No. and all specifications shown on the Model No./Serial No. plate.
2. Parts number or numbers as shown in the Parts List section.
3. A brief description of the trouble with the generator.

## REGISTER YOUR PRODUCT

Register your Firman generator online at [www.firmanpowerequipment.com](http://www.firmanpowerequipment.com)

## WARRANTY

### FIRMAN Three (3) Year Limited Warranty

#### Warranty Qualifications

FIRMAN GENERATOR will register the warranty upon receipt of your Warranty Registration Card and a copy of your sales receipt from one of FIRMAN's retail locations as proof of purchase. Please submit your warranty registration and your proof of purchase within ten (10) days of the date of purchase.

#### Repair/Replacement Warranty

FIRMAN warrants to the original purchaser that the mechanical and electrical components will be free of defects in material and workmanship for a period of one (1) year (parts and labor) and three (3) years (parts) from the original date of purchase 90 days [parts and labor] and 180 days [parts] for commercial & industrial use.

Transportation charges on product submitted for repair or replacement under this warranty are the sole responsibility of the purchaser.

This warranty only applies to the original purchaser and is not transferable.

#### Do Not Return the Unit to the Place of Purchase

Contact the FIRMAN Service Center and FIRMAN will troubleshoot any issue via phone or e-mail. If the problem is not corrected by this method, FIRMAN will, at its option, authorize evaluation, repair or replacement of the defective part or component at a FIRMAN Service Center. FIRMAN will provide you with a case number for warranty service. Please keep it for future reference. Repairs or replacements without prior authorization, or at an unauthorized repair facility, will not be covered by this warranty.

#### Warranty Exclusions

This warranty does not cover the following repairs and equipment:

##### Normal Wear

Your product needs periodic parts and service to perform well. This warranty does not cover repair when normal use has exhausted the life of a part or the equipment as a whole.



---

---

## Installation, Use and Maintenance

This warranty will not apply to parts and/or labor if your product is deemed to have been misused, neglected, involved in an accident, abused, loaded beyond the generator's limits, modified, installed improperly or connected incorrectly to any electrical component.

Normal maintenance is not covered by this warranty.

## Other Exclusions

This warranty excludes:

- cosmetic defects such as paint, decals, etc.
- wear items
- accessory parts
- failures due to acts of God and other force majeure events beyond the manufacturer's control
- problems caused by parts that are not original FIRMAN parts
- units used for prime power in place of existing utility power where utility is present or in place of utility power where utility power service does not normally exist.

## Limits of Implied Warranty and Consequential Damage

FIRMAN disclaims any obligation to cover any loss of time, use of this product, freight, or any incidental or consequential claim by anyone from using this product. THIS WARRANTY IS IN LIEU OF ALL OTHER WARRANTIES, EXPRESS OR IMPLIED, INCLUDING WARRANTIES OF MERCHANTABILITY OR FITNESS FOR A PARTICULAR PURPOSE.

A unit provided as an exchange will be subject to the warranty of the original unit. The length of the warranty governing the exchanged unit will remain calculated by reference to the purchase date of the original unit.

This warranty gives you certain legal rights which may change from state to state. Your state may also have other rights you may be entitled to that are not listed within this warranty.

## Contact Information

You may contact FIRMAN at:

### Address

FIRMAN Power Equipment Inc.  
Attn: Customer Service  
8716 W LUDLOW DR. SUITE 6  
Peoria, AZ 85381  
[www.firmanpowerequipment.com](http://www.firmanpowerequipment.com)

*We are FIRMAN POWER - And we are here for you.*

---

---

# FIRMAN POWER EQUIPMENT INC. Emission Control System Warranty

## CALIFORNIA AND FEDERAL EXHAUST AND EVAPORATIVE EMISSIONS CONTROL WARRANTY STATEMENT

### YOUR WARRANTY RIGHTS AND OBLIGATIONS

The California Air Resources Board, US Environmental Protection Agency ("US EPA") and FIRMAN POWER EQUIPMENT INC.(FIRMAN) are pleased to explain the emissions control systems warranty on your 2020-2021 or later Small Off-Road Engine ("SORE") and engine powered equipment. In California, new equipment that use small off-road engines must be designed, built and equipped to meet the State's stringent anti-smog standards. FIRMAN must warrant the emissions control systems on your SORE and engine powered equipment for the periods of time listed below provided there has been no abuse, neglect or improper maintenance of your small off-road engine or equipment leading to the failure of the emissions control system. Your emissions control system may include parts such as the carburetor or fuel-injection system, the ignition system, catalytic converter, fuel tanks, fuel lines (for liquid fuel and fuel vapors), fuel caps, valves, canisters, filters, clamps and other associated components. Also included may be hoses, belts, connectors, and other emission-related assemblies.

Where a warrantable condition exists, FIRMAN will repair your SORE and engine powered equipment at no cost to you including diagnosis, parts and labor.

### MANUFACTURER'S WARRANTY COVERAGE:

The exhaust and evaporative emissions control system on your small off-road engine and engine powered equipment is warranted for two years. If any emissions-related part on your small off-road engine and engine powered equipment is defective, the part will be repaired or replaced by FIRMAN.

### OWNER'S WARRANTY RESPONSIBILITIES:

As the SORE and engine powered equipment owner, you are responsible for the performance of the required maintenance listed in your owner's manual. FIRMAN recommends that you retain all receipts covering maintenance on your SORE and engine powered equipment, but FIRMAN cannot deny warranty coverage solely for the lack of receipts or for your failure to ensure the performance of all scheduled maintenance.

As the SORE and engine powered equipment owner, you should however be aware that FIRMAN may deny you warranty coverage if your small off-road engine or engine powered equipment or a part has failed due to abuse, neglect, or improper maintenance or unapproved modifications.

You are responsible for presenting your small off-road engine and engine powered equipment to a FIRMAN distribution center or service center as soon as the problem exists. The warranty repairs shall be completed in a reasonable amount of time, not to exceed 30 days.

If you have any questions regarding your warranty rights and responsibilities, you should contact FIRMAN at 1-844-347-6261.

### FIRMAN Emission Control Defects Warranty Provisions

The warranty period begins on the date the engine/equipment is delivered to an ultimate purchaser. FIRMAN warrants to the ultimate purchaser and each subsequent purchaser that the engine is:

Designed, built, and equipped so as to conform with all applicable regulations adopted by the Air Resources Board and US EPA; and Free from defects in materials and workmanship that cause the failure of a warranted part to be identical in all material respects to the part as described in the engine manufacturers application for certification.

#### The warranty on emissions-related parts is as follows:

- (1) Any warranted part that is not scheduled for replacement as required maintenance in the owner's manual supplied, is warranted for the warranty period stated above. If any such part fails during the period of warranty coverage, the part will be repaired or replaced by FIRMAN at no charge to the owner. Any such part repaired or replaced under the warranty will be warranted for the remaining warranty period.
- (2) Any warranted part that is scheduled only for regular inspection in the owner's manual supplied, is warranted for the warranty period stated above. Any such part repaired or replaced under warranty will be warranted for the remaining warranty period.
- (3) Any warranted part that is scheduled for replacement as required maintenance in the owner's manual supplied, is warranted for the period of time prior to the first scheduled replacement point for that part. If the part fails prior to the first scheduled replacement, the part will be repaired or replaced by FIRMAN at no charge to the owner. Any such part repaired or replaced under warranty will be warranted for the remainder of the period prior to the first scheduled replacement point for the part.
- (4) Repair or replacement of any warranted part under the warranty must be performed at no charge to the owner at a warranty station.
- (5) Notwithstanding the provisions of Subsection (4) above, warranty services or repairs must be provided by FIRMAN that are franchised to service the subject engines.
- (6) The owner must not be charged for diagnostic labor that leads to the determination that a warranted part is in fact defective, provided that such diagnostic work is performed at a warranty station.
- (7) FIRMAN is liable for damages to other engine components proximately caused by a failure under warranty of any warranted part.

- (8) Throughout the emissions warranty period defined in Subsection (b)(2), FIRMAN will maintain a supply of warranted parts sufficient to meet the expected demand for such parts.
- (9) Any replacement part may be used in the performance of any warranty maintenance or repairs and must be provided without charge to the owner. Such use will not reduce the warranty obligations of the manufacturer.
- (10) Add-on or modified parts that are not exempted by the Air Resources Board may not be used. The use of any non-exempted add-on or modified parts by the ultimate purchaser will be grounds for disallowing a warranty claim.
- The manufacturer will not be liable to warrant failures of warranted parts caused by the use of a non-exempted add-on or modified part.

**PARTS COVERED BY WARRANTY**

Listed below are the parts (if equipped) covered by the Federal and California Emission Control System Warranty.

<p>1. Ignition system including:</p> <ul style="list-style-type: none"> <li>- Spark plug</li> <li>- Ignition coil</li> </ul>	<p>4. Air induction system including:</p> <ul style="list-style-type: none"> <li>- Intake pipe/manifold</li> <li>- Air cleaner</li> </ul>
<p>2. Fuel metering system:</p> <ul style="list-style-type: none"> <li>- Fuel tank</li> <li>- Fuel cap</li> <li>- Fuel lines (for liquid fuel and fuel vapors) and related fittings/clamps</li> <li>- Fuel regulator, carburetor and internal parts.</li> </ul>	<p>5. Crankcase breather assembly including:</p> <ul style="list-style-type: none"> <li>- Breather connection tube</li> </ul>
<p>3. Catalytic muffler assembly including:</p> <ul style="list-style-type: none"> <li>- Exhaust manifold</li> <li>- Catalytic converter</li> <li>- Muffler gasket</li> <li>-pulse valve</li> </ul>	<p>6. Fuel tank evaporative emission control system including:</p> <ul style="list-style-type: none"> <li>- Purge valves</li> <li>- Carbon canister</li> <li>- Vapor hoses and fitting/clamps</li> </ul>

**Limitations**

This Emission Control System Warranty shall not cover any of the following:

- (a) Consequential damages such as loss of time, inconvenience, loss of use of the engine or equipment, etc.
- (b) Diagnosis and inspection fees that do not result in eligible warranty service being performed.

FIRMAN POWER EQUIPMENT INC.  
[www.firmanpowerequipment.com](http://www.firmanpowerequipment.com)

# **FOLLOW US ON SOCIAL**

**USE**

**#EVERYGENERATORTELLSASTORY™**

**FOR YOUR CHANCE TO WIN FIRMAN SWAG**

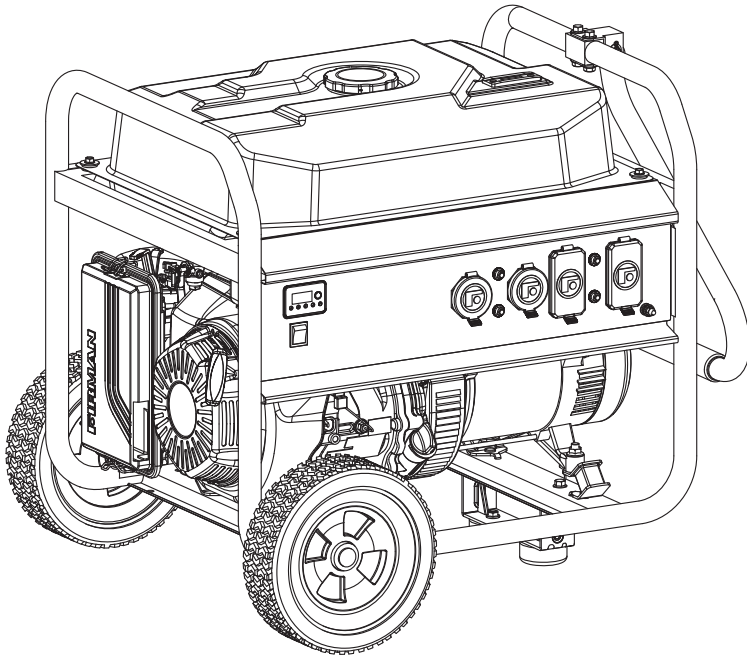


**FIRMAN POWER EQUIPMENT INC.**  
**8716 W LUDLOW DR. SUITE 6**  
**PEORIA, AZ 85381**  
**1-844-347-6261**  
**WWW.FIRMANPOWEREQUIPMENT.COM**

All rights reserved. Any reprinting or unauthorized use without the written permission is expressly prohibited.  
P/N:367745450 Rev 01

# FIRMAN<sup>®</sup>

## MANUAL DEL OPERADOR GENERADOR PORTÁTIL DE GASOLINA



NÚMERO DE MODELO  
**P06701**

Rev Nivel: 00

Registre la información del producto como referencia cuando solicite partes u obtenga la cobertura de la garantía.

**STOP** DO NOT RETURN TO STORE!

CALL US FIRST  
**1-844-347-6261**

FOR QUESTIONS OR SERVICE INFORMATION

NÚMERO DE SERIE: \_\_\_\_\_

FECHA DE COMPRA: \_\_\_\_\_

# Índice de Contenido

<b>Introducción</b> . . . . .	1	<b>Mantenimiento Y Almacenamiento.</b> . . . . .	19
<b>Precauciones De Seguridad</b> . . . . .	2	Programa de Mantenimiento . . . . .	19
<b>Desempaquetar El Generador.</b> . . . . .	6	Mantenimiento del Motor . . . . .	20
Piezas Incluidas. . . . .	6	Cambiar El Aceite Del Motor. . . . .	20
<b>Montaje.</b> . . . . .	7	Mantenimiento del Filtro De Aire. . . . .	20
Instalar El Equipo De Ruedas. . . . .	7	Mantenimiento de La Bujía. . . . .	21
Instalar La Pata De Apoyo. . . . .	7	Limpieza del Filtro de Carburante . . . . .	21
Instalar La Manivela. . . . .	7	Inspeccionar El Silenciador Y El	
<b>Controles Y Características.</b> . . . . .	8	Apagachispas . . . . .	21
Generador. . . . .	8	Mantenimiento del Generador . . . . .	22
Panel De Control. . . . .	9	Servicio Y Almacenamiento . . . . .	23
<b>Especificaciones.</b> . . . . .	11	<b>Solucion de Problemas</b> . . . . .	24
Añadir Aceite Al Motor . . . . .	12	<b>Diagrama de Las Piezas Y Lista de Piezas</b> . 25	
Apagado Por Bajo Nivel De Aceite . . . . .	12	Diagrama de Las Piezas(Generador) . . . . .	25
Añadir Combustible . . . . .	13	Diagrama de Las Piezas(Motor) . . . . .	26
Funcionamiento A Gran Altitud . . . . .	14	Lista de Piezas . . . . .	27
Toma de Tierra. . . . .	14	Diagrama de cableado . . . . .	29
Sistema Electrico De Conexion a un		<b>Información de Servicio.</b> . . . . .	30
Edificio. . . . .	14	<b>Garantía.</b> . . . . .	30
<b>Funcionamiento</b> . . . . .	15		
Ubicación del Generador . . . . .	15		
Protección Contra Sobrecargas . . . . .	15		
Poner En Marcha El Generador. . . . .	16		
Conexión de Cargas Eléctricas. . . . .	17		
Parada del Motor . . . . .	17		
Desconexión Por Nivel de Aceite Bajo . .	18		
No Sobrecargue El Generador . . . . .	18		

# INTRODUCCIÓN

Muchas gracias por comprar el generador FIRMAN.

**Este manual contiene** información de seguridad para que usted tome conciencia de los peligros y riesgos asociados a los productos electrógenos y para saber cómo puede evitarlos. Este generador está diseñado y previsto solo para suministrar energía eléctrica para operar con iluminación, aparatos, herramientas y cargas de motor compatibles, y no está previsto para ningún otro propósito. Es importante que usted lea y entienda completamente estas instrucciones antes de intentar empezar a operar con este equipo.

**Guarde estas instrucciones originales para consultas futuras.**

Este manual incluye el funcionamiento y el mantenimiento de los generadores FIRMAN. Toda información incluida en esta publicación está basada en la información de producción más actualizada disponible en el momento de la aprobación para impresión. El fabricante se reserva el derecho a modificar, alterar o, de otro modo, mejorar el generador y esta documentación en cualquier momento sin ningún cambio previo.

## Información de Seguridad Importante

El fabricante no puede anticipar con posibilidad todas las circunstancias posibles que puedan implicar un peligro. Es decir, las advertencias en este manual y las etiquetas y pegatinas adheridas en la unidad no incluyen todas las posibilidades. Si usted sigue un procedimiento, un método de trabajo o una técnica de funcionamiento que el fabricante no recomienda específicamente, deberá confiar usted mismo de que ello es seguro para usted y para otros. Usted también debe asegurarse de que el método de trabajo y proceso o técnica de funcionamiento que elija no le aporta peligrosidad al generador.

### INFORMACIÓN DE SEGURIDAD



#### PELIGRO

PELIGRO indica una situación potencialmente peligrosa que, si no se evita, **RESULTARÁ** en muerte o lesión grave.



#### ADVERTENCIA

ADVERTENCIA indica una situación potencialmente peligrosa que, si no se evita, podría resultar en muerte o lesión grave.



#### PRECAUCIÓN

PRECAUCIÓN indica una situación potencialmente peligrosa que, si no se evita, podría resultar en una lesión humana menor o moderada, o en daños en la propiedad.



Gases tóxicos



Riesgo de descarga eléctrica



Peligro de incendio



Peligro de explosión



Superficie caliente.  
No tocar la superficie.



Peligro de entrelazamiento  
entre las piezas en rotación






Retroceso



Manual del Operario

## PRECAUCIONES DE SEGURIDAD

<b>⚠ PELIGRO</b>			
Utilizar un generador en el interior PUEDE MATARLE EN CUESTIÓN DE MINUTOS. El tubo de escape del generador contiene monóxido de carbono. Se trata de un gas tóxico que no se ve ni se huele.			
			
<b>NUNCA</b> lo use en el interior de una casa o de un garaje, <b>INCLUSO</b> SI las puertas o las ventanas están abiertas.		Utilizar solo <b>EN EL EXTERIOR</b> y lejos de ventanas, puertas y conductos de ventilación.	
Evitar otros peligros del generador. <b>LEA EL MANUAL ANTES DE USAR.</b>			

### ⚠ PELIGRO

#### PELIGRO DE GAS VENENOSO.



El escape del motor contiene monóxido de carbono, un gas venenoso que podría ser mortal en minutos. No podrá olerlo, ni verlo, ni probarlo. Incluso si no huele los gases de escape, podría estar expuesto al gas de monóxido de carbono.

- Opere este producto ÚNICAMENTE en el exterior, lejos de ventanas, puertas y respiraderos para reducir el riesgo de que el gas de monóxido de carbono se acumule y sea potencialmente conducido hacia espacios ocupados.
- Instale alarmas de monóxido de carbono a batería o conecte las alarmas de monóxido de carbono con batería de respaldo de acuerdo con las instrucciones del fabricante. Los detectores de humo no pueden detectar el gas de monóxido de carbono.
- NO haga funcionar este producto dentro de casas, garajes, sótanos, espacios de acceso, cobertizos u otros espacios parcialmente cerrados, incluso si utiliza ventiladores o abre puertas y ventanas para la ventilación. El monóxido de carbono puede acumularse rápidamente en estos espacios y puede permanecer durante horas, incluso después de que este producto se haya apagado.

- Coloque SIEMPRE este producto a favor del viento y apunte el escape del motor lejos de los espacios ocupados. Si comienza a sentirse enfermo, mareado o débil mientras usa este producto, apáguelo y salga al aire fresco INMEDIATAMENTE. Consulte a un médico. Es posible que sufra una intoxicación por monóxido de carbono.

### PARA LOS RESIDENTES DE CALIFORNIA

**⚠ ADVERTENCIA:** Este producto y el escape del motor de este producto pueden exponerlo a productos químicos, incluido CO, que en el estado de California son conocidos por causar cáncer o causar defectos de nacimiento u otros daños reproductivos. Para obtener más información, vaya a [www.P65Warnings.ca.gov](http://www.P65Warnings.ca.gov).

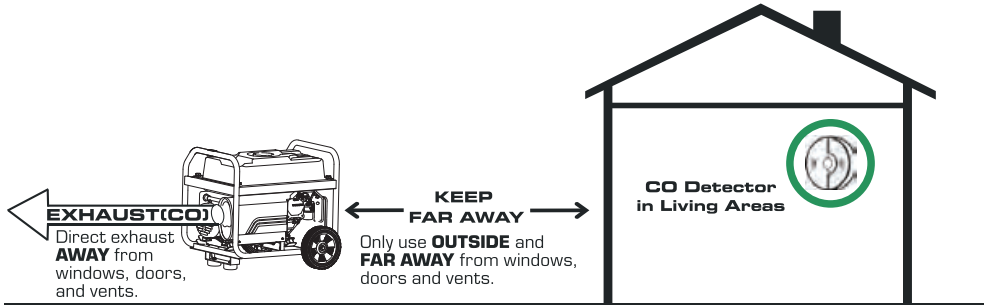
- NO haga funcionar este producto dentro de casas, garajes, sótanos, espacios de acceso, cobertizos u otros espacios parcialmente cerrados, incluso si utiliza ventiladores o abre puertas y ventanas para la ventilación. El monóxido de carbono puede acumularse rápidamente en estos espacios y puede permanecer durante horas, incluso después de que este producto se haya apagado.



## USO CORRECTO

### Ubicación ejemplar para reducir los riesgos de intoxicación por monóxido de carbono

- ISOLO usarse en el exterior y en la dirección del viento, lejos de ventanas, puertas y conductos de ventilación.
- Direccionar el tubo de escape lejos de espacios ocupados.



## USO INCORRECTO

### No utilizar en ninguno de los lugares siguientes:

Cerca de una puerta, ventana o conducto de ventilación

Garaje

Sótano

Sótano de poca altura

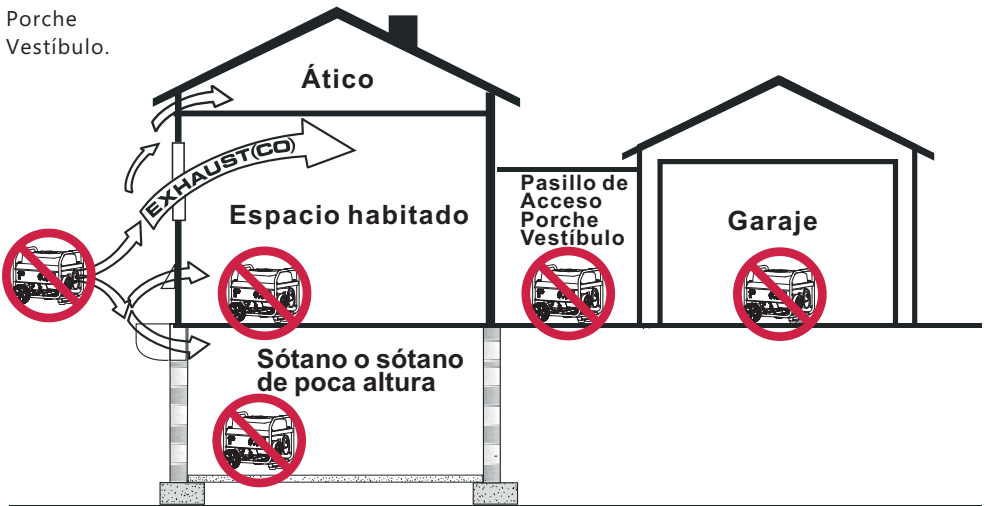
Espacio habitado

Ático

Pasillo de acceso

Porche

Vestíbulo.



## **⚠️ ADVERTENCIA**



El retroceso del cable de arranque (retracción rápida) estirará la mano y el brazo hacia el motor muy rápido y antes de que usted lo pueda soltar, lo cuál podría causar huesos rotos, fracturas, moratones o esguinces, resultando en una grave herida.

- Cuando vaya a poner en marcha el motor, estire el cable poco a poco hasta que note resistencia, y entonces estire rápidamente para evitar el retroceso.
- **NUNCA** ponga en marcha o apague el motor con aparatos eléctricos enchufados y encendidos.

## **⚠️ ADVERTENCIA**



El combustible y sus vapores son extremadamente inflamables y explosivos, lo que podría causar quemaduras, fuego, o una explosión que provoqe la muerte o lesiones graves.

## **AÑADIR O VACIAR COMBUSTIBLE**

- Apague el motor y déjelo enfriar durante al menos 2 minutos antes de quitar el tapón del combustible. Afloje el tapón lentamente para atenuar la presión del depósito. Fill or drain fuel tank outdoors.
- Rellene o vacíe el depósito de combustible en un lugar exterior.
- **NO** llene demasiado el depósito. Deje espacio para la expansión del combustible.
- Si se vierte combustible espere hasta que se evapore antes de poner el motor en marcha.
- Mantenga el combustible lejos de chispas, llamas abiertas, luces piloto, calor y otras fuentes de ignición.
- Revise frecuentemente las líneas, el depósito, el tapón y el equipamiento del combustible y compruebe que no haya grietas o escapes. Reemplázelo si es necesario.
- **NO** encienda un cigarrillo ni fume.

## **PONER EN MARCHA EL EQUIPO**

- Asegúrese de que la bujía, el silenciador, el tapón del combustible y el limpiador de aire están en su sitio.
- **NO** gire el motor con la bujía quitada.

## **PONER EL EQUIPO EN FUNCIONAMIENTO**

- **NO** ponga en funcionamiento este producto dentro de un edificio, garaje abierto, porche, equipamiento móvil, aplicaciones marinas o recintos cerrados.
- **NO** incline el motor o el equipo hacia un ángulo que pueda hacer verter combustible.
- **NO** apague el motor girando el mando del estárter hacia la posición "Start" ("Encender")

## **TRANSPORTAR, MOVER O REPARAR EL EQUIPO**

- Transportar/mover/ reparar con el depósito de combustible VACÍO o con la válvula de interrupción de combustible apagada (OFF).
- **NO** incline el motor o el equipo hacia un ángulo que podría hacer verter combustible.
- Desconecte el cable de la bujía.

## **ALMACENAJE DE COMBUSTIBLE O DEL EQUIPO CON COMBUSTIBLE EN EL DEPÓSITO**

- Almacenar lejos de hornos, estufas, calentadores de agua, secadoras de ropa, u otros aparatos que puedan tener una luz piloto u otras fuentes de ignición, ya que podrían prender fuego al vapor del combustible.

## **⚠️ ADVERTENCIA**

- Este generador no cumple con el Reglamento de la Guardia Costera de los EUA 33CFR-183, y no debería utilizarse en aplicaciones marinas.
- No utilizar el generador apropiado aprobado por la Guardia Costera de los EE. UU. Podría provocar la muerte o lesiones graves.

## **⚠️ ADVERTENCIA**



El voltaje del generador podría causar descargas eléctricas o quemadas resultando en muerte o heridas graves.

- Utilice el equipo de transferencia homologado, y adaptado para el uso intencionado, con tal de prevenir retroalimentación por separar el generador de los operarios eléctricos.

- Cuando utilice el generador como energía de reserva, notifique a la empresa eléctrica.
- **No** usar un interruptor de circuito con falla a tierra (GFCI de las siglas en inglés) en ningún área húmeda o altamente conductora, como entablados de metal u obras de acero.
- **NO** tocar cables o receptáculos pelados.
- **NO** utilizar el generador con cuerdas eléctricas que estén gastadas, peladas o dañadas de algún modo.
- **NO** hacer funcionar el generador bajo la lluvia o con un clima húmedo.
- **NO** manipular el generador o cables eléctricos si se está encima del agua, con los pies descalzos o con las manos o los pies mojados.
- **NO** permitir a personal no calificado o niños que operen o sirvan el generador.

### **ADVERTENCIA**



El calor/los gases de escape podrían encender combustibles, estructuras o dañar el tanque de combustible causando un incendio, lo que provocaría la muerte o lesiones graves.

El contacto con el área del silenciador podría causar quemaduras que resulten en lesiones graves.

- **NO** tocar las partes calientes y EVITAR los gases calientes del tubo de escape.
- Dejar que el equipo se enfríe antes de tocarlo.
- Se considera violación del Código de Recursos Públicos de California, Sección 4442, utilizar u operar el motor en cualquier terreno cubierto de árboles, de arbustos o de hierba, excepto si el sistema de escape está equipado con un parachispas, tal y como se describe en la Sección 4442, mantenido en perfecto funcionamiento. Otros estados o jurisdicciones federales pueden tener leyes similares. Contacte con el fabricante original, minorista, o distribuidor del equipo para obtener un parachispas diseñado para el sistema de escape instalado en este motor.
- El recambio de las piezas debe ser el mismo y estar instalado en la misma posición que las piezas originales.

### **ADVERTENCIA**



Chispas no intencionadas podrían provocar un incendio o una descarga eléctrica, resultando en muerte o heridas graves.

### **AJUSTAR O HACER REPARACIONES A SU GENERADOR**

- Desconecte el cable de la bujía de la bujía y coloque el cable donde no pueda haber contacto con la bujía.

### **HACER PRUEBAS PARA LAS CHISPAS DEL MOTOR**

- Utilice un tester para bujías apto
- **NO** revise si hay chispas cuando la bujía esté retirada.

### **ADVERTENCIA**



El interruptor de encendido y otras partes giratorias podrían enredarse con manos, pelo, ropa u otros accesorios, resultando en heridas graves.

- **NUNCA** haga funcionar el generador sin cubierta o sin tapas protectoras.
- **NO** lleve ropa holgada, joyas o nada que pueda atascarse en el interruptor de encendido o en otras partes giratorias.
- Átese los cabellos largos y quítese las joyas.

### **PRECAUCIÓN**

Velocidades de funcionamiento excesivamente altas podrían resultar en heridas menores. Velocidades de funcionamiento excesivamente bajas obligan a una carga pesada.

- **NO** altere el muelle gobernador, los enlaces u otras partes para incrementar la velocidad del motor. El generador suministra una frecuencia y voltajes correctamente evaluados cuando funcionan a una velocidad gobernada.
- **NO** modifique el generador de ninguna manera.

### **AVISO**

Exceder la capacidad de potencia eléctrica/amperaje de los generadores podría dañar el generador y/o los dispositivos eléctricos conectados a él.

- **NO** exceda la capacidad de amperaje y potencia eléctrica del generador.
- Encienda el generador y deje que el motor se establezca antes de conectar las cargas eléctricas.
- Conecte las cargas eléctricas en la posición de apagado (OFF), y luego enciéndalo (ON) para ponerlo en funcionamiento.
- Apague (OFF) las cargas eléctricas y desconéctelas del generador antes de interrumpir el generador.

## AVISO

Un trato inapropiado del generador podría dañarlo y acortarle la vida.

- Utilice el generador solo para usos intencionados.
- Si usted tiene dudas sobre el uso intencionado, pregunte al distribuidor o al centro de servicios locales.
- Haga funcionar el generador solo en superficies niveladas.
- **NO** esponga el generador a excesiva humedad, polvo, suciedad o vapores corrosivos.
- **NO** inserte objetos por las ranuras de refrigeración.
- Si los dispositivos conectados se calientan, apáguelos y desconéctelos del generador.
- Apague el generador si:
  - la potencia de salida eléctrica se ha perdido;
  - el equipo suelta chispas, humo o emite llamas;
  - la unidad vibra excesivamente.

## ⚠ ADVERTENCIA

### Usos para soporte médico y vital.

- En caso de emergencia, llame inmediatamente al 911.
- **NUNCA** use este producto para aparatos de potencia para soporte vital o electrodomésticos de soporte vital.
- **NUNCA** use este producto para aparatos médicos de potencia o electrodomésticos médicos.
- Informe a su proveedor eléctrico inmediatamente si usted o alguien en su hogar depende de un equipo eléctrico para vivir.
- Informe a su proveedor eléctrico inmediatamente si una pérdida de potencia provocaría que usted o alguien en su hogar experimentase una emergencia médica.

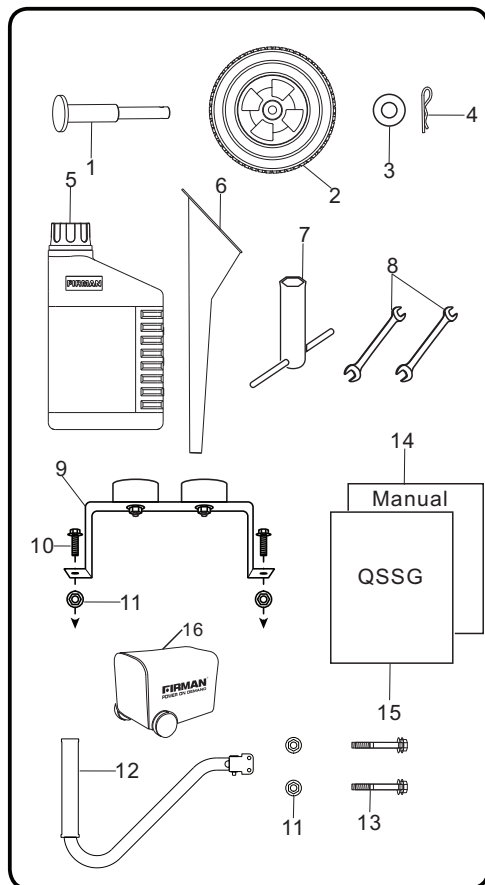
## DESEMPAQUETAR EL GENERADOR

- Abra la caja y retire los materiales del embalaje.
- Retire de la caja el generador, las cajas de los accesorios, y el libro. Si falta algún material o está dañado, contacte con nuestro departamento de servicio de producto al 1-844-347-6261.

## Piezas incluidas

Su generador de potencia de gasolina se envía con las siguientes piezas:

1. Sujetador del eje . . . . . 2
2. Rueda de 10.0" pulgadas . . . . . 2
3. Arandela plana . . . . . 2
4. Chaveta . . . . . 2
5. Aceite . . . . . 1
6. Embudo del aceite . . . . . 1
7. Llave inglesa para la bujía. . . . . 1
8. Llave en dos (10mm & 12mm). . . . . 2
9. Pata de apoyo con soportes de vibración . . 1
10. Tornillo para brida . . . . . 2  
(M8 x 16 para Pata de apoyo) . . . . . 2
11. Contratuerca para brida (M8) . . . . . 4
12. Manivela. . . . . 1
13. Tornillo para brida (M8x50 para manivela) . 2
14. Manual. . . . . 1
15. QSSG. . . . . 1
16. Cubrir . . . . . 1



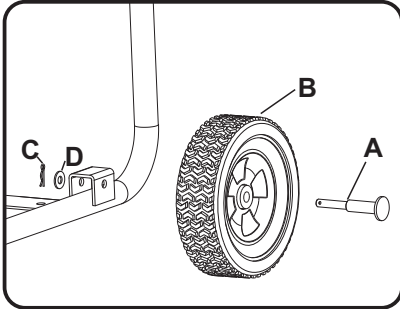
## MONTAJE

El generador requiere un cierto montaje antes de su uso. Si surgiera algún problema durante el montaje del generador, llame al 1-844-347-6261.

### Instalar el Equipo de Ruedas

#### AVISO

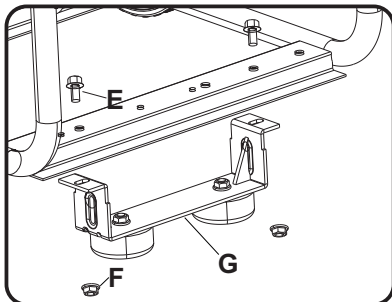
El equipo de ruedas no está previsto para un uso en carretera.



1. Antes de añadir las ruedas, gire el generador hacia un lado.
2. Deslice el sujetador del eje **A** a través de la rueda.
3. Deslice el sujetador del eje **A** a través del punto de montaje en el marco y la arandela **D**.
4. Asegure bien la rueda y el sujetador del eje con la chaveta **C**.
5. Repita los pasos 2-4 para adjuntar la otra rueda.

### Instalar la Pata de Apoyo

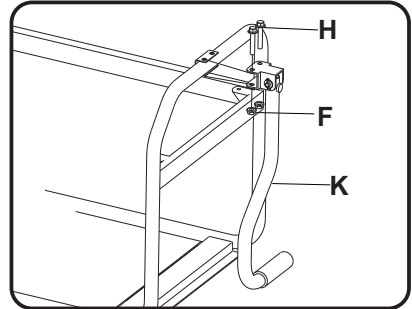
1. Adjunte la pata de apoyo **G** al marco del generador con los tornillos para brida **E** (M8x16) y las contratuercas para brida **F** (M8).
2. Incline lentamente el generador para que se apoye sobre las ruedas y sobre la pata de apoyo.
3. Ajuste el tornillo **E** y la tuerca **F** con las llaves facilitadas.



### Instalar la Manivela

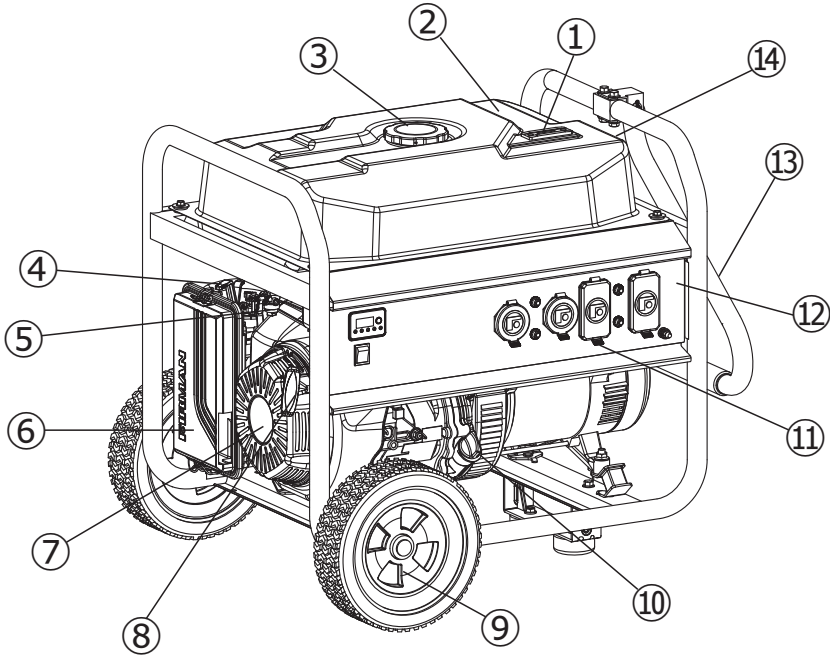
1. Coloque la manivela **K** encima del canal de montaje en el marco.
2. Asegure bien la manivela al marco con la ayuda de dos tornillos para brida para la manivela **H** (M8x50)
3. Coloque una tuerca para brida **F** (M8) en el extremo de cada tornillo y ajústelo con seguridad con las llaves facilitadas.

**NO** apriete demasiado las tuercas para brida.



## CONTROLES Y CARACTERÍSTICAS

### Generador

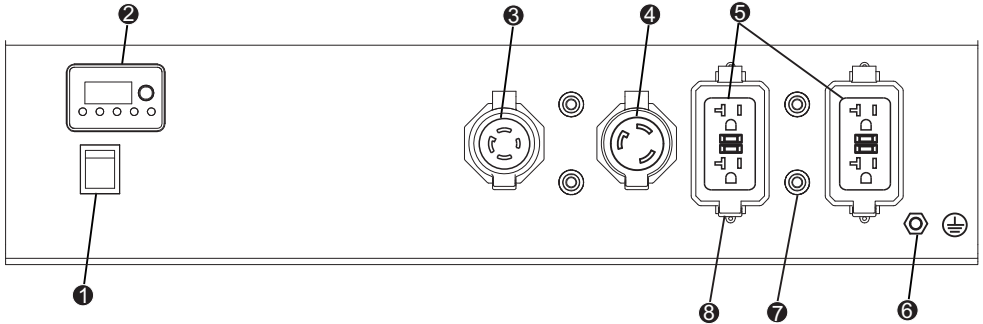


- 1-Medidor de combustible
- 2-Depósito de combustible con capacidad para 8.0galones(30L)
- 3-Tapón del combustible
- 4-Palanca del obturador
- 5-Válvula de combustible
- 6-Filtro de aire
- 7-Motor FIRMÁN OHV 389cc
- 8-Interruptor de encendido de retroceso

- 9-Rueda libre y plana 10.0" (25.4cm)
- 10-Tapón del depósito de aceite
- 11-Cubierta de salida
- 12-Panel de control
- 13-Manivela
- 14-Etiqueta de datos

\*Estamos siempre trabajando para mejorar nuestros productos. Por lo tanto, los productos puede diferir ligeramente de la imagen en esta página.

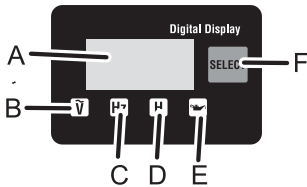
## Control Panel



**AVISO** La potencia total recogida desde todos los receptáculos no debe ser superior a la potencia de la placa de identificación.

- ❶ **Interruptor del motor** – Voltee el interruptor hacia la posición “ON” y estire el interruptor de encendido de retroceso para encender el generador. Voltee hacia la posición “OFF” para apagar el generador.
- ❷ **Medidor multi-monitor** – Pulse el botón SELECT para mostrar el Voltaje, los Hertz y las horas de funcionamiento. Si el indicador de bajo nivel de aceite está encendido, revise el nivel de aceite.
- ❸ **120/240V, 30A Cierre de Giro** – (NEMA L14-30R) La corriente máxima de carga completa puede extraerse de este 120/240 voltios, 27.9 Amperios.
- ❹ **120V, 30A Cierre de Giro** (NEMA L5-30R) 30 Amperios de corriente se puede extraer de este 120 voltios receptáculo.
- ❺ **120V 20a GFCI Dúplex, Tipo Auto-test Versión** – (NEMA 5-20R) 20 Amps de corriente podrían recibirse en el receptáculo. Sin embargo, la potencia total debería mantenerse según la que se indica en la placa de identificación.

Ground Fault Circuit Interruptor cumple con UL 943 y NEC requisitos. Este dispositivo le protege contra descargas eléctricas peligrosas que pueden ser causados si su cuerpo se convierte en un camino a través del cual la electricidad viaja para llegar a tierra. Esto podría suceder cuando usted toca un aparato o el cable que está “vivo” a través del mecanismo defectuoso, aislamiento húmedo o desgastado, etc.



- A - Pantalla digital
- B - Indicador de tensión de CA
- C - Indicador de frecuencia
- D - Indicador horario
- E - Alerta de lubricante bajo
- F - Botón de selección

- ❻ **Terminal de tierra** – Consulte con un electricista acerca del reglamento sobre tomas de tierra locales.
- ❼ **Disyuntores** – Los receptáculos están protegidos por un protector de circuito de corriente alterna. Si el generador está sobrecargado o sucede un cortocircuito externo, el protector de circuito se activará. Si esto ocurre, desconecte todas las cargas eléctricas e intente determinar la causa del problema antes de intentar utilizar de nuevo el generador. Si la sobrecarga es la causante de que se active el protector de circuito, reduzca la carga.  
**Nota: Una activación continuada del protector de circuito podría causar daños al generador o al equipo.** El protector de circuito puede ser reiniciado pulsando el botón del protector.
- ❽ **Cubierta de salida** – Proteja los receptáculos del polvo y de los escombros.

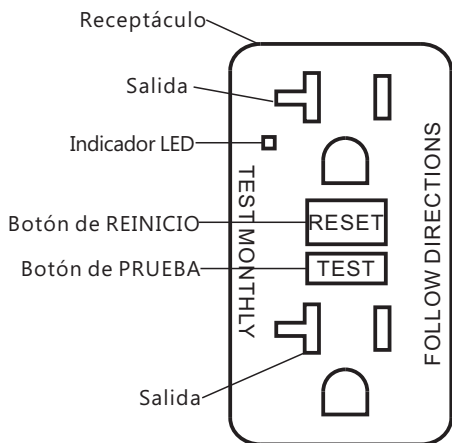
## RECEPTÁCULO GFCI DE 120 VAC, 20 AMP

Esta unidad está equipada con un interruptor de circuito por falla de tierra (GFCI) Este dispositivo cumple los codigos locales, federales y estatales aplicables .

Un receptáculo GFCI es diferente a los receptáculos convencionales. En el caso de una falla de tierra, un GFCI se activará y detendrá rápidamente el flujo de electricidad para evitar danos serios.

Definición: En lugar de seguir su ruta normal segura, la electricidad pasa a través del cuerpo de las personas para llegar a tierra. Por ejemplo, un dispositivo defectuoso puede causar una falla de tierra.

Un receptáculo GFCI NO protege contra sobrecargas del circuito, cortocircuitos, o descargas. Por ejemplo, todavía puede ocurrir una descarga eléctrica si una persona toca cables cargados eléctricamente mientras está parado sobre una superficie no conductiva, como un piso de madera.



Probando el GFCI Pruebe la toma GFCI cada mes de la siguiente manera:

1. Enchufe una lámpara de prueba en el receptáculo.
2. Arranque el generador, la lámpara de prueba debe encenderse.
3. Presione el botón de "Test" ubicado al frente del receptáculo para activar el dispositivo.

4. Esto debe detener el flujo de electricidad haciendo que la lámpara se apague. La luz indicadora GFCI vienen apagado.

5. Para restaurar el flujo de electricidad, presione el botón "Reset" frente al receptáculo. Si el GFCI no se comporta de esta manera, no use el receptáculo. Contacte a algun concesionario de servicio local.

6. La toma está protegida contra sobrecargas por un interruptor de circuito de presionar para reiniciar de 20A. Use la toma para alimentar cargas eléctricas de 120 volts, monofásicas de 60 Ha que requieran hasta una potencia combinada de 2,400 vatios (2.4 Kw) o 20 amperios de corriente.

## FUNCIONAMIENTO AUTO PRUEBA

Un receptáculo de autocomprobación GFCI tiene todas las características de un receptáculo GFCI convencional. En adición,este propio receptáculo pruebas periódicamente para confirmar la electrónica GFCI son funcionales. El estado Luz indicadora será verde cuando el GFCI es alimentado desde el lado de línea y funcionando correctamente.

**Indicaciones Auto-Prueba:** Si la luz de estado Indicador es Rojo o sólido naranja parpadeante puede existir un problema. oprima el botón TEST para desconectar el GFCI. Si no se puede restablecer,sustituir el GFCI.



## SPECIFICATIONS

<b>Modelo</b>	<b>P06701</b>
Vatios de encendido	8350
Vatios en funcionamiento	6700
Voltaje de CA catalogado	120/240V
Frecuencia catalogada	60Hz
Fase	Fase única
Regulador de voltaje	AVR
Factor de potencia	1
Distorsión Armónica Total(THD)	Estándar
Tipo de alternador	Con Cepillo
Motor	FIRMAN
Tipo de motor	Cilindro único, 4-tiempos OHV Enfriamiento por Aire
Cilindrada	389cc
Apagado por nivel de aceite bajo	Yes
Sistema de encendido	Tipo de Encendido sin Ruptor, Flywheel Magneto
Sistema de arranque	Por Retroceso
Fuel Combustible	Gasolina Automotora sin Plomo
Capacidad del depósito para combustible	8.0 Gallon
Capacidad del Aceite lubricante	37.2 oz(1.1L)
Tipo de carburador	Flotador
Filtro de aire	Tipo Poliuretano
Rotación de eje PTO (Toma de Fuerza)	Contar en el sentido de las agujas del reloj (frente a la Toma de Fuerza)
Tipo de aceite	Ver Sección "Añadir Aceite al Motor"
Sistema de puesta a tierra de CA	Neutro Conectado Al Bastidor

\*Este generador está clasificado de acuerdo con ANSI / PGMA G300-2018.

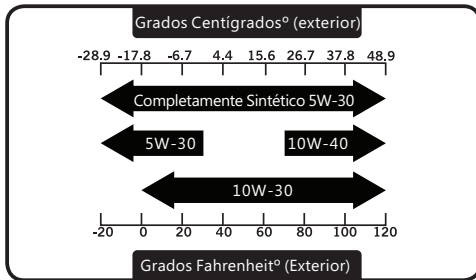
## OPERACIÓN EN CONDICIONES AMBIENTALES ELEVADAS

Su generador FIRMAN posee un rango de temperatura de funcionamiento de 5°F (-15°C) a 104°F (40°C). Al operarse por encima de 73°F (23°C) puede ocurrir una disminución de potencia. La potencia nominal está sujeta y limitada por factores como el BTU del combustible, la altitud, la temperatura ambiente, las condiciones del motor, etc. El vataje nominal disminuye alrededor del 3,5% por cada 1.000 pies sobre el nivel del mar; y también disminuirá alrededor de un 1% por cada 6°C por encima de 23°C. El generador puede funcionar correctamente a temperaturas que van desde 5°F (-15°C) a 122°F (50°C). Si el generador es expuesto a temperaturas fuera de este rango durante su almacenamiento, debe volver a estar dentro de dicho rango antes de su operación.

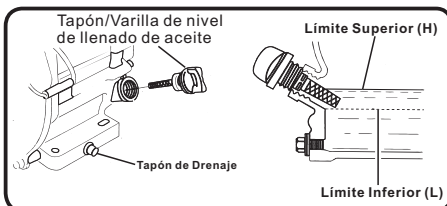
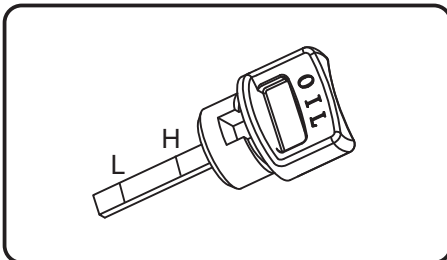
## AÑDIR ACEITE AL MOTOR

Recomendamos usar el aceite SAE 10W-30 API SJ de FIRMAN para lograr el mejor rendimiento. Otros aceites detergentes de alta calidad (API SJ o superior) son aceptables. No utilice aditivos especiales. La temperatura ambiente determina la viscosidad adecuada del aceite para el motor. Use la tabla para seleccionar el aceite apropiado según el rango de temperatura exterior esperado.

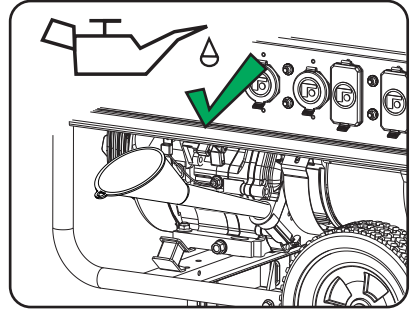
**AVISO** No intente encender o arrancar el motor antes de que este se haya llenado correctamente con el tipo y cantidad de aceite recomendados. Los daños debidos a un funcionamiento sin aceite anularán la garantía.



1. Ponga el generador en una superficie llana y nivelada.
2. Limpie el área alrededor del llenado de aceite y retire el tapón/varilla de nivel de color amarillo de llenado de aceite.
3. Pásele un trapo a la varilla de nivel.



4. Con la ayuda de un embudo para aceite, vaya vertiendo el contenido de la botella de aceite proporcionada en la apertura de llenado de aceite hasta llegar a la marca "H" de la varilla de nivel. Tenga cuidado de no llenarlo demasiado. Llenarlo demasiado podría provocar que el motor no arranque o arranque con dificultades.



5. Vuelva a poner el tapón/varilla de nivel y asegúrelo completamente.
6. El nivel de aceite debería ser revisado antes de cada uso o al menos cada 8 horas de funcionamiento. Realice un buen mantenimiento del nivel de aceite.

El motor está equipado con un sistema de apagado por bajo nivel de aceite, por lo tanto, se apagará cuando el nivel de aceite en el cárter descienda por debajo del umbral.

### AVISO

Consideramos que las 5 primeras horas de funcionamiento son el período de rodaje para la unidad. Durante el período de rodaje, mantenga el ratio de vatios durante el funcionamiento al 50% o por debajo, y cambie la carga ocasionalmente para permitir que las bobinas del estátor se calienten y se enfríen.

### Apagado por Bajo Nivel de Aceite

Esta unidad está equipada con un sistema de apagado por bajo nivel de aceite. Si el nivel de aceite pasa a ser inferior al nivel requerido, el sensor activará un dispositivo de advertencia o parará el motor.

Si el generador se apaga y el nivel de aceite está dentro de las especificaciones, compruebe que el generador esté colocado en un ángulo que permita que el aceite se mueva. Colóquelo en una superficie uniforme para corregirlo. Si el motor no se enciende, podría ser que el nivel de aceite no sea suficiente para desactivar el interruptor del nivel bajo de aceite. Asegúrese de que el cárter está completamente lleno de aceite.

## AÑADIR COMBUSTIBLE

El combustible debe cumplir con los siguientes requisitos:

- Gasolina limpia, nueva, y sin plomo.
- Utilice gasolina SIN PLOMO regular con el motor del generador con un mínimo de 87 octanos /87 AKI (91 RON). Para un uso a gran altitud, lea "Funcionamiento a gran altitud".
- **No** use gasolina con más de un 10% de etanol como E85 o etanol.

**AVISO** Evitar daños al generador.

No seguir o no seguir correctamente las recomendaciones para combustible del Manual del Operador invalidará la garantía.

- **NO** usar gasolina no aprobada, como la E85.
- **NO** mezclar aceite en la gasolina.
- **NO** modificar el motor para que funcione con combustibles alternados.

### **⚠️ ADVERTENCIA**



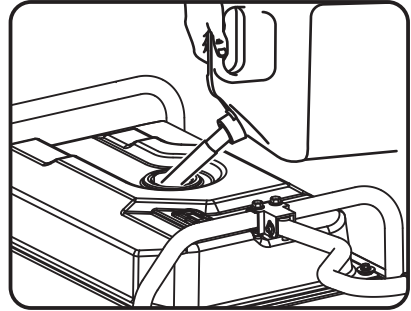
El combustible y sus vapores son extremadamente inflamables y explosivos, lo que podría causar quemaduras, incendios o explosiones con resultado de muerte o lesiones graves.

## AÑADIR COMBUSTIBLE

- Llene el tanque de combustible al aire libre. **NO** llene demasiado el tanque. Deje espacio para la expansión del combustible. Si el tanque se llena en exceso, el combustible puede derramarse sobre un motor caliente y causar un incendio o una explosión. Limpie inmediatamente el combustible derramado.
- Si el combustible se derrama, espere hasta que se haya evaporado antes de encender el motor.
- Mantenga el combustible lejos de chispas, llamas abiertas, luces piloto, calor y otras fuentes de ignición.
- Revise frecuentemente las líneas, el depósito, el tapón y los accesorios del combustible y compruebe que no haya grietas o escapes. Reemplázelo si es necesario.



1. Limpie el área alrededor del tapón de llenado de combustible, retire el tapón.
2. Añada lentamente combustible sin plomo al depósito de combustible. Tenga cuidado de no llenar por encima del indicador de nivel de color rojo. Esto le permite adecuar el espacio para la expansión del combustible.
3. Ponga el tapón de combustible y espere a que cualquier resto de combustible derramado se evapore antes de arrancar el motor, o limpie cualquier resto de gasolina derramado.



### **⚠️ PRECAUCIÓN**

- Añada lentamente gasolina sin plomo al depósito de combustible.
- No llene demasiado el depósito.
- No llene el depósito por encima de la parte superior de la pantalla del combustible. Esto se expandirá cuando haga mucho calor y previene que se desborde.



**AVISO** Es importante evitar que se formen depósitos de goma en las partes del sistema de combustible tales como el carburador, la manguera de combustible o el tanque durante el almacenamiento. Los combustibles mezclados con alcohol (llamados gasohol, etanol o metanol) pueden atraer la humedad, lo que lleva a la separación y la formación de ácidos durante el almacenamiento. El gas ácido puede dañar el sistema de combustible de un motor mientras se almacena. Para evitar problemas en el motor, el sistema de combustible debe vaciarse antes de almacenar 30 días o más. Consulte la sección "Almacenamiento a largo plazo". Nunca utilice productos limpiadores del motor o del carburador en el tanque de combustible, ya que pueden producirse daños permanentes.

## Operación A Gran Altitud

A altitudes superiores a 5,000 pies (1524 metros), se acepta un mínimo de gasolina de 85 octanos. La potencia del motor y la salida del generador se reducirán aproximadamente un 3,5% por cada 1000 pies (305 m) de elevación sobre el nivel del mar. La gran altitud puede causar un arranque difícil, un mayor consumo de combustible y ensuciamiento de bujías. Para operar a gran altura, FIRMAN puede proporcionar un chorro principal de carburador a gran altitud. El chorro principal alternativo y las instrucciones de instalación se pueden obtener comunicándose con Atención al cliente.

	389cc	Altitud
Reactor principal de Altitud 1	357717002	3000-6000Pies (914-1828 m)
Reactor principal de Altitud 2	357717003	6000-8000Pies (1828- 2438 m)

**AVISO** La operación con un chorro principal alternativo a elevaciones inferiores a la altitud mínima recomendada puede dañar el motor. Para la operación en elevaciones más bajas, se debe usar el chorro principal estándar suministrado. Operar el motor con el chorro principal incorrecto puede aumentar las emisiones de escape, el consumo de combustible y reducir el rendimiento.

## Toma de Tierra

El generador tiene una conexión a tierra del sistema que conecta los componentes de la estructura del generador a los terminales de tierra en los receptáculos de salida de CA. La tierra del sistema está conectada al cable neutro de CA. El neutro está unido al bastidor del generador. Puede haber regulaciones federales o estatales, códigos locales u ordenanzas que se apliquen al uso previsto del generador. Consulte a un electricista calificado, inspector eléctrico o la agencia local que tenga jurisdicción. Este generador no está destinado a ser utilizado en un sitio de construcción o actividad similar como se define en la sección 590.6 de NFPA 70-2020 (NEC).

## Conectar al Sistema Eléctrico del Edificio

Las conexiones al sistema eléctrico de su hogar deben usar un interruptor de transferencia listado \* instalado por un electricista con licencia. La conexión debe aislar la energía del generador de la energía del servicio público y cumplir con todas las leyes y códigos eléctricos aplicables.

### **ADVERTENCIA**



El voltaje del generador podría causar descargas eléctricas o incendios resultando en muerte o heridas graves.

- Use un equipo de transferencia homologado, con tal de prevenir retroalimentación por separar el generador de los operarios eléctricos.
- Cuando utilice el generador como energía de reserva, notifíquelo a la empresa eléctrica.
- No usar un interruptor de circuito con falla a tierra (GFCI de las siglas en inglés) en ningún área húmeda o altamente conductora, como entablados de metal u obras de acero.
- NO tocar cables o receptáculos pelados.
- NO usar el generador con cables eléctricos que estén gastados, desgastados, pelados o dañados de algún modo.
- NO hacer funcionar el generador bajo la lluvia o con mucha humedad.
- NO manipular el generador o los cables eléctricos si está de pie encima del agua, con los pies descalzos o cuando las manos o los pies estén mojados.
- NO permita a personas no calificadas o a niños hacer funcionar o servir el generador.

## FUNCIONAMIENTO

### Ubicación del Generador

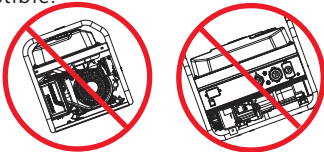
#### **ADVERTENCIA**

Asegúrese de repasar todas las advertencias para prevenir riesgo de incendio.




- Mantenga el área alejada de materiales inflamables u otros materiales peligrosos.
- Escoja un lugar seco, bien ventilado y protegido de la intemperie.
- Mantenga el tubo de escape alejado de objetos extraños.
- Mantenga el generador lejos de llamas abiertas.
- Mantenga el generador encima de una superficie estable y nivelada.

#### **AVISO**

Inclinarlo podría causar derramamiento de combustible.



- No bloquee el conducto de ventilación del generador con papel u otro material.

 <b>PELIGRO</b>	
Utilizar un generador en el interior PUEDE MATARLE EN CUESTIÓN DE MINUTOS. El tubo de escape del generador contiene monóxido de carbono. Se trata de un gas tóxico que no se ve ni se huele.	
	
<b>NUNCA</b> lo use en el interior de una casa o de un garaje, <b>INCLUSO</b> si las puertas o las ventanas están abiertas.	Utilizar solo en <b>EL EXTERIOR</b> y lejos de ventanas, puertas y conductos de ventilación.
Evitar otros peligros del generador. <b>LEA EL MANUAL ANTES DE USAR.</b>	

### PELIGRO POR GAS TÓXICO



El tubo de escape del motor contiene monóxido de carbono, un gas tóxico que podría causarle la muerte en cuestión de minutos. **NO PUEDE** olerlo, verlo, o notarlo al gusto. Incluso si usted no huele gases de escape, podría estar expuesto al gas de monóxido de carbono de todas formas.

- Utilizar este producto **SOLO** en el exterior y lejos de ventanas, puertas y conductos de ventilación para reducir el riesgo de que el gas monóxido de carbono se acumule y sea conducido potencialmente hacia espacios ocupados.
- Instale alarmas de monóxido de carbono a batería o alarmas de monóxido de carbono con enchufe y con batería de seguridad según las instrucciones del fabricante. Las alarmas de humo no pueden detectar el gas de monóxido de carbono.
- **NO** haga funcionar este producto dentro de casas, garajes, sótanos, sótanos de poca altura, cobertizos u otros espacios parcialmente cerrados, aunque tenga ventiladores o puertas y ventanas abiertas para ventilar. El monóxido de carbono puede aumentar rápidamente en estos espacios y puede permanecer durante horas, incluso una vez apagado este producto.
- **SIEMPRE** coloque este producto en la dirección del viento y situando el tubo de escape del motor lejos de espacios ocupados. Si se empieza a encontrar mal, mareado o débil durante la utilización de este producto, apáguelo y salga a tomar aire fresco **INMEDIATAMENTE**. Visite a un médico. Usted podría haberse intoxicado por monóxido de carbono.

### Protección contra Sobrecargas

#### **AVISO**

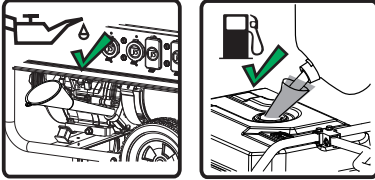
La fluctuación del voltaje podría perjudicar un correcto funcionamiento de equipos electrónicos sensibles.

Los dispositivos electrónicos, incluyendo ordenadores y muchos aparatos programables utilizan componentes que están diseñados para operar con un rango de voltaje reducido, y podrían verse afectados por fluctuaciones de voltaje momentáneas. Si no hay ningún método para prevenir fluctuaciones de voltaje, puede tomar medidas para proteger los equipos electrónicos sensibles.

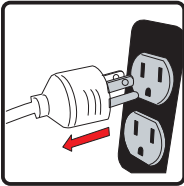
Instale supresores de sobrecarga UL 1449, listados por la CSA, para enchufar a las tomas de corriente de forma que alimenten su equipo sensible. Los supresores de sobrecarga vienen o bien en un formato único o de varias tomas de corriente. Están diseñados para proteger contra prácticamente todas las fluctuaciones de voltaje de duración corta.

## Starting the Generator

1. Antes de arrancar el generador, compruebe que no haya partes sueltas, que falten o algún tipo de daño ocasionado durante el envío.
2. Compruebe el nivel de aceite y carburante.



3. Desconecte toda carga eléctrica del generador. Nunca arranque o pare el generador si hay dispositivos eléctricos enchufados o conectados.



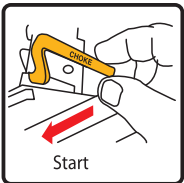
4. Ponga la válvula del carburante en posición "ON(I)".



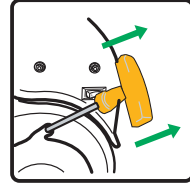
5. Gire el interruptor del motor hacia la posición "ON(I)".



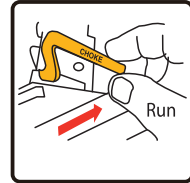
6. Mueva la palanca del estrangulador hacia la posición "START".



7. Tire lentamente de la cuerda de arranque hasta que note resistencia, luego tira rápidamente.



8. No lo sobre-estrangule. Tan pronto como arranque el motor y se caliente, mueva la palanca del estrangulador hacia la posición "RUN".



9. Deje que el generador funcione sin carga durante cinco minutos en cada arranque inicial para que el generador se estabilice.

### ⚠ ADVERTENCIA



El retroceso del cable de arranque (retracción rápida) estirará la mano y el brazo hacia el motor muy rápido y antes de que usted lo pueda soltar, lo cuál podría causar huesos rotos, fracturas, moratones o esguinces, resultando en heridas graves..

Cuando arranque el motor, tire lentamente de la cuerda hasta que note resistencia y luego tire rápidamente para evitar el retroceso.

### AVISO

Mantenga la palanca del estrangulador en posición "START" por sólo un tirón del arrancador de retroceso. Tras el primer tirón, mueva la palanca del estrangulador a la posición "RUN" para los 3 tirones siguientes del arrancador de retroceso. Estrangularlo demasiado lleva a un ensuciamiento de la bujía/inundación del motor debido a la falta de entrada de aire. Eso hará que no arranque el motor.

### AVISO

Si el motor arranca tras 3 tirones pero no llega a ponerse en marcha, o si la unidad se apaga durante el funcionamiento, asegúrese de que la unidad esté en una superficie plana y compruebe que el nivel de aceite sea correcto en la caja del cárter. Puede que esta unidad esté equipada con un dispositivo de protección en caso de nivel bajo de aceite. De ser así, el aceite debe estar al nivel adecuado para que arranque el motor.

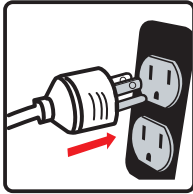
## Conexión de Cargas Eléctricas

Esta unidad ha sido testada y ajustada para soportar su capacidad máxima. Antes de arrancar el generador, desconecte todas las cargas. Aplique las cargas sólo cuando el generador ya esté funcionando. El voltaje se regula mediante la velocidad del motor que se ajusta en fábrica para conseguir un rendimiento correcto. Los reajustes anulan la garantía.

### AVISO

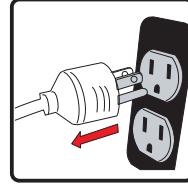
Cuando se aplique una carga, no exceda la potencia máxima del generador cuando use uno o más receptáculos. Asimismo, no exceda el emperaje de ninguno de los receptáculos. No aplique cargas eléctricas pesadas durante el período de rodaje inicial (las dos o tres primeras horas de operaciones).

1. Deje que el motor se estabilice y se caliente durante unos minutos tras el arranque.
2. Asegúrese de que el cortacircuitos en el panel de control está en posición "on".
3. Enchufe y encienda las cargas eléctricas deseadas de 120 y 240 voltios AC, fase única, 60Hz.



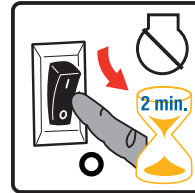
## Parada del Motor

1. Retire las cargas eléctricas enteras. Nunca arranque o pare el generador si hay dispositivos eléctricos enchufados o conectados.



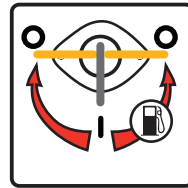
Deje que el generador funcione sin carga unos minutos para estabilizar las temperaturas internas del motor y el generador.

2. Mueva la válvula de carburante hacia la posición "OFF(O)".



Deje que funcione el motor hasta que la falta de combustible lo pare. Este proceso a menudo lleva unos minutos.

3. Pulse el interruptor del motor a la posición "OFF(O)".



Si se utiliza una cubierta, no la intente hasta que la unidad se haya enfriado.

**⚠ ADVERTENCIA**



El combustible y sus vapores son extremadamente inflamables y explosivos, y podrían causar quemaduras, incendio o explosión resultando en la muerte, heridas graves.

---

NO pare el motor poniendo el control del estrangulador en posición "START"

**AVISO** Asegúrese siempre de que la válvula de combustible y el interruptor del motor estén en la posición "OFF" cuando el motor no esté en uso.

### **AVISO**

Si el motor no se utiliza durante un periodo de dos semanas o más, por favor vea la sección de Almacenamiento para un almacenamiento adecuado del motor y el carburante.

### **Desconexión por Nivel de Aceite Bajo**

Si el nivel de aceite del motor baja del nivel preestablecido, un interruptor del aceite parará el motor. Compruebe el nivel del aceite con una varilla medidora.

Si el nivel de aceite está entre la marca de LOW y HIGH en la varilla medidora:

1. NO intente arrancar el motor.
2. Contacte con un Servicio Distribuidor autorizado de FIRMAN.
3. NO utilice el motor hasta que el nivel de aceite sea correcto.

Si el nivel de aceite está por debajo de la marca LOW en la varilla medidora:

1. Añada aceite hasta llegar al nivel de la marca HIGH.
2. Reinicie el motor y si el motor se para de nuevo puede que aún exista una condición de aceite bajo. NO intente arrancar el motor de nuevo.
3. Contacte con un servicio de Distribución autorizado FIRMAN.
4. NO utilice el motor hasta que el nivel de aceite sea correcto.

### **No Sobrecargue el Generador**

Sobrecargar el generador por encima de su capacidad de potencia nominal puede causar daños en el generador y a los dispositivos eléctricos conectados.

Para prolongar la vida de su generador y los dispositivos conectados, siga estos pasos para añadir carga eléctrica:

1. Arranque el generador sin cargas eléctricas conectadas.
2. Permita que el motor funcione durante unos minutos para que se estabilice.
3. Enchufe y encienda el primer dispositivo. Es mejor conectar primero el dispositivo con la mayor carga.
4. Permita que se estabilice el motor.
5. Enchufe y encienda el siguiente dispositivo.
6. Permita que el motor se estabilice.
7. Repita los pasos 5-6 para cada dispositivo adicional.



# MANTENIMIENTO Y ALMACENAMIENTO

## PROGRAMA DE MANTENIMIENTO

ITEM	OBSERVACIONES	A diario (Antes de usar)	Primeras 25 horas	Cada 50 horas	Cada 100 horas	Cada 250 horas
Bujía	Comprobar el estado. Ajustar la separación y limpiar. Cambiar si es necesario.				✓	
Aceite del motor	Comprobar el nivel de aceite.	✓				
	Reemplazar.		✓		✓	
Filtro de aire	Limpiar, reemplazar si es necesario.			✓		
Filtro de Carburante	Limpiar el filtro de carburante y el colador del depósito de combustible.				✓	
Línea de combustible	Comprobar que no haya grietas u otros daños en la manguera de carburante. Reemplazar si es necesario.	✓				
Sistema de escape	Comprobar que no haya fugas. Volver a ajustar o reemplazar la junta si es necesario.	✓				
	Revisar la rejilla del apagachispas. Limpiar/Reemplazar si es necesario.				✓	
Motor	Comprobar ajustar Valve clearance.*					✓
	Limpia la Cámara de combustión.*					✓
Accesorios /Cierres	Revisar. Reemplazar si es necesario.				✓	

\* To be performed by knowledgeable/experienced owner or by authorized service center.

### Recomendaciones Generales

Un mantenimiento regular mejorará el rendimiento y prolongará la vida del generador. Busque el servicio de cualquier distribuidor autorizado.

La garantía del generador no cubre las piezas que hayan sido sometidas a abuso o negligencia por parte del operador. Para recibir el valor total de la garantía, el operador debe mantener el generador como se indica en el manual.

Algunos ajustes deberán llevarse a cabo periódicamente para mantener su generador adecuadamente. Todo servicio y ajustes deberán llevarse a cabo por lo menos una vez por temporada. Siga los requisitos en el Programa de Mantenimiento del cuadro de arriba.

**Aviso:** Una vez al año debería limpiar o reemplazar la bujía y reemplazar el filtro de aire. Las bujías nuevas y los filtros de aire limpios aseguran una mezcla de carburante y aire adecuada y ayudan a su motor a funcionar mejor y más tiempo.

## MANTENIMIENTO DEL MOTOR

Para evitar el arrancado accidental, quite y ponga en el suelo el cable de la bujía antes de realizar cualquier servicio.

### Cambiar el Aceite del Motor

Cambie el aceite del motor cada 100 horas.

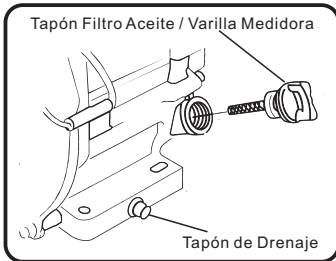
(para motores nuevos, cambie el aceite cada 25 horas.)

Si utiliza su generador bajo condiciones de suciedad o polvo extremo, o bajo calor extremo, cambie el aceite más a menudo.

### ⚠ PRECAUCIÓN

Evite el contacto prolongado o repetitivo con la piel con el aceite de motor.

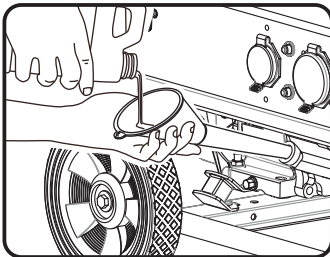
- Se ha comprobado que el aceite de motor usado causa cáncer en ciertos animales de laboratorio.
  - Lave bien las zonas expuestas con agua y jabón.
- (a) Vacíe el aceite quitando el tapón de drenaje y el tapón de llenado de aceite mientras el motor está caliente.



### AVISO

Por favor utilice un contenedor para vaciar el aceite usado para proteger el medio ambiente.

(b) Vuelva a instalar el tapón de drenaje y a llenar el motor con aceite hasta que alcance el nivel ALTO(H) del tapón del depósito de aceite.



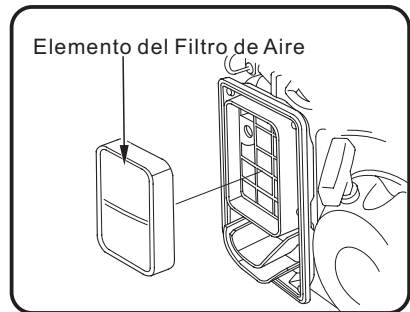
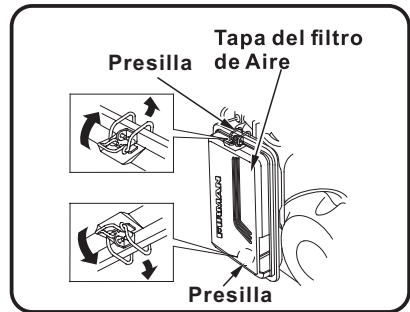
- Utilice lubricante nuevo y de alta calidad en la cantidad especificada.

Si se utiliza aceite contaminado o deteriorado o si la cantidad del aceite del motor no es suficiente, el motor será dañado y se acortará su vida.

### Mantenimiento del Filtro de Aire

Mantener el filtro de aire en condiciones adecuadas es muy importante. La suciedad inducida mediante instalación incorrecta, servicio incorrecto, o elementos inadecuados daña y desgasta los motores. Mantenga siempre los elementos limpios.

(a) Saque el filtro de aire, límpielo bien con queroseno y séquelo.



(b) Después de mojar el elemento con aceite de motor limpio, apriételo con fuerza con la mano.

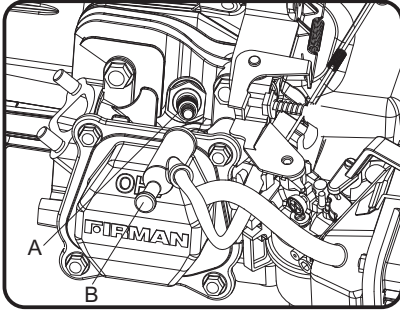


(c) Finalmente, ponga el elemento en la caja y instálelo de forma segura.

## Mantenimiento de La Bujía

Cambiar la bujía hará que su motor arranque con más facilidad y funcione mejor.

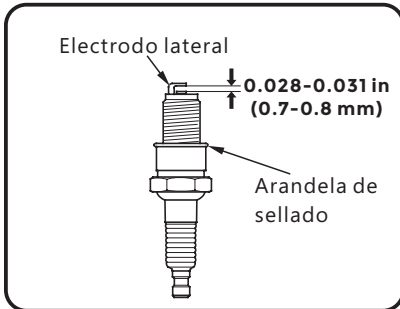
- Quite el tapón de la bujía.
- Quite el tapón de la bujía con la llave proporcionada.



A- Bujía

B- Tapón de la bujía

- Inspeccione la bujía en busca de daños y límpiela con un cepillo de alambre antes de reinstalarla.
- Ajuste la distancia entre electrodos a 0.028" a 0.031" (0.7 a 0.8mm).
- Ponga la bujía en posición y enrosque a mano para prevenir el enroscado cruzado.
- Apriete el tapón con la llave proporcionada y ponga la tapa en la bujía.



BUJÍA: TORCH F6RTC

NGK BPR6ES

CHAMPION RN9YC o equivalente.

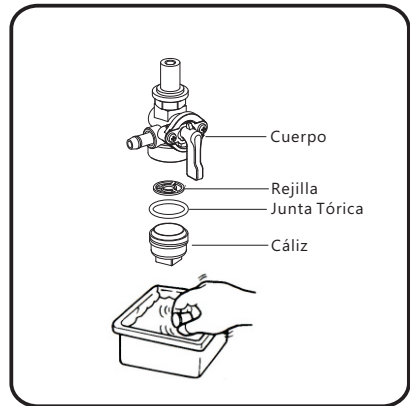
## Limpieza de la válvula de mantenimiento

- Consumo: 0.004 - 0.006 in. (0.1 - 0.15 mm)
- Escape: 0.004 - 0.006 in. (0.1 - 0.15 mm)

## LIMPIEZA DEL FILTRO DE CARBURANTE

Suciedad y agua en el carburante se eliminan mediante el filtro de carburante.

- Quite el cáliz del filtro y tire el agua y la suciedad.
- Limpie las rejillas y el cáliz del carburante con gasolina.
- Ajuste bien el cáliz al cuerpo principal, asegurándose que se evita cualquier fuga de carburante.



## Inspeccionar el Silenciador Y el Apagachispas

Inspeccione el silenciador en busca de grietas, corrosión u otros daños. Quite el apagachispas, si está instalado, e inspeccione en busca de daños u obstrucción de carbono. Si se necesitan piezas de repuesto, asegúrese de que sólo usa piezas de repuesto del equipamiento original.

### ⚠ ADVERTENCIA



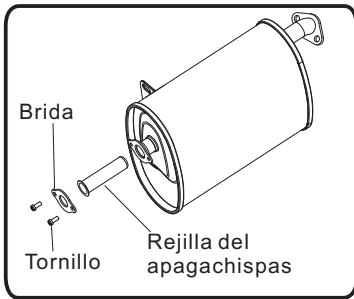
El calor y los gases de escape podrían encender materiales combustibles, estructuras o dañar el depósito de carburante provocando un incendio, causando la muerte o heridas graves y/o daños en la propiedad. El contacto con la zona del silenciador podría provocar quemaduras causando heridas graves.

- NO toque las parts calientes y EVITE los gases calientes de escape.
- Deje que el equipamiento se enfríe antes de tocarlo.
- Mantenga por lo menos 1.5m de espacio libre alrededor del generador incluyendo la parte de arriba.
- Los repuestos deben ser iguales e instalarse en la misma posición que las piezas originales.

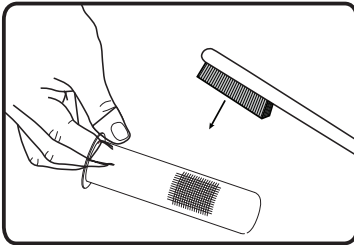
### Limpiar o reemplazar el apagachispas de la siguiente manera:

Dependiendo del tipo de carburante utilizado, el tipo y cantidad de lubricante, y/o condiciones operativas, la pieza del tubo de escape y el silenciador pueden bloquearse con restos de carbón. Si nota una pérdida de energía, podría tener que quitar los restos para recuperar el rendimiento.

1. Deje que el motor se enfríe completamente antes de dar servicio al apagachispas.
2. Quite los tornillos fijando bien el apagachispas en su sitio y luego sáquelo del silenciador.



3. Retire cuidadosamente los restos de carbono de la rejilla del apagachispas con un cepillo de alambre.



4. Reemplace el apagachispas si está dañado.
5. Posicione el apagachispas en el silenciador y adjúntelo con los tornillos.

Si no se limpia el apagachispas, el rendimiento del motor se degradará.

## MANTENIMIENTO DEL GENERADOR

Asegúrese de que el generador se mantiene limpio y almacenado correctamente. Haga funcionar la unidad sólo en una superficie plana y nivelada en un ambiente operativo limpio y seco. **NO** exponga la unidad a condiciones extremas, polvo excesivo, suciedad, humedad o vapores corrosivos.

### AVISO

**NO** utilice una manguera de jardín para limpiar el generador. El agua podría entrar en el generador a través de las ranuras de refrigeración y dañar las bobinas del generador.

Utilice un paño húmedo para limpiar las superficies exteriores del generador.

Use un cepillo de púas suaves para eliminar la suciedad y el aceite. Use un compresor de aire 25 PSI (172 kPa) para despejar la suciedad y los desechos del generador.

Revise todos los orificios y ranuras de refrigeración para asegurar que están limpias y despejadas.

## SERVICIO Y ALMACENAMIENTO

### Servicio Infrecuente

Si la unidad es utilizada pocas veces, podría ser difícil de encender. Para eliminar un encendido difícil, siga las siguientes instrucciones:

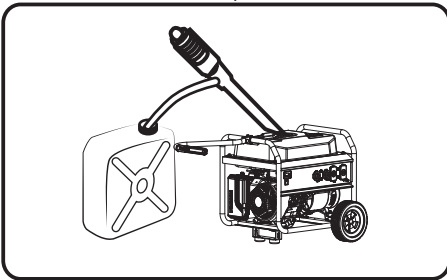
1. Haga funcionar el generador al menos 30 minutos cada mes.
2. Haga funcionar el generador, entonces cierre la válvula de interrupción del combustible y deje que la unidad funcione hasta que el motor se pare.
3. Gire el selector de combustible hacia la posición "OFF".

### Almacenamiento de Largo Plazo

Es importante evitar que los depósitos de goma se formen en partes esenciales del sistema de combustible tales como el carburador, las mangueras de combustible o el tanque durante el almacenamiento. Además, la experiencia indica que los combustibles mezclados con alcohol (llamados gasohol, etanol o metanol) pueden atraer la humedad, lo que lleva a la separación y la formación de ácidos durante el almacenamiento. El gas ácido puede dañar el sistema de combustible de un motor mientras se almacena.

Si el grupo electrógeno no se está utilizando o se almacena durante más de un mes, siga estas instrucciones para evitar problemas con el motor:

- 1- **AÑADIR** un estabilizador de combustible FUEL adecuadamente formulado al tanque si aún no se ha agregado.
- 2- Haga funcionar el motor durante 5-10 minutos para hacer circular el combustible tratado en las líneas de combustible y el carburador antes de apagarse.
- 3- Después de que el motor se enfríe, retire toda la gasolina del tanque de combustible. Utilice un sifón de vacío no conductivo disponible en el mercado.



### **⚠ ADVERTENCIA**

**Drene el combustible en el recipiente aprobado al aire libre, lejos de la llama abierta. Asegúrese de que el motor esté fresco. No fume.**

**4-FUEL STARVATION:** Arranque y haga funcionar el generador hasta que se detenga por falta de combustible. Esto secará todo el combustible restante en tanque, líneas de combustible y carburador.

5-Deje que la unidad se enfríe completamente antes de limpiar y almacenar.

6-Cambie el aceite con aceite recomendado.

7-Retire la bujía y vierta aproximadamente una cucharadita de aceite del motor a través del orificio de la bujía, tire del arrancador de retroceso varias veces para distribuir el aceite para lubricar el cilindro. Vuelva a colocar la bujía. Tire del retroceso lentamente hasta que se sienta resistencia. Esto cerrará las válvulas para que la humedad no pueda entrar en el cilindro del motor. Suavemente suelte el arrancador de retroceso.

8-Mantenga el interruptor del motor y la válvula de combustible en la posición "OFF".

9-Cubra la unidad y guárdela en un lugar limpio y seco Fuera de la luz directa del sol. **NUNCA USE AGUA PARA GENERADOR LIMPIO.**

### AVISO

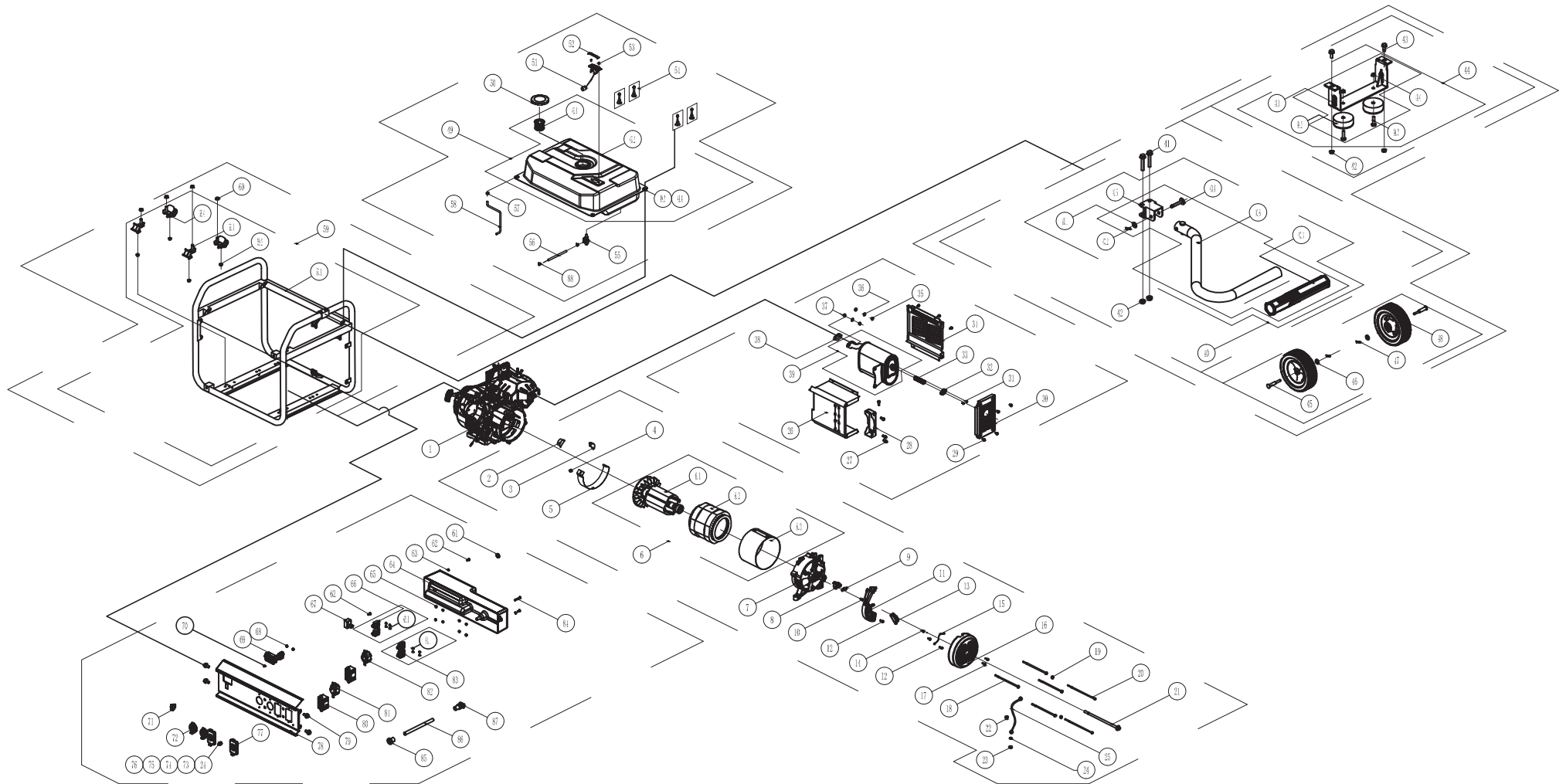
- Recomendamos utilizar siempre un estabilizador de combustible. Un estabilizador de combustible minimizará la formulación de depósitos de goma de combustible durante el almacenamiento, el estabilizador de combustible se puede agregar a la gasolina en el tanque de combustible, o en la gasolina en un contenedor de almacenamiento.
- Si no es práctico vaciar el tanque de combustible y la unidad se va a almacenar durante algún tiempo, utilice un **ESTABILIZADOR de COMBUSTIBLE** disponible en el mercado agregado a la gasolina para aumentar la vida útil de la gasolina. Haga funcionar la unidad durante 5-10 minutos para hacer circular la gasolina tratada en el carburador de las líneas de combustible antes de apagarse. **NO GUARDE EL GENERADOR SIN ESTABILIZADOR DE COMBUSTIBLE EN EL SISTEMA DE COMBUSTIBLE, INCLUYENDO TANQUE, LÍNEAS DE COMBUSTIBLE Y CARBURADOR.**
- Cualquier daño o daño causado por el uso de combustible inadecuado, combustible almacenado incorrectamente y / o estabilizadores de formato incorrecto, no están cubiertos por la garantía del fabricante.
- No guarde gasolina de una estación a otra.

## LOCALIZACIÓN Y RESOLUCIÓN DE PROBLEMAS

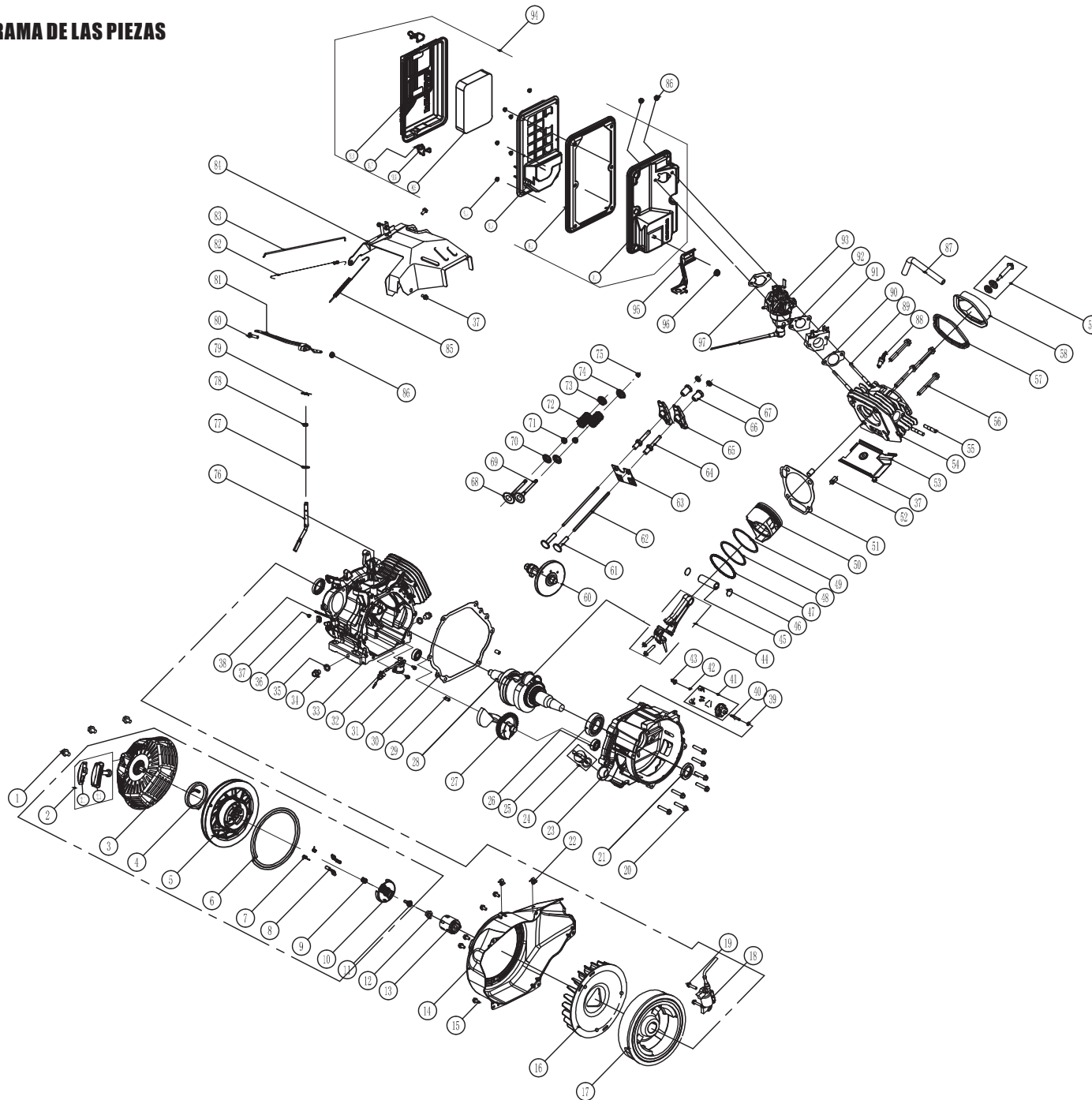
Problema	Motivo	Corrección
<b>El motor funciona, pero no hay ninguna salida de CA disponible.</b>	<ol style="list-style-type: none"> <li>1. El cortacircuitos está abierto.</li> <li>2. Desperfecto en el generador.</li> <li>3. Mala conexión o conjunto de cuerdas defectuoso.</li> <li>4. El dispositivo está mal conectado.</li> </ol>	<ol style="list-style-type: none"> <li>1. Reinicie el cortacircuitos.</li> <li>2. Contacte con instalación de servicio autorizado.</li> <li>3. Revise y repare.</li> <li>4. Conéctelo a otro dispositivo que esté en buenas condiciones.</li> </ol>
<b>El motor funciona bien sin carga pero funciona con dificultades cuando las cargas están conectadas.</b>	<ol style="list-style-type: none"> <li>1. Cortocircuito en una carga conectada.</li> <li>2. La velocidad del motor es demasiado lenta.</li> <li>3. El generador está sobrecargado.</li> <li>4. El circuito del generador se ha cortado.</li> <li>5. El filtro del combustible está obstruido o sucio.</li> </ol>	<ol style="list-style-type: none"> <li>1. Desconecte la carga eléctrica cortada.</li> <li>2. Contacte con servicio de instalación autorizado.</li> <li>3. Lea el apartado "No sobrecargue el generador".</li> <li>4. Contacte con instalación de servicio autorizado.</li> <li>5. Limpie o reemplace el filtro de combustible.</li> </ol>
<b>El motor no se enciende; se enciende y funciona de forma irregular o se apaga cuando está en funcionamiento</b>	<ol style="list-style-type: none"> <li>1.El interruptor del motor está en posición OFF (O).</li> <li>2.La palanca de interrupción de combustible está en posición OFF (O).</li> <li>3.Nivel bajo de aceite.</li> <li>4.Filtro de aire sucio.</li> <li>5.Sin combustible.</li> <li>6.Combustible obsoleto.</li> <li>7.El cable de la bujía no está conectado a la bujía.</li> <li>8.Bujía en mal estado.</li> <li>9.Agua en el combustible.</li> <li>10.Inundado.</li> <li>11.Mezcla de combustible demasiado abundante.</li> <li>12.La válvula de entrada está atascada, abierta o cerrada.</li> <li>13.El motor ha perdido compresión</li> <li>14.Filtro obstruido o sucio.</li> </ol>	<ol style="list-style-type: none"> <li>1. Ponga el interruptor del motor en posición ON (I).</li> <li>2. Ponga la palanca de interrupción de combustible en posición ON (I).</li> <li>3. Llene el cárter hasta el nivel adecuado o ponga el generador en una superficie nivelada.</li> <li>4. Limpie o reemplace el filtro de aire.</li> <li>5. Llene el depósito de combustible.</li> <li>6. Vacíe el depósito del combustible y el carburador; llénelo con combustible nuevo.</li> <li>7. Conecte el cable a la bujía.</li> <li>8. Reemplace la bujía.</li> <li>9. Vacíe el depósito del gas y carburador; llénelo con combustible limpio.</li> <li>10. Espere 5 minutos y vuelva a darle a la manivela del motor.</li> <li>11. Contacte con instalación de servicio autorizado.</li> <li>12. Contacte con instalación de servicio autorizado</li> <li>13. Contacte con instalación de servicio autorizado</li> <li>14. Limpie o reemplace el filtro de combustible.</li> </ol>
<b>El motor tiene poca potencia.</b>	<ol style="list-style-type: none"> <li>1. La carga es demasiado alta.</li> <li>2. El filtro de aire está sucio</li> <li>3. El filtro de combustible está obstruido o sucio.</li> <li>4. El parachispas está obstruido.</li> </ol>	<ol style="list-style-type: none"> <li>1. No sobrecargue el generador.</li> <li>2. Cambie el filtro de aire.</li> <li>3. Limpie o cambie el filtro de combustible.</li> <li>4. Limpie o cambie el parachispas.</li> </ol>
<b>El motor "se mueve" o se tambalea.</b>	<ol style="list-style-type: none"> <li>1. El carburador está funcionando con demasiada abundancia o demasiado poca.</li> <li>2. El filtro del combustible está obstruido o sucio.</li> </ol>	<ol style="list-style-type: none"> <li>1. Contacte con instalación de servicio autorizado.</li> <li>2. Limpie o cambie el filtro de combustible.</li> </ol>
<b>El motor se apaga cuando está en funcionamiento.</b>	<ol style="list-style-type: none"> <li>1. Sin combustible.</li> <li>2. El filtro de aire está sucio.</li> <li>3. Nivel de aceite bajo.</li> </ol>	<ol style="list-style-type: none"> <li>1. Llene el depósito de combustible</li> <li>2. Limpie o cambie el filtro de aire</li> <li>Llene el cárter hasta el nivel adecuado o ponga el generador en una superficie nivelada</li> </ol>

# DIAGRAMA DE LAS PIEZAS Y LISTA DE PIEZAS

## P6701 DIAGRAMA DE LAS PIEZAS



**FIRMAN 389cc Motor DIAGRAMA DE LAS PIEZAS**





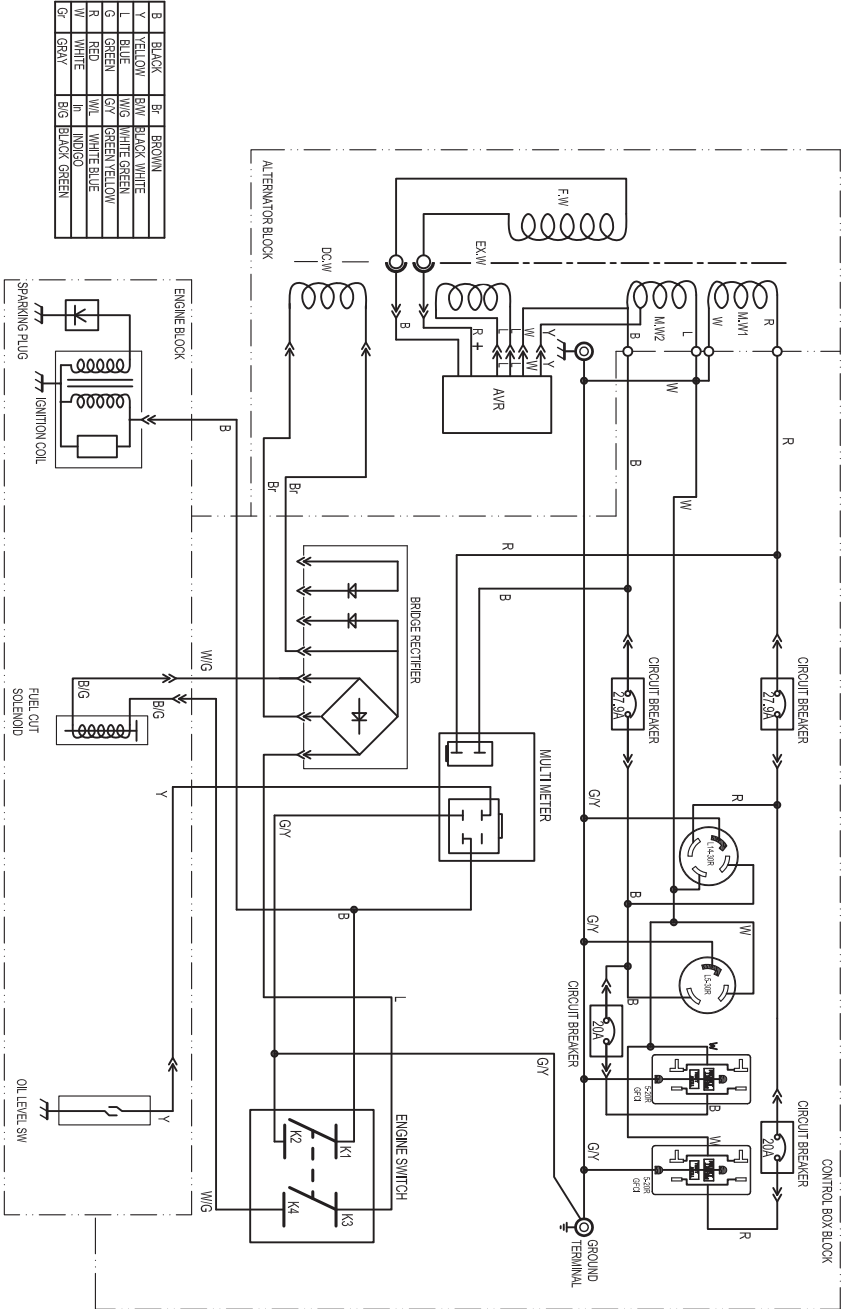
## PO6701 LISTA DE PIEZAS

NO.	Número de parte	Descripción	Ctd
1	357713500	FIRMAN 389cc motor	1
2	357713501	Tapa de goma B	1
3	357713524	Acumula, cubierta delantera A	1
4	336713528	Brida. Perno M6 × 8	1
5	357713573	Generador de escudo de viento	1
6	367418300	Conjunto alternador	1
6.1	367418301	Rotor Comp	1
6.2	367418302	Conjunto de estator	1
6.3	357713505	Cubierta del estator	1
7	357713506	Cubierta final del generador	1
8	357713507	Ensamblaje de escobillas de carbón	1
9	336713525	Portaescobillas de carbón	1
10	357713563	Ensamblaje de pernos y arandelas	1
11	367718300	AVR	1
12	336713519	Brida. Perno M5 × 16	3
13	336713523	Bloque de terminales	1
14	336713520	Ensamblaje de pernos y arandelas	2
15	357713599	Cable neutral	1
16	357713509	Tapa de cubierta final del generador	1
17	336713507	Brida. Perno M5 × 12	2
18	336713511	Perno de brida M6 × 179	4
19	336713577	Tuerca M5	2
20	357713510	Tornillo de cubierta lateral M5 × 214	2
21	357713512	Perno de brida M10 × 265	1
22	336718301	Brida. Perno M6 × 12	1
23	336713517	Tuerca M6	1
24	336713516	Arandela de bloque de dientes externos Ø6	2
25	357713601	Cable a tierra	1
26	357713523	Guardia. Muff., Volver	1
27	336713531	Brida. Perno M8 × 20	4
28	357713515	Soporte, Muff	1
29	336718302	Brida. Perno M6 × 12	7
30	357713516	Protector, Muff., Lateral	1
31	336713538	Conjunto de tornillo y arandela M5 × 14	2
32	357713517	Titular, pararrayos	1
33	336713536	Arresto, chispa	1
34	357713518	Protector, Muff., Frente	1
35	336713534	Tuerca M8	2
36	336713509	Arandela elástica Ø8	2
37	336713533	Arandela plana Ø8	2
38	357713520	Gskt., Ext.	1
39	357713521	Muff., Assy.	1
40	357413505	Montaje del mango	1
40.1	336713591	Arandela plana (Ø8.2 × Ø17 × 0.8)	1
40.2	336713590	Pasador, eje	1
40.3	357713519	Tapa, Manija	1
40.4	336713594	Pino, Mango	1
40.5	357713526	Soporte, manija	1
40.6	357713522	Encargarse de	1
41	357713527	Brida. Perno M8 × 50	2
42	336713558	Tuerca M8	4
43	336713559	Brida. Perno M8 × 16	2
44	357413506	Soporte de montaje de pierna	1
44.1	357713538	Apoyo para las piernas	1
44.2	336713557	Caucho, soporte	2

NO.	Número de parte	Descripción	Ctd
44.3	336713561	Brida. Perno M6 × 25	2
44.4	336723555	Tuerca M6	2
45	357713535	Pasador de eje	2
46	357713514	Arandela plana Ø10	2
47	357713536	Pasador	2
48	357713534	Rueda	2
49	357713528	Conjunto de tanque de combustible	1
49.1	336713548	Filtro de combustible, malla de alambre	1
49.2	357713528	Depósito de combustible	1
49.3	336713542	Ojal, tanque de combustible	4
49.4	357713600	Cojinete	4
50	336713549	Tapón del depósito de combustible Comp.	1
51	357713529	Conjunto de indicador de combustible.	1
52	336713546	Tornillo M5 × 10	2
53	336713547	Indicador de indicador de combustible	1
54	393713018	Perno M6 × 20	4
55	336713551	Válvula de gasolina	1
56	380713510	Manguera, combustible	1
57	336713540	Abrazadera Ø8 × 6	1
58	357713525	Manguera de vapor formada	1
59	357713562	Conjunto de marco	1
59.1	357718300	Marco	1
59.2	357713531	Tuerca M10	4
59.3	357713532	Aislador li	2
59.4	357713533	Aislador I	2
60	357713531	Tuerca M10	4
61	336713564	Ojal	1
62	336713565	Tornillo M5 × 14	3
63	329713608	Arandelas planas	2
64	357713539	Caja de control	1
65	336713568	Tuerca M4	8
66	367718300	Disyuntor Amp 28A	2
66.1	336713569	Conjunto de tornillo y arandela M4 × 8	4
67	357713565	Módulo de diodo	1
68	336713567	Tuerca M3	2
69	336713570	Multímetro	1
70	336713569	Conjunto de tornillo y arandela M4 × 8	1
71	336718306	Interruptor del motor	1
72	336713573	Tapa de salida L5-30R	2
73	357713542	Brida. Perno M6 × 22	1
74	357713543	Tuerca M6	2
75	336713512	Arandela de seguridad Ø6	2
76	336713513	Arandela plana Ø6	2
77	357713541	Tapa de salida 5-20R GFCI	2
78	357713559	Panel de control	1
79	336718302	Brida. Perno M6 × 12	4
80	357713547	Receptáculo GFCI	2
81	336713832	Receptáculo L5-30R	1
82	336713601	Receptáculo L14-30R	1
83	330713594	Disyuntor Amp20A	2
83.1	336713569	Conjunto de tornillo y arandela M4 × 8	4
84	336713589	Conjunto de tornillo y arandela M5 × 38	1
85	357713545	Ojal	1
86	357713546	Manga	1
87	357713548	Ojal	1
88	357713548	Abrazadera	2



# Diagrama de Cableado



## INFORMACIÓN DE SERVICIO

### CONTACTE CON EL DEPARTAMENTO DE SERVICIO DE PRODUCTO DE FIRMAN EN 1-844-347-6261

o en

[www.firmanpowerequipment.com](http://www.firmanpowerequipment.com)  
para obtener información sobre  
el servicio de garantía o para  
pedir piezas de repuesto  
o accesorios.

### CÓMO PEDIR PIEZAS DE REPUESTO

Incluso equipamiento de calidad como el generador eléctrico que acaba de adquirir puede necesitar piezas de repuesto ocasionalmente, para mantenerlo en buenas condiciones a lo largo de los años. Para pedir piezas de repuesto, por favor proporcione la siguiente información:

1. Modelo No. , Rev. Nivel y No. de Serie y todas las especificaciones que aparecen en la placa del No. de Modelo/ No. de Serie.
2. El Número o números de las piezas en la sección Lista de piezas.
3. Una breve descripción de la problemática con el generador.

### REGISTRE SU PRODUCTO

Registre online su generador Firman en  
[www.firmanpowerequipment.com](http://www.firmanpowerequipment.com).

## GARANTÍA

### Garantía Limitada de Tres (3) Años FIRMAN

#### Calificaciones de Garantía

El GENERADOR FIRMAN registrará la garantía cuando reciba su Carta de Registro de Garantía y una copia de su recibo de compra de uno de los puntos de venta FIRMAN como comprobante de compra. Envíe su registro de garantía y el comprobante de compra en un plazo de diez (10) días tras la fecha de compra.

#### Garantía de Reparación/Repuesto

FIRMAN garantiza al comprador original que los componentes mecánicos y eléctricos estarán libres de defectos en los materiales y fabricación durante el periodo de un (1) año (piezas y mano de obra) y tres (3) años (piezas) desde la fecha original de compra 90 días [piezas y mano de obra] y 180 días [piezas] para uso comercial & industrial. Los gastos de transporte de productos presentados para su reparación o repuesto bajo esta garantía son responsabilidad exclusiva del comprador. Esta garantía sólo se aplica al comprador original y no es transferible.

#### No Devuelva la Unidad al Lugar de Compra

Póngase en contacto con el Centro de Servicio FIRMAN y FIRMAN diagnosticará cualquier problema por teléfono o correo electrónico.

Si con este método no se soluciona el problema, FIRMAN podrá, a su elección, autorizar la evaluación, reparación o repuesto de la pieza o componente defectuosos en un Centro de Servicio FIRMAN. FIRMAN le proporcionará un número de caso para el servicio de garantía. Por favor, consérvelo para consultarlo en el futuro. Las reparaciones o repuestos sin autorización previa, o en un centro de reparación no autorizado, no serán cubiertos por esta garantía.

#### Exclusiones de La Garantía

Esta garantía no cubre las reparaciones y equipos siguientes:

#### Desgaste Normal

Su producto necesita periódicamente repuestos y servicio para un buen desempeño. Esta garantía no cubre la reparación cuando el uso normal haya agotado la vida útil de una parte o del equipo en su conjunto.

---

---

## Instalación, Uso y Mantenimiento

Esta garantía no se aplicará a las partes y / o mano de obra si su producto se considera que ha sido mal utilizado, descuidado, involucrado en un accidente, abusado, cargado más allá de los límites del generador, modificado, instalado incorrectamente o mal conectado a cualquier componente eléctrico. El mantenimiento normal no está cubierto por esta garantía.

## Otras Exclusiones

Esta garantía excluye:

- Defectos cosméticos como la pintura, etiquetas, etc.,
- Desgaste de objetos
- Piezas accesorias,
- Fallos debido a hechos fortuitos y a otros acontecimientos de fuerza mayor que escapan al control del fabricante,
- Problemas causados por piezas que no son originales de FIRMAN.
- Unidades utilizadas para energía primaria en lugar de energía de servicio existente donde está presente la electricidad o en lugar de energía eléctrica donde el servicio de electricidad no existe normalmente.

## Límites de La Garantía Implícita y Daños Consecuentes

FIRMAN se exime de cualquier obligación de cubrir toda pérdida de tiempo, el uso de este producto, flete, o cualquier reclamo incidental o consecuente por parte de cualquier usuario de este producto. ESTA GARANTÍA TOMA EL LUGAR DE CUALQUIER OTRA GARANTÍA, EXPRESA O IMPLÍCITA, INCLUYENDO LAS GARANTÍAS DE COMERCIALIZACIÓN O IDONEIDAD PARA UN PROPÓSITO PARTICULAR.

Una unidad proporcionada como un intercambio estará sujeta a la garantía de la unidad original. La longitud de la garantía de la unidad de intercambio se seguirá calculando en función de la fecha de compra de la unidad original.

Esta garantía le otorga ciertos derechos legales que pueden variar de estado a estado. Su estado puede que también tenga otros derechos a los que pueda acogerse y que no se mencionan en esta garantía.

## Información de Contacto

Puede contactar FIRMAN en:

### Dirección

FIRMAN Power Equipment Inc.  
Attn: Customer Service  
8716 W LUDLOW DR. SUITE 6  
Peoria, AZ 85381  
[www.firmanpowerequipment.com](http://www.firmanpowerequipment.com)

***Somos FIRMAN el poder - y estamos aquí para usted.***

# FIRMAN POWER EQUIPMENT INC.

## Garantía Del Sistema De Control De Emisiones

### DECLARACIÓN DE GARANTÍA FEDERAL Y CALIFORNIANA SOBRE EL CONTROL DE EMISIONES DE ESCAPE Y EVAPORACIÓN MOTORES DE GASOLINA

#### SUS DERECHOS Y OBLIGACIONES DE GARANTÍA

La Junta de Recursos del Aire de California, Agencia de Protección Ambiental de EE.UU. ("US EPA") y FIRMAN POWER EQUIPMENT INC.(FIRMAN) se complacen en explicar la garantía del sistema de control de emisiones por evaporación y escape en el 2020-2021 o el posterior Motor Off-Road pequeño ("SORE") y el motor del equipo accionado según corresponda. En California y los EE.UU., SORE y los equipos accionados por motor deben fabricarse y equiparse para cumplir con California según corresponda. En California y EE.UU., SORE y los equipos accionados por motor deben diseñarse, fabricarse y equiparse para cumplir con los altos estándares anti-contaminación de California y EPA Estados Unidos. FIRMAN debe garantizar el sistema de control de emisiones a su SORE y equipo accionado por motor durante el periodo listado abajo siempre que no haya habido abuso, negligencia o mantenimiento inapropiado con su SORE o equipo accionado por motor. Su sistema de control de emisiones de escape pueden incluir piezas como carburadores, sistemas de inyección de combustible, el sistema de encendido, y los convertidores catalíticos. También puede incluir un sistema de control de emisiones por evaporación que puede incluir depósitos de combustible, líneas de combustible, las tapas de combustible, válvulas, latas, filtros, mangueras de vapor, abrazaderas, conectores, cinturones y otros componentes asociados. Para motores menores o iguales a 80 cc, sólo el depósito de combustible está sujeto a los requisitos de la garantía de control de emisiones por evaporación de esta sección (California solamente).

#### RESPONSABILIDADES DE GARANTÍA DE LOS PROPIETARIOS:

Como propietario de SORE o un equipo accionado por motor, es responsable del rendimiento del mantenimiento requerido listado en su manual del propietario. FIRMAN recomienda que guarde todos los recibos de mantenimiento del SORE o equipo accionado por motor, aunque FIRMAN no puede denegar la garantía sólo por falta de recibos.

Como propietario de SORE o un equipo accionado por motor, debería saber que FIRMAN puede denegar la cobertura de garantía si su SORE o equipo accionado por motor o una pieza ha fallado debido al abuso, negligencia, mantenimiento inapropiado o modificaciones no aprobadas.

Es su responsabilidad presentar su SORE o equipo accionado por motor a un centro de servicio o distribución FIRMAN tan pronto como el problema surja. Las reparaciones de garantía deberían completarse en un periodo de tiempo razonable, que no exceda los 30 días. Si tiene alguna pregunta referente a la cobertura de garantía, debería contactar con FIRMAN al 1-844-347-6261.

#### COBERTURA DE GARANTÍA DE EMISIONES GENERALES

Este sistema de control de emisiones está justificada por tres años. El periodo de garantía empieza el día que el motor o equipo es entregado al comprador final. FIRMAN garantiza al comprador final y a cada subsecuente comprador que el motor está: Diseñado, fabricado, y equipado para cumplir con todas las regulaciones aplicables adoptadas por la Junta de Recursos de Aire y EPA (Agencia de Protección Ambiental de Estados Unidos); y libre de defectos en materiales y mano de obra que causen el fallo de una pieza garantizada que debe ser idéntica con referencia a todos los materiales así como la pieza descrita en la petición de certificación de fabricantes de motores.

La garantía de piezas relacionadas con las emisiones es la siguiente:

- 1) Cualquier pieza en garantía que no esté previsto cambiar como parte del mantenimiento requerido en el manual del propietario facilitado, está bajo garantía durante el periodo de garantía indicado más arriba. Si alguna pieza falla durante el periodo de la cobertura de la garantía, esta pieza será reparada o reemplazada por FIRMAN sin cargos para el propietario. Cualquier parte reparada o reemplazada bajo garantía permanecerá en garantía para el periodo restante que dure la garantía. Cualquier pieza en garantía que solamente esté prevista para recibir una inspección regular según el manual del propietario facilitado, estará en garantía durante el periodo de garantía indicado más arriba. Cualquier parte reparada o reemplazada bajo garantía permanecerá en garantía para el periodo restante que dure la garantía.
- 2) Cualquier pieza en garantía que esté previsto cambiar como parte del mantenimiento especificado en el manual del propietario facilitado, está bajo garantía durante el periodo de tiempo anterior al primer punto de repuesto para esta pieza. Si la pieza falla antes del primer repuesto previsto, la pieza será reparada o reemplazada por FIRMAN sin cargos para el propietario. Cualquier pieza reparada o reemplazada bajo garantía permanecerá en garantía por el periodo de tiempo restante antes del primer punto de repuesto para esta pieza.
- 3) Reparar o reemplazar cualquier parte en garantía bajo garantía debe realizarse sin cargos para el propietario en un centro del servicio técnico de la garantía.
- 4) A pesar de las provisiones de la Subsección (4) de más arriba, los servicios o reparaciones de la garantía deben estar proporcionados por FIRMAN, que serán franquiciados para dar servicio a los motores en cuestión.
- 5) Al propietario no se le debe cobrar por las tareas de diagnóstico que lleguen a determinar que la pieza en garantía está, en realidad, defectuosa, siempre y cuando este diagnóstico se lleve a cabo en un centro del servicio técnico de la garantía.
- 6) FIRMAN se hace responsable de los daños ocasionados a otros componentes de motor que sean causa inmediata de un fallo bajo el periodo de garantía de cualquier pieza en garantía.
- 7) A lo largo del periodo de la garantía de las emisiones descrito en la subsección (b)(2), FIRMAN seguirá manteniendo un suministro de las piezas en garantía adecuadas para cumplir con la demanda esperada de estas piezas.
- 8) Cualquier pieza de repuesto que deba ser usada durante cualquier mantenimiento o reparación bajo garantía, será proporcionada sin cargos para el propietario. Dicho uso no reducirá las obligaciones de la garantía del fabricante.

9) Las piezas añadidas o modificadas que no estén exentas por el Air Resources Board (Agencia de Protección Ambiental de California) no deberán utilizarse. El uso de cualquier pieza añadida o modificada que no esté exenta por el último comprador tendrá fundamento para serle denegada la petición de garantía.

El fabricante no se hará responsable de fallos en la garantía de piezas en garantía causados por el uso de piezas añadidas o modificadas no exentas.

### PIEZAS CUBIERTAS POR LA GARANTÍA

A continuación se listan las piezas (si están provistas) cubiertas por la Garantía de Sistemas de Control de Emisiones Federales y de California.

1. Sistema de encendido, incluyendo: -Bujía -Bobina de encendido	4. Sistema de inducción por aire, incluyendo: -Tubería de entrada/colector -Filtro de aire
2. Sistema medidor de combustible: -Depósito de combustible -Tapón del combustible -Línea de combustible y accesorios/tornillos relacionados	5. Ensamblaje del respiradero del cárter, incluyendo: -Tubo de conexión del respiradero
-Ensamblaje del carburador incluyendo piezas y juntas internas	6. Sistema de control de las emisiones de evaporación del depósito de combustible, incluyendo: -Válvulas de purga -Contenedor de carbono -Mangueras de vapor y accesorios/tornillos
3. Ensamblaje del silenciador catalítico, incluyendo: -Colector del escape -Convertidor catalítico -Junta del silenciador -Válvula de tensión	

### Limitaciones

La presente Garantía de los Sistemas de Control de las emisiones no debe cubrir las siguientes cuestiones:

- (a) Daños emergentes como pérdida de tiempo, molestias, pérdida del uso del motor o equipo, etc.
- (b) Los cargos por diagnóstico e inspección que no den como resultado un servicio calificado cubierto por la garantía.

FIRMAN POWER EQUIPMENT INC.  
[www.firmanpowerequipment.com](http://www.firmanpowerequipment.com)

# SÍGUENOS EN LAS REDES SOCIALES

USO

#EVERYGENERATORTELLSASTORY™

PARA TENER LA OPORTUNIDAD DE GANAR UN SWAG DE FIRMAN



**FIRMAN POWER EQUIPMENT INC.**  
**8716 W LUDLOW DR. SUITE 6**  
**PEORIA, AZ 85381**  
**1-844-347-6261**  
**WWW.FIRMANPOWEREQUIPMENT.COM**

Todos los derechos reservados. Queda expresamente prohibida la reimpresión o el uso no autorizado sin una autorización por escrito.  
P/N:367745450 Rev 01