



PARTS LIST FOR

***CAW-2004-OME1***

***CAW-2004-OME3***

***CAW-3004-OME1***

***CAW-3004-OME3***

COLD WATER WALL MOUNT PRESSURE WASHER  
(AFTER SERIAL #11346043 AND #11351284)

Motor Horsepower:

CAW-2004: 6.0 H.P.

CAW-3004: 8.0 H.P.

Pump Oil Grade: SAE30W Non-Detergent

Pump Oil Capacity: 15 oz.

Nozzle Size:

CAW-2004: 5.5

CAW-3004: 4.5

This Parts Listing has been compiled for your benefit. You can be assured your new Cold Water Pressure Washer was constructed and designed with quality and performance in mind using over 25 years experience in the pressure washer business. Each component has been rigorously tested to insure the highest level of acceptance.

The contents of this Parts Listing are based on the latest product information available at the time of publication. The manufacturer reserves the right to make changes in price, color, materials, equipment, specifications or models at any time without notice.

### **WARNING**

THIS IS A PROFESSIONAL HIGH PRESSURE, COLD WATER PRESSURE WASHER. CAUTION SHOULD BE OBSERVED WHEN USING OR REPAIRING THIS UNIT! READ AND FOLLOW THE SAFETY WARNINGS LISTED BELOW BEFORE ATTEMPTING ANY REPAIRS ON THIS PRESSURE WASHER!

### **SAFETY WARNINGS**

1. NEVER alter or modify the equipment. Be sure any accessory items and system components being used will withstand the pressure developed. Use only genuine manufactured parts for repair of your pressure washer. Failure to do so can cause hazardous operating conditions and will VOID warranty.
2. Know how to stop and bleed pressures quickly. Be thoroughly familiar with controls.
3. Before servicing the unit, turn unit off, relieve the water pressure and allow the unit to cool down. Do not make repairs while the unit is running. Service in a clean, dry, flat area. Block the wheels to prevent the unit from moving. Be especially careful to properly dispose of any flammable materials.
4. After testing the machine, DO NOT leave the pressurized unit unattended. Shut off the unit and release trapped pressure before leaving.

## Table of Contents

SPECIFICATIONS.....	4
NOTES .....	5
FRAME ASSEMBLY FOR 2004 AND 3004 SINGLE PHASE (AFTER SERIAL #11351284).....	6
FRAME ASSEMBLY FOR 2004 AND 3004 THREE PHASE (AFTER SERIAL #11346043).....	8
ELECTRIC BOX ASSEMBLY .....	10
PUMP ASSEMBLY (3-0440) .....	12
UNLOADER ASSEMBLY (8-0633).....	14
WALL MOUNT BRACKET ASSEMBLY .....	16
WIRING SCHEMATIC SINGLE PHASE (AFTER SERIAL #11351284).....	18
WIRING DIAGRAM SINGLE PHASE (AFTER SERIAL #11351284).....	19
WIRING SCHEMATIC THREE PHASE (AFTER SERIAL #11346043).....	20
WIRING DIAGRAM THREE PHASE (AFTER SERIAL #11346043).....	21
WIRING SCHEMATIC SINGLE PHASE - AUTO - START/STOP (AFTER SERIAL #11351284).....	22
WIRING DIAGRAM SINGLE PHASE - AUTO - START/STOP (AFTER SERIAL #11351284).....	23
WIRING SCHEMATIC THREE PHASE - AUTO - START/STOP (AFTER SERIAL #11346043).....	24
WIRING DIAGRAM THREE PHASE - AUTO - START/STOP (AFTER SERIAL #11346043).....	25
WIRING SCHEMATIC SINGLE PHASE - REMOTE BOX (AFTER SERIAL #11351284).....	26
WIRING DIAGRAM SINGLE PHASE - REMOTE BOX (AFTER SERIAL #11351284).....	27
WIRING SCHEMATIC THREE PHASE - REMOTE BOX (AFTER SERIAL #11346043).....	28
WIRING DIAGRAM THREE PHASE - REMOTE BOX (AFTER SERIAL #11346043).....	29
WIRING SCHEMATIC SINGLE PHASE - MULTI REMOTE BOX (AFTER SERIAL #11351284).....	30
WIRING DIAGRAM SINGLE PHASE - MULTI REMOTE BOX (AFTER SERIAL #11351284).....	31
WIRING SCHEMATIC THREE PHASE - MULTI REMOTE BOX (AFTER SERIAL #11346043).....	32
WIRING DIAGRAM THREE PHASE - MULTI REMOTE BOX (AFTER SERIAL #11346043).....	33
WIRING SCHEMATIC SINGLE PHASE - AUTO START/STOP, REMOTE BOX (AFTER SERIAL #11351284).....	34
WIRING DIAGRAM SINGLE PHASE - AUTO START/STOP, REMOTE BOX (AFTER SERIAL #11351284).....	35
WIRING SCHEMATIC THREE PHASE - AUTO START/STOP, REMOTE BOX (AFTER SERIAL #11346043).....	36
WIRING DIAGRAM THREE PHASE - AUTO START/STOP, REMOTE BOX (AFTER SERIAL #11346043).....	37
WIRING SCHEMATIC SINGLE PHASE - AUTO START/STOP, MULTI REMOTE BOX (AFTER SERIAL #11351284).....	38
WIRING DIAGRAM SINGLE PHASE - AUTO START/STOP, MULTI REMOTE BOX (AFTER SERIAL #11351284).....	39
WIRING SCHEMATIC THREE PHASE - AUTO START/STOP, MULTI REMOTE BOX (AFTER SERIAL #11346043).....	40
WIRING DIAGRAM THREE PHASE - AUTO START/STOP, MULTI REMOTE BOX (AFTER SERIAL #11346043).....	41

## SPECIFICATIONS

MODEL	CAW-2004-0ME1	CAW-2004-0ME3	CAW-3004-0ME1	CAW-3004-0ME3
Operating Pressure (PSI/Bar):	2000/137.9		3000/206.9	
High Pressure Nozzle:	5.5		4.5	
Water Volume (GPM/lpm):	3.9/14.8			
Motor:	Totally enclosed fan cooled			
Horsepower	6.0		8.0	
Voltage	230			
Phase	Single	Three	Single	Three
Amps	24.5	17.3	34.5	22.8
Pump:	Direct Driven, Oil Bath, Triplex Piston			
Oil Type	SAE30W Non-Detergent			
Oil Capacity	15.0/0.44			
Plungers	Ceramic			
Manifold	Forged Brass			
Valves	Stainless Steel			
Unloader	Adjustable			
Thermal Relief Valve	Relieves heated water during unloader bypass stage			
Detergent Injector	Adjustable low pressure down stream from pump			
Unit Net Weight (lbs/Kg)	190/86.2	165/74.8	210/95.3	195/88.5
Unit Shipping Weight (lbs/Kg)	245/111.2	225/102.1	270/112.5	255/115.7
Unit Net Dimensions (in/cm)	31.0L X 17.25W X 18.0H/78.74L X 43.8W X 45.72H			
Unit Shipping Dimensions (in/cm)	40.50L X 26.0W X 36.0H/102.87L X 60.04W X 91.44H			

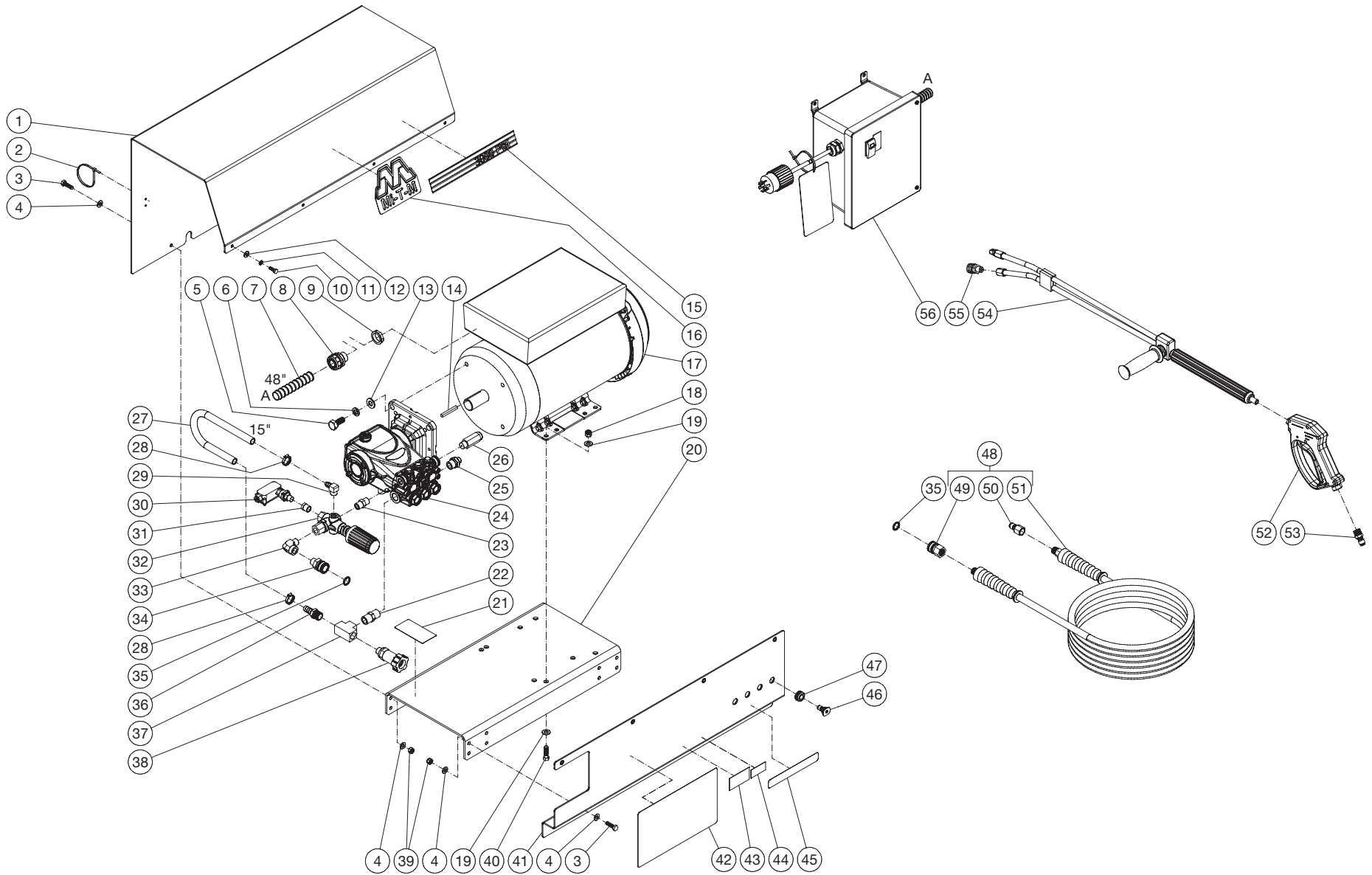
---

**NOTES**

---

<b>DATE</b>	<b>SERIAL NUMBER</b>	<b>REASON FOR CHANGE</b>
03-14-22	#11346043	WEG MOTOR CHANGE - REPLACED 2-0117 WITH 2-0233 WEG MOTOR CHANGE - REPLACED 2-0116 WITH 2-0232
03-14-22	#11351284	WEG MOTOR CHANGE - REPLACED 2-0114 WITH 2-0230 WEG MOTOR CHANGE - REPLACED 2-0115 WITH 2-0231

# FRAME ASSEMBLY FOR 2004 AND 3004 SINGLE PHASE (AFTER SERIAL #11351284)



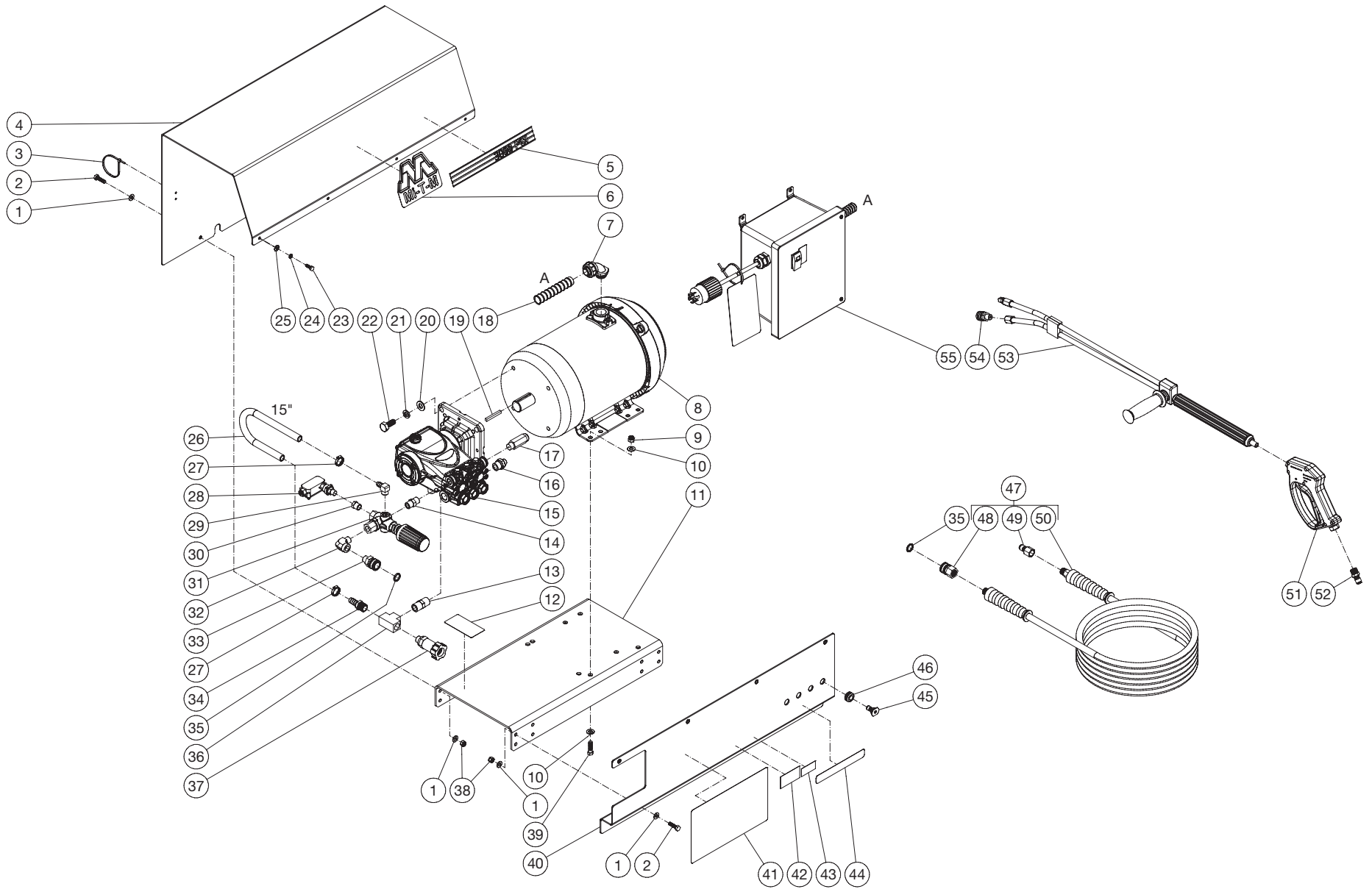
CAW-2004\_3004-0ME1 123021 TRP

## FRAME ASSEMBLY

ITEM	TITLE	PART #	QTY	ITEM	TITLE	PART #	QTY
1	HOOD	56-0097	1	32	UNLOADER	8-0633	1
2	CABLE TIE	33-0022	3	33	ELBOW	24-0105	1
3	BOLT	27-0068	6	34	QUICK CONNECT SOCKET	17-0007	1
4	WASHER	28-0003	12	35	O-RING	25-0123	2
5	BOLT	27-0217	4	36	BARB	23-0045	1
6	LOCKWASHER	29-0010	4	37	TEE	23-0043	1
7	CONDUIT FLEX *(FOUR FEET REQUIRED)	32-0486	1	38	FILTER	19-0206	1
8	CONDUIT STRAIGHT	32-0488	1	39	LOCKNUT	30-0157	6
9	ELECTRICAL LOCKNUT	32-0292	1	40	BOLT	27-0118	4
10	BOLT	27-0015	4	41	PANEL	56-0089	1
11	LOCKWASHER	29-0006	4	42	DECAL - WARNING (SEE 71-1069)	N/A	1
12	WASHER	28-0002	4	43	DECAL - MOBILE PRO	34-3850	1
13	WASHER	28-0006	4	44	DECAL - MADE IN USA	34-3553	1
14	KEY	43-0078	1	45	DECAL - NOZZLE (SEE 71-1069)	N/A	1
15	DECAL - 12" STRIPE (3004)	N/A	1	46	NOZZLE (3004)	18-0405	1
-	DECAL - 12" STRIPE (2004)	N/A	1	-	NOZZLE (3004)	18-0402	1
16	DECAL - Mi-T-M (SEE 71-1069)	N/A	1	-	NOZZLE (3004)	18-0403	1
17	MOTOR (3004)	2-0231	1	-	NOZZLE (3004)	18-0404	1
-	MOTOR (2004)	2-0230	1	-	NOZZLE (2004)	18-0410	1
18	LOCKNUT	30-0159	4	-	NOZZLE (2004)	18-0413	1
19	WASHER	28-0004	8	-	NOZZLE (2004)	18-0412	1
20	BASEPLATE	5-0382	1	-	NOZZLE (2004)	18-0411	1
21	DECAL - SILVER STICKER	N/A	1	47	GROMMET	33-0001	4
22	NIPPLE	23-0012	1	48	HOSE ASSEMBLY	851-0338	1
23	NIPPLE	24-0010	1	49	QUICK CONNECT SOCKET	17-0004	1
24	PUMP	3-0440	1	50	QUICK CONNECT	17-0006	1
25	RELIEF VALVE	22-0371	1	51	HOSE	15-0209	1
26	SAFETY VALVE	22-0376	1	52	GUN	16-0446	1
27	HOSE *(TWO FEET REQUIRED)	15-0007	1	53	QUICK CONNECT	17-0074	1
28	HOSE CLAMP	42-0011	2	54	DUAL LANCE	16-0416	1
29	ELBOW	23-0050	1	55	QC SOCKET	17-0028	1
30	PRESSURE SWITCH	22-0171	1	56	ELECT BOX ASSY	N/A	1
31	REDUCER	23-0017	1	-	DECAL SET	71-1069	1

\*MUST ORDER IN ONE FOOT LENGTHS

# FRAME ASSEMBLY FOR 2004 AND 3004 THREE PHASE (AFTER SERIAL #11346043)



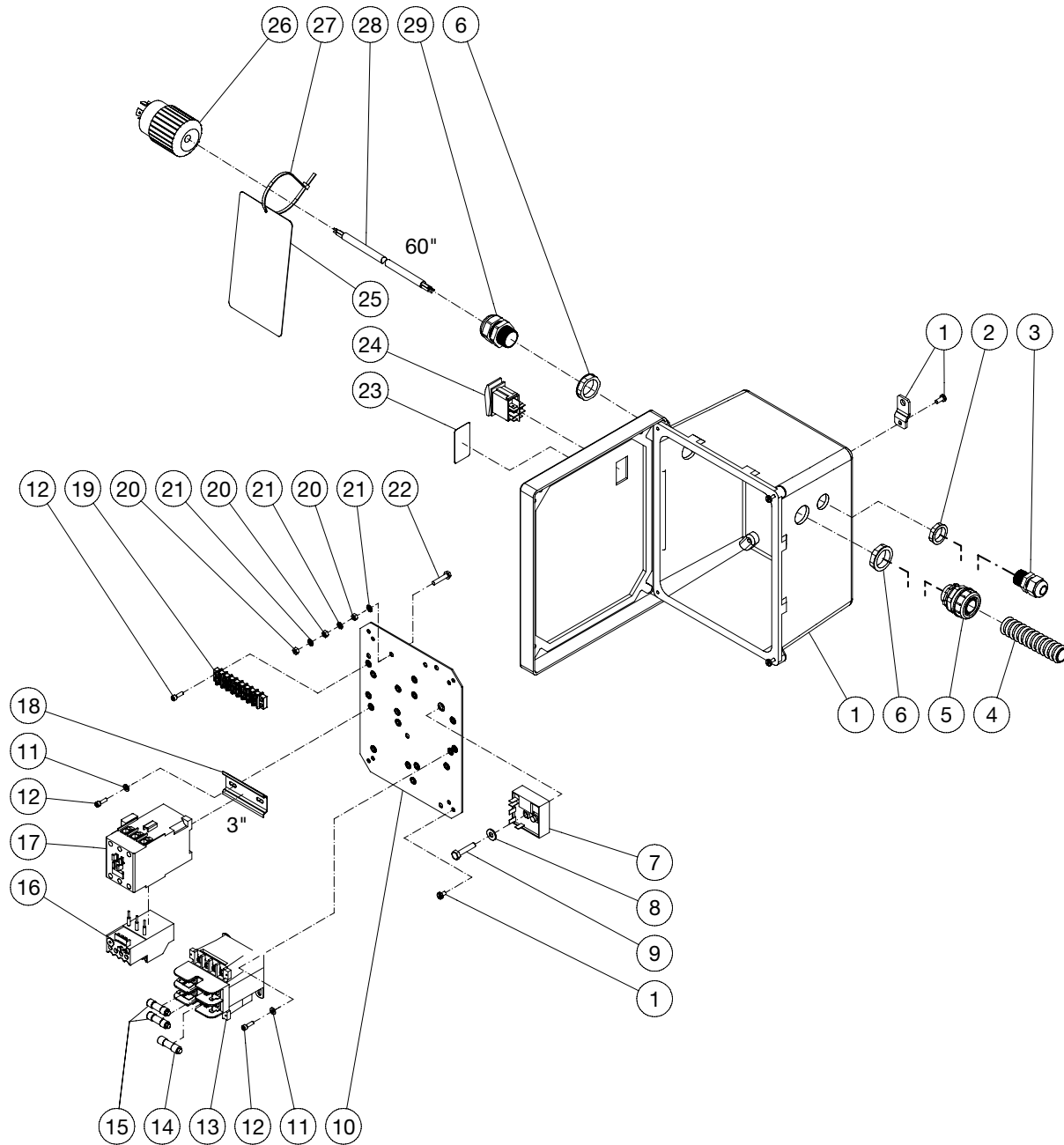
CAW-2004\_3004-0ME3 011022 TRP



FRAME ASSEMBLY							
ITEM	TITLE	PART #	QTY	ITEM	TITLE	PART #	QTY
1	WASHER	28-0003	12	31	UNLOADER	8-0633	1
2	BOLT	27-0068	6	32	ELBOW	24-0105	1
3	CABLE TIE	33-0022	3	33	QUICK CONNECT SOCKET	17-0007	1
4	HOOD	56-0097	1	34	BARB	23-0045	1
5	DECAL - STRIPE (3004)	N/A	1	35	O-RING	25-0123	2
-	DECAL - STRIPE (2004)	N/A	1	36	TEE	23-0043	1
6	DECAL - Mi-T-M (SEE 71-1069)	N/A	1	37	FILTER	19-0206	1
7	CONDUIT ELBOW	32-0487	1	38	LOCKNUT	30-0157	6
8	MOTOR (3004)	2-0233	1	39	BOLT	27-0118	4
-	MOTOR (2004)	2-0232	1	40	PANEL	56-0089	1
9	LOCKNUT	30-0159	4	41	DECAL - WARNING (SEE 71-1069)	N/A	1
10	WASHER	28-0004	8	42	DECAL- MOBILE PRO	34-3850	1
11	BASEPLATE	5-0382	1	43	DECAL - MADE IN USA	34-3553	1
12	DECAL - SILVER STICKER	N/A	1	44	DECAL - NOZZLE (SEE 71-1069)	N/A	1
13	NIPPLE	23-0012	1	45	NOZZLE (3004)	18-0402	1
14	NIPPLE	24-0010	1	-	NOZZLE (3004)	18-0403	1
15	PUMP	3-0440	1	-	NOZZLE (3004)	18-0404	1
16	RELIEF VALVE	22-0371	1	-	NOZZLE (3004)	18-0405	1
17	SAFETY VALVE	22-0376	1	-	NOZZLE (2004)	18-0410	1
18	CONDUIT FLEX *(SIX FEET REQUIRED) (3004)	32-0486	1	-	NOZZLE (2004)	18-0411	1
-	CONDUIT FLEX *(FIVE REQUIRED) (2004)	32-0486	1	-	NOZZLE (2004)	18-0412	1
19	KEY	43-0078	1	-	NOZZLE (2004)	18-0413	1
20	WASHER	28-0006	4	46	GROMMET	33-0001	4
21	LOCKWASHER	29-0010	4	47	HOSE ASSEMBLY	851-0338	1
22	BOLT	27-0217	4	48	QUICK CONNECT SOCKET	17-0004	1
23	BOLT	27-0015	4	49	QUICK CONNECT	17-0006	1
24	LOCKWASHER	29-0006	4	50	HOSE	15-0209	1
25	WASHER	28-0002	4	51	GUN	16-0446	1
26	HOSE *(TWO FEET REQUIRED)	15-0007	1	52	QUICK CONNECT	17-0074	1
27	HOSE CLAMP	42-0011	2	53	DUAL LANCE	16-0416	1
28	PRESSURE SWITCH	22-0171	1	54	QC SOCKET	17-0028	1
29	ELBOW	23-0050	1	55	ELECT BOX ASSY	N/A	1
30	REDUCER	23-0017	1	-	DECAL SET	71-1069	1

\*MUST ORDER IN ONE FOOT LENGTHS

# ELECTRIC BOX ASSEMBLY

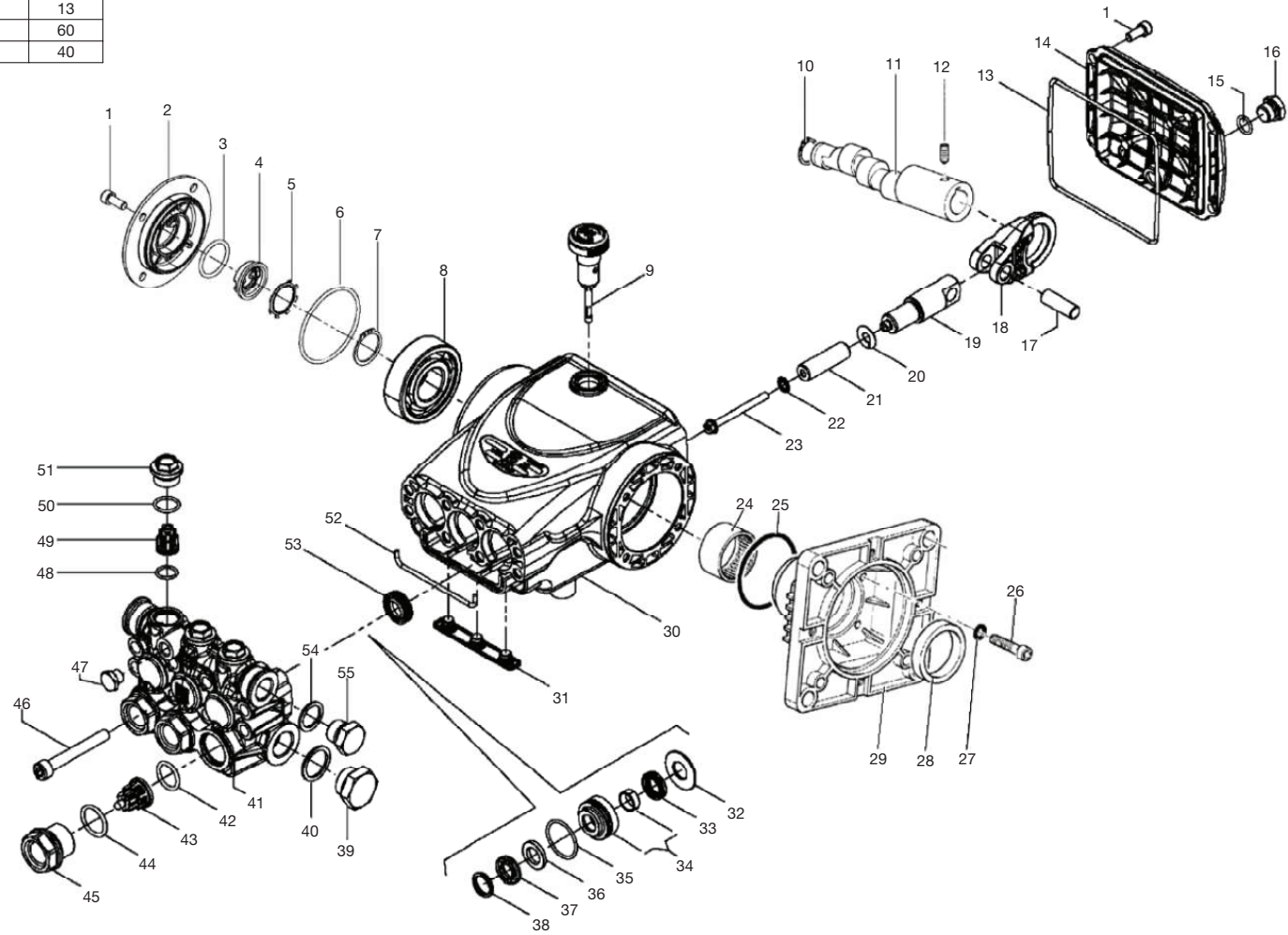


## ELECTRIC BOX ASSEMBLY

ITEM	DESCRIPTION	PART #	QTY	ITEM	DESCRIPTION	PART #	QTY
1	ELECTRIC BOX	32-1266	1	17	CONTACTOR - 30AMP (3004-0ME3)	32-0597	1
2	ELECTRICAL LOCKNUT	32-0108	1	-	CONTACTOR - 40AMP (3004-0ME1)	32-0328	1
3	STRAIN RELIEF	32-0437	1	-	CONTACTOR (2004-0ME1)	32-0328	1
4	CONDUIT *(SIX FEET REQUIRED) (3004-0ME3)	32-0486	1	-	CONTACTOR - 24AMP (2004-0ME3)	32-0329	1
-	CONDUIT *(FOUR FEET REQUIRED) (3004-0ME1)	32-0486	1	-	CONTACTOR - 18AMP (CX-0110/0111)	32-0327	1
-	CONDUIT *(FIVE FEET REQUIRED) (2004-0ME3)	32-0486	1	18	DIN RAIL *(ONE FOOT REQUIRED)	32-0316	1
-	CONDUIT *(FOUR FEET REQUIRED) (2004-0ME1)	32-0486	1	19	TERMINAL STRIP	32-0436	1
-	CONDUIT *(FIVE FEET REQUIRED) (CX-0110)	32-0486	1	20	NUT	30-6001	3
-	CONDUIT *(SIX FEET REQUIRED) (CX-0111)	32-0486	1	21	STAR WASHER	28-1009	3
5	CONDUIT STRAIGHT	32-0488	1	22	BOLT	27-8807	1
6	ELECTRICAL LOCKNUT (3004-0ME1)	32-0292	2	23	DECAL - ON/OFF (SEE 71-1069)	N/A	1
-	ELECTRICAL LOCKNUT (3004-0ME1)	32-0515	1	24	SWITCH	32-0801	1
7	TIMER SWITCH	32-0800	1	25	TAG - WARNING RISK OF ELECTROCUTION	34-1035	1
8	WASHER	28-0002	1	26	PLUG (3004-0ME3)	32-0037	1
9	BOLT	27-0017	1	-	PLUG (2004-0ME3)	32-0118	1
10	CONTROL PANEL	20-0723A06	1	-	PLUG (CX-0110/0111)	3-0117	1
11	WASHER	28-0010	4	27	CABLE TIE	33-0022	1
12	SCREW	27-8835	6	28	CORD *(FIVE FEET REQUIRED) (3004-0ME3)	32-0023	1
13	TRANSFORMER	32-0313	1	-	CORD (3004-0ME1)	32-1223	1
14	FUSE	32-1084	1	-	CORD (2004-0ME3, CX-0110_0111)	32-0025	1
15	FUSE	32-0467	2	-	CORD (2004-0ME1)	32-1264	1
-	FUSE (CX-0110_0111)	32-0325	2	29	CORD RELIEF	9-0046	1
16	OVERLOAD RELAY (3004-0ME3)	32-1076	1	-	CORD RELIEF (3004-0ME1)	9-0048	1
-	OVERLOAD RELAY (2004-0ME3)	32-1159	1	*MUST ORDER IN ONE FOOT LENGTHS			
-	OVERLOAD RELAY (CX-0110)	32-0481	1				
-	OVERLOAD RELAY (CX-0111)	32-0482	1				

# PUMP ASSEMBLY (3-0440)

TORQUE SPEC.		
POSITION	FT-LBS	NM
1	7.4	10
16	14.8	20
23	4.5	6
26	7.4	10
39	30	40
45	96	130
46	14.8	20
47	9.6	13
51	44.3	60
55	30	40



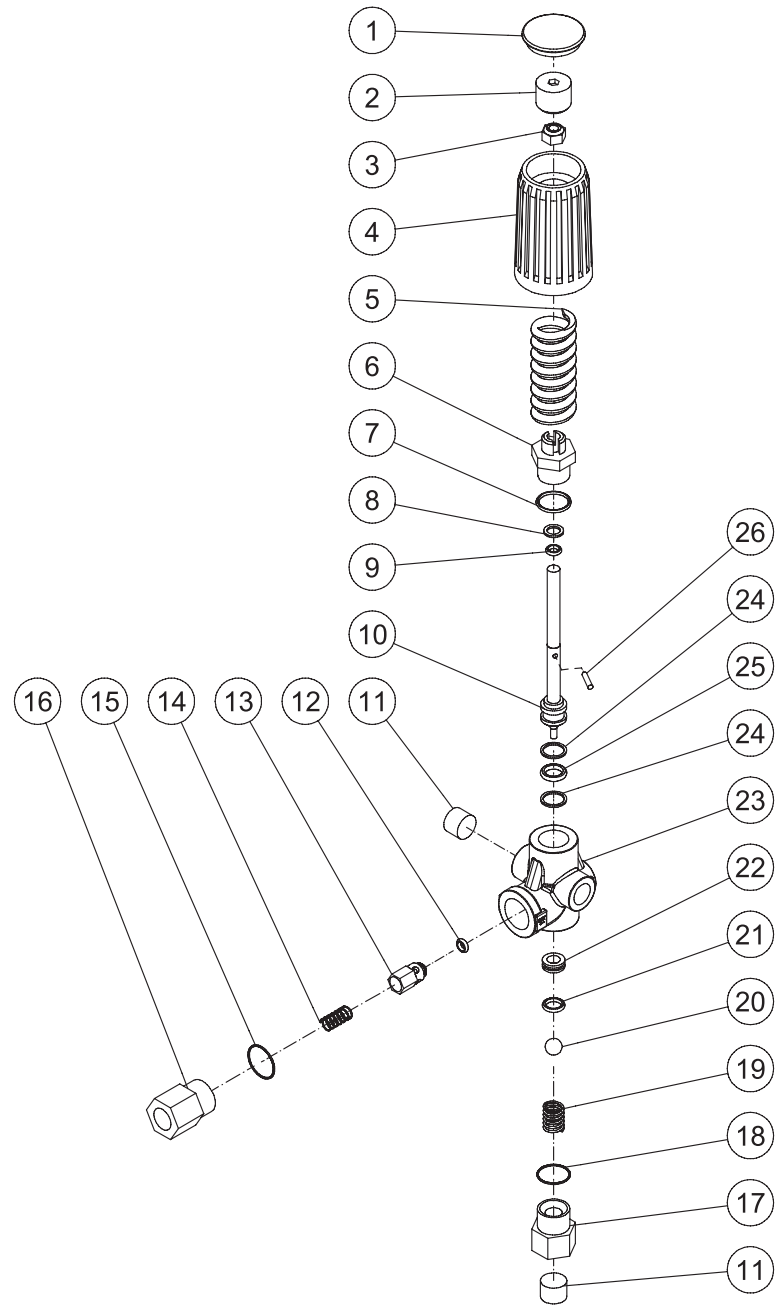
## PUMP ASSEMBLY

ITEM	DESCRIPTION	PART #	QTY	ITEM	DESCRIPTION	PART #	QTY
1	BOLT	27-8401	12	29	FLANGE	N/A	1
2	CRANKCASE COVER	46-1724	1	30	CRANKCASE	46-1733	1
3	O-RING	25-0400	1	31	DRIP COVER	46-1734	1
4	OIL LEVEL INDICATOR	46-1725	1	32	BUSHING (SEE KIT 70-0697)	SEE KIT	3
5	STOP RING	46-1726	1	33	OIL SEAL (SEE KIT 70-0697 AND 70-0696)	SEE KIT	3
6	O-RING	25-0158	1	34	PRESSURE SEAL (SEE KIT 70-0697)	SEE KIT	3
7	SNAP RING	46-0104	1	35	O-RING (SEE KIT 70-0697 AND 70-0696)	SEE KIT	3
8	BEARING	48-0093	1	36	HEAD RING (SEE KIT 70-0697 AND 70-0696)	SEE KIT	3
9	OIL DIP STICK	46-1727	1	37	V-PACKING SUPPORT (SEE KIT 70-0697 AND 70-0696)	SEE KIT	3
10	CIRCLIP	46-0104	1	38	HEAD RING (SEE KIT 70-0697 AND 70-0696)	SEE KIT	3
11	CRANKSHAFT	46-1728	1	39	PLUG	39-0019	1
12	BOLT	27-8886	1	40	WASHER	28-1038	1
13	O-RING	25-0713	1	41	MANIFOLD	N/A	1
14	CRANKCASE COVER	46-1729	1	42	O-RING (SEE KIT 70-0693)	SEE KIT	3
15	O-RING	25-0210	1	43	VALVE (SEE KIT 70-0693)	SEE KIT	3
16	PLUG	39-0017	1	44	O-RING (SEE KIT 70-0694)	SEE KIT	3
17	CONNECTING ROD PIN	43-0079	3	45	VALVE PLUG (SEE KIT 70-0694)	SEE KIT	3
18	CONNECTING ROD	46-1730	3	46	BOLT	27-8439	8
19	PISTON GUIDE	46-1731	3	47	PLUG	39-0032	1
20	WASHER	28-0070	3	48	O-RING (SEE KIT 70-0693)	SEE KIT	3
21	PLUNGER	46-1732	3	49	VALVE (SEE KIT 70-0693)	SEE KIT	1
22	WASHER	28-0071	3	50	O-RING (SEE KIT 70-0694)	SEE KIT	3
23	BOLT	27-0907	3	51	VALVE PLUG (SEE KIT 70-0694)	SEE KIT	3
24	BEARING	48-0040	1	52	GASKET	26-0416	1
25	O-RING	25-0060	1	53	OIL SEAL (SEE KIT 70-0695)	SEE KIT	3
26	BOLT	27-8404	4	54	WASHER	28-1002	1
27	WASHER	28-0072	4	55	PLUG	39-0018	1
28	OIL SEAL	26-0415	1				

## REPLACEMENT KITS

KIT#	DESCRIPTION	ITEMS	# OF ASSEMBLIES	# OF CYLINDERS
70-0693	VALVES	42, 43, 48, 49	6	3
70-0694	VALVE PLUG	44, 45, 50, 51	3	3
70-0695	OIL SEALS	53	3	3
70-0696	PACKING SEALS	33, 35, 36, 37, 38	3	3
70-0697	PACKING WITH BRASS SEALS	32, 33, 34, 35, 36, 37, 38	1	1

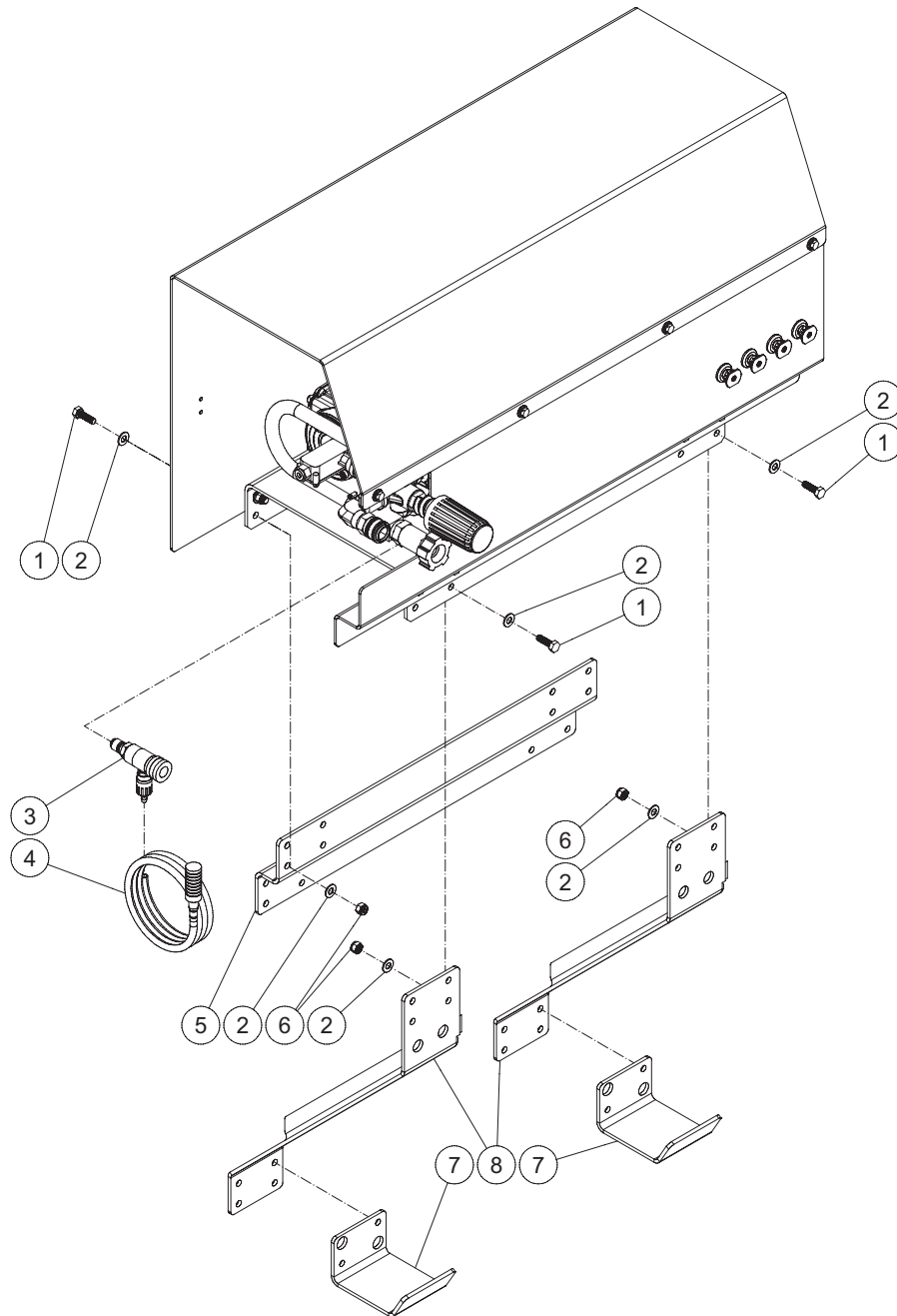
# UNLOADER ASSEMBLY (8-0633)



UNLOADER			
ITEM	DESCRIPTION	PART #	QTY
1	CAP	39-0252	1
2	NUT	46-1528	1
3	LOCKNUT	30-3156	1
4	KNOB	7-0242	1
5	SPRING	49-0171	1
6	FITTING	46-1529	1
7	O-RING (SEE KIT 70-0625)	SEE KIT	1
8	O-RING (SEE KIT 70-0625)	SEE KIT	1
9	O-RING (SEE KIT 70-0625)	SEE KIT	1
10	STEM	46-1530	1
11	PLUG	23-0244	2
12	O-RING (SEE KIT 70-0624)	SEE KIT	1
13	POPPET (SEE KIT 70-0624)	SEE KIT	1
14	SPRING (SEE KIT 70-0624)	SEE KIT	1
15	O-RING	25-0672	1
16	OUTLET FITTING	46-1531	1
17	INLET FITTING (SEE KIT 70-0625)	SEE KIT	1
18	O-RING (SEE KIT 70-0625)	SEE KIT	1
19	SPRING	49-0172	1
20	BALL (SEE KIT 70-0625)	SEE KIT	1
21	O-RING (SEE KIT 70-0625)	SEE KIT	1
22	SEAT	46-1532	1
23	FORGING	46-1533	1
24	BACKUP RING (SEE KIT 70-0625)	SEE KIT	2
25	O-RING (SEE KIT 70-0625)	SEE KIT	1
26	PIN (SEE KIT 70-0625)	SEE KIT	1

REPLACEMENT KITS			
KIT #	DESCRIPTION	ITEMS	QTY
70-0624	KIT - CHECK VALVE	12-14	1, 1, 1
70-0625	KIT - UNLOADER REBUILD	7-9, 17, 18, 20, 21, 24-26	1, 1, 1, 1, 1, 1, 1, 2, 1, 1

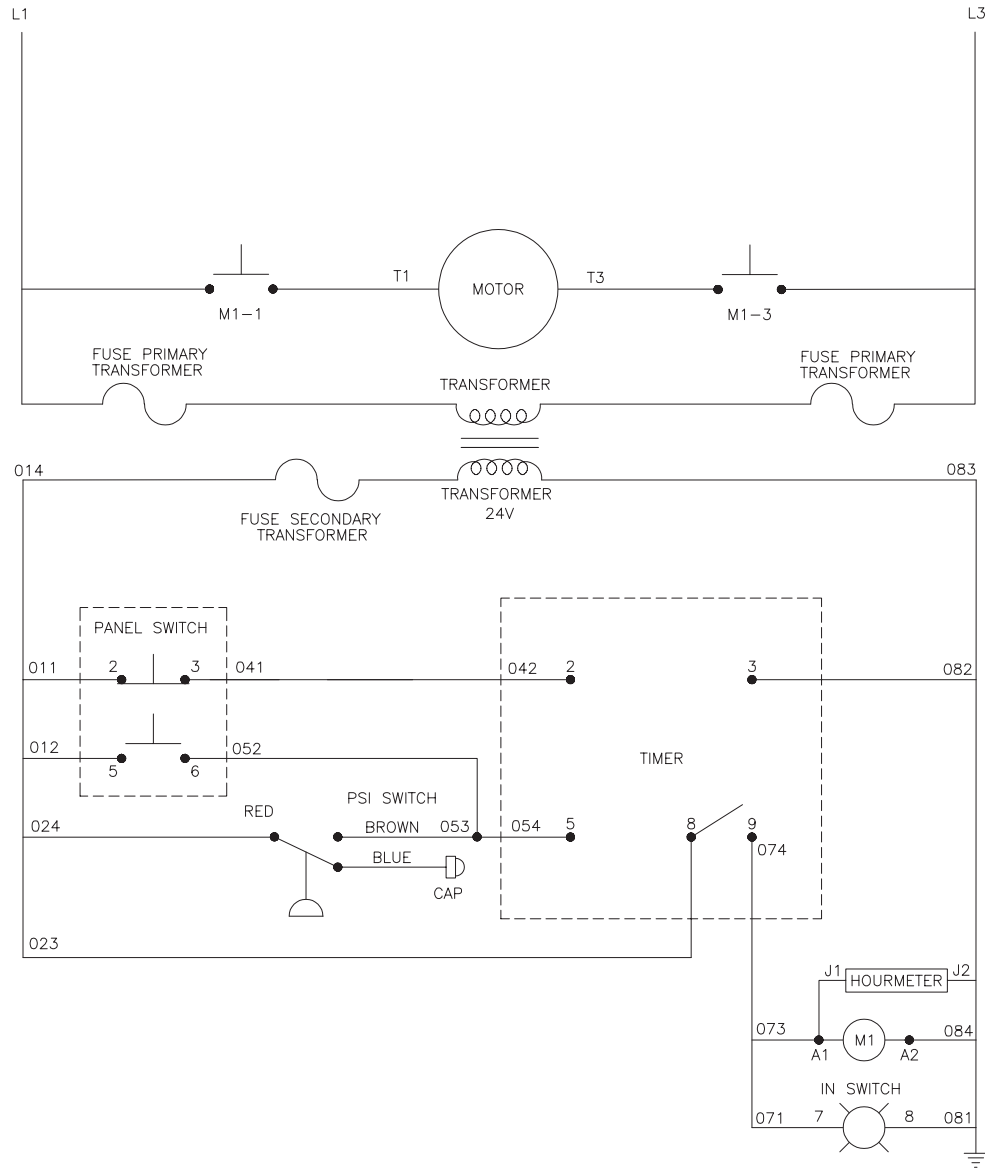
# WALL MOUNT BRACKET ASSEMBLY



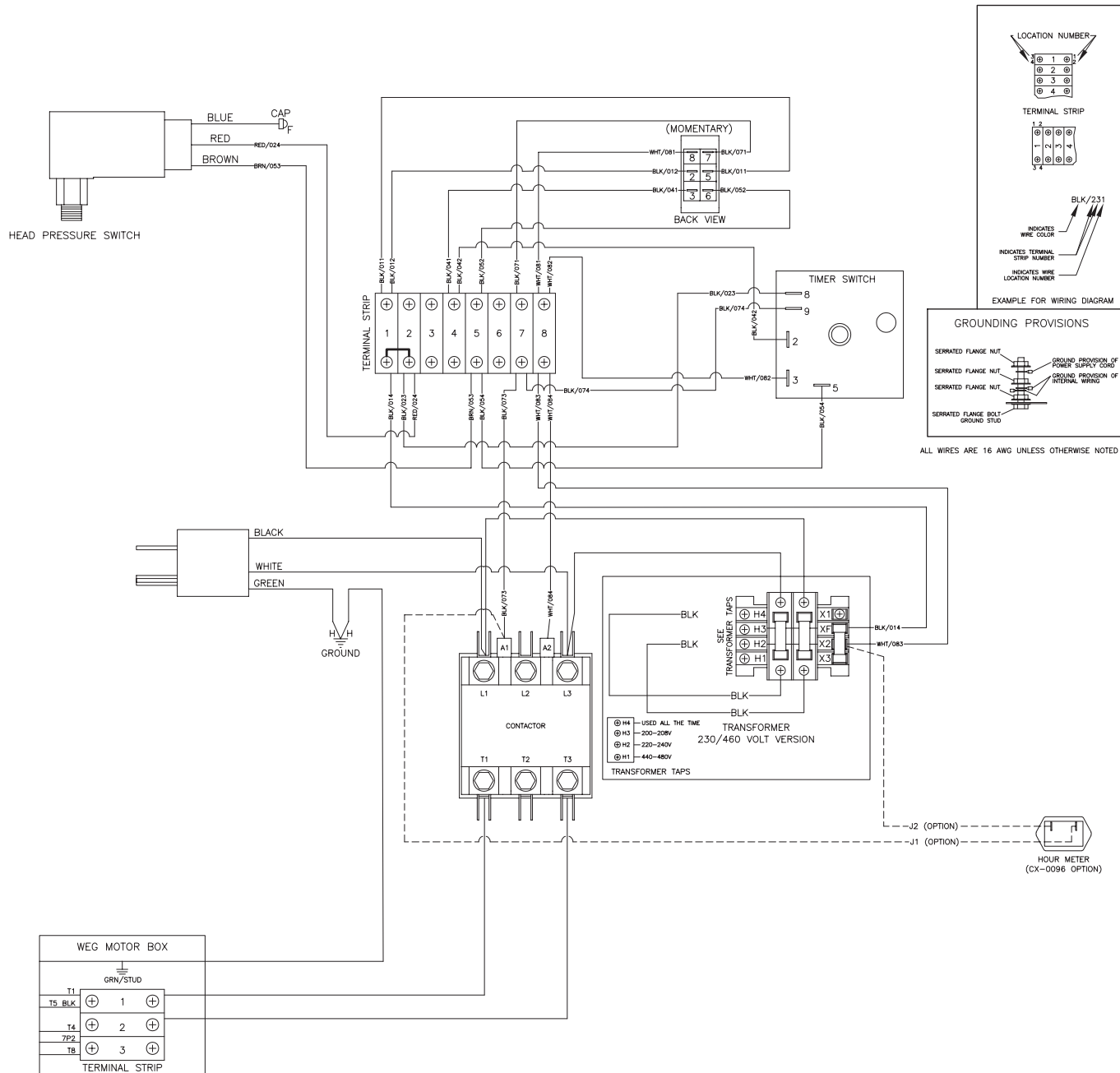


CAW_GC 2004 3004 WALL MOUNT BRACKET ASSY 031221 RSW			
WALL MOUNT BRACKET ASSEMBLY			
ITEM	TITLE	PART #	QTY
1	BOLT	27-0067	8
2	WASHER	28-0003	16
3	CHEMICAL INJECTOR	50-0182	1
4	DETERGENT HOSE	19-0233	1
5	SPACER BRACKET	13-0238	1
6	LOCKNUT	30-0157	8
7	HOSE HANGER BRACKET	13-0240	2
8	WALL MOUNT BRACKET	13-0237	2

# WIRING SCHEMATIC SINGLE PHASE (AFTER SERIAL #11351284)

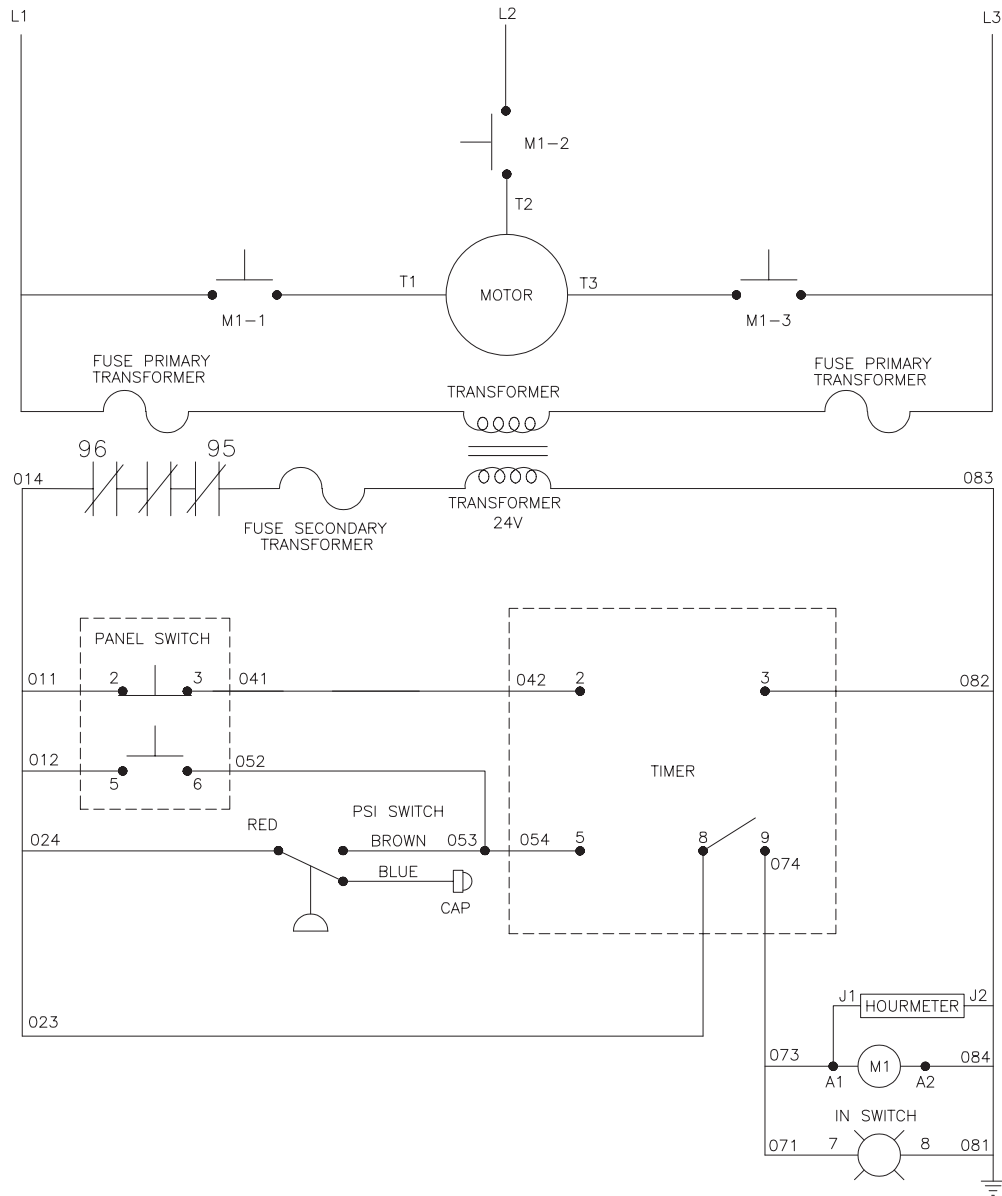


# WIRING DIAGRAM SINGLE PHASE (AFTER SERIAL #11351284)



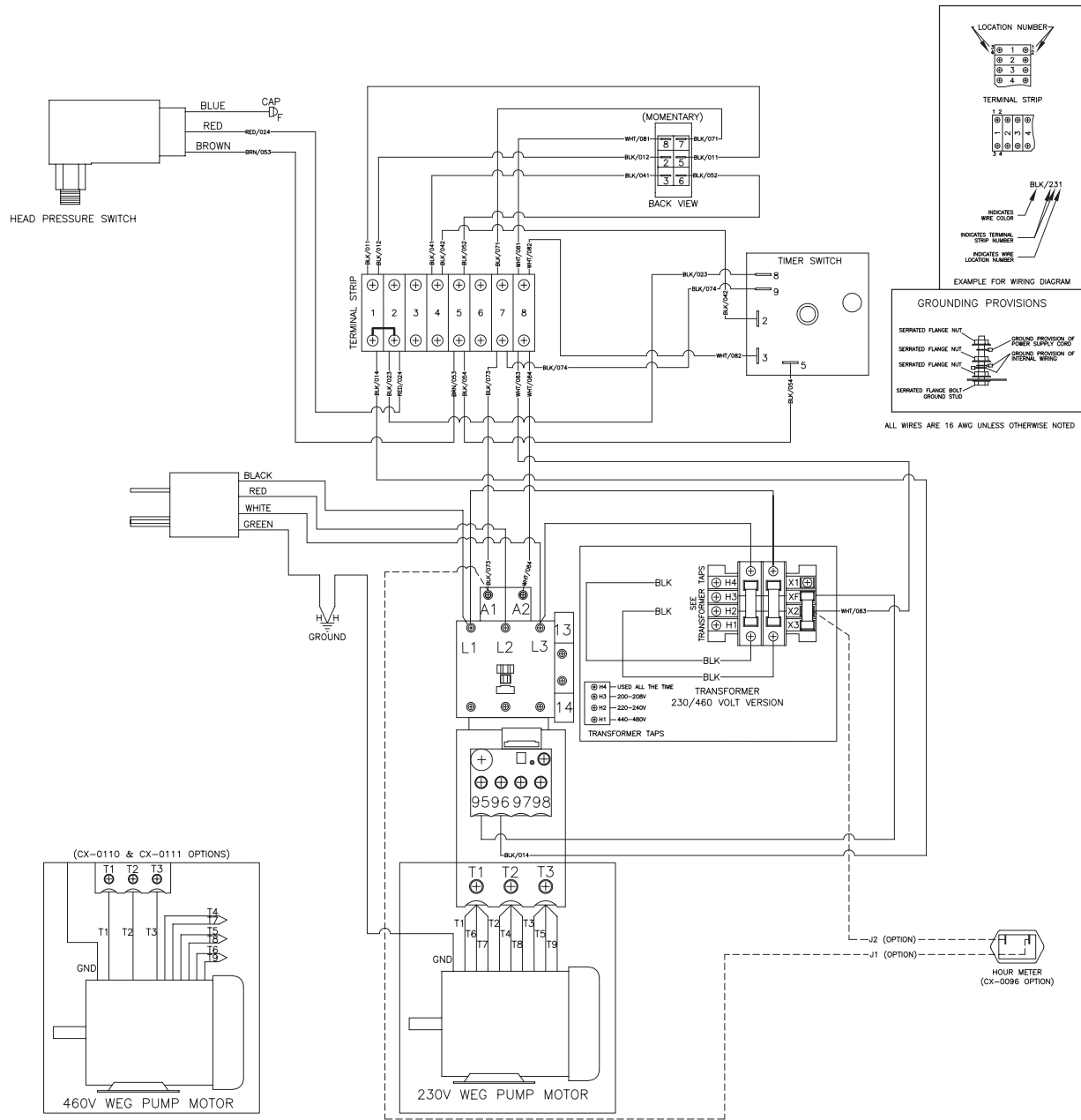
WD - CAW 6\_8HP 1PH (CX-0096) 022822

# WIRING SCHEMATIC THREE PHASE (AFTER SERIAL #11346043)



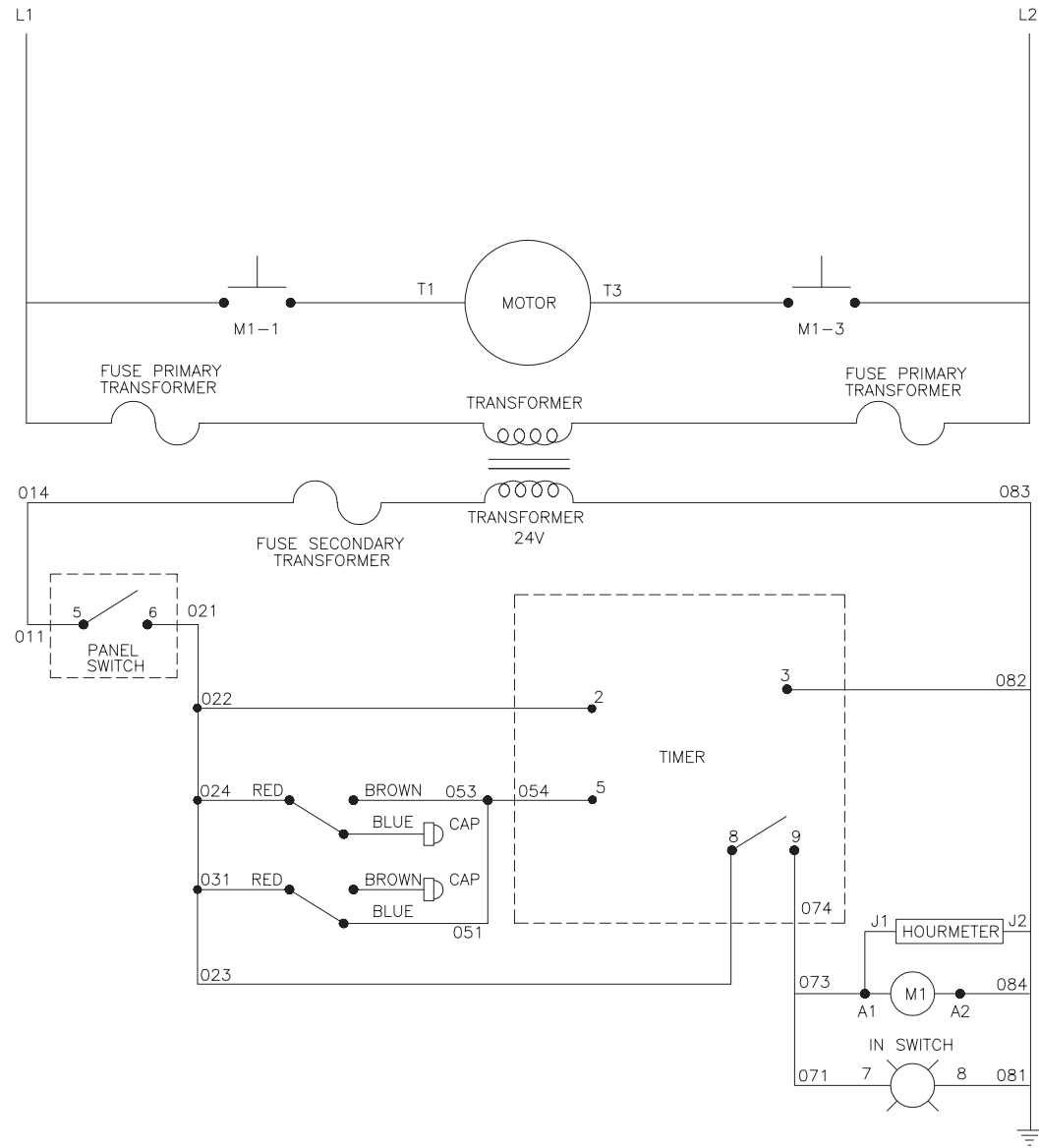
WS - CAW 6\_8HP 3PH (CX-0096\_110\_111) 022122

# WIRING DIAGRAM THREE PHASE (AFTER SERIAL #11346043)



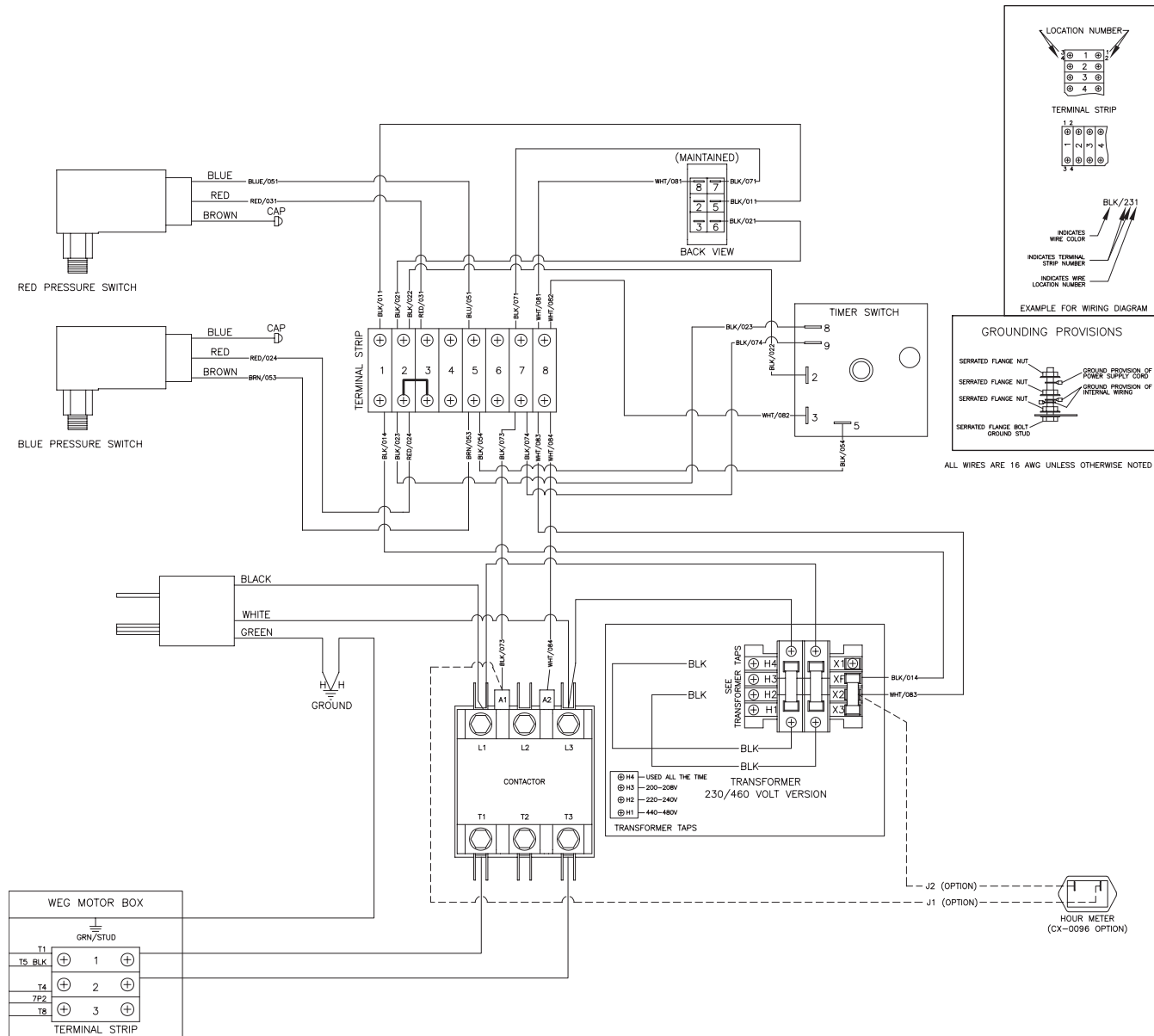
WD - CAW 6\_8HP 3PH (CX-0096\_110\_111) 022122

# WIRING SCHEMATIC SINGLE PHASE - AUTO - START/STOP (AFTER SERIAL #11351284)



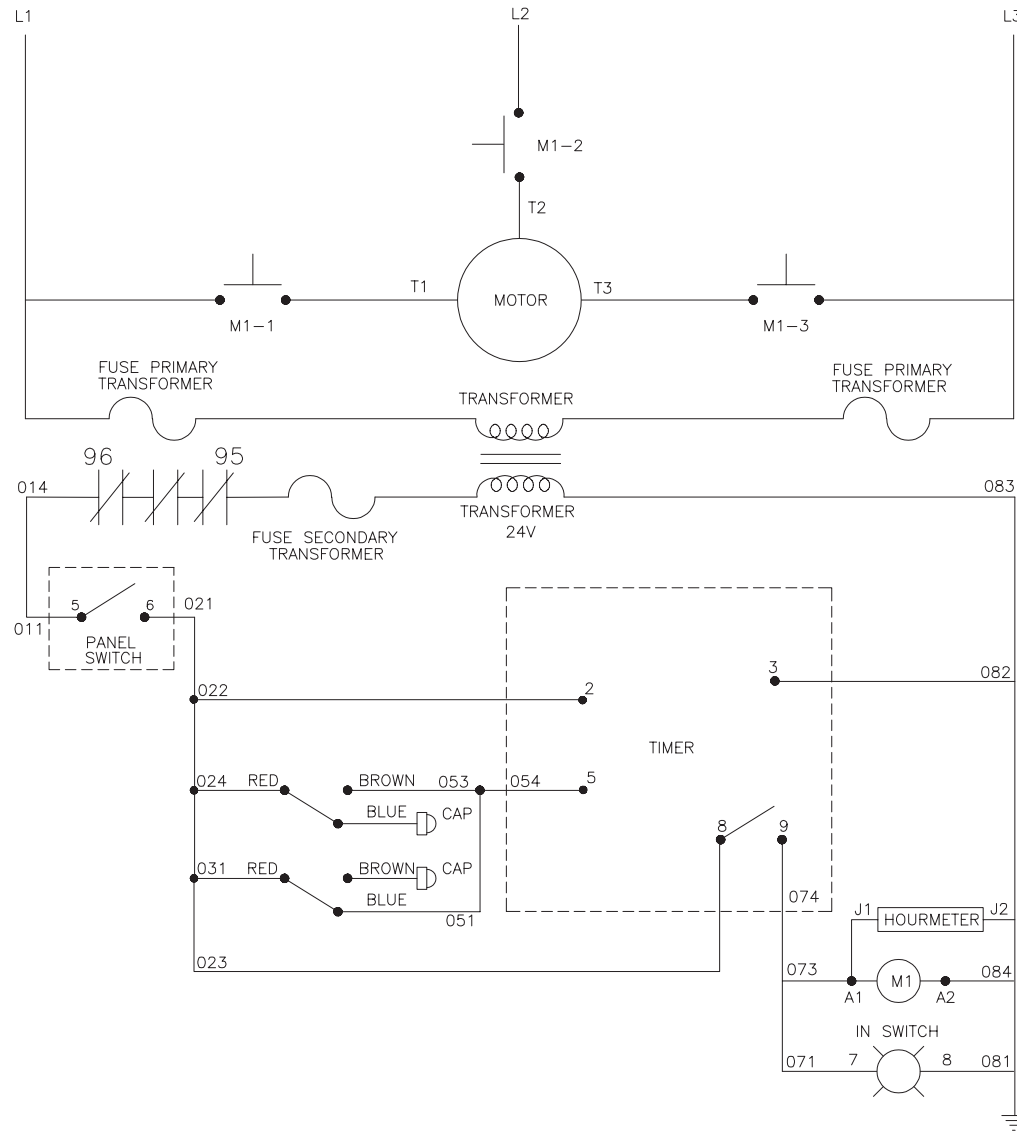
WS - CX-0112 AUTO SS CAW 6\_8HP 1PH (CX-0096) 022822

# WIRING DIAGRAM SINGLE PHASE - AUTO - START/STOP (AFTER SERIAL #11351284)



WD - CX-0112 AUTO SS CAW 6\_8HP 1PH (CX-0096) 022822

# WIRING SCHEMATIC THREE PHASE - AUTO - START/STOP (AFTER SERIAL #11346043)

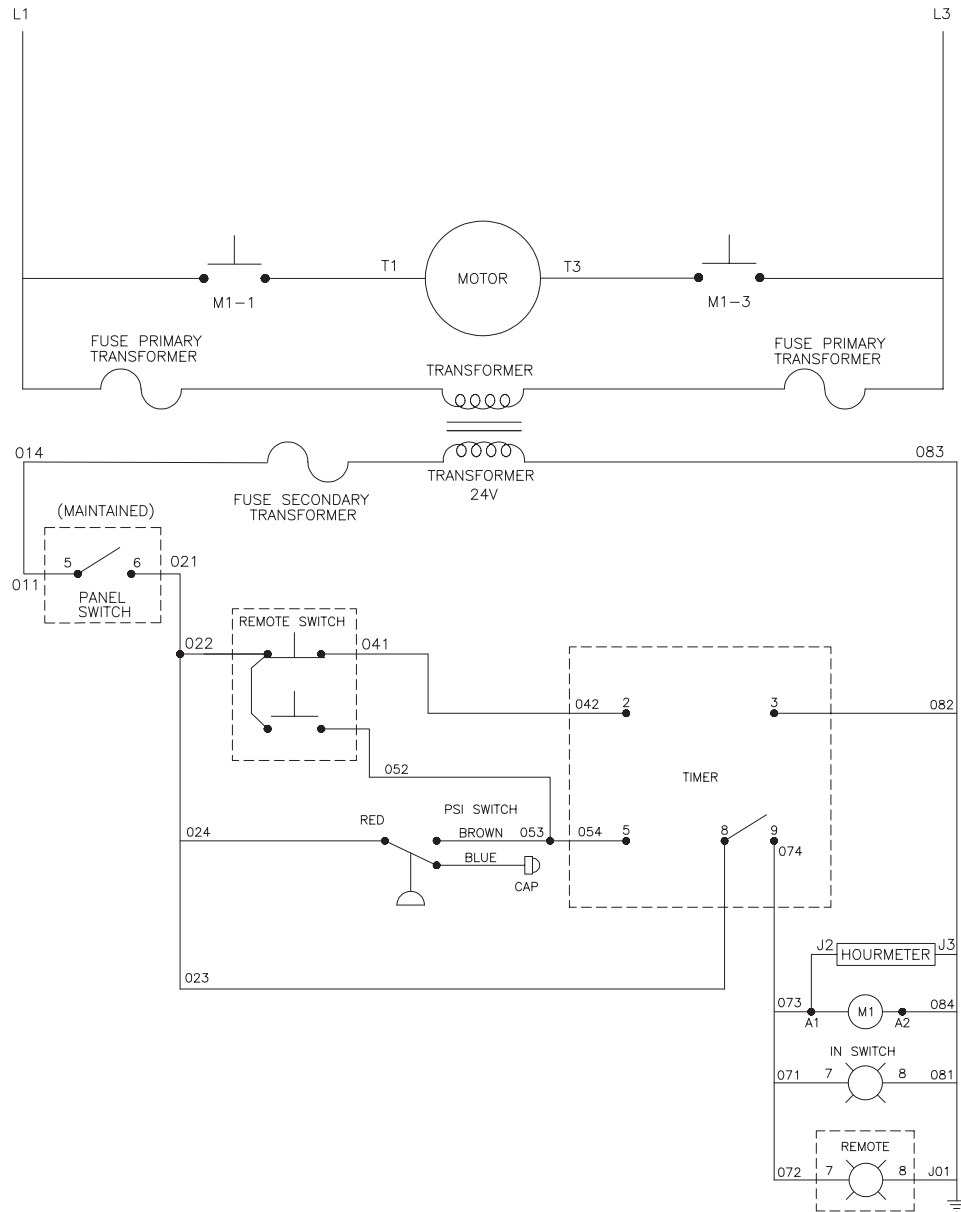


WS - CX-0112 AUTO SS CAW 6\_8HP 3PH (CX-0096\_110\_111) 022122



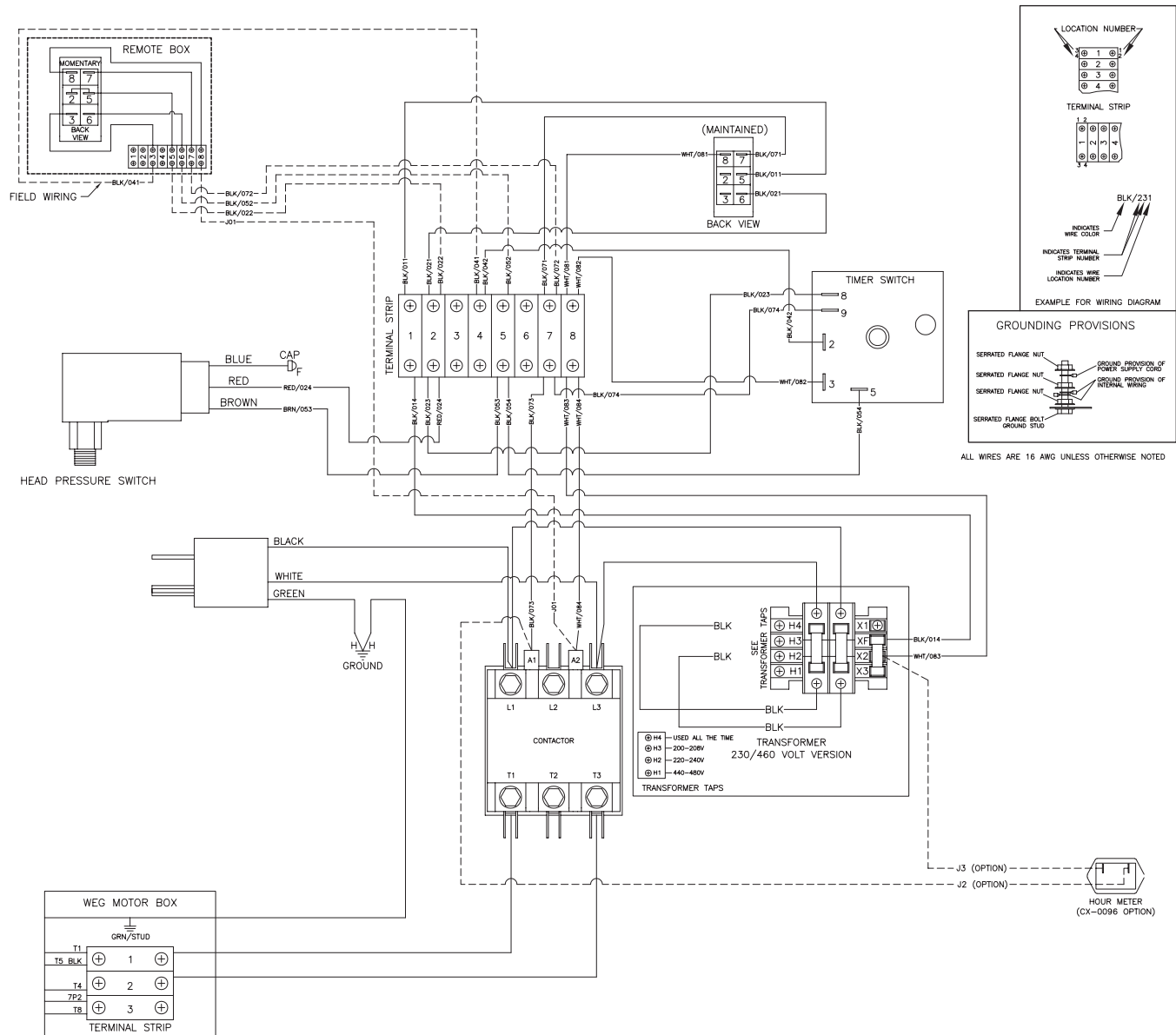


# WIRING SCHEMATIC SINGLE PHASE - REMOTE BOX (AFTER SERIAL #11351284)

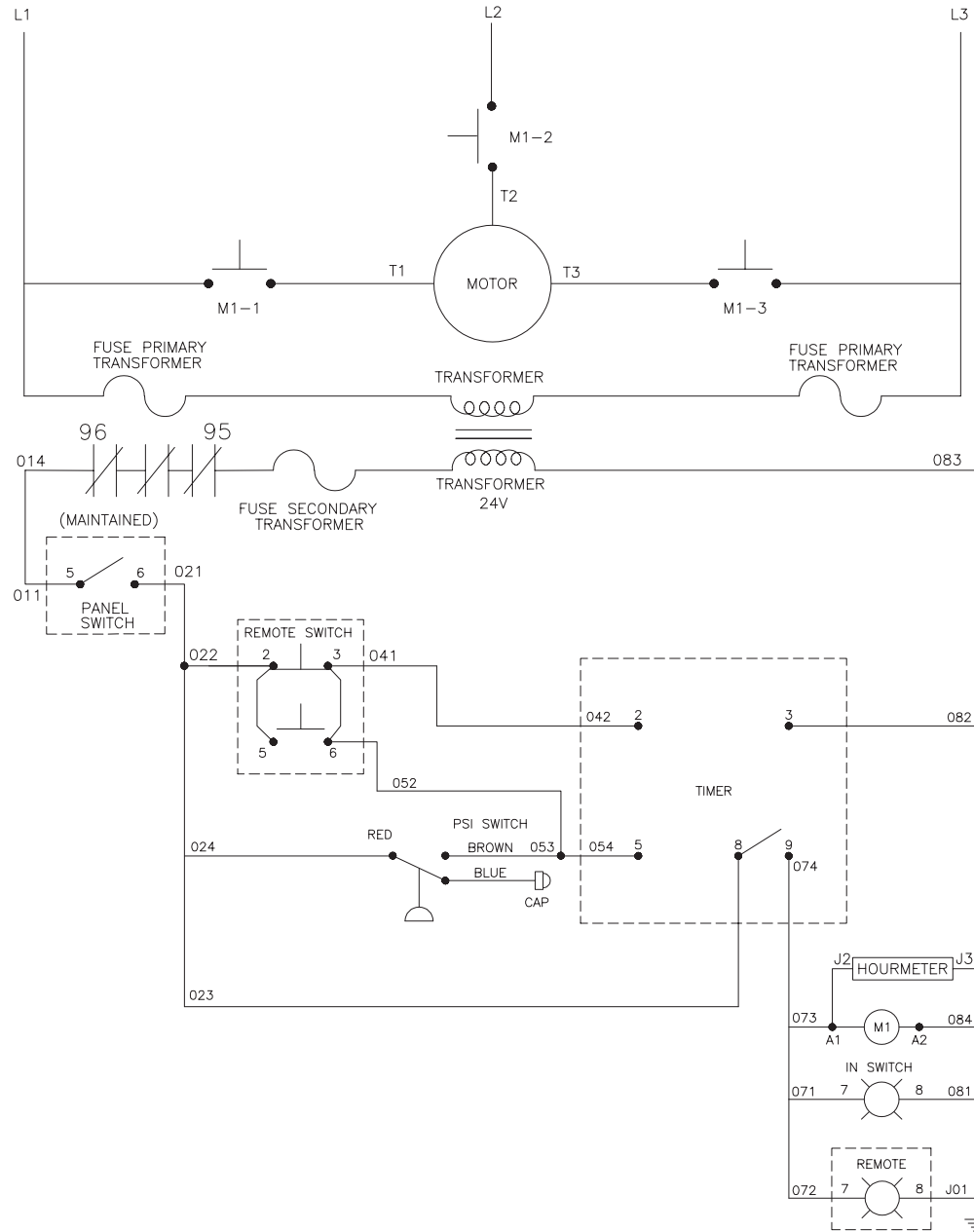


WS - CX-0078 RB CAW 6\_8HP 1PH (CX-0096) 022822

# WIRING DIAGRAM SINGLE PHASE - REMOTE BOX (AFTER SERIAL #11351284)



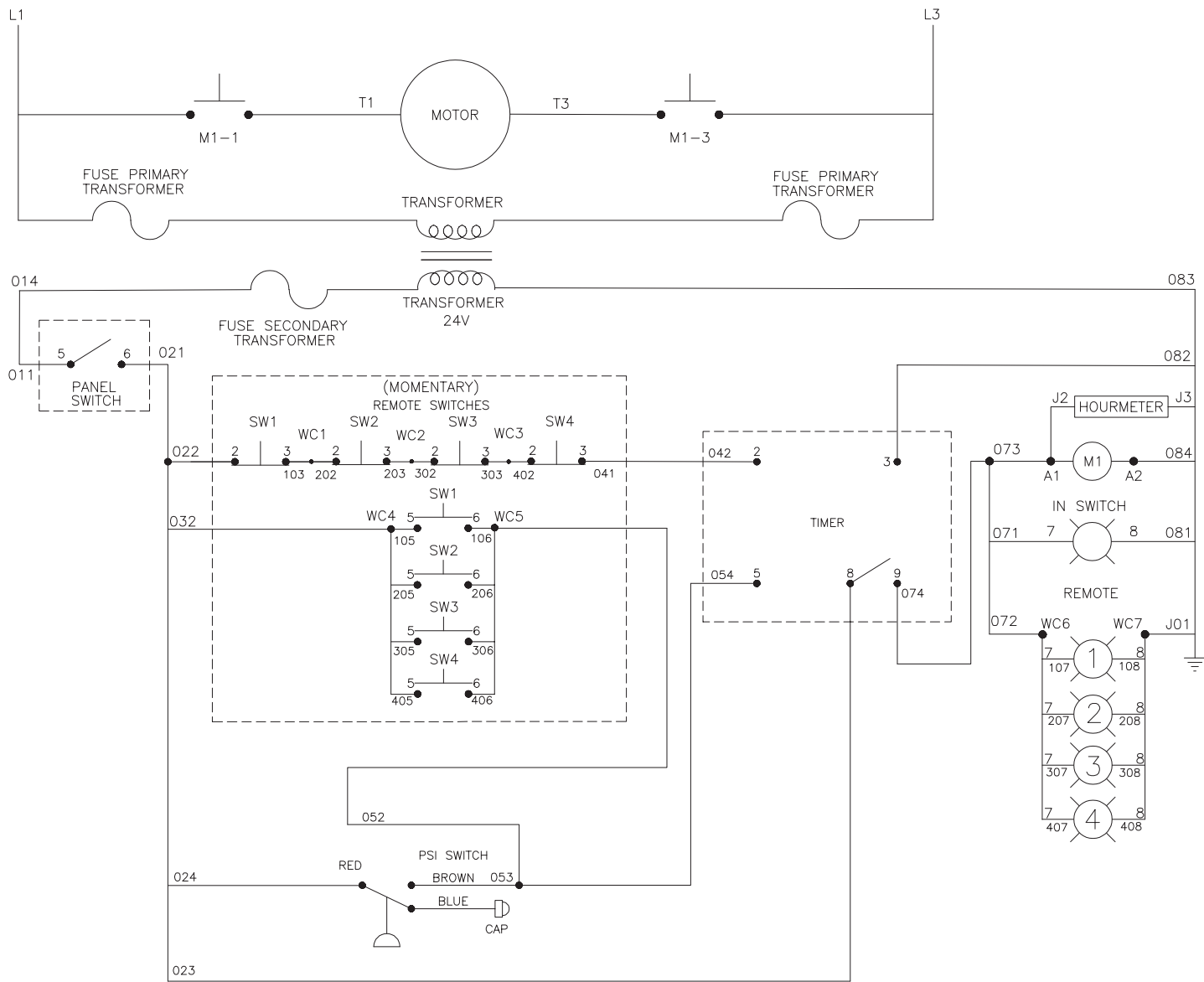
# WIRING SCHEMATIC THREE PHASE - REMOTE BOX (AFTER SERIAL #11346043)



WS - CX-0078 RB CAW 6\_8HP 3PH (CX-0096\_110\_111) 022122

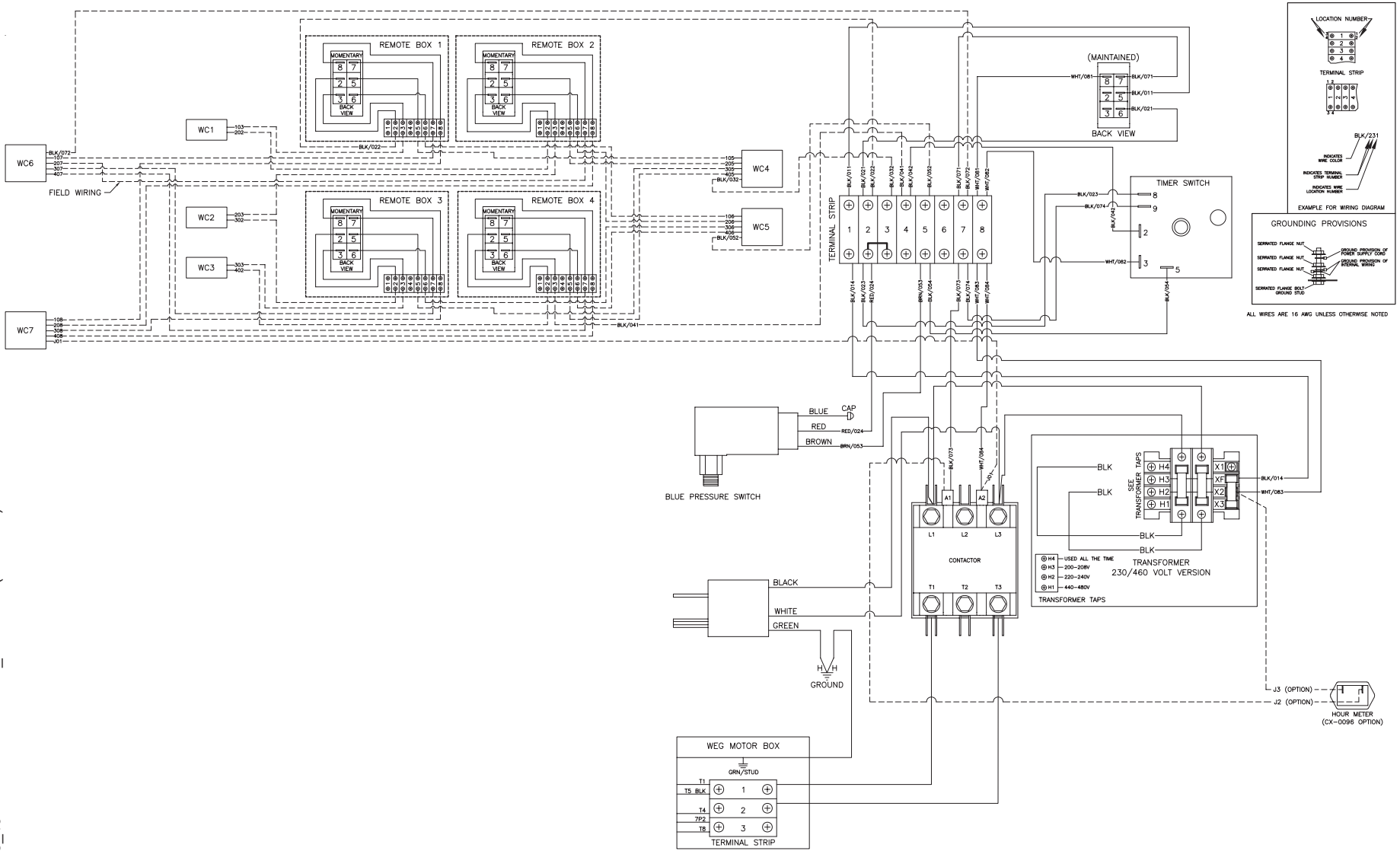


# WIRING SCHEMATIC SINGLE PHASE - MULTI REMOTE BOX (AFTER SERIAL #11351284)



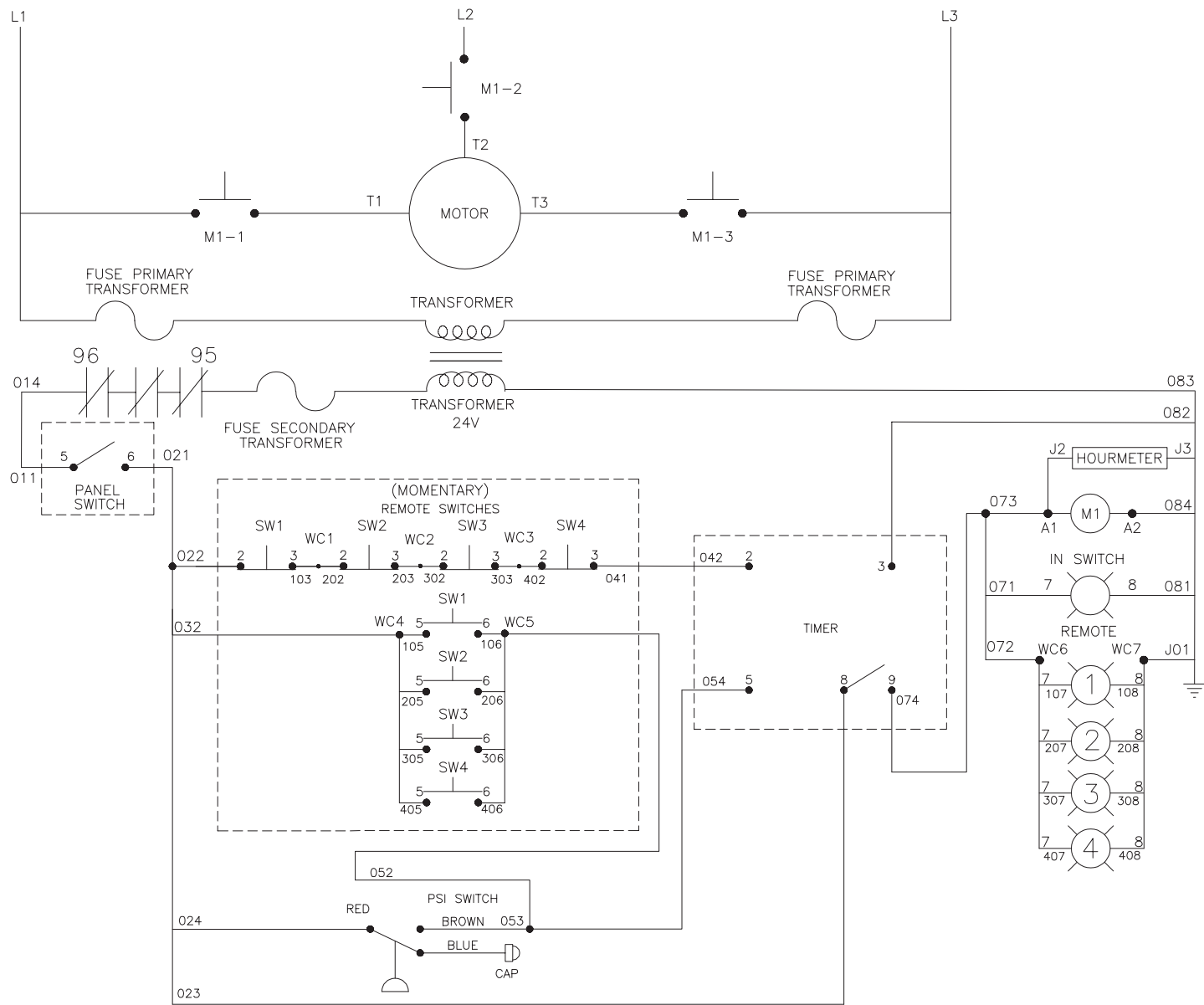
WS - CX-0078\_109 MULTI RB CAW 6\_8HP 1PH (CX-0096) 022822

# WIRING DIAGRAM SINGLE PHASE - MULTI REMOTE BOX (AFTER SERIAL #11351284)



WD - CX-0078\_109 MULTI RB CAW 6\_8HP 1PH (CX-0096) 022822

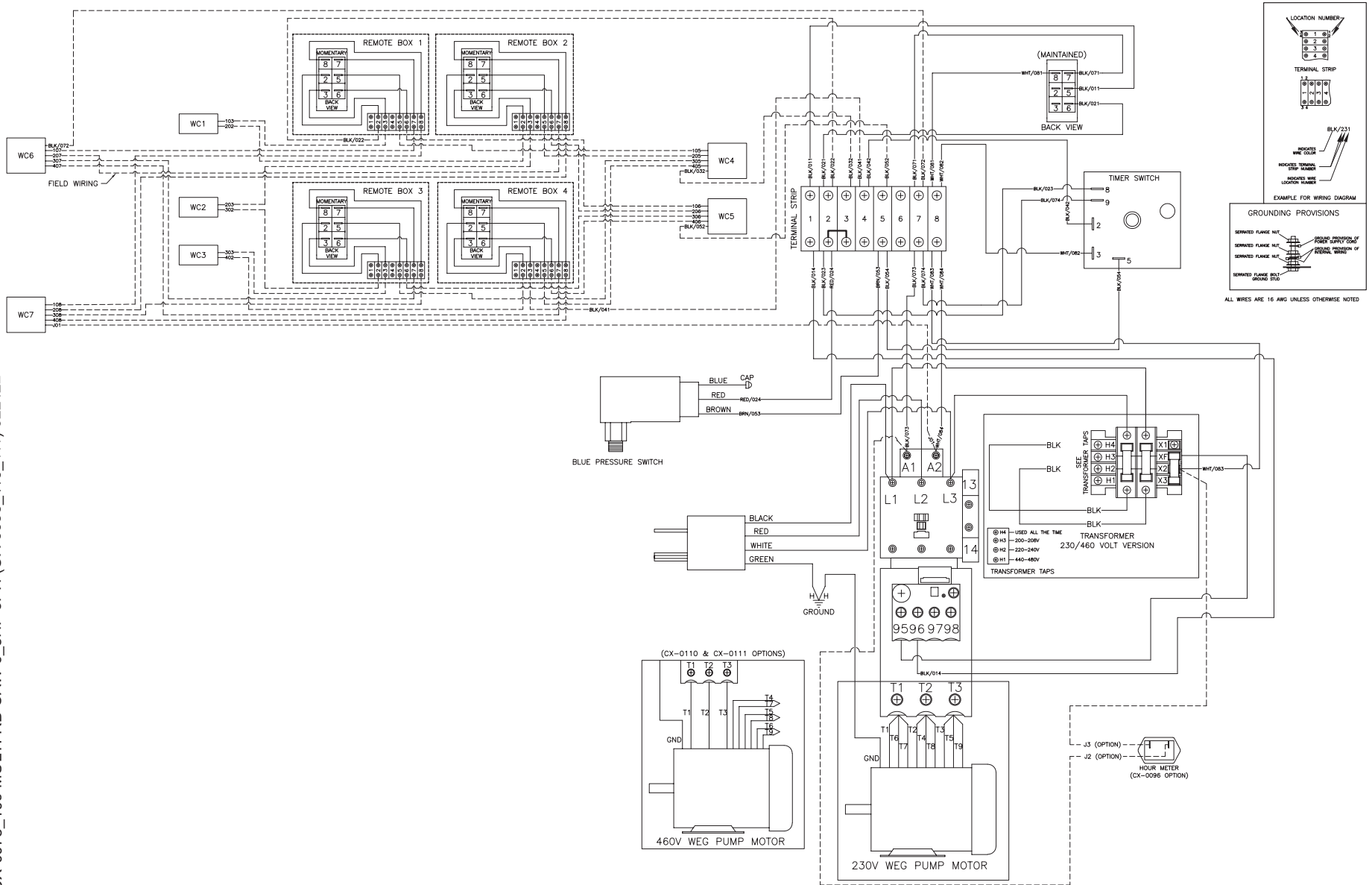
# WIRING SCHEMATIC THREE PHASE - MULTI REMOTE BOX (AFTER SERIAL #11346043)



WS - CX-0078\_109 MULTI RB CAW 6\_8HP 3PH (CX-0096\_110\_111) 022122

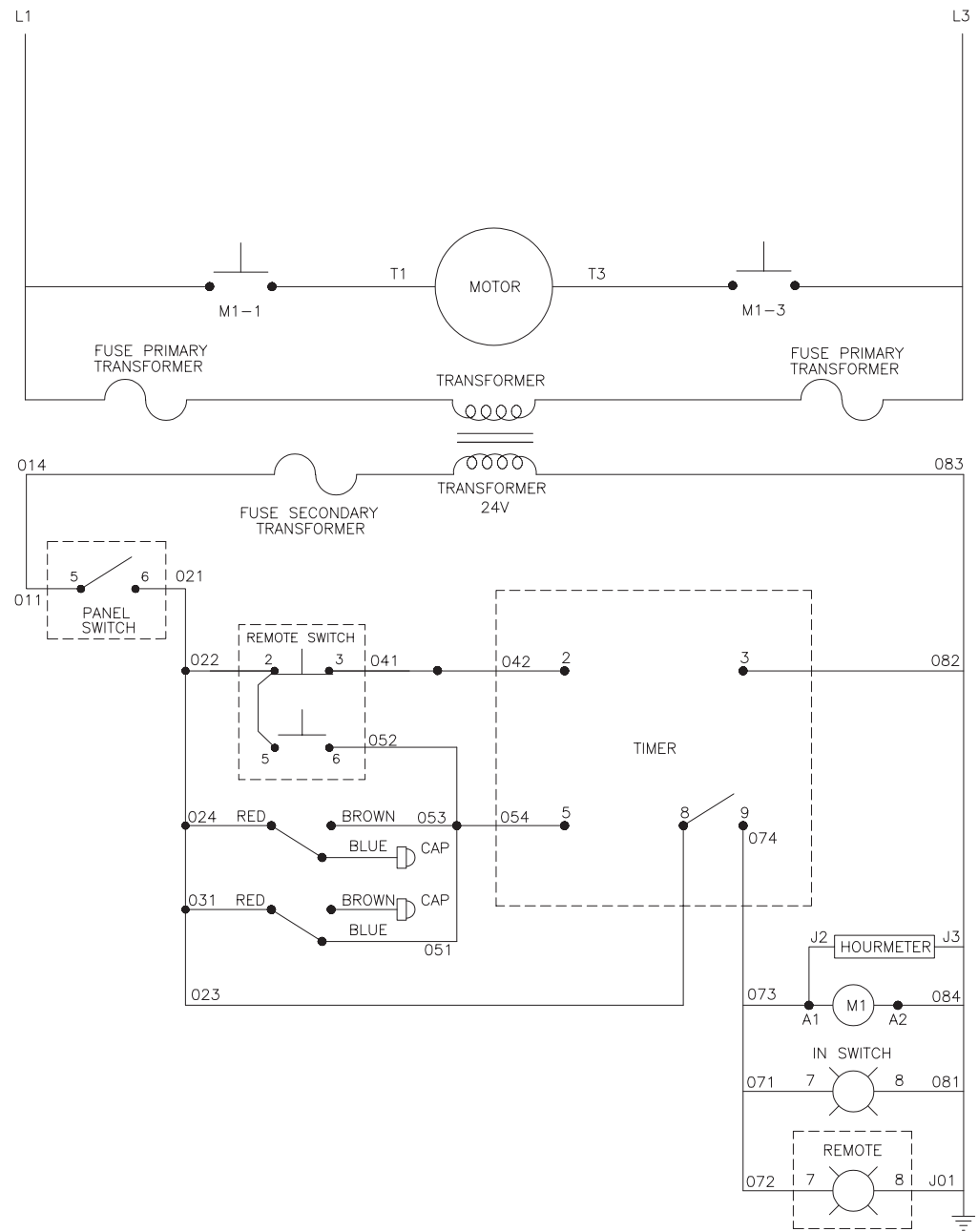


# WIRING DIAGRAM THREE PHASE - MULTI REMOTE BOX (AFTER SERIAL #11346043)



WD - CX-0078\_109 MULTI RB CAW 6\_8HP 3PH (CX-0096\_110\_111) 022122

# WIRING SCHEMATIC SINGLE PHASE - AUTO START/STOP, REMOTE BOX (AFTER SERIAL #11351284)

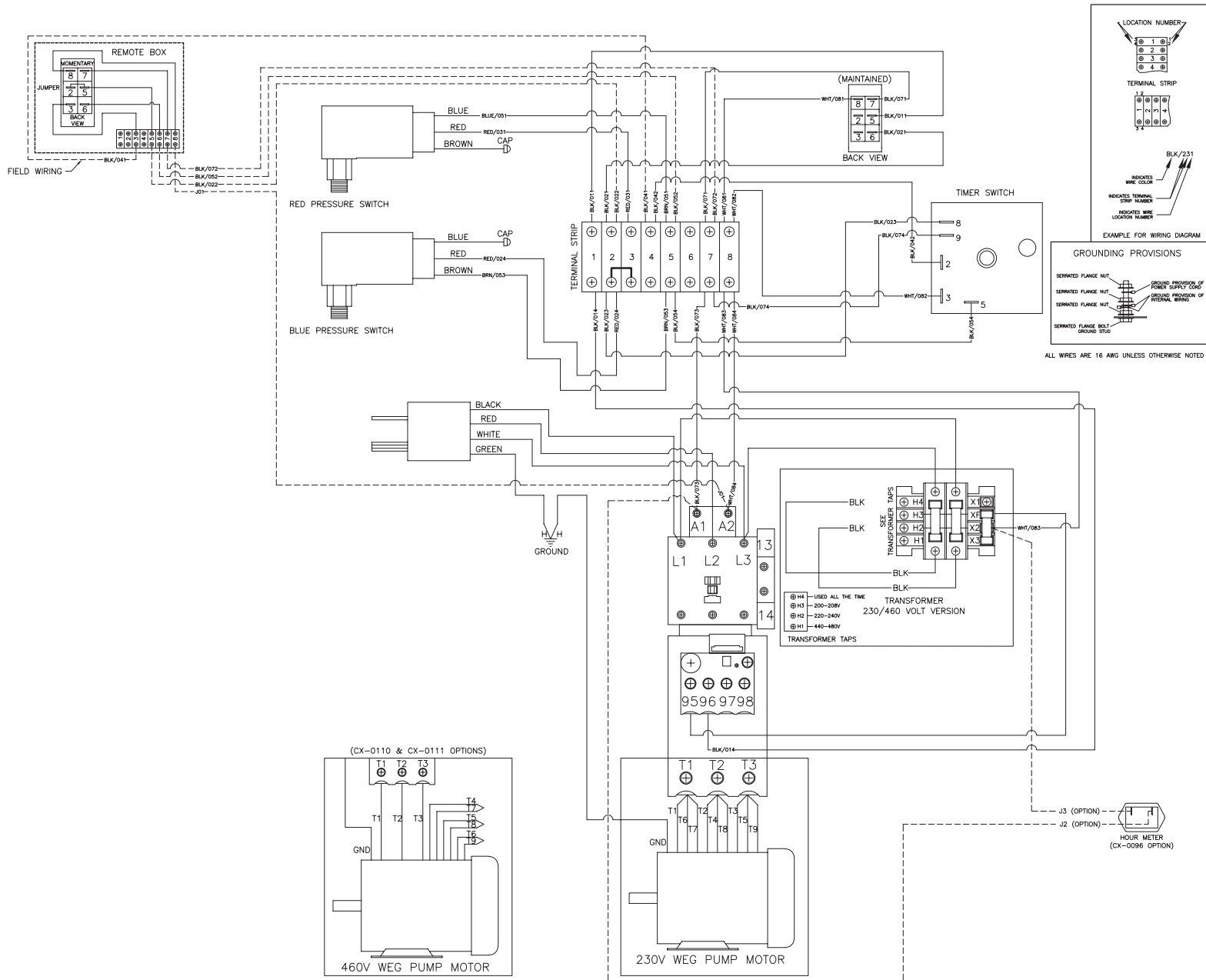


WS - CX-0078\_112 AUTO SS, RB CAW 6\_8HP 1PH (CX-0096) 022822



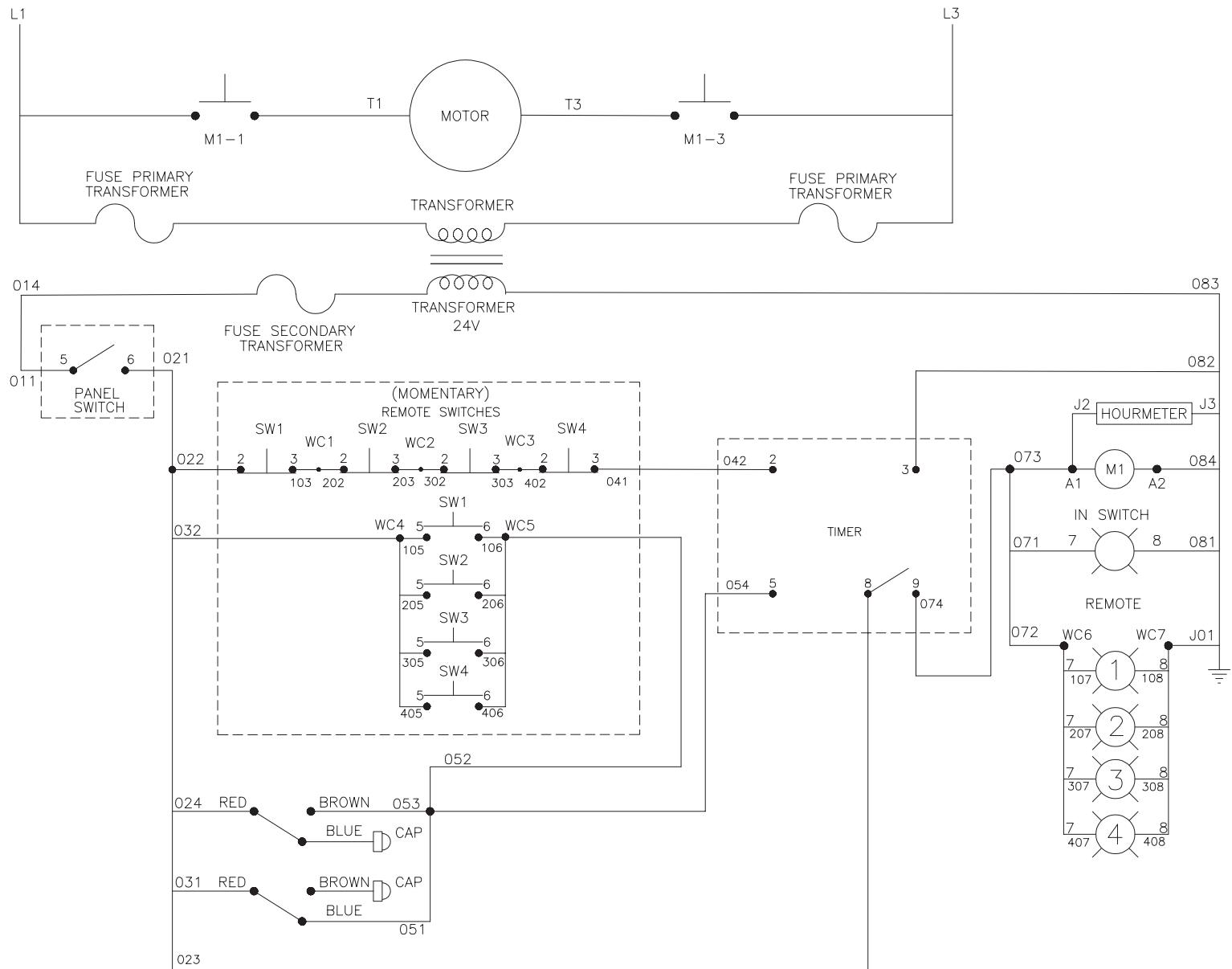


# WIRING DIAGRAM THREE PHASE - AUTO START/STOP, REMOTE BOX (AFTER SERIAL #11346043)



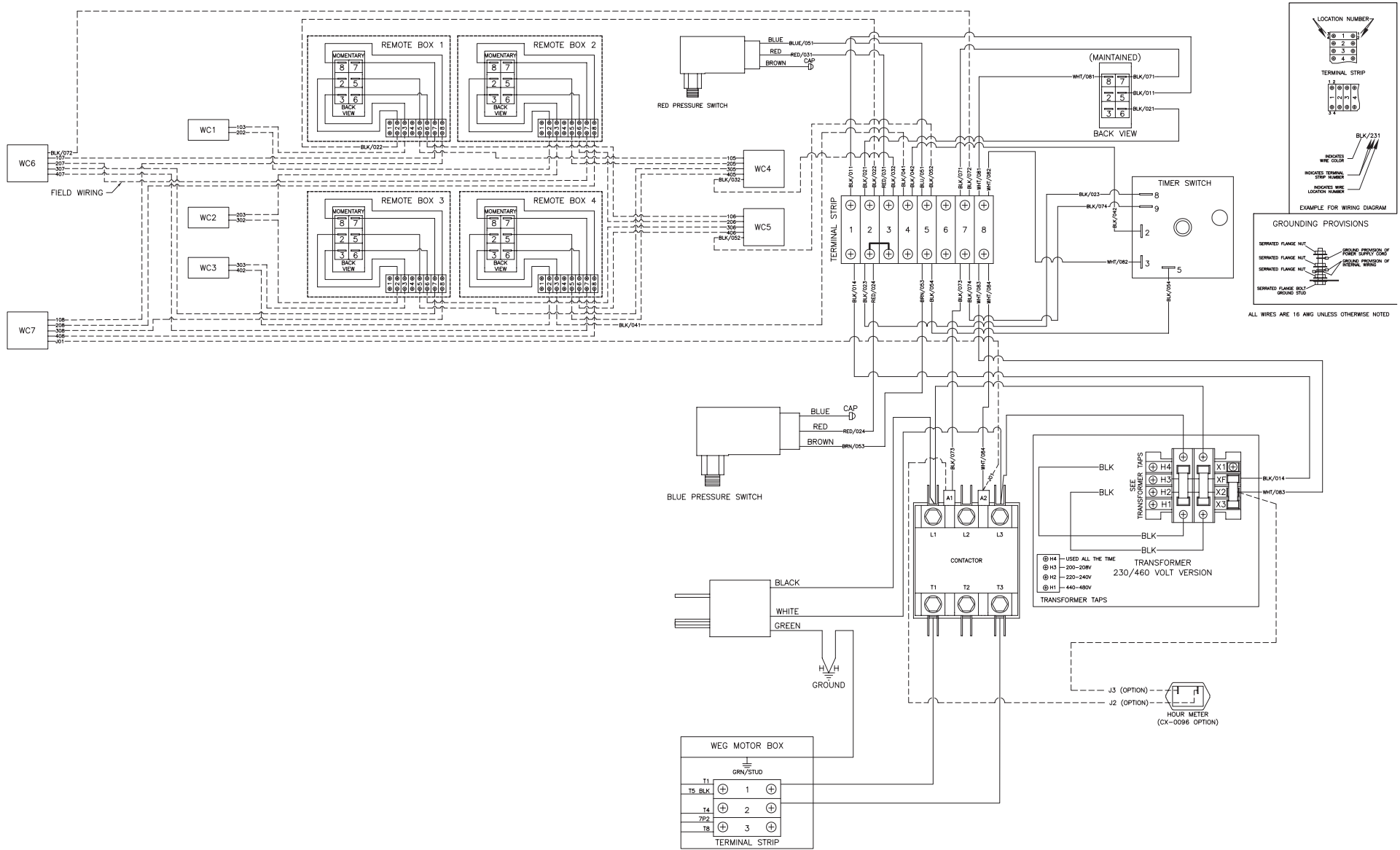
WD - CX-0078\_112 AUTO SS, RB CAW 6\_8HP 3PH (CX-0096\_110\_111) 022122

# WIRING SCHEMATIC SINGLE PHASE - AUTO START/STOP, MULTI REMOTE BOX (AFTER SERIAL #11351284)



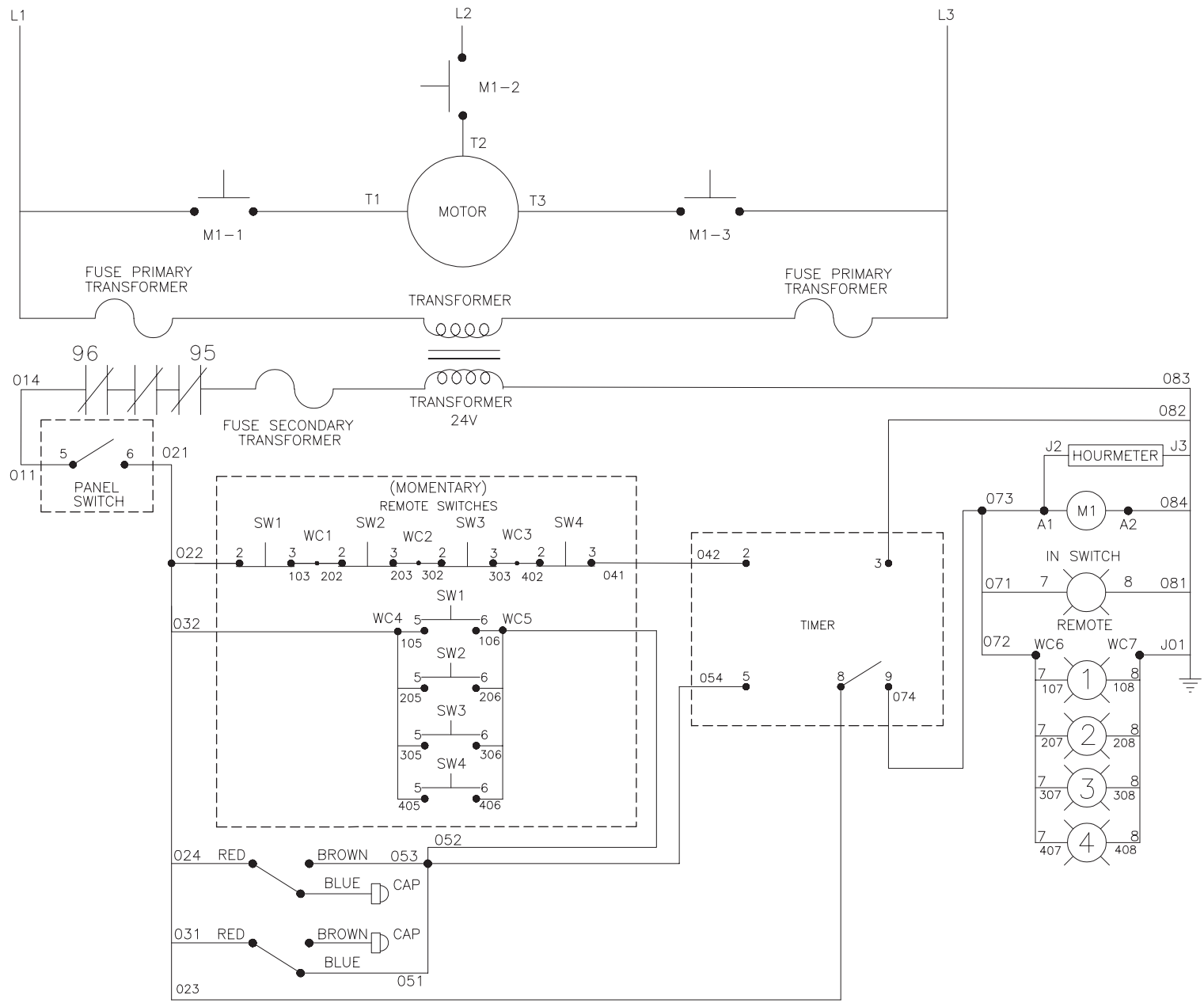
WS - CX-0078\_109\_112 AUTO SS, MULTI RB CAW 6\_8HP 1PH (CX-0096) 022822

# WIRING DIAGRAM SINGLE PHASE - AUTO START/STOP, MULTI REMOTE BOX (AFTER SERIAL #11351284)



WD - CX-0078\_109\_112 AUTO SS, MULTI RB CAW 6\_8HP 1PH (CX-0096) 022822

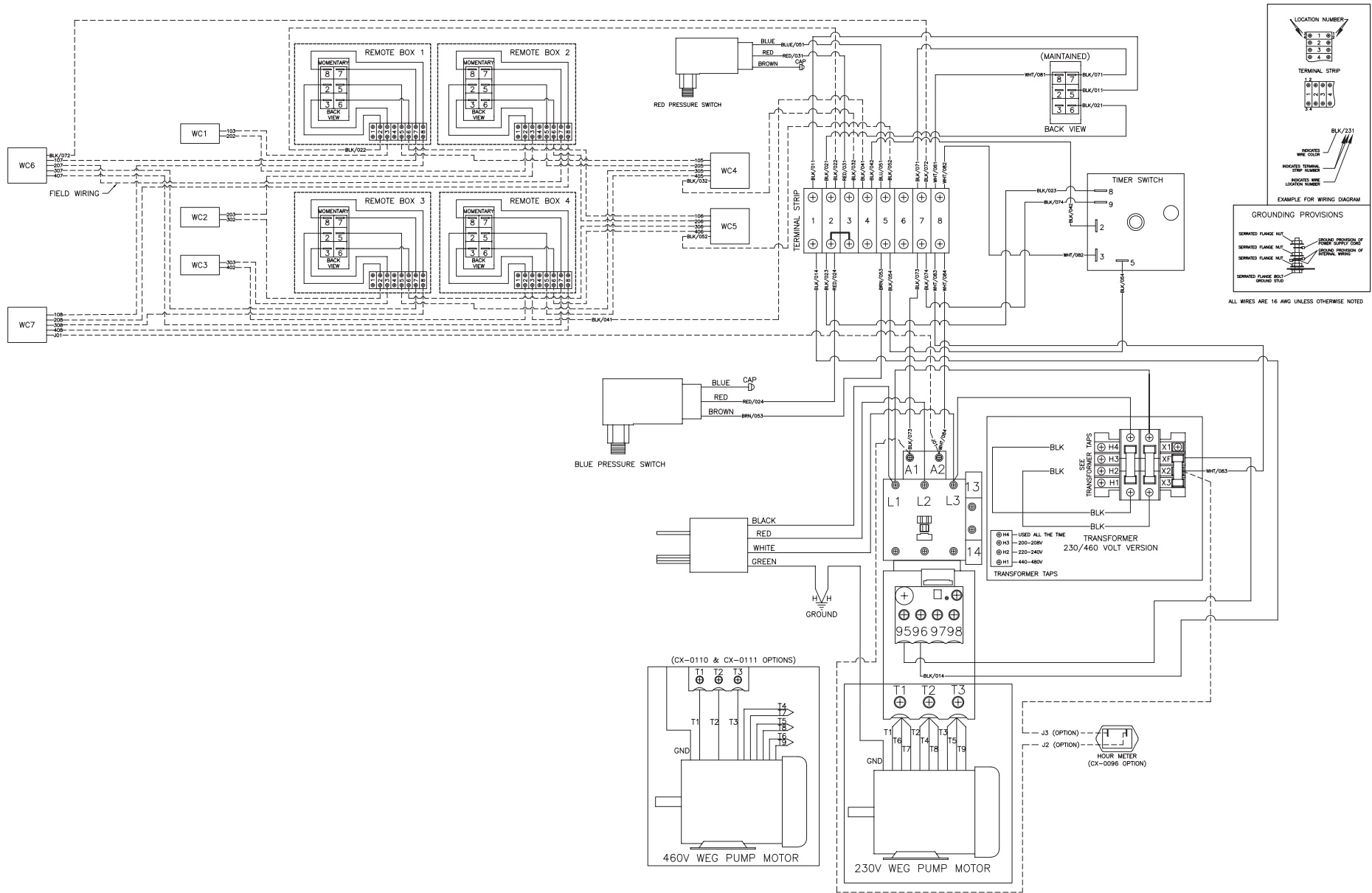
# WIRING SCHEMATIC THREE PHASE - AUTO START/STOP, MULTI REMOTE BOX (AFTER SERIAL #11346043)



WS - CX-0078\_109\_112 AUTO SS, MULTI RB CAW 6\_8HP 3PH (CX-0096\_110\_111) 022122



# WIRING DIAGRAM THREE PHASE - AUTO START/STOP, MULTI REMOTE BOX (AFTER SERIAL #11346043)



WD - CX-0078\_109\_112 AUTO SS, MULTI RB CAW 6\_8HP 3PH (CX-0096\_110\_111) 022122

