



KOHLER®

Command PRO®

| Gasoline Engines

3.3 – 10.5 kW | 4.5 – 14 hp

Discover the configurable solution
for all the equipment in your fleet.
Command PRO engines: the most factory options.

Built to *finish* every job it starts.

This is what it takes to be a PRO. Performance enhancing features like a heavy-duty air cleaner, forged-steel crankshaft, electronic ignition and cast-iron cylinder liner. KOHLER® Command PRO® is the standard for professional-grade power and performance.

Popular factory options

2:1 GEAR BOX (7 HP)

2:1 WITH CLUTCH GEAR BOX

6:1 GEAR BOX

HIGH-ALTITUDE KITS

12-VOLT STARTER

EXHAUST DEFLECTOR

3-, 10- OR 18- (9.5- AND
14-HP) AMP CHARGING

CRANKSHAFT/PTO VARIATIONS

NO LOAD IDLE SOLENOID
FOR FUEL ECONOMY

REMOTE THROTTLE

CARBURETOR SHUTDOWN
SOLENOID

BALANCE SHAFT 9.5 HP

IN-LINE FUEL FILTER

EMC AND CANADIAN
RFI STANDARDS

EU EMISSIONS AND
NOISE COMPLIANCE

EPA PHASE III COMPLIANCE

EXHAUST DEFLECTOR

LOW-PROFILE AIR CLEANER

LOW-PROFILE MUFFLER

EXTENDED OIL FILL

REMOTE THROTTLE

REMOTE CHOKE

ELECTRONIC GOVERNOR

PULSE PUMP

PURGE PORT FOR QUAD-CLEAN
AIR CLEANER

TRI-FUEL CAPABLE



DEPENDABLE OPERATION

BUILT TO LAST



LONGER RUNTIMES

EASIER REPOWERING

COMPATIBLE WITH ALL
KINDS OF MACHINES



ALL-WEATHER
PERFORMANCE

Command PRO®

Standard features

QUAD-CLEAN™ HEAVY-DUTY
CYCLONIC AIR CLEANER

BUILT-IN WARM-AIR SYSTEM
FOR WINTER OPERATION

OHV SLANT CYLINDER

CAST-IRON CYLINDER LINER

LARGE CAPACITY METAL FUEL
TANK

THREE FUEL FILTERS: FILL
NECK, IN-TANK
AND CARBURETOR INLET

ELECTRONIC IGNITION

LARGE-CAPACITY MUFFLER
WITH HEAT SHIELD AND SPARK
ARRESTOR

CARB TIER 3 CERTIFIED

INCREASED DISPLACEMENT

BALANCE SHAFT (14 HP)

DUAL BALL BEARINGS

STEEL-FORGED-AND-HARDENED
CRANKSHAFT

DUAL OIL FILLS AND DRAINS

AUTOMATIC LOW OIL ENGINE
SHUTDOWN SYSTEM

STELLITE®-FACED
EXHAUST VALVE

CARBON CANISTER
FUEL CAP

WATER TRAP TO SEPARATE
MOISTURE IN FUEL

SWIRL-INDUCTION
COMBUSTION CHAMBER

EASY-ACCESS THROTTLE,
CHOKE AND FUEL SHUTOFF

AUTOMATIC COMPRESSION
RELEASE

MECHANICAL GOVERNOR

SOUND-DEADENING
ALLOY CRANKCASE

CARBURETOR BOWL DRAIN

HIGH-INERTIA FLYWHEEL

SILENCED AIR INTAKE

INDEXABLE EASY-PULL™
RECOIL STARTER

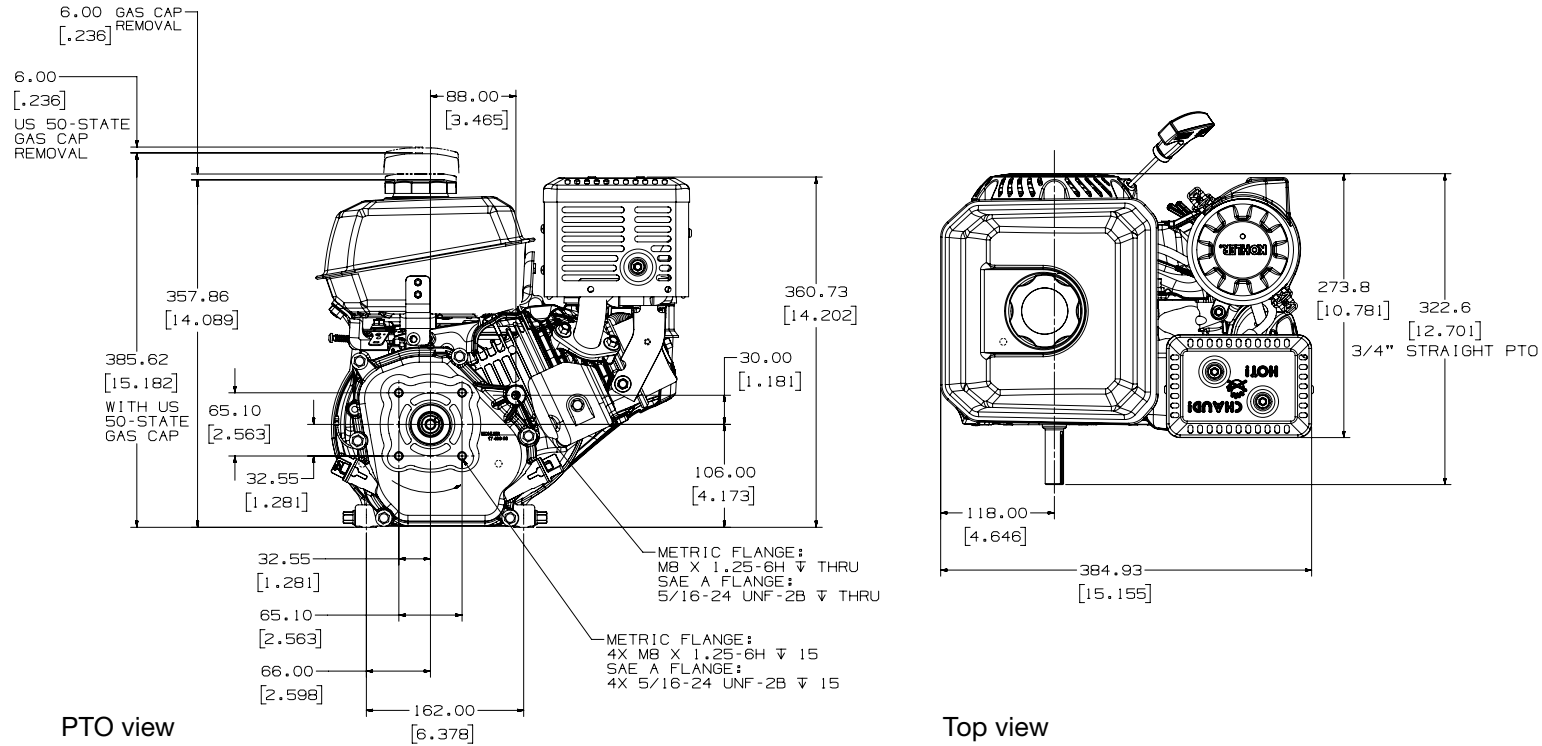
FUEL SECURE™ AUTO
FUEL SHUTOFF
(BASIC RECOIL SPECS ONLY)

3-YEAR COMMERCIAL LIMITED
WARRANTY



Command PRO®

4.5–5.5 HP Horizontal-Shaft Engines



PTO view

Top view

MODEL	CH245	CH255
POWER @ 3600 rpm Max. hp (kW)	4.5 (3.3)	5.5 (4.0)
DISPLACEMENT cu in (cc)	10.8 (177)	
BORE in (mm)	2.7 (68)	
STROKE in (mm)	1.9 (49)	
PEAK TORQUE @ rpm ft-lb (Nm)	7.2 (9.8) @ 2800	8.3 (11.2) @ 2800
COMPRESSION RATIO	8:5:1	
DRY WEIGHT lb (kg)	33.2 (15)	
OIL CAPACITY U.S. qt (L)	0.6 (0.6)	
LUBRICATION	SPLASH	
DIMENSIONS* L x W x H in (mm)	10.28 x 15.16 x 15.18 (261 x 385 x 386)	

Four-cycle, single-cylinder, overhead valve, air-cooled, gasoline, horizontal shaft, aluminum head and crankcase with cast-iron cylinder liner.

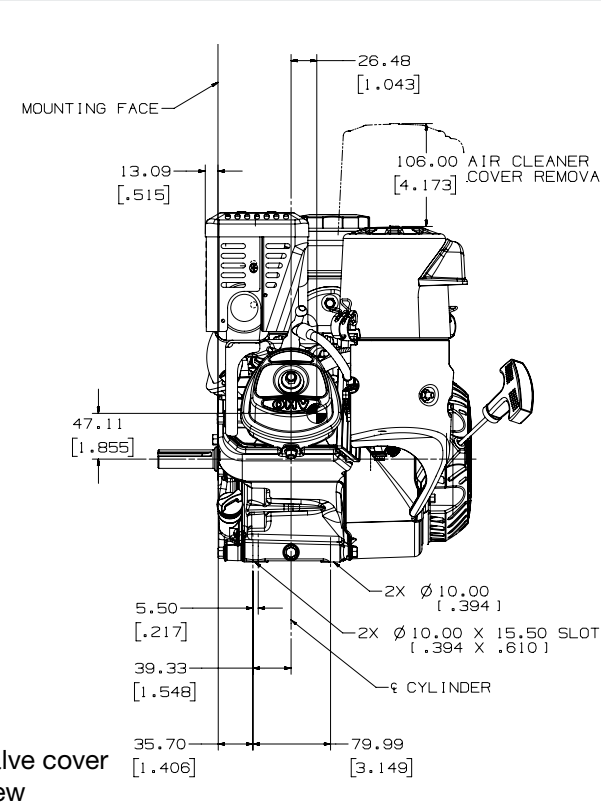
*Horsepower ratings exceed Society of Automotive Engineers Small Engine Test Code J1940. Actual engine horsepower is lower and affected by, but not limited to, accessories (air cleaner, exhaust, charging, cooling, fuel pump, etc.), application, engine speed and ambient operating conditions (temperature, humidity and altitude). For more information, contact Kohler Co. Engine Engineering. Kohler reserves the right to change product specifications, designs and equipment without notice and without incurring obligation.

*Length is recoil starter to PTO mounting face. Height is with the USA 50 state evap fuel cap.

*Length is PTO mounting face to recoil cover. Width is fuel tank to muffler. Height is from mounting surface to top of fuel cap.

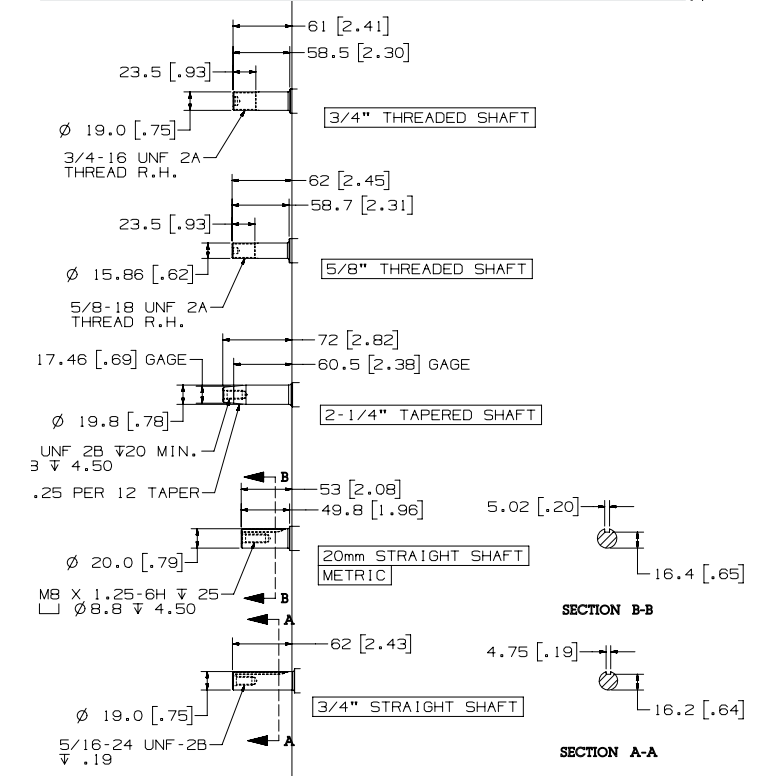
Data

Dimensions (mm)

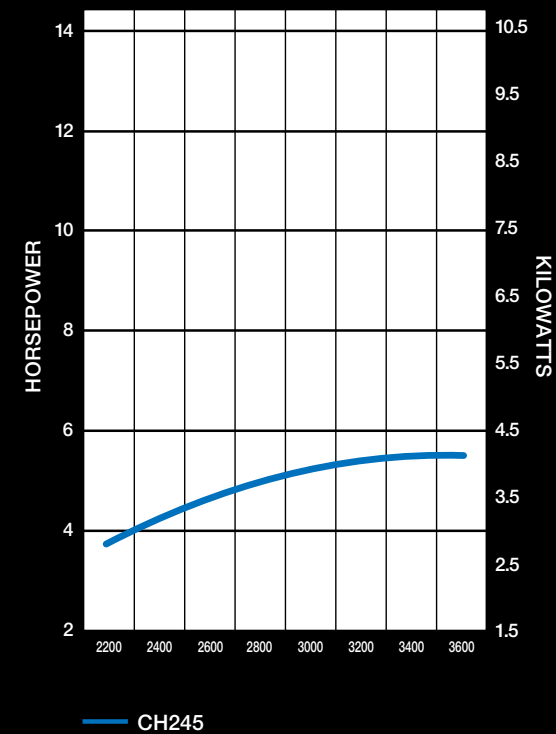


Valve cover view

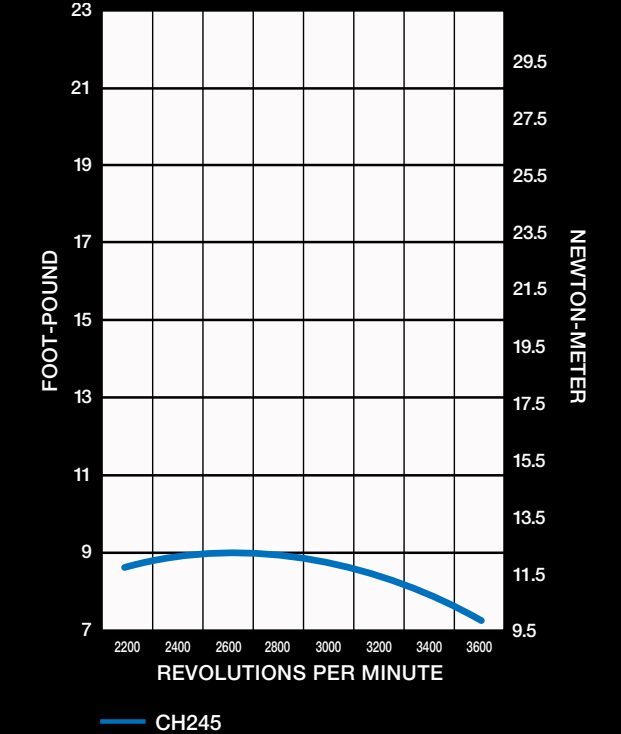
Shaft variations



Maximum power

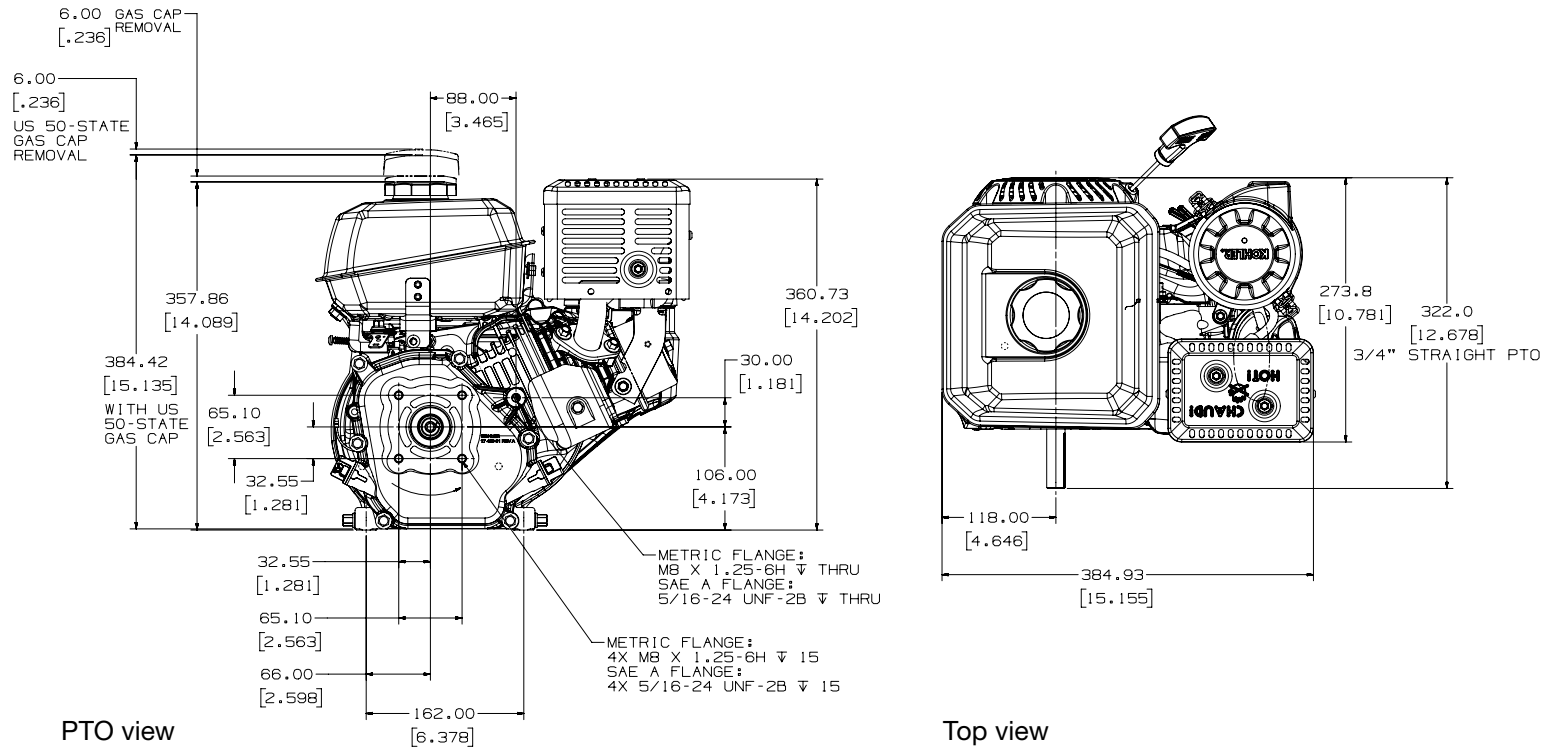


Maximum torque



Command PRO®

6-HP Horizontal Shaft Engines



PTO view

Top view

MODEL	CH260
POWER @ 3600 rpm* Max. hp (kW)	6 (4.5) @ 4000
DISPLACEMENT cu in (cc)	12.7 (208)
BORE in (mm)	2.8 (70)
STROKE in (mm)	2.1 (54)
PEAK TORQUE @ rpm ft-lb (Nm)	10.4 (14.1) @ 3000
COMPRESSION RATIO	8.8:1
DRY WEIGHT lb (kg)	38.7 (17.5)
OIL CAPACITY U.S. qt (L)	0.6 (0.6)
LUBRICATION	SPLASH
DIMENSIONS L x W x H in (mm)	10.3 X 15.2 X 15.1 (260 X 385 X 384)

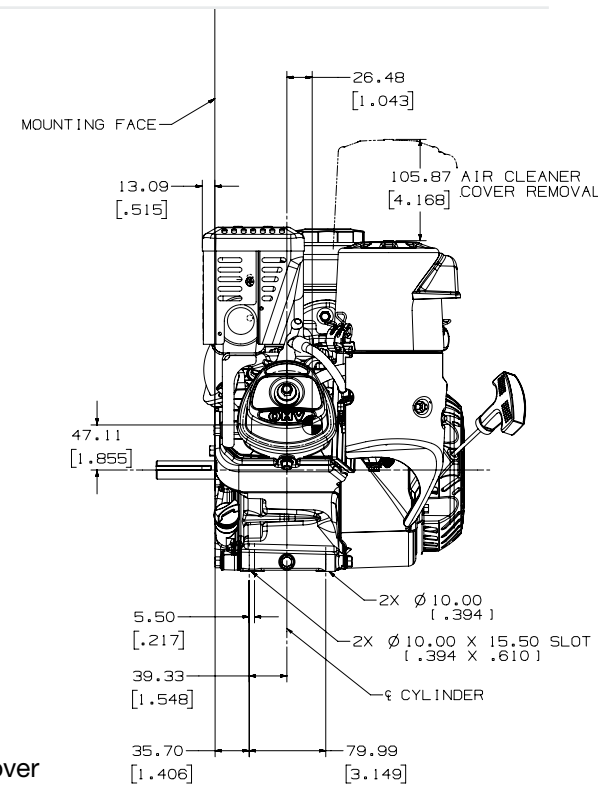
Four-cycle, single-cylinder, overhead valve, air-cooled, gasoline, horizontal shaft, aluminum head and crankcase with cast-iron cylinder liner.

*Horsepower ratings exceed Society of Automotive Engineers Small Engine Test Code J1940. Actual engine horsepower is lower and affected by, but not limited to, accessories (air cleaner, exhaust, charging, cooling, fuel pump, etc.), application, engine speed and ambient operating conditions (temperature, humidity and altitude). For more information, contact Kohler Co. Engine Engineering. Kohler reserves the right to change product specifications, designs and equipment without notice and without incurring obligation.

*Length is recoil starter to PTO mounting face. Height is with the USA 50 state evap fuel cap.

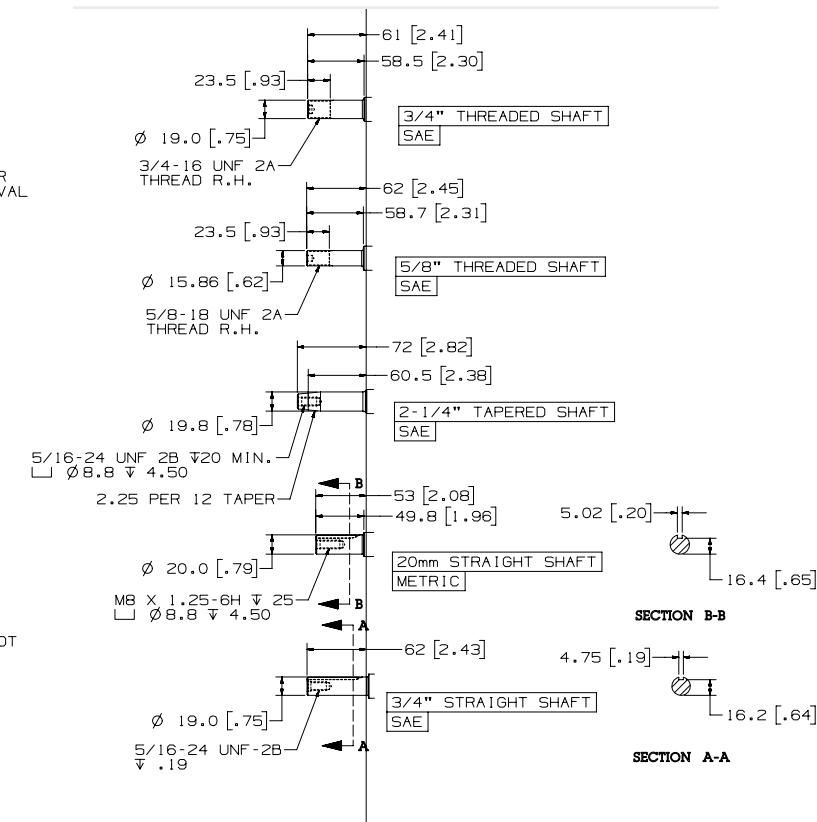
*Length is PTO mounting face to recoil cover. Width is fuel tank to muffler. Height is from mounting surface to top of fuel cap.

Dimensions (mm)

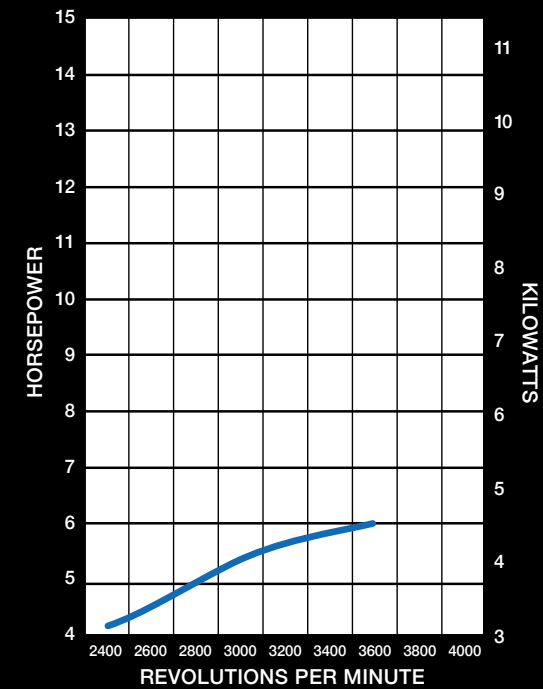


Valve cover view

Shaft variations

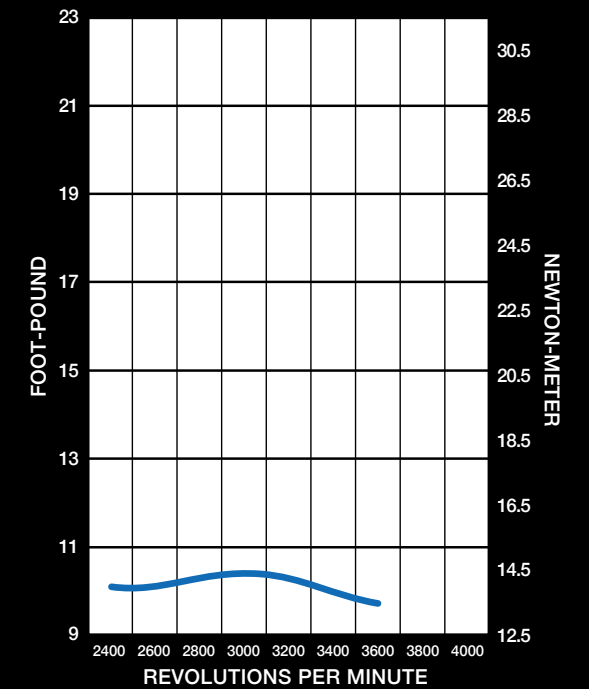


Maximum power



CH260

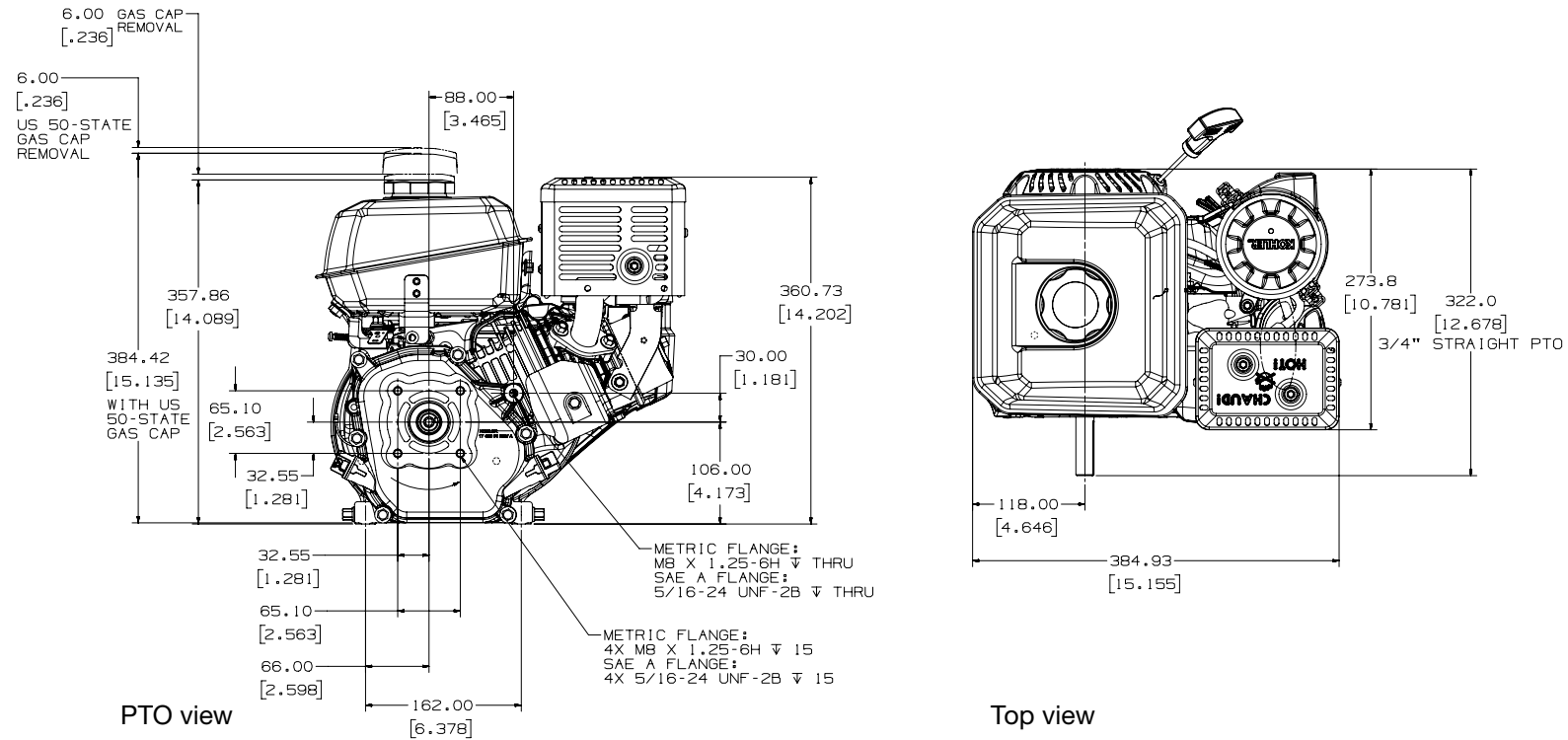
Maximum torque



CH260

Command PRO®

7-HP Horizontal Shaft Engines



MODEL	CH270
POWER @ 3600 rpm* Max. hp (kW)	7 (5.2) @ 4000
DISPLACEMENT cu in (cc)	12.7 (208)
BORE in (mm)	2.8 (70)
STROKE in (mm)	2.1 (54)
PEAK TORQUE @ rpm ft-lb (Nm)	10.5 (14.2) @ 3000
COMPRESSION RATIO	8.8:1
DRY WEIGHT lb (kg)	38.7 (17.5)
OIL CAPACITY U.S. qt (L)	0.6 (0.6)
LUBRICATION	SPLASH
DIMENSIONS L x W x H in (mm)	10.3 X 15.2 X 15.1 (260 X 385 X 384)

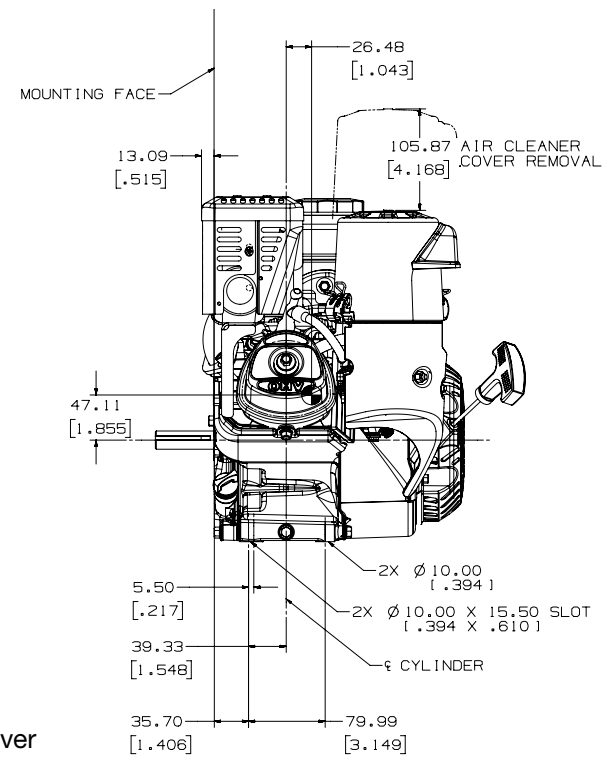
Four-cycle, single-cylinder, overhead valve, air-cooled, gasoline, horizontal shaft, aluminum head and crankcase with cast-iron cylinder liner.

*Horsepower ratings exceed Society of Automotive Engineers Small Engine Test Code J1940. Actual engine horsepower is lower and affected by, but not limited to, accessories (air cleaner, exhaust, charging, cooling, fuel pump, etc.), application, engine speed and ambient operating conditions (temperature, humidity and altitude). For more information, contact Kohler Co. Engine Engineering. Kohler reserves the right to change product specifications, designs and equipment without notice and without incurring obligation.

*Length is recoil starter to PTO mounting face. Height is with the USA 50 state evap fuel cap.

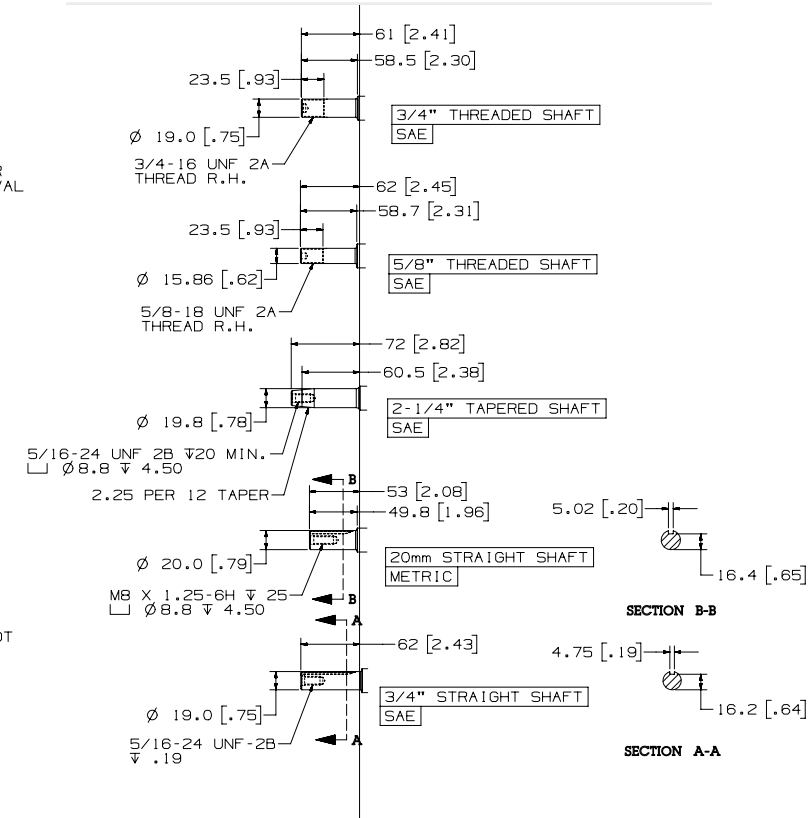
*Length is PTO mounting face to recoil cover. Width is fuel tank to muffler. Height is from mounting surface to top of fuel cap.

Dimensions (mm)

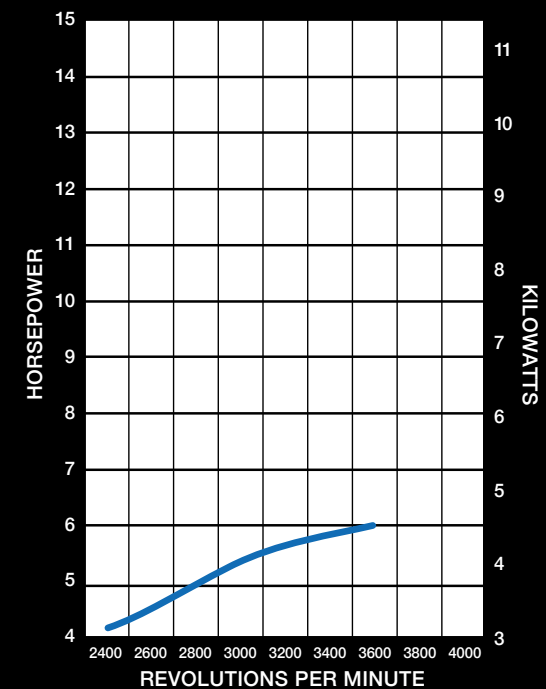


Valve cover view

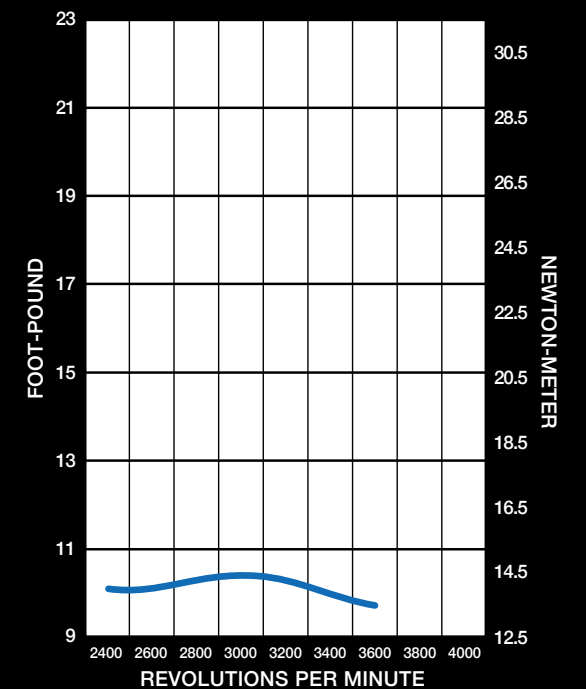
Shaft variations



Maximum power

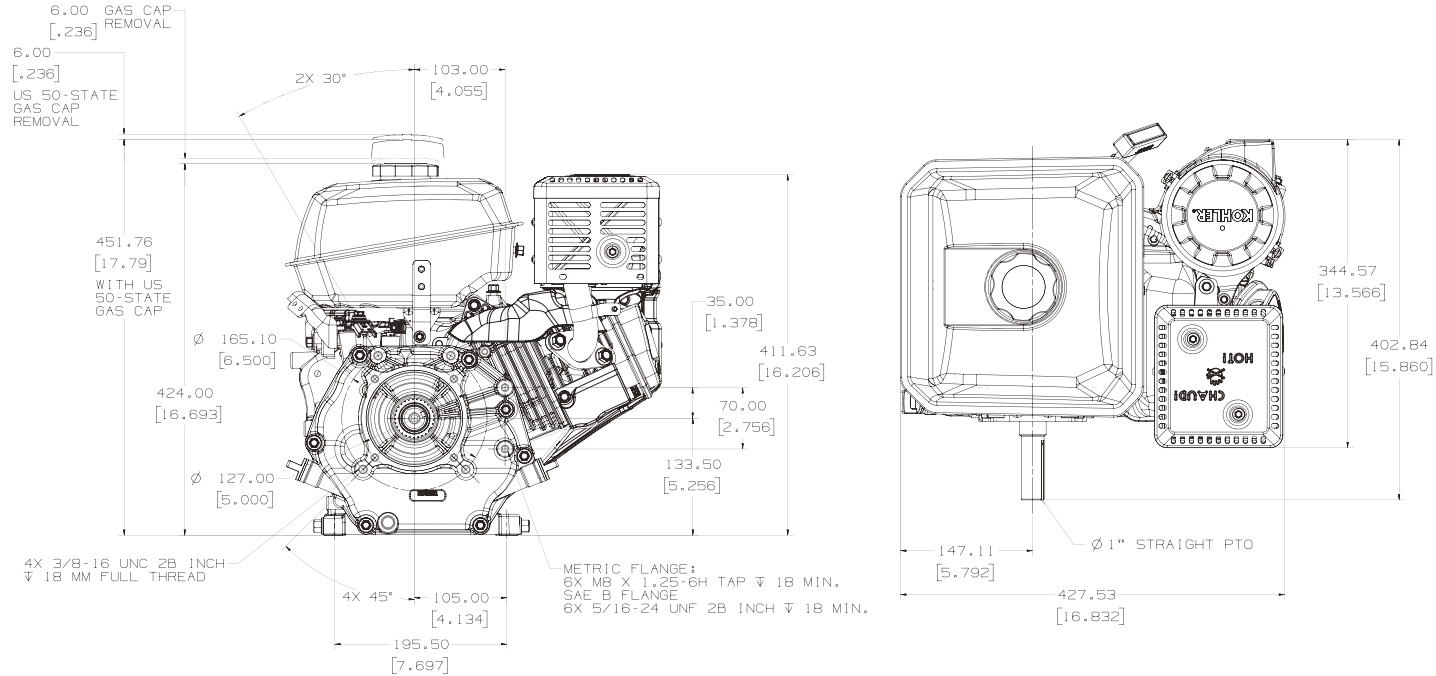


Maximum torque



Command PRO®

9.5-HP Horizontal Shaft Engines

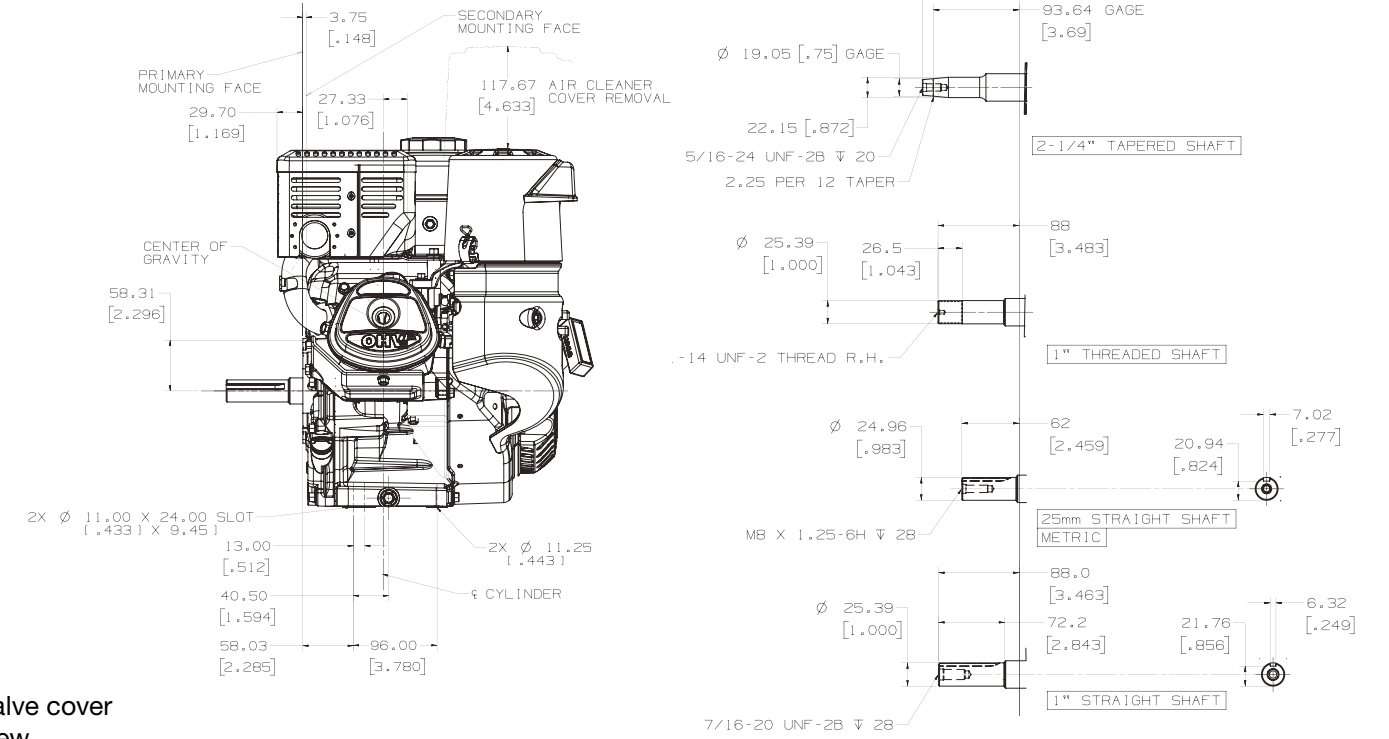


PTO view

Top view

Dimensions (mm)

Shaft variations



Valve cover view

MODEL	CH395
POWER @ 3600 rpm* Max. hp (kW)	9.5 (7.1) @ 4000
DISPLACEMENT cu in (cc)	16.9 (277)
BORE in (mm)	3.1 (78)
STROKE in (mm)	2.3 (58)
PEAK TORQUE @ rpm ft-lb (Nm)	13.9 (18.8) @ 2800
COMPRESSION RATIO	8.8:1
DRY WEIGHT lb (kg)	61.5 (27.9)
OIL CAPACITY U.S. qt (L)	1.4 (1.3)
LUBRICATION	SPLASH
DIMENSIONS L x W x H in (mm)	12.4 X 17.8 X 16.8 (315 X 452 X 428)

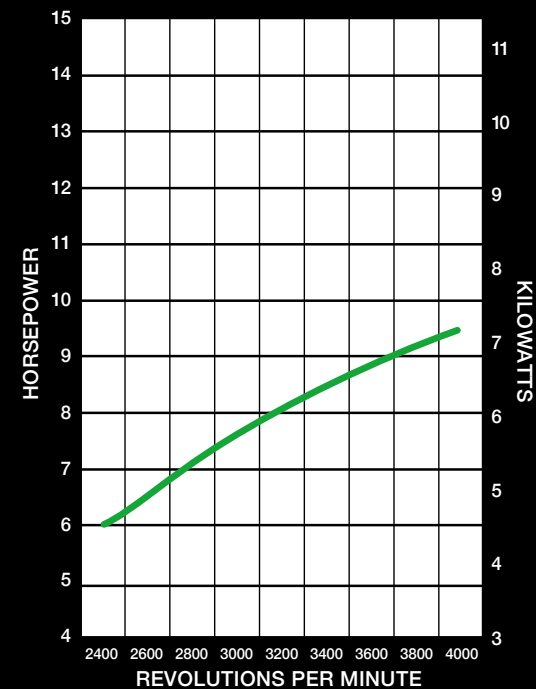
Four-cycle, single-cylinder, overhead valve, air-cooled, gasoline, horizontal shaft, aluminum head and crankcase with cast-iron cylinder liner.

*Horsepower ratings exceed Society of Automotive Engineers Small Engine Test Code J1940. Actual engine horsepower is lower and affected by, but not limited to, accessories (air cleaner, exhaust, charging, cooling, fuel pump, etc.), application, engine speed and ambient operating conditions (temperature, humidity and altitude). For more information, contact Kohler Co. Engine Engineering. Kohler reserves the right to change product specifications, designs and equipment without notice and without incurring obligation.

*Length is recoil starter to PTO mounting face. Height is with the USA 50 state evap fuel cap.

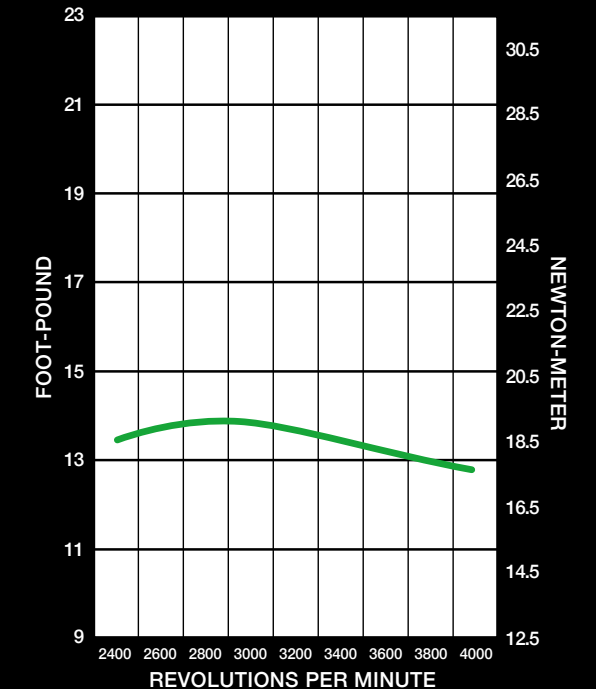
*Length is PTO mounting face to recoil cover. Width is fuel tank to muffler. Height is from mounting surface to top of fuel cap.

Maximum power



CH395

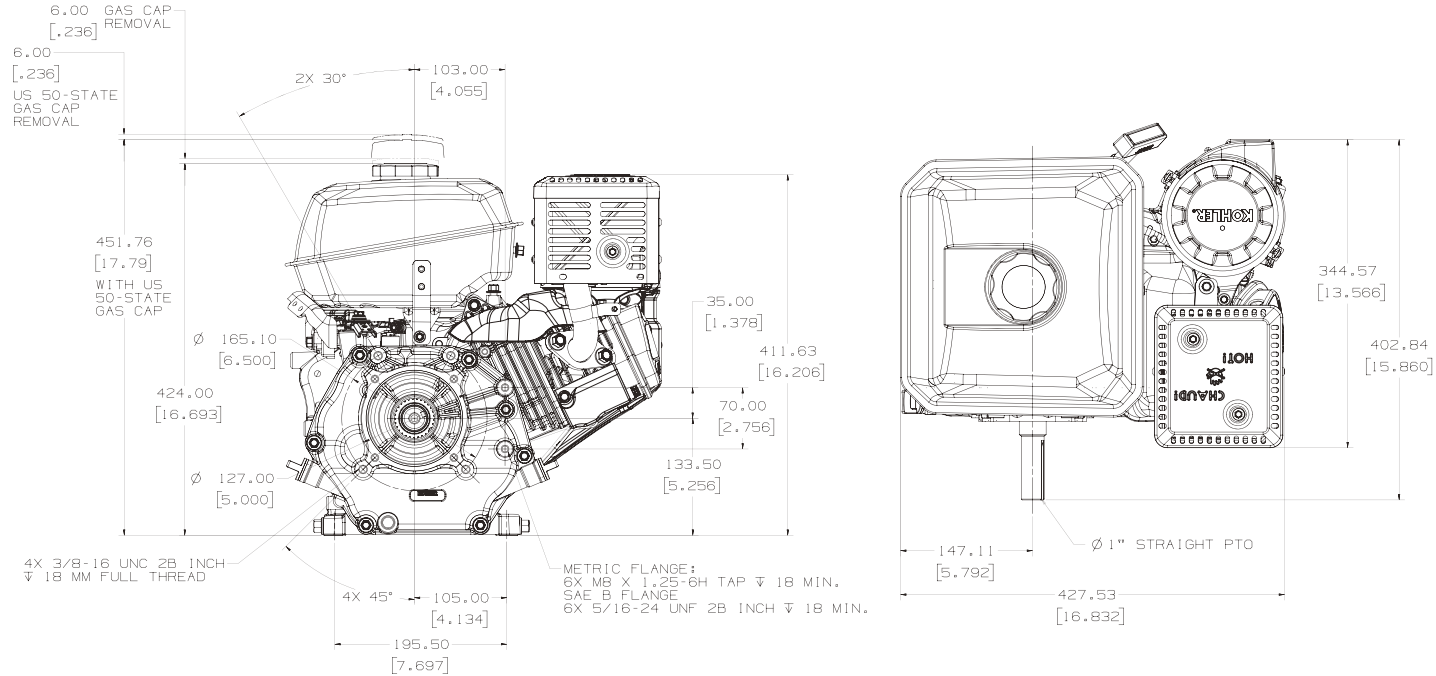
Maximum torque



CH395

Command PRO®

9.5-HP Horizontal Shaft Engines

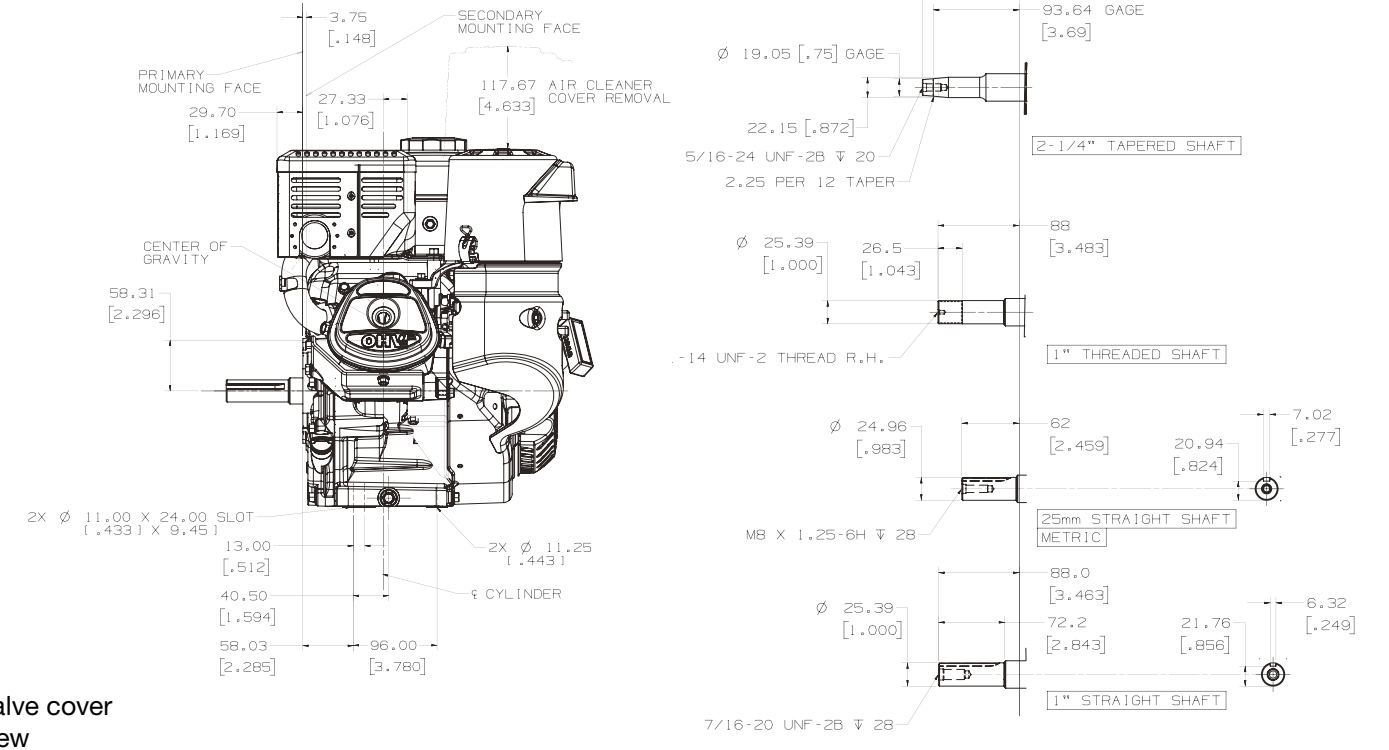


PTO view

Top view

Dimensions (mm)

Shaft variations



Valve cover view

MODEL	CH440
POWER @ 3600 rpm* Max. hp (kW)	14 (10.5) @ 3600
DISPLACEMENT cu in (cc)	24.7 (429)
BORE in (mm)	3.5 (89)
STROKE in (mm)	2.7 (69)
PEAK TORQUE @ rpm ft-lb (Nm)	22.7 (30.8) @ 2800
COMPRESSION RATIO	8.3:1
DRY WEIGHT lb (kg)	72.8 (33.0)
OIL CAPACITY U.S. qt (L)	1.4 (1.3)
LUBRICATION	SPLASH
DIMENSIONS† L×W×H in (mm)	12.7 x 17.8 x 18.4 (324 x 452 x 467)

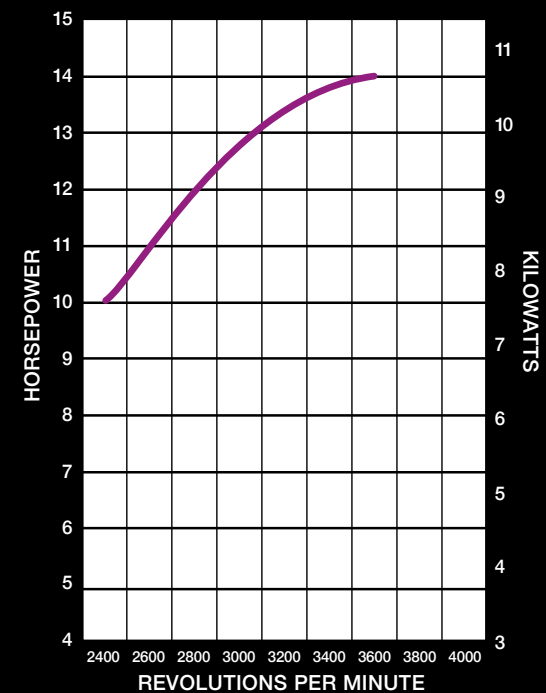
Four-cycle, single-cylinder, overhead valve, air-cooled, gasoline, horizontal shaft, aluminum head and crankcase with cast-iron cylinder liner.

*Horsepower ratings exceed Society of Automotive Engineers Small Engine Test Code J1940. Actual engine horsepower is lower and affected by, but not limited to, accessories (air cleaner, exhaust, charging, cooling, fuel pump, etc.), application, engine speed and ambient operating conditions (temperature, humidity and altitude). For more information, contact Kohler Co. Engine Engineering. Kohler reserves the right to change product specifications, designs and equipment without notice and without incurring obligation.

†Length is recoil starter to PTO mounting face. Height is with the USA 50 state evap fuel cap.

†Length is PTO mounting face to recoil cover. Width is fuel tank to muffler. Height is from mounting surface to top of fuel cap.

Maximum power



CH440

Maximum torque



CH440

For more information, contact your KOHLER source of supply.
Kohler Co. reserves the right to make modifications without prior notice.

KOHLER®

kohlerengines.com

Printed in Italy ED0035585800 Rev.01 06/23 Eng KOHLER CO.