

EHC

Commercial, Wall-Mounted,
Electric Heater

Cut down on cold drafts

Model EHC heater provides a burst of heat in areas affected by cold drafts. Designed for residential, commercial and industrial use, the unit can be recessed or surface-mounted.

Powered by a closed factory-lubricated motor, the fan blows warm air downward to create air circulation.



Recessed-Mounted



garage

apartment building

commercial building

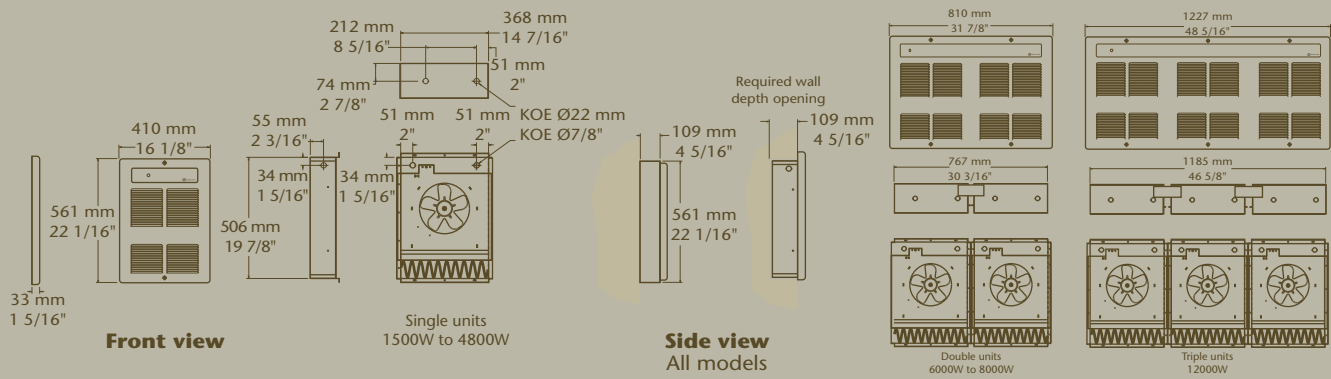
entrance way

stairwell



Features

- | | |
|------------------------|---|
| Color | <ul style="list-style-type: none">- Standard: white.- Optional: almond.- Custom colors available upon request. |
| Finish | <ul style="list-style-type: none">- Standard: epoxy/polyester powder paint. |
| Voltage | <ul style="list-style-type: none">- 208V, 240V/208V, 277V, 347V, 480V, 600V, 1 or 3-phase. |
| Construction | <ul style="list-style-type: none">- 18-gauge steel front cover.- Bottom air outlet.- High-limit temperature control with automatic reset. |
| Fan | <ul style="list-style-type: none">- Closed, factory-lubricated motor.- 160 cfm fan (1.5 to 4.8 kW; 55 dBA); 2 X 160 cfm fan (6 to 8 kW; 58 dBA); 3 X 160 cfm fan (12 kW; 61 dBA).- Fan delay purges heater of residual heat.- (Any remote thermostat or relay must be connected to the heater control terminal block.) |
| Heating element | <ul style="list-style-type: none">- Durable tubular heating element with fins. |
| Control | <ul style="list-style-type: none">- Built-in thermostat with control knob or tamper-proof adjustable with a screwdriver included. |
| Installation | <ul style="list-style-type: none">- Adaptor for surface mounting available.- Minimum clearance from the floor and adjacent walls: 10 in. (25.4 cm). |
| Warranty | <ul style="list-style-type: none">- 1-year warranty against defects. |



Commercial Wall Heater		Size	1	2	3	4	5	6	8	12
EHC	Heater	kW ^Y	1.5	2	3	4	4.8	6	8	12
Shipping Weight (lbs)			24	24	24	24	24	50	50	90

Factory Installed Options

Size			1	2	3	4	5	6	8	12
Supply Voltage/Phase	120/1	AK1E	✓	■	■	■	■	■	■	■
	208/1	AK2	■	✓	■	✓	✓	■	✓	■
	208/3	AK5	■	■	■	■	■	■	■	✓
	240/1 ^Y	AK3E	✓	✓	✓	✓	✓	✓	✓	✓
	240/3 ^Y	AK6E	■	■	■	■	■	■	■	✓
	347/1	AK34	✓	✓	✓	✓	✓	✓	✓	✓
	277/1	AK4	✓	✓	✓	✓	✓	✓	✓	✓
	480/1	AK9E	✓	✓	✓	✓	✓	✓	✓	✓
	480/3	AK7E	■	■	■	■	■	■	■	✓
	600/1	AK10	✓	✓	✓	✓	✓	✓	✓	✓
600/3	AK8E	■	■	■	■	■	■	■	✓	
Cabinet Color	White (STD)	HK1	■	■	■	■	■	■	■	✓
	Almond	HK2	✓	✓	✓	✓	✓	✓	✓	✓
Thermostat	Built-in thermostat Combination with knob or tamperproof (hidden)	STD	✓	✓	✓	✓	✓	✓	✓	✓
Control Voltage	208V, 240V ^S	STD	✓	✓	✓	✓	✓	✓	✓	✓
Unit Mounted Fan Switch		BF23	✓	✓	✓	✓	✓	✓	✓	✓
Disconnect Switch	Up to 277V, 2-pole, 20A	BA21	✓	✓	✓	✓	✓	✓	✓	✓
	600V, 3-pole, 40A	BA14	✓	✓	✓	✓	✓	✓	✓	✓
	600V, 3-pole, 80A	BA15	✓	✓	✓	✓	✓	✓	✓	✓

^S 208V/240V control (& fan motor) is standard on all units.

^Y Units with option AK3E and AK6E (240V supply voltage) can be connected to 208V power supply, but kW output will be reduced to amounts shown in table below.

Size	1	2	3	4	5	6	8	12
kW at 208V	1.125	1.5	2.25	3	3.6	4.5	6	9

Field Installed Options (Shipped Separately)

Size			1	2	3	4	5	6	8	12
Color Matched Trim Packages	Surface mounting box Req'd for non-recessed units	HY6	✓	✓	✓	✓	✓	✓	✓	✓
	1" recessed trim kit	HY4A	✓	✓	✓	✓	✓	✓	✓	✓
	2" recessed trim kit	HY4B	✓	✓	✓	✓	✓	✓	✓	✓