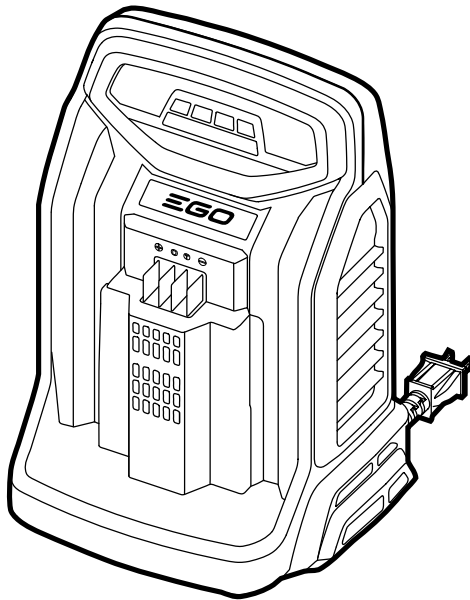


EGO™

POWER  CHARGER



OPERATOR'S MANUAL

56-VOLT RAPID CHARGER

MODEL NUMBER CH5500/CH5500-FC

Français p. 21

Español p. 41

⚠ WARNING: To reduce the risk of injury, the user must read and understand the Operator's Manual before using this product. Save these instructions for future reference.

TABLE OF CONTENTS

FCC Statement	4
Safety Symbols	5
Safety Instructions	6-11
Introduction	12
Specifications	12
Description	13
Operation	14-16
Maintenance	17
Troubleshooting	18
Warranty	19-20

READ ALL INSTRUCTIONS!



READ & UNDERSTAND
INSTRUCTION MANUAL

This battery charger has many features for making its use more pleasant and enjoyable. Safety, performance, and dependability have been given top priority in the design of this product making it easy to maintain and operate.

⚠ WARNING: Some dust created by power sanding, sawing, grinding, drilling and other construction activities contains chemicals known to the state of California to cause cancer, birth defects or other reproductive harm. Some examples of these chemicals are:

- Lead from lead-based paints,
- Crystalline silica from bricks and cement and other masonry products, and
- Arsenic and chromium from chemically-treated lumber.

Your risk from these exposures varies, depending on how often you do this type of work. To reduce your exposure to these chemical: work in a well ventilated area, and work with approved safety equipment, such as those dust masks that are specially designed to filter out microscopic particles.

FCC STATEMENT

1. This device complies with Part 15 of the FCC Rules. Operation is subject to the following two conditions:
 - 1) This device may not cause harmful interference.
 - 2) This device must accept any interference received, including interference that may cause undesired operation.
2. Changes or modifications not expressly approved by the party responsible for compliance could void the user's authority to operate the equipment.

NOTICE: This equipment has been tested and found to comply with the limits for a Class B digital device, pursuant to Part 15 of the FCC Rules. These limits are designed to provide reasonable protection against harmful interference in a residential installation. This equipment generates, uses, and can radiate radio frequency energy and, if not installed and used in accordance with the instructions, may cause harmful interference to radio communications. However, there is no guarantee that interference will not occur in a particular installation. If this equipment does cause harmful interference to radio or television reception, which can be determined by turning the equipment off and on, the user is encouraged to try to correct the interference by one or more of the following measures: Reorient or relocate the receiving antenna. Increase the separation between the equipment and receiver. Connect the equipment into an outlet on a circuit different from that to which the receiver is connected. Consult the dealer or an experienced radio/TV technician for help.

SAFETY SYMBOLS

The purpose of safety symbols is to attract your attention to possible dangers. The safety symbols and the explanations with them deserve your careful attention and understanding. The symbol warnings do not, by themselves, eliminate any danger. The instructions and warnings they give are no substitutes for proper accident prevention measures.

⚠ WARNING: Be sure to read and understand all safety instructions in this Operator's Manual, including all safety alert symbols such as "**DANGER**," "**WARNING**," and "**CAUTION**" before using this tool. Failure to following all instructions listed below may result in electric shock, fire, and/or serious personal injury.



⚠ WARNING: The operation of any power tools can result in foreign objects being thrown into your eyes, which can result in severe eye damage. Before beginning power tool operation, always wear safety goggles or safety glasses with side shields and a full face shield when needed. We recommend a Wide Vision Safety Mask for use over eyeglasses or standard safety glasses with side shields. Always use eye protection which is marked to comply with ANSI Z87.1.

SAFETY INSTRUCTIONS

This page depicts and describes safety symbols that may appear on this product. Read, understand, and follow all instructions on the machine before attempting to assemble and operate.

V	Volt	Voltage
A	Amperes	Current
Hz	Hertz	Frequency (cycles per second)
W	Watt	Power
min	Minutes	Time
~	Alternating Current	Type of current
≡	Direct Current	Type or a characteristic of current
n_0	No Load Speed	Rotational speed, at no load

... /min	Per Minute	Revolutions per minute
	Class II Construction	Double-insulated construction
	Wet Conditions Alert	Do not expose to rain or use in damp locations.
	Read Operator's Manual	To reduce the risk of injury, user must read and understand operator's manual before using this product
	Eye Protection	Always wear safety goggles or safety glasses with side shields and a full face shield when operating this product.
	Safety Alert	Precautions that involve your safety.

⚠ WARNING: Read and understand all instructions. Failure to follow all instructions listed below may result in electric shock, fire and/or serious personal injury. The term “power tool” in all of warnings listed below refers to corded power tools or battery operated (cordless) power tools.

⚠ WARNING: To ensure safety and reliability, all repairs should be performed by a qualified service technician.

WORK AREA SAFETY

- **Keep the work area clean and well lit.** Cluttered or dark areas invite accidents.
- **Do not operate power tools in explosive environments, such as in the presence of flammable liquids, gases, or dust.** Power tools create sparks, which may ignite the dust or fumes.

ELECTRICAL SAFETY

- **Avoid body contact with grounded surfaces,** such as pipes, radiators, ranges, and refrigerators. There is an increased risk of electric shock if your body is grounded.
- **Power tool plugs must match the outlet.** Never modify the plug in any way. Do not use any adapter plugs with grounded power tools. Unmodified plugs and matching outlets will reduce the risk of electric shock.
- **Do not expose power tools to rain or wet conditions.** Water entering a power tool will increase the risk of electric shock.
- **Do not abuse the cord.** Never use the cord for carrying, pulling, or unplugging the power tool. Keep the cord away from heat, oil, sharp edges, or moving parts. Damaged or entangled cords increase the risk of electric shock.
- **When operating a power tool outdoors, use an extension cord suitable for outdoor use.** Use of a cord suitable for outdoor use reduces the risk of electric shock.
- Use charge the EGO lithium-ion battery packs list below:

CHARGER	BATTERY PACKS
CH5500/CH5500-FC 56V Rapid Charger	BA1120/BA1120-FC: 56V 2.0Ah Lithium-ion BA1400/BA1400-FC: 56V 2.5Ah Lithium-ion BA2240/BA2240-FC: 56V 4.0Ah Lithium-ion BA2800/BA2800-FC: 56V 5.0Ah Lithium-ion BA4200/BA4200-FC: 56V 7.5Ah Lithium-ion

SERVICE

- **Have your charger serviced by a qualified repair person using only identical replacement parts.** This will ensure that the safety of the charger is maintained.
- **When servicing a charger, use only identical replacement parts. Follow instructions in the Maintenance section of this manual.** Use of unauthorized parts or failure to follow Maintenance instructions may create a risk of shock or injury.

SAFETY RULES FOR CHARGER

⚠ CAUTION: To reduce the risk of electric shock or damage to the charger and battery, charge only those lithium-ion rechargeable batteries specifically designated on your charger's label. Other types of batteries may burst, causing personal injury or damage.

- **Before using the battery charger,** read all instructions and cautionary markings in this manual and on the battery charger, the battery and the product using the battery to prevent misuse of the products and possible injury or damage.
- **Do not use the charger outdoors or expose it to wet or damp conditions.** Water entering the charger will increase the risk of electric shock.
- **Do not handle charger, including the charger plug and charger terminals with wet hands.**
- **Use of an attachment not recommended or sold by the battery-charger manufacturer may result in a risk of fire, electric shock, or injury to persons.**
- **Recharge only with the charger specified by the manufacturer.** A charger that is suitable for one type of battery pack may create a risk of fire when used with another battery pack.
- **Do not abuse the cord or charger.** Never use the cord to carry the charger. Do not pull the charger cord to disconnect the plug from a receptacle. Damage to the cord or charger could occur and create an electric shock hazard. Replace damaged cords immediately.

- **Make sure that the cord is located so that it will not be stepped on, tripped over, come in contact with sharp edges or moving parts, or otherwise be subjected to damage or stress.** This will reduce the risk of accidental falls, which could cause injury and damage to the cord, which could then result in electric shock.
- **Keep the cord and charger from heat to prevent damage to housing or internal parts.**
- **Do not allow gasoline, oils, petroleum-based products, etc. to come in contact with plastic parts.** These materials contain chemicals that can damage, weaken, or destroy plastic.
- **Do not operate the charger with a damaged cord or plug, which could cause shorting and electric shock.** If damaged, have the charger repaired or replaced by an authorized service technician at an EGO Service Center.
- **Do not operate the charger if it has received a sharp blow, been dropped, or has otherwise been damaged in any way.** Take it to an authorized service technician for an electrical check to determine if the charger is in good working order.
- **Do not disassemble the charger.** Take it to an authorized service technician when service or repair is required. Incorrect reassembly may result in a risk of electric shock or fire.
- **Unplug the charger from the electrical outlet before attempting any maintenance or cleaning to reduce the risk of electric shock.**
- **Disconnect charger from the power supply when not in use.** This will reduce the risk of electric shock or damage to the charger if metal items should fall into the opening. It will also help prevent damage to the charger during a power surge.
- **Risk of electric shock.** Do not touch the uninsulated portion of output connector or uninsulated battery terminal.
- **Save these instructions.** Refer to them frequently and use them to instruct others who may use this tool. If you lend this tool to someone else, also lend these instructions to them to prevent misuse of the product and possible injury.

IMPORTANT SAFETY INSTRUCTIONS

- **Save these instructions.** This manual contains important safety and operating instructions for 56V Rapid Charger CH5500/CH5500-FC.
- **Before using the battery charger, read all instructions and cautionary markings on the battery charger, the battery and the product using battery.**

⚠ WARNING: When using electric appliances, basic precautions should always be followed, including the following.

- To reduce the risk of injury, close supervision is necessary when an appliance is used near children.
- Only use attachments recommended or sold by manufacturer.
- Do not use outdoors.
- For a portable appliance – To reduce the risk of electrical shock, do not put charger in water or other liquid. Do not place or store appliance where or can fall or be pulled into a tub or sink.

⚠ CAUTION: To reduce the risk of injury, charge only lithium-ion rechargeable batteries. Other types of batteries may burst, causing personal injury or damage



INTRODUCTION

Congratulations on your selection of a new generation of 56V Rapid charger. It has been designed, engineered and manufactured to give you the best possible dependability and performance.

Should you experience any problem you cannot easily remedy, please contact EGO customer service center 1-855-EGO-5656.

This manual contains important information on to the safe assembly, operation and maintainance of your Rapid charger. Read it carefully before using the charger. Keep this manual handy so you can refer to it at any time.

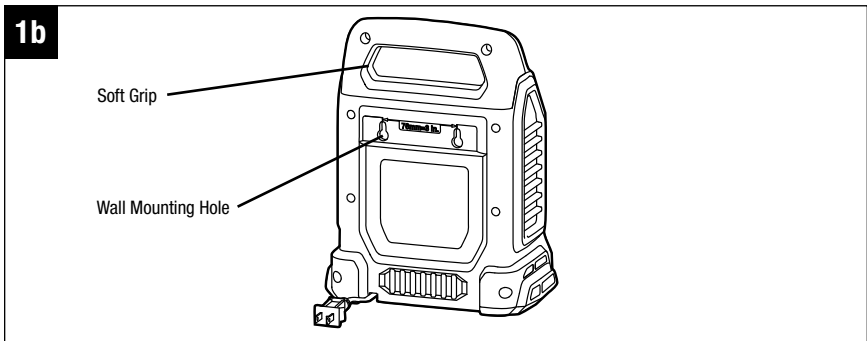
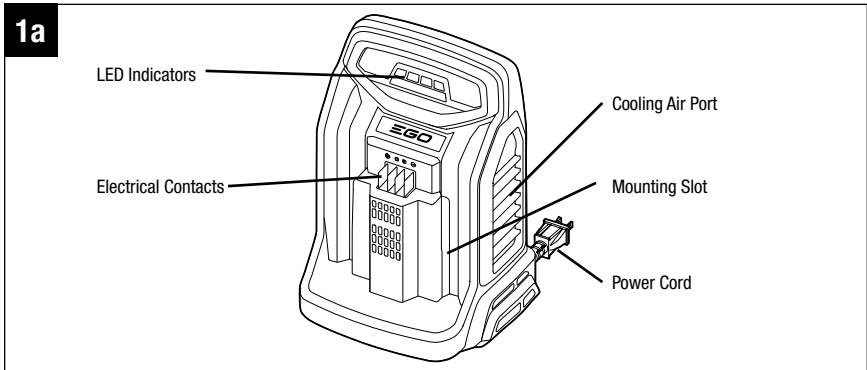
SERIAL NUMBER _____	DATE OF PURCHASE _____
YOU SHOULD RECORD BOTH SERIAL NUMBER AND DATE OF PURCHASE AND KEEP IN A SAFE PLACE FOR FUTURE REFERENCE	

SPECIFICATIONS

Charger Input	120V~60Hz, 550W
Charger Output	56V, max. 7500 mAh, Li-ion type rechargeable battery pack
Quick-Charge Time	Approximately 25 minutes for BA1120/BA1120-FC battery pack, 30 minutes for BA1400/BA1400-FC battery pack, 30 minutes for BA2240/BA2240-FC battery pack, 40 minutes for BA2800/BA2800-FC battery pack, 60 minutes for BA4200/BA4200-FC battery pack
Recommended Ambient Temperature for Charging	41°F-104°F (5°C-40°C)
Charger Weight	4.21 lb. (1.91 kg)

DESCRIPTION

KNOW YOUR CHARGER (Fig. 1a & 1b)



LED INDICATORS: indicate the charging status.

MOUNTING SLOT: guides the battery pack when it is installed on the charger.

WALL MOUNTING HOLE: for convenient storage on the wall.

⚠ WARNING: The safe use of this product requires an understanding of the information on the tool and in this operator's manual, as well as knowledge of the project you are attempting. Before use of this product, familiarize yourself with all its operating features and safety rules.

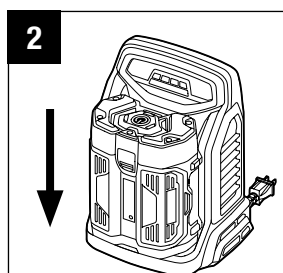
OPERATION

HOW TO CHARGE THE BATTERY PACK

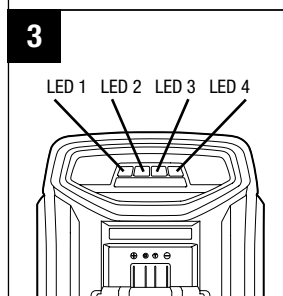
⚠ WARNING: Do not use the charger outdoors or expose it to wet or damp conditions. Water entering the charger will increase the risk of electric shock.

NOTICE: Lithium-Ion battery packs are shipped partially charged. Before using it the first time, fully charge the battery pack.

1. Connect the charger to the power supply (120V~, 60Hz). The four charging indication LEDs will briefly shine green, indicating that the charger is working correctly.
2. Align the raised ribs of the battery pack with the mounting slots in the charger; slide the battery pack down onto the charger (Fig. 2).
3. The charger will communicate with the battery pack to evaluate the condition of the battery pack.



4. When the battery pack is charging, the four charging indication LEDs on the charger will shine green in sequence, from left to right, to indicate the charge level; please refer to Fig. 3. The power indicator on the battery pack will flash in sequence: red, orange and green. The fan in the charger continuously works to cool the battery pack.



5. When the battery pack is fully charged, the charging indication LEDs stop alternating and will shine green continuously. The power indicator on the battery pack will go out. Wait until the cooling fan stops, remove the battery pack from the charger and disconnect the charger from the power supply.
6. The battery pack will fully charge if left on the charger, but it will not overcharge. If the battery pack remains on the charger for one month or more, it will perform self-maintenance and drop to 30% charge capacity. If this occurs, reinstall the battery pack on the charger to recharge it fully.

NOTICE:

- A significantly reduced run time after fully charging the battery pack indicates that the batteries are near the end of their usable life and must be replaced.
- The charger may warm during charging. This is part of the normal operation of the charger. Charge in a well-ventilated area.

LED FUNCTIONS OF CHARGER (Fig. 3)

LED INDICATOR	BATTERY PACK	LED ON THE CHARGER				POWER INDICATOR ON THE BATTERY PACK	BATTERY PACK POWER	ACTION
		LED1	LED2	LED3	LED4			
	Defective	Flashing red or off	Off	Off	Off	Off	—	Battery pack or charger is defective.
	Cold/Hot Battery	Shining red	Off	Off	Off	Off	—	Charging will begin when battery pack returns to 37°F (3°C)–135°F (57°C)
	Charging	Flashing green	Off	Off	Off	Flash- ing red, orange and green alternately	Less than 25%	Charging
		Shining green alternately		Off	Off		25% to 50%	Charging
		Shining green alternately			Off		50% to 75%	Charging
		Shining green alternately					75% to 90%	Charging
	Full Charged	Shining green continuously				Off	90% to 100%	Charging is complete. Maintenance charging.
	Self-maintenance	Intermittently quick flashing in green				Off	Approx. 30%	Battery pack is performing self-maintenance or in sleep mode. Reinstall the battery pack on the charger to recharge it fully.

CHARGING A HOT OR COLD BATTERY PACK

If the battery pack is out of the normal temperature range, LED1 will shine red. When the battery pack cools down to approximately 135°F (57°C) or warms to more than 37°F (3°C), the charger will automatically begin charging and the 4 LEDs will sequence normally.

DEFECTIVE BATTERY PACK OR CHARGER

If the charger detects a problem, LED1 will begin flashing red or all the LEDs will turn off.

1. If registering as defective, remove and reinsert the battery pack in the charger. If the LEDs still read “defective” a second time, try charging a different battery pack.
2. If a different battery pack charges normally, dispose of the defective battery pack (refer to the instructions in the battery pack manual).
3. If a different battery pack also indicates “defective”, unplug the charger and wait until the flashing LED1 goes out, then reconnect the plug to the power supply. If LED1 on charger still display defective, the charge may be defective.

WALL-MOUNT HOLES

The charger has hanging holes for convenient storage (Fig.1). Install screws in the wall 3 inches (76mm) apart. Use screws sufficiently strong to hold the combined weight of the charger and battery pack (approximately maximum 10.6 lbs.)

MAINTENANCE

⚠ WARNING: To avoid serious personal injury, always remove the battery pack from the tool when cleaning or performing any maintenance.

⚠ WARNING: When servicing, use only identical EGO replacement parts. Use of any other parts may create a hazard or cause product damage.

⚠ WARNING: It is not recommended to use compressed dry air as cleaning method of the charger. If cleaning with compressed air is the only method to apply, always wear safety goggles or safety glasses with side shields when using compressed air to clean the tool. If the operation is dusty, also wear a dust mask.

GENERAL MAINTENANCE

Avoid using solvents when cleaning plastic parts. Most plastics are susceptible to damage from various types of commercial solvents and may be damaged by their use. Use clean cloths to remove dirt, dust, oil, grease, etc.

⚠ WARNING: Do not at any time let brake fluids, gasoline, petroleum-based products, penetrating oils, etc. to come in contact with plastic parts. Chemicals can damage, weaken or destroy plastic which may result in serious personal injury.

⚠ WARNING: When servicing, use only identical EGO replacement parts. Use of any other parts may create a hazard or cause product damage. To ensure safety and reliability, all repairs should be performed by a qualified service technician at an EGO Service Center.

TROUBLESHOOTING

PROBLEM	CAUSE	SOLUTION
Charger doesn't work. LED1 flashes red or all the LEDs go out.	Battery pack or charger is defective or bad connection between the battery pack and charger.	<ol style="list-style-type: none">1. Try to remove and reinsert the battery pack in the charger.2. Try charging a different battery pack.3. Unplug the charger and wait until the red LED goes out, then reconnect the plug to the power supply.
Charger doesn't work and LED1 shines red.	Battery pack is too hot or too cold.	Allow the battery pack to reach normal temperature. Charging will begin when battery pack returns to 37°F(3°C)-135°F(57°C).

WARRANTY

EGO WARRANTY POLICY

3 year limited warranty on EGO Power+ System battery packs and chargers.

Please contact EGO Customer Service Toll-Free at 1-855-EGO-5656 any time you have questions or warranty claims.

LIMITED SERVICE WARRANTY

FOR THREE YEARS from the date of original retail purchase, the EGO Power+ System Battery Pack and Charger are warranted against defects in material or workmanship. Defective product will receive free repair.

- a) This warranty applies only to the original purchaser from an authorized EGO retailer and may not be transferred. Authorized EGO retailers are identified online at <http://egopowerplus.com/pages/warranty-policy>.
- b) The warranty period for any EGO product, battery pack and charger used for industrial, professional or commercial purpose is one year.
- c) The warranty period for reconditioned or refurbished products used for residential purpose is 1 year, for industrial, professional or commercial purpose is 90 days.
- d) The warranty period for routine maintenance parts, such as, but not limited to, blades, trimmer heads, chain bars, saw chains, belts, scraper bars, blower nozzles, and all other EGO accessories is 90 days for residential purpose, 30 days for industrial, professional or commercial purpose. These parts are covered for 90/30 days from manufacture defects in normal working conditions.
- e) This warranty is void if the product has been used for rental purpose.
- f) This warranty does not cover the damage resulting from modification, alteration or unauthorized repair.
- g) This warranty only covers defects arising under normal usage and does not cover any malfunction, failure or defect resulting from misuse, abuse (including overloading of the product beyond capacity and immersion in water or other liquid), accidents, neglect or lack of proper installation, and improper maintenance or storage.



- h) This warranty does not cover normal deterioration of the exterior finish, including but not limited to scratches, dents, paint chips, or to any corrosion or discoloring by heat, abrasive and chemical cleaners.

HOW TO OBTAIN SERVICE

For warranty service, please contact EGO customer service toll-free at **1-855-EGO-5656**. When requesting warranty service, you must present the original dated sales receipt. An authorized service center will be selected to repair the product according to the stated warranty terms. When bringing your product to the authorized service center, there may be a small deposit that will be required when dropping off your tool. This deposit is refundable when the repair service is deemed to be covered under warranty.

ADDITIONAL LIMITATIONS

To the extent permitted by applicable law, all implied warranties, including warranties of MERCHANTABILITY or FITNESS FOR A PARTICULAR PURPOSE, are disclaimed. Any implied warranties, including warranties of merchantability or fitness for a particular purpose, that cannot be disclaimed under state law are limited to three years from date of purchase for battery pack and charger.

Chervon North America is not responsible for direct, indirect, incidental or consequential damages.

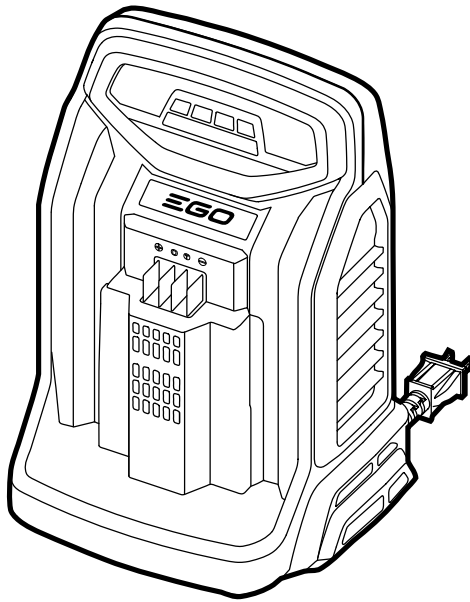
Some states do not allow limitations on how long an implied warranty lasts and/or do not allow the exclusion or limitation of incidental or consequential damages, so the above limitations may not apply to you.

This warranty gives you specific legal rights, and you may also have other rights which vary from state to state.

For customer service contact us toll-free at: **1-855-EGO-5656 or EGOPOWERPLUS.COM**
EGO Customer Service, 120 Ionia Street SW / Suite 102 Grand Rapids, MI 49503

EGO™

POWER+ CHARGER



GUIDE D'UTILISATION

CHARGEUR RAPIDE DE 56 V

NUMÉRO DE MODÈLE CH5500/CH5500-FC

⚠ AVERTISSEMENT : Afin de réduire les risques de blessure, l'utilisateur doit lire et comprendre le guide d'utilisation avant d'utiliser ce produit. Conservez le présent guide afin de pouvoir le consulter ultérieurement.

TABLE DES MATIÈRES

Déclaration relative à la FCC (Commission fédérale des communications des États-Unis)	24
Symboles de sécurité	25
Consignes de sécurité	26-31
Introduction	32
Caractéristiques techniques	32
Description	33
Fonctionnement	34-36
Entretien	37
Dépannage	38
Garantie	39-40

LISEZ TOUTES LES INSTRUCTIONS!



LIRE ET COMPRENDRE TOUTES LES
INSTRUCTIONS DU GUIDE.

Ce chargeur est doté de nombreuses caractéristiques qui rendent son utilisation plus plaisante et agréable. Ce produit a été essentiellement conçu selon des critères de sécurité, de rendement et de fiabilité pour en faciliter l'entretien et le fonctionnement.

⚠ AVERTISSEMENT : La poussière créée par le ponçage, le sciage, le meulage, le perçage et autres activités de construction peut contenir des produits chimiques connus dans l'État de la Californie comme étant la cause de cancer, d'anomalies congénitales et d'autres problèmes du système reproducteur. Voici des exemples de ces produits chimiques :

- le plomb contenu dans la peinture au plomb;
- la silice cristallisée contenue dans les briques, le ciment et d'autres produits de maçonnerie;
- l'arsenic et le chrome contenus dans le bois d'œuvre traité avec des produits chimiques.

Les risques liés à l'exposition à ces produits varient en fonction de la fréquence à laquelle vous effectuez ce type de travail. Pour réduire votre exposition à ces produits chimiques, travaillez dans une zone bien ventilée et portez l'équipement de sécurité approuvé, comme les masques antipoussières conçus spécialement pour ne pas laisser passer les particules microscopiques.

DÉCLARATION RELATIVE À LA FCC (COMMISSION FÉDÉRALE DES COMMUNICATIONS DES ÉTATS-UNIS)

1. Cet appareil est conforme à la partie 15 des règlements de la FCC. Son fonctionnement est soumis aux deux conditions suivantes :
 - 1) L'appareil ne doit pas provoquer d'interférences nuisibles.
 - 2) L'appareil doit accepter toute interférence reçue, y compris des interférences susceptibles de causer un fonctionnement non désiré.
2. Tout changement ou toute modification non expressément approuvé par la partie responsable de la conformité peut annuler le droit de l'utilisateur à faire fonctionner l'équipement.

AVERTISSEMENT : Cet équipement a été testé et a été déclaré conforme aux restrictions pour dispositifs numériques de classe B en vertu de la partie 15 des règles de la FCC. Ces restrictions visent à offrir une protection raisonnable contre l'interférence nuisible d'une installation résidentielle. Cet équipement génère, utilise et peut émettre de l'énergie de fréquence radio et, s'il n'est pas installé et utilisé conformément aux instructions, il peut causer une interférence nuisible aux radiocommunications. Toutefois, il n'est pas garanti qu'une interférence ne puisse pas se produire dans une installation particulière. Si l'équipement cause une interférence nuisible à la réception radio ou télévisuelle, interférence qui peut être déterminée en allumant et en éteignant l'équipement, il est recommandé que l'utilisateur tente de corriger l'interférence en prenant au moins l'une des mesures suivantes : réorienter ou déplacer l'antenne de réception; augmenter la distance entre l'équipement et le récepteur; brancher l'équipement sur une prise de courant qui n'appartient pas au circuit sur lequel le récepteur est branché; consulter le vendeur ou un technicien spécialisé en audiovisuel pour obtenir de l'aide.

SYMBOLES DE SÉCURITÉ

L'objectif des symboles de sécurité est d'attirer votre attention sur les dangers potentiels. Vous devez examiner attentivement et bien comprendre les symboles de sécurité et les explications qui les accompagnent. Les symboles d'avertissement n'éliminent pas le danger d'eux-mêmes. Les consignes et les avertissements qui y sont associés ne remplacent en aucun cas les mesures préventives adéquates.

⚠ AVERTISSEMENT : Avant d'utiliser l'outil, assurez-vous de lire et de comprendre toutes les consignes de sécurité présentes dans ce guide d'utilisation, notamment toutes les consignes de sécurité indiquées par « **DANGER** », « **AVERTISSEMENT** » et « **ATTENTION** ». Le fait de ne pas respecter toutes les consignes de sécurité ci-dessous peut occasionner une décharge électrique, un incendie ou des blessures graves.



⚠ AVERTISSEMENT : L'utilisation de tout outil électrique peut entraîner la projection de corps étrangers dans les yeux et ainsi causer des lésions oculaires graves. Avant d'utiliser un outil électrique, veillez à toujours porter des lunettes de sécurité couvrantes ou à écrans latéraux, ou un masque complet au besoin. Nous recommandons le port d'un masque de sécurité panoramique par-dessus les lunettes ou de lunettes de sécurité standard avec écrans latéraux. Portez toujours des lunettes de sécurité conformes à la norme ANSI Z87.1. (Insérez l'icône de protection oculaire.)

CONSIGNES DE SÉCURITÉ

Vous trouverez ci-dessous les symboles de sécurité qui peuvent être présents sur l'outil accompagnés de leur description. Vous devez lire, comprendre et suivre toutes les instructions présentes sur l'outil avant de commencer à l'assembler ou à l'utiliser.

V	Volt	Tension
A	Ampères	Courant
Hz	Hertz	Fréquence (cycles par seconde)
W	Watt	Puissance
min	Minutes	Durée
~	Courant alternatif	Type de courant
≡	Courant continu	Type de courant ou caractéristique de courant
n_0	Vitesse à vide	Vitesse de rotation à vide

... /min	Par minute	Tours par minute
	Fabrication de classe II	Fabrication à double isolation
	Avertissement concernant l'humidité	N'exposez pas cet appareil à la pluie et évitez de l'utiliser dans des endroits humides.
	Lisez le guide d'utilisation	Afin de réduire les risques de blessure, l'utilisateur doit lire et comprendre le guide d'utilisation avant d'utiliser ce produit.
	Lunettes de sécurité	Lorsque vous utilisez l'article, portez toujours des lunettes de sécurité couvrantes ou à écrans latéraux, ou un masque complet.
	Alerte de sécurité	Précautions destinées à assurer votre sécurité.

⚠ AVERTISSEMENT : Vous devez lire et comprendre toutes les instructions. Le fait de ne pas respecter toutes les consignes de sécurité ci-dessous peut occasionner une décharge électrique, un incendie ou des blessures graves. Le terme « outil électrique » dans tous les avertissements indiqués ci-dessous désigne les outils électriques avec cordon ou les outils électriques alimentés par un bloc-pile (sans fil).

⚠ AVERTISSEMENT : Pour garantir une utilisation sécuritaire de ce produit et sa fiabilité, toutes les réparations doivent être effectuées par un technicien qualifié.

SÉCURITÉ DE L'AIRE DE TRAVAIL

- **Maintenez l'aire de travail propre et bien éclairée.** Les aires de travail sombres et encombrées sont propices aux accidents.
- **Ne faites pas fonctionner d'outil électrique dans un environnement explosif, par exemple en présence de poussière, de gaz ou de liquides inflammables.** Les outils électriques provoquent des étincelles, qui peuvent enflammer la poussière ou les émanations.

SÉCURITÉ ÉLECTRIQUE

- **Évitez tout contact avec les surfaces reliées à la terre,** comme la tuyauterie, les radiateurs, les cuisinières et les réfrigérateurs. Le risque de décharge électrique est accru si votre corps est relié à la terre.
- **La fiche de l'outil électrique doit correspondre à la prise.** Ne modifiez la fiche d'aucune façon. N'utilisez aucun adaptateur de fiche avec les outils électriques reliés à la terre. Le branchement d'une fiche non modifiée dans une prise correspondante permet de réduire les risques de décharge électrique.
- **N'exposez pas les outils électriques à la pluie ni à aucun autre liquide.** L'infiltration d'eau dans un outil électrique augmente les risques de choc électrique.
- **N'utilisez pas le cordon d'alimentation de façon abusive.** Vous ne devez ni transporter l'outil électrique en le tenant seulement par le cordon, ni le tirer par le cordon, ni le débrancher en tirant sur le cordon. Maintenez le cordon à l'écart de la chaleur, de l'huile, de bords coupants et de pièces mobiles. Un cordon endommagé ou emmêlé augmente les risques de décharge électrique.
- **Lorsque vous utilisez un outil électrique à l'extérieur, utilisez une rallonge adaptée à un usage à l'extérieur.** L'utilisation d'une rallonge adaptée à l'extérieur réduit les risques de décharge électrique.
- Utilisez les blocs-piles au lithium-ion EGO indiqués ci-dessous :

CHARGEUR	BLOCS-PILES
CH5500/CH5500-FC Chargeur rapide de 56 v	Bloc-pile BA1120/BA1120-FC de 56 V et de 2,0 Ah Bloc-pile BA1400/BA1400-FC de 56 V et de 2,5 Ah Bloc-pile BA2240/BA2240-FC de 56 V et de 4,0 Ah Bloc-pile BA2800/BA2800-FC de 56 V et de 5,0 Ah Bloc-pile BA4200/BA4200-FC de 56 V et de 7,5 Ah

ENTRETIEN

- **Faites entretenir votre chargeur par un réparateur qualifié en utilisant uniquement des pièces de remplacement identiques.** Vous vous assurerez ainsi que le chargeur demeure sécuritaire.
- **Lorsque vous procédez à l'entretien du chargeur, utilisez uniquement des pièces de remplacement identiques à celles d'origine. Suivez les instructions dans la section sur l'entretien de ce guide.** L'utilisation de pièces non autorisées et le non-respect des instructions d'entretien peuvent entraîner des risques de choc et de blessures.

RÈGLES DE SÉCURITÉ POUR LE CHARGEUR

⚠ ATTENTION : Afin de réduire les risques de décharge électrique ou de dommages au chargeur ou à la pile, ne chargez que les piles rechargeables au lithium-ion expressément indiquées sur l'étiquette du chargeur. Les autres types de piles pourraient exploser et ainsi causer des blessures ou des dommages.

- **Avant d'utiliser le chargeur,** lisez l'ensemble des instructions et des avertissements fournis dans présent guide ainsi que sur le chargeur, sur la pile et sur l'appareil utilisant la pile, afin de prévenir un usage inapproprié des produits et d'éviter des blessures potentielles.
- **N'utilisez pas le chargeur à l'extérieur et ne l'exposez pas aux endroits mouillés ou humides.** L'infiltration d'eau dans le chargeur augmente les risques de décharge électrique.
- **Évitez de manipuler le chargeur, y compris la fiche et les bornes du chargeur, avec des mains humides.**
- **L'utilisation d'une pièce qui n'est pas recommandée ni vendue par le fabricant du chargeur peut constituer un risque d'incendie, de décharge électrique ou de blessure.**
- **Rechargez le bloc-pile uniquement au moyen du chargeur indiqué par le fabricant.** Un chargeur non adapté à un type de bloc-pile peut constituer un risque d'incendie s'il est utilisé avec un bloc-pile différent de celui pour lequel il a été conçu.
- **N'utilisez pas le cordon d'alimentation ni le chargeur de façon abusive.** N'utilisez jamais le cordon pour transporter le chargeur. Ne tirez pas sur le cordon du chargeur pour débrancher la fiche d'une prise, vous pourriez endommager le cordon ou le chargeur et créer un risque de décharge électrique. Remplacez immédiatement les cordons endommagés.

- **Assurez-vous que le cordon est placé de manière à ce qu'il ne soit pas écrasé, qu'il ne gêne pas le passage, qu'il n'entre pas en contact avec des objets aux bords coupants ou des pièces mobiles, et qu'il ne soit pas endommagé ni soumis à une tension.** Vous réduirez ainsi les risques de chutes accidentelles, qui peuvent entraîner des blessures, et les dommages au cordon, qui pourraient ensuite occasionner une décharge électrique.
- **Gardez le cordon et le chargeur loin de la chaleur pour éviter d'endommager le boîtier ainsi que les pièces internes.**
- **Ne laissez pas de l'essence, des huiles, des produits à base de pétrole, des huiles dégriffantes ni d'autres produits de ce genre entrer en contact avec les pièces en plastique.** Ces matières contiennent des produits chimiques pouvant endommager, affaiblir ou détruire le plastique.
- **N'utilisez pas le chargeur si le cordon ou la fiche sont endommagés, cela pourrait causer un court-circuit et une décharge électrique.** Remplacez ou faites réparer le chargeur endommagé par un technicien autorisé dans un centre de service EGO.
- **N'utilisez pas le chargeur s'il a subi un choc violent, s'il est tombé ou s'il a été endommagé.** Apportez-le à un technicien autorisé qui effectuera une vérification électrique pour déterminer s'il est en bon état de fonctionnement.
- **Ne démontez pas le chargeur.** Pour effectuer l'entretien ou une réparation, apportez-le à un technicien autorisé. Un remontage incorrect peut provoquer un risque de décharge électrique ou d'incendie.
- **Afin de réduire les risques de décharge électrique, débranchez le chargeur de la prise électrique avant de procéder à l'entretien ou au nettoyage.**
- **Débranchez le chargeur de la prise électrique lorsque vous ne l'utilisez pas.** Vous réduirez ainsi les risques de décharge électrique ou de dommages au chargeur si des objets métalliques tombaient dans l'ouverture. Cela évitera également d'endommager le chargeur en cas de surtension.
- **Risque de décharge électrique.** Ne touchez pas à la partie non isolée du connecteur de sortie ni à la borne non isolée de la pile.
- **Conservez ces instructions.** Consultez-les régulièrement et utilisez-les pour expliquer le fonctionnement de ce produit à d'autres personnes qui l'utiliseraient. Si vous prêtez cet outil à une personne, prêtez-lui également ces instructions afin de prévenir un usage inapproprié et des blessures potentielles.

CONSIGNES DE SÉCURITÉ IMPORTANTES

- **Conservez ces instructions.** Ce guide contient le mode d'emploi du chargeur rapide CH5500/CH5500-FC de 56 V et des instructions de sécurité importantes le concernant.
- **Avant d'utiliser le chargeur, lisez l'ensemble des instructions et des avertissements sur le chargeur, sur la pile et sur l'appareil utilisant la pile.**

⚠ AVERTISSEMENT : Lorsque vous utilisez un appareil électrique, suivez toujours les consignes de sécurité suivantes.

- Lorsqu'un appareil est utilisé en présence d'enfants, une surveillance étroite doit être exercée afin de réduire les risques de blessure.
- N'utilisez que des pièces recommandées ou vendues par le fabricant.
- N'utilisez pas l'appareil à l'extérieur.
- Dans le cas d'un appareil portable – afin de réduire les risques de décharge électrique, n'exposez pas le chargeur à l'eau ni à aucun autre liquide. Ne placez pas ou ne rangez pas l'appareil à un endroit où il pourrait tomber ou être entraîné dans une baignoire ou un évier.

⚠ ATTENTION : Afin de réduire les risques de blessure, ne chargez que des piles rechargeables au lithium-ion. Les autres types de piles pourraient exploser et ainsi causer des blessures ou des dommages.

INTRODUCTION

Nous vous félicitons d'avoir choisi un chargeur rapide de 56 V de nouvelle génération. Il a été conçu et fabriqué afin de vous offrir la meilleure fiabilité et le meilleur rendement possible.

Si vous éprouvez un problème que vous n'arrivez pas à régler facilement, veuillez communiquer avec le centre de service à la clientèle d'EGO au 1 855 EGO-5656.

Ce guide contient des renseignements importants pour assembler, utiliser et entretenir le chargeur rapide en toute sécurité. Lisez-le soigneusement avant d'utiliser le chargeur. Conservez ce guide à portée de main afin de pouvoir le consulter à tout moment.

NUMÉRO DE SÉRIE _____ DATE D'ACHAT _____

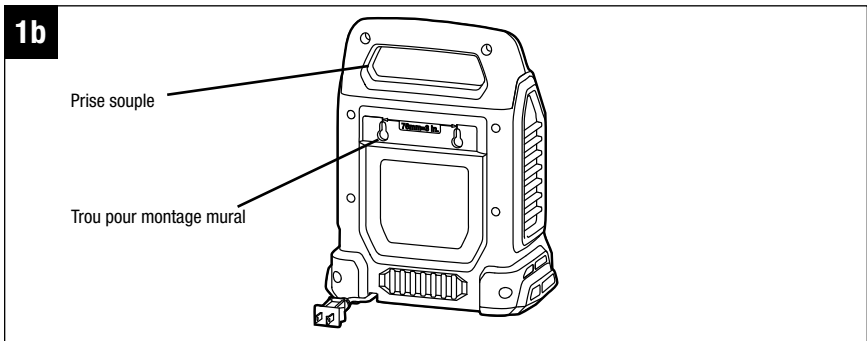
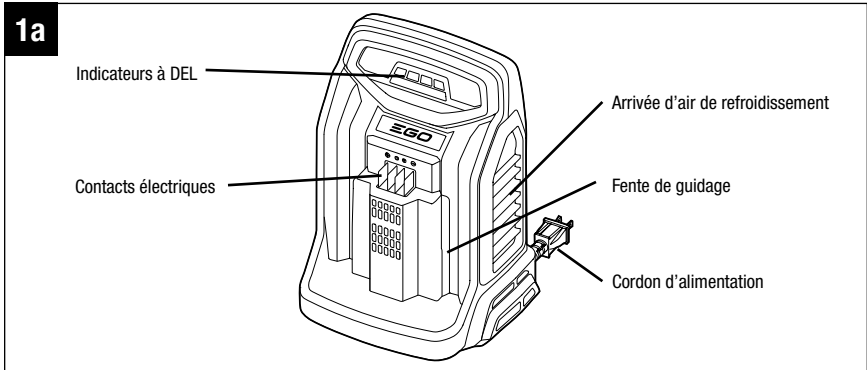
NOUS VOUS RECOMMANDONS DE NOTER LE NUMÉRO DE SÉRIE ET LA DATE D'ACHAT ET DE LES CONSERVER EN LIEU SÛR AFIN DE POUVOIR LES CONSULTER ULTÉRIEUREMENT.

CARACTÉRISTIQUES TECHNIQUES

Entrée du chargeur	120 V, 60 Hz, 550 W
Sortie du chargeur	Bloc-pile rechargeable de type lithium-ion, 56 V, 7500 mAh maximum
Durée de la charge rapide	Environ 25 minutes dans le cas du bloc-pile BA1120/BA1120-FC, 30 minutes dans le cas du bloc-pile BA1400/BA1400-FC, 30 minutes dans le cas du bloc-pile BA2240/BA2240-FC, 40 minutes dans le cas du bloc-pile BA2800/BA2800-FC, 60 minutes dans le cas du bloc-pile BA4200/BA4200-FC
Température ambiante recommandée pour charger	5 °C à 40 °C (41 °F à 104 °F)
Poids du chargeur	1,91 kg (4,21 lb)

DESCRIPTION

DESCRIPTION DU CHARGEUR (figures 1a et 1b)



INDICATEURS À DEL : indiquent l'état de charge.

FENTE DE GUIDAGE : dirige le bloc-pile en place lorsque celui-ci est installé sur le chargeur.

TROU POUR MONTAGE MURAL : pour un rangement pratique sur un mur.

⚠ AVERTISSEMENT : Pour utiliser ce produit en toute sécurité, vous devez comprendre les renseignements le concernant contenus dans ce guide d'utilisation et connaître le projet que vous entreprenez. Avant d'utiliser ce produit, familiarisez-vous avec toutes les caractéristiques de fonctionnement et les consignes de sécurité.

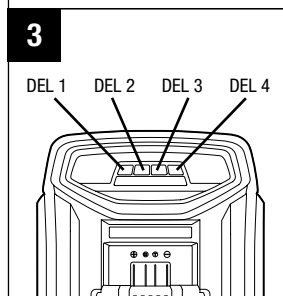
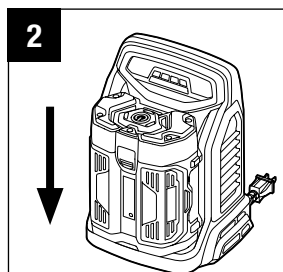
FONCTIONNEMENT

CHARGE DU BLOC-PILE

⚠ AVERTISSEMENT : N'utilisez pas le chargeur à l'extérieur et ne l'exposez pas aux endroits mouillés ou humides. L'infiltration d'eau dans le chargeur augmente les risques de décharge électrique.

AVERTISSEMENT : Les blocs-piles au lithium-ion sont partiellement chargés au moment de leur expédition. Chargez complètement le bloc-pile avant sa première utilisation.





1. Branchez le chargeur sur l'alimentation électrique (120 v, 60 Hz). Les quatre voyants à DEL émettront une lumière verte de courte durée pour indiquer que le chargeur fonctionne correctement.
2. Alignez les nervures en saillie du bloc-pile sur les fentes de guidage du chargeur, puis faites glisser le bloc-pile sur le chargeur (figure 2).
3. Le chargeur communique avec le bloc-pile pour évaluer l'état du bloc-pile.
4. Lorsque le bloc-pile se recharge, les quatre voyants à DEL situés sur le chargeur émettent une lumière verte à tour de rôle, soit de gauche à droite, pour indiquer le niveau de charge. Veuillez consulter la figure 3. L'indicateur de mise en marche du bloc-pile clignote selon la séquence suivante : rouge, orange et vert. Le ventilateur du chargeur fonctionne constamment pour refroidir le bloc-pile.
5. Lorsque le bloc-pile est chargé au maximum de sa capacité, les voyants à DEL cessent de clignoter et passent au vert en continu. L'indicateur de mise en marche du bloc-pile s'éteint. Attendez que le ventilateur s'arrête, enlevez le bloc-pile du chargeur et débranchez le chargeur de la prise de courant.
6. Le bloc-pile se chargera à sa capacité maximale s'il reste sur le chargeur, mais il ne peut pas être surchargé. Si le bloc-pile demeure sur le chargeur durant un mois ou plus, il procédera à un auto-entretien et baissera à une capacité de charge de 30 %. Dans ce cas, réinstallez le bloc-pile sur le chargeur pour le recharger à sa capacité maximale.



AVERTISSEMENT :

- Une durée de fonctionnement vraiment réduite après une charge complète signifie que la fin de la vie utile des piles approche et que celles-ci doivent être remplacées.
- Il est possible que le chargeur devienne chaud durant la charge, cela est tout à fait normal. Chargez dans un endroit bien aéré.

FONCTIONS DES INDICATEURS À DEL DU CHARGEUR (figure 3)

INDICATEUR À DEL	BLOC-PILE	VOYANT À DEL SUR LE CHARGEUR				INDICATEUR DE MISE EN MARCHÉ DU BLOC-PILE	ALIMENTATION DU BLOC-PILE	ACTION
		DEL 1	DEL 2	DEL 3	DEL 4			
	Défectueux	Clignote en rouge ou est éteint	Éteint	Éteint	Éteint	Éteint	—	Le bloc-pile ou le chargeur est défectueux
	Bloc-pile froid/chaud	Émet une lumière rouge en continu	Éteint	Éteint	Éteint	Éteint	—	La charge commencera dès que le bloc-pile atteindra une température entre 3 et 57 °C (37 et 135 °F)
	Charge en cours	Clignote en vert	Éteint	Éteint	Éteint	Clignote successivement en rouge, en orange et en vert	Moins de 25 %	Charge en cours
		Clignote successivement en vert		Éteint	Éteint		De 25 % à 50 %	Charge en cours
		Clignote successivement			Éteint		De 50 % à 75 %	Charge en cours
		Clignote successivement					De 75 % à 90 %	Charge en cours
	Chargé au maximum de sa capacité	Émet une lumière verte en continu			Éteint	De 90 % à 100 %	Charge terminée. Charge de maintien	
—	Auto-entretien	Clignote en vert rapidement par intermittence			Éteint	Environ 30 %	Le bloc-pile effectue un auto-entretien ou est en mode veille. Réinstallez le bloc-pile sur le chargeur pour le recharger au maximum de sa capacité	

CHARGE D'UN BLOC-PILE CHAUD OU FROID

Si la température du bloc-pile est en dehors de la plage de températures normales, le voyant à DEL 1 s'allume en rouge. Lorsque le bloc-pile refroidit autour de 57 °C (135 °F) ou réchauffe autour de 3 °C (37 °F), le chargeur commence automatiquement la charge et les quatre voyants à DEL suivent leur séquence habituelle.

BLOC-PILE OU CHARGEUR DÉFECTUEUX

Si le chargeur détecte un problème, le voyant à DEL 1 commence à clignoter en rouge ou tous les voyants à DEL s'éteignent.

1. S'il indique une défectuosité, enlevez le bloc-pile et réinstallez-le sur le chargeur. Si les voyants à DEL indiquent toujours une défectuosité, essayez de charger un bloc-pile différent.
2. Si l'autre bloc-pile charge normalement, jetez le bloc-pile défectueux (consultez les instructions dans le guide du bloc-pile).
3. Si l'autre bloc-pile indique également une défectuosité, débranchez le chargeur et attendez que le voyant à DEL 1 clignotant s'éteigne, puis rebranchez la fiche dans la prise de courant. Si le voyant à DEL 1 du chargeur indique toujours une défectuosité, le chargeur est peut-être défectueux.

TROUS POUR MONTAGE MURAL

Le chargeur est doté d'œilletons de fixation pour un rangement pratique (figure 1). Installez des vis à 76 mm (3 po) de distance dans le mur. Utilisez des vis suffisamment robustes pour tenir le poids combiné du chargeur et du bloc-pile (environ 4,13 kg au maximum).

ENTRETIEN

⚠ AVERTISSEMENT : Pour éviter des blessures graves, retirez toujours le bloc-pile avant de procéder à l'entretien ou au nettoyage de l'outil.

⚠ AVERTISSEMENT : Lorsque vous procédez à l'entretien de l'article, utilisez uniquement des pièces de remplacement EGO identiques à celles d'origine. L'utilisation de toute autre pièce peut constituer un danger ou endommager le produit.

⚠ AVERTISSEMENT : Il n'est pas recommandé d'utiliser de l'air comprimé pour nettoyer le chargeur. Si le nettoyage à l'air comprimé est la seule méthode possible, portez toujours des lunettes de sécurité couvrantes ou à écrans latéraux lorsque vous nettoyez l'outil de cette manière. Si la tâche génère de la poussière, portez également un masque antipoussières.

ENTRETIEN GÉNÉRAL

Évitez d'utiliser des solvants sur les pièces en plastique. La plupart des plastiques sont susceptibles d'être endommagés par divers types de solvants commerciaux. Utilisez un linge propre pour enlever la saleté, la poussière, l'huile, la graisse, etc.

⚠ AVERTISSEMENT : Ne laissez en aucun temps du liquide pour freins, de l'essence, des produits à base de pétrole, des huiles dégrippantes et autres produits de ce genre entrer en contact avec les pièces en plastique. Les produits chimiques peuvent endommager, affaiblir ou détruire le plastique et engendrer ainsi des risques de blessures graves.

⚠ AVERTISSEMENT : Lorsque vous procédez à l'entretien de l'article, utilisez uniquement des pièces de remplacement EGO identiques à celles d'origine. L'utilisation de toute autre pièce peut constituer un danger ou endommager le produit. Pour garantir une utilisation sécuritaire du produit et sa fiabilité, toutes les réparations doivent être effectuées par un technicien qualifié dans un centre de service EGO.

DÉPANNAGE

PROBLÈME	CAUSE	SOLUTION
Le chargeur ne fonctionne pas. Le voyant à DEL 1 clignote en rouge ou tous les voyants à DEL s'éteignent.	Le bloc-pile ou le chargeur est défectueux ou il y a un mauvais contact entre le bloc-pile et le chargeur.	<ol style="list-style-type: none">1. Essayez d'enlever le bloc-pile et réinstallez-le sur le chargeur.2. Essayez de charger un autre bloc-pile.3. Débranchez le chargeur et attendez que le voyant à DEL rouge s'éteigne, puis rebranchez la fiche dans la prise de courant.
Le chargeur ne fonctionne pas et le voyant à DEL 1 émet une lumière rouge.	Le bloc-pile est trop chaud ou trop froid.	Attendez que le bloc-pile atteigne une température normale. La charge commencera dès que le bloc-pile atteindra une température entre 3 et 57 °C (37 et 135 °F).

GARANTIE

POLITIQUE D'EGO EN MATIÈRE DE GARANTIE

Une garantie de trois ans est offerte pour les blocs-piles et les chargeurs EGO Power+.

Veillez communiquer avec le service à la clientèle d'EGO au 1 855 EGO-5656 (numéro sans frais) pour toute question sur les réclamations au titre de la garantie.

GARANTIE LIMITÉE

À compter de la date d'achat originale, le chargeur et le bloc-pile EGO Power+ sont garantis **PENDANT TROIS ANS** contre les défauts de matériaux et de fabrication. Les produits défectueux seront réparés gratuitement.

- a) Cette garantie s'applique uniquement à l'acheteur initial s'étant procuré le produit chez un détaillant EGO autorisé et est non transférable. La liste des détaillants EGO autorisés est publiée en ligne sur le site <http://egopowerplus.com/pages/warranty-policy>.
- b) La période de garantie pour le bloc-pile, le chargeur ou tout produit EGO utilisés à des fins industrielles, professionnelles ou commerciales est de un an.
- c) La période de garantie pour les produits remis en état ou remis à neuf utilisés à des fins résidentielles est de 1 an, et de 90 jours lorsqu'ils sont utilisés à des fins industrielles, professionnelles ou commerciales.
- d) La période de garantie pour les pièces d'entretien régulier, y compris, sans s'y limiter, les lames, les têtes de taille-bordure, les guides-chaînes, les chaînes de scie, les courroies, les barres de raclage, les buses de souffleur, ainsi que tous les autres accessoires EGO, est de 90 jours lorsqu'elles sont utilisées à des fins résidentielles et de 30 jours lorsqu'elles sont utilisées à des fins industrielles, professionnelles ou commerciales. Ces pièces sont couvertes contre les défauts de fabrication pour une période de 90 jours ou de 30 jours si elles sont utilisées dans des conditions de travail normales.
- e) La présente garantie n'est pas valide si le produit a été utilisé aux fins de location.
- f) La présente garantie ne couvre pas les dommages résultant d'une modification, d'une altération ou d'une réparation non autorisée.

- g) Cette garantie couvre uniquement les défauts survenant dans des conditions normales d'utilisation et ne couvre aucun dysfonctionnement ou défaut ni aucune défaillance découlant d'un usage inapproprié ou abusif (notamment la surcharge du produit et son immersion dans l'eau ou dans tout autre liquide), d'un accident, d'une négligence, d'une installation inadéquate et de tout entretien ou entreposage inadéquat.
- h) La présente garantie ne couvre pas la détérioration normale du fini extérieur, notamment les rayures, les bosselures, les craquelures de la peinture ou toute corrosion ou décoloration résultant de la chaleur, de produits abrasifs ou de nettoyeurs chimiques.

RÉCLAMATION AU TITRE DE LA GARANTIE

Pour faire une réclamation au titre de la garantie, veuillez communiquer avec le service à la clientèle d'EGO au **1 855 EGO-5656** (numéro sans frais). Lorsque vous faites une réclamation au titre de la garantie, vous devez présenter le reçu de vente original. Un centre de service autorisé sera sélectionné pour la réparation du produit conformément aux conditions de garantie prescrites. Il se peut qu'un petit dépôt soit exigé lorsque vous laissez votre outil dans un centre de service autorisé. Ce dépôt est remboursable lorsque le service de réparation est considéré comme étant couvert par la garantie.

RESTRICTIONS SUPPLÉMENTAIRES

Dans les limites prescrites par la législation locale, toutes les garanties implicites, notamment les garanties de QUALITÉ MARCHANDE ou d'ADÉQUATION POUR UN USAGE PARTICULIER, sont non valides. Toute garantie implicite, notamment les garanties de qualité marchande ou d'adéquation pour un usage particulier, qui ne peut être déclinée en vertu de la législation provinciale est limitée à trois ans à compter de la date d'achat pour le bloc-pile et le chargeur.

Chervon North America n'est pas responsable des dommages accessoires, consécutifs, indirects ou directs.

Certaines provinces n'autorisent pas les restrictions de durée de garantie implicite, ou l'exclusion ou la restriction des dommages consécutifs et accessoires; c'est pourquoi les restrictions ci-dessus peuvent ne pas s'appliquer à votre cas.

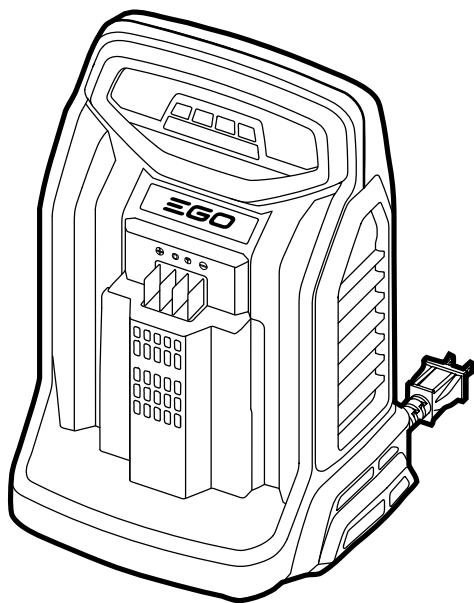
Cette garantie vous confère des droits précis. Il est possible que vous disposiez également d'autres droits, qui varient d'une province à l'autre.

Pour communiquer avec le service à la clientèle, veuillez composer le numéro sans frais suivant : **1 855 EGO-5656** ou consulter le site Web **EGOPOWERPLUS.COM**.

EGO Customer Service, 120 Ionia Street SW / Suite 102 Grand Rapids, MI 49503 États-Unis

EGO™

POWER⁺ CHARGER



MANUAL DE OPERACIONES

CARGADOR RÁPIDO DE 56 V

MODELO NÚMERO CH5500/CH5500-FC

⚠ **ADVERTENCIA:** Para reducir el riesgo de lesiones, el usuario debe leer y comprender el Manual del usuario antes de usar este producto. Guarde estas instrucciones para consultarlas en el futuro.

ÍNDICE

Declaración de la Comisión Federal de Comunicaciones (FCC, por sus siglas en inglés)	44
Símbolos de seguridad	45
Instrucciones de seguridad	46-51
Introducción	52
Especificaciones	52
Descripción	53
Operación	54-56
Mantenimiento	57
Solución de problemas	58
Garantía	59-60

LEA TODAS LAS INSTRUCCIONES



LEA Y COMPRENDA EL
MANUAL DE INSTRUCCIONES

Este cargador de batería cuenta con diversas características que hacen que su uso sea más placentero y agradable. A la hora del diseño de este producto, se le dio prioridad a la seguridad, al rendimiento y a la confiabilidad, lo que facilita su mantenimiento y funcionamiento.

⚠ ADVERTENCIA: Parte del polvo producto del lijado, aserrado, esmerilado, perforado y otras actividades de construcción, contiene químicos que el estado de California reconoce como causantes de cáncer, malformaciones congénitas u otros daños reproductivos. Algunos ejemplos de estos químicos son los siguientes:

- Plomo de pinturas a base de plomo.
- Sílice cristalina de ladrillos, cemento y otros productos de mampostería.
- Arsénico y cromo de maderas tratadas químicamente.

El riesgo por estas exposiciones varía según la frecuencia con la que realice este tipo de trabajo. Medidas para reducir la exposición a estos químicos: Trabaje en un área bien ventilada y con el equipo de seguridad aprobado, como las máscaras antipolvo especialmente diseñadas para filtrar partículas microscópicas.

DECLARACIÓN DE LA COMISIÓN FEDERAL DE COMUNICACIONES (FCC, POR SUS SIGLAS EN INGLÉS)

1. Este dispositivo cumple con la Sección 15 de las reglas de la FCC.
La operación de este dispositivo está sujeta a las dos condiciones siguientes:
 - 1) Este dispositivo no debe causar interferencia dañina.
 - 2) Este dispositivo debe aceptar cualquier interferencia que reciba, incluida la interferencia que pueda causar un funcionamiento no deseado.
2. Los cambios o las modificaciones que no estén expresamente aprobados por la parte responsable del cumplimiento podrían anular la autorización del usuario para operar el equipo.

AVISO: Este equipo se ha probado y ha demostrado que cumple con los límites para un dispositivo digital Clase B, de acuerdo con la Sección 15 de las reglas de la FCC. Estos límites están diseñados para ofrecer una protección razonable contra las interferencias dañinas en una instalación doméstica. Este equipo genera, usa y puede irradiar energía de radiofrecuencia y, si no se instala y se usa de acuerdo con las instrucciones, podría ocasionar interferencias dañinas para las comunicaciones por radio. Sin embargo, no se puede garantizar que no se vaya a producir este tipo de interferencias en una instalación en particular. Si el equipo efectivamente ocasiona interferencias dañinas en la recepción de radio o televisión, lo cual se puede determinar encendiendo y apagando el equipo, se recomienda al usuario que intente corregir la interferencia mediante alguna de las siguientes medidas: Reoriente o reubique la antena receptora. Aumente la distancia entre el equipo y el receptor. Conecte el equipo a un tomacorriente de un circuito diferente de aquel al que se encuentra conectado el receptor. Consulte con el distribuidor o con un técnico de radio y televisión experimentado.

SÍMBOLOS DE SEGURIDAD

Estos símbolos de seguridad se utilizan para advertirle sobre los posibles peligros. Los símbolos de seguridad y las explicaciones que los acompañan merecen cuidadosa atención y comprensión. Por sí solos, los símbolos de advertencia no eliminan los peligros. Las instrucciones y advertencias que proporcionan no reemplazan a las medidas adecuadas de prevención de accidentes.

⚠ ADVERTENCIA: Antes de utilizar esta herramienta, asegúrese de leer y comprender todas las instrucciones de seguridad en este Manual del usuario, incluidos todos los símbolos de alerta de seguridad como “**PELIGRO**”, “**ADVERTENCIA**” y “**PRECAUCIÓN**”. Si no se siguen todas las instrucciones que se indican a continuación, se pueden producir descargas eléctricas, incendios o lesiones personales graves.



⚠ ADVERTENCIA: La operación de cualquier herramienta eléctrica puede causar que se disparen objetos extraños hacia sus ojos, lo que puede resultar en daños graves en los ojos. Antes de comenzar a operar una herramienta eléctrica, use siempre gafas protectoras o anteojos de seguridad con protección lateral y un protector facial si es necesario. Le recomendamos usar una máscara de seguridad de visión amplia sobre anteojos o anteojos de seguridad estándar con protección lateral. Use siempre protección ocular con la marca de cumplimiento de la norma ANSI Z87.1.

INSTRUCCIONES DE SEGURIDAD

Esta página presenta y describe los símbolos de seguridad que pueden aparecer en este producto. Lea, comprenda y siga todas las instrucciones que figuran en la máquina antes de intentar ensamblarla y operarla.

V	Voltio	Voltaje
A	Amperios	Corriente
Hz	Hertz	Frecuencia (ciclos por segundo)
W	Vatio	Potencia
min	Minutos	Tiempo
~	Corriente alterna	Tipo de corriente
≡	Corriente continua	Tipo o característica de la corriente
n_0	Velocidad sin carga	Velocidad de rotación, sin carga

... /min	Por minuto	Revoluciones por minuto
	Construcción clase II	Fabricación con doble aislamiento
	Alerta de condiciones húmedas	No exponga el producto a la lluvia ni lo use en lugares húmedos.
	Lea el Manual del usuario	Para reducir el riesgo de lesiones, el usuario debe leer y comprender el Manual del usuario antes de usar este producto.
	Protección ocular	Use siempre gafas protectoras o anteojos con protección lateral y un protector facial al operar este producto.
	Alerta de seguridad	Precauciones que involucran su seguridad.

⚠ ADVERTENCIA: Lea y comprenda todas las instrucciones. Si no se siguen todas las instrucciones que se indican a continuación, se pueden producir descargas eléctricas, incendios o lesiones personales graves. El término “herramienta eléctrica” en todas las advertencias que figuran a continuación se refiere a las herramientas eléctricas que funcionan con conexión eléctrica o a batería (inalámbricas).

⚠ ADVERTENCIA: Para garantizar la seguridad y confiabilidad, todas las reparaciones las debe realizar un técnico calificado.

SEGURIDAD DEL ÁREA DE TRABAJO

- **Mantenga el área de trabajo limpia y bien iluminada.** Las áreas desordenadas y oscuras pueden provocar accidentes.
- **No opere herramientas eléctricas en ambientes explosivos, como en presencia de líquidos, gases o polvos inflamables.** Las herramientas eléctricas producen chispas que pueden encender el polvo o los gases.

SEGURIDAD ELÉCTRICA

- **Evite el contacto del cuerpo con las superficies de objetos conectados a tierra,** como tuberías, radiadores, estufas y refrigeradores. Existe un mayor riesgo de descarga eléctrica si el cuerpo está conectado a tierra.
- **Los enchufes de las herramientas eléctricas deben coincidir con el tomacorriente.** Nunca modifique el enchufe de ninguna manera. No use ningún adaptador de enchufe con herramientas eléctricas conectadas a tierra. Los enchufes sin modificar y los tomacorrientes que coinciden reducirán el riesgo de descarga eléctrica.
- **No exponga las herramientas eléctricas a la lluvia ni a condiciones de humedad.** Si entra agua en una herramienta eléctrica, aumentará el riesgo de descarga eléctrica.
- **No maltrate el cable.** Nunca use el cable para transportar, jalar o desenchufar la herramienta eléctrica. Mantenga el cable lejos del calor, el aceite, los bordes afilados y las piezas móviles. Los cables dañados o enredados aumentan el riesgo de descarga eléctrica.
- **Al operar una herramienta eléctrica en el exterior, utilice un cable de extensión adecuado para uso en exteriores.** El uso de un cable adecuado para exteriores reduce el riesgo de descarga eléctrica.
- Use el paquete de baterías de iones de litio EGO que se indican a continuación:

CARGADOR	PAQUETES DE BATERÍAS
CH5500/CH5500-FC Cargador Rápido de 56 v	Batería de 56 V y 2,0 Ah BA1120/BA1120-FC Batería de 56 V y 2,5 Ah BA1400/BA1400-FC Batería de 56 V y 4,0 Ah BA2240/BA2240-FC Batería de 56 V y 5,0 Ah BA2800/BA2800-FC Batería de 56 V y 7,5 Ah BA4200/BA4200-FC

MANTENIMIENTO

- **Asegúrese de que su cargador reciba mantenimiento de un técnico calificado que use únicamente piezas de repuesto idénticas.** Esto garantizará que se mantenga la seguridad del cargador.
- **Al hacer el mantenimiento de un cargador, solo utilice piezas de repuesto idénticas. Siga las instrucciones señaladas en la sección Mantenimiento de este manual.** El uso de piezas no autorizadas o el incumplimiento de las instrucciones de mantenimiento puede generar un riesgo de descarga eléctrica o de lesiones.

REGLAS DE SEGURIDAD DEL CARGADOR

⚠ PRECAUCIÓN: Para reducir el riesgo de descarga eléctrica o daño al cargador y la batería, cargue solo las baterías recargables de ion de litio que se designan específicamente en la etiqueta de su cargador. Es posible que otros tipos de batería exploten y provoquen lesiones personales o daños.

- **Antes de utilizar el cargador de batería,** lea todas las instrucciones y las marcas de precaución del manual y del cargador de batería, la batería y del producto que usa la batería, a fin de evitar el mal uso de los productos y posibles lesiones o daños.
- **No use el cargador en exteriores ni lo exponga a condiciones de humedad.** Si entra agua al cargador aumentará el riesgo de descarga eléctrica.
- **No manipule el cargador, incluidos el enchufe y los terminales del cargador, con las manos húmedas.**
- **El uso de aditamentos que no recomiende o venda el fabricante del cargador la batería puede provocar un riesgo de incendio, descarga eléctrica o lesiones a personas.**
- **Recargue solamente con el cargador especificado por el fabricante.** Es posible que un cargador adecuado para un tipo de paquete de baterías pueda generar un riesgo de incendio cuando se lo utilice con otro paquete de baterías.
- **No maltrate el cable o el cargador.** Nunca use el cable para transportar el cargador. No jale del cable del cargador para desconectar el enchufe del tomacorriente, ya que se pueden producir daños al cable o al cargador que podrían generar un peligro de descarga eléctrica. Reemplace inmediatamente los cables dañados.

- **Asegúrese de que el cable esté ubicado de manera que nadie pueda pisarlo o tropezarse con él y que no entre en contacto con bordes afilados o piezas móviles, o que se vea sometido de cualquier otra manera a daños o tensión.** Esto reducirá el riesgo de caídas accidentales, que pueden causar lesiones y daños al cable y que pueden tener como consecuencia una descarga eléctrica.
- **Mantenga el cable y el cargador lejos del calor, a fin de evitar daños a la carcasa o a las piezas internas.**
- **No permita que las piezas de plástico entren en contacto con gasolina, aceites, productos a base de petróleo, etc.** Estos materiales contienen químicos que pueden dañar, debilitar o destruir el plástico.
- **No utilice el cargador si el cable o el enchufe están dañados, ya que podría provocar un cortocircuito o riesgo de descarga eléctrica.** En caso de daño, lleve el cargador a un servicio técnico autorizado en un centro de servicio de EGO para repararlo o reemplazarlo.
- **No utilice el cargador si este recibió un golpe fuerte, se cayó o ha recibido daño de cualquier otra manera.** Llévelo a un servicio técnico autorizado para realizarle una revisión eléctrica que determine si el cargador está en buenas condiciones de funcionamiento.
- **No desarme el cargador.** Llévelo a un servicio técnico autorizado cuando necesite mantenimiento o reparación. El ensamblado incorrecto puede provocar un riesgo de descarga eléctrica o incendio.
- **Desenchufe el cargador del tomacorriente eléctrico antes de intentar dar cualquier tipo de mantenimiento o limpieza, a fin de evitar el riesgo de descarga eléctrica.**
- **Desconecte el cargador del suministro eléctrico cuando no esté en uso.** Esto reducirá el riesgo de descarga eléctrica o daño al cargador si caen artículos de metal en la abertura. También ayudará a evitar el daño al cargador durante una sobrecarga eléctrica.
- **Riesgo de descarga eléctrica.** No toque la parte aislada del conector de salida ni la terminal aislada de la batería.
- **Guarde estas instrucciones.** Consúltelas con frecuencia y úselas para dar instrucciones a otras personas que puedan usar esta herramienta. Si le presta esta herramienta a alguien, préstele también estas instrucciones para evitar el mal uso del producto y posibles lesiones.

INSTRUCCIONES IMPORTANTES DE SEGURIDAD

- **Guarde estas instrucciones.** Este manual contiene instrucciones importantes de seguridad y operación para el cargador rápido CH5500/CH5500-FC de 56 V.
- **Antes de usar el cargador de batería, lea todas las instrucciones y marcas de precaución en este manual, en la batería y en el producto que usa la batería.**

⚠ ADVERTENCIA: Al usar aparatos, siempre se deben respetar las siguientes medidas de precaución básicas:

- Para reducir el riesgo de lesiones, es necesaria la supervisión cercana cuando se use el aparato cerca de niños.
- Solo use aditamentos que recomienda o venda el fabricante.
- No use el cargador en exteriores.
- Para aparatos portátiles: para reducir el riesgo de descarga eléctrica, no coloque el cargador en el agua ni en otro líquido. No coloque ni guarde el aparato donde pueda caer o ser jalado hacia una bañera o fregadero.

⚠ PRECAUCIÓN: Para reducir el riesgo de lesiones, cargue solo las baterías recargables de ion de litio. Es posible que otros tipos de batería exploten y provoquen lesiones personales o daños.

INTRODUCCIÓN

Felicitaciones por elegir un cargador rápido de 56 V de última generación. Está pensada, diseñada y fabricada para brindarle el mejor rendimiento y confiabilidad posibles.

En caso de que tuviera algún problema que no pudiera resolver fácilmente, comuníquese con el Centro de Servicio al Cliente de EGO al 1-855-EGO-5656.

Este manual contiene información importante para el ensamblaje, la operación y el mantenimiento seguros del cargador rápido. Léalo atentamente antes de usar la cargador. Mantenga este manual a mano para poder consultarlo en cualquier momento.

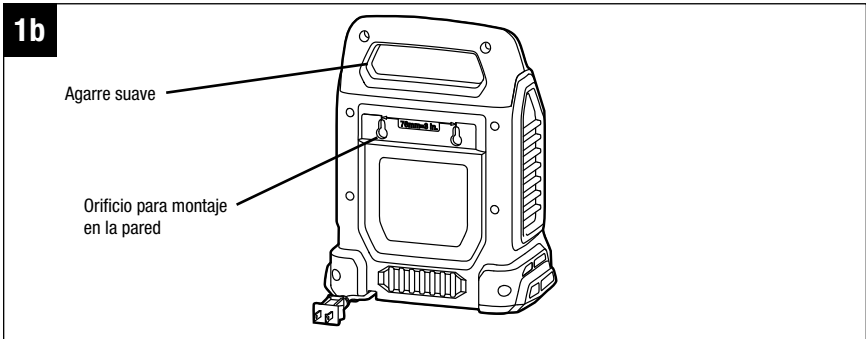
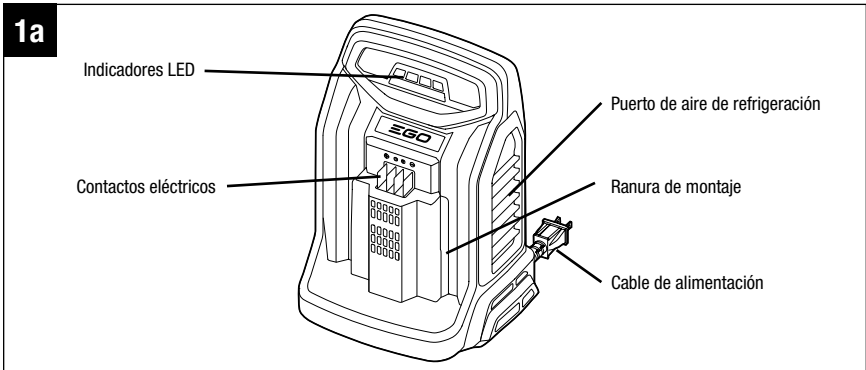
NÚMERO DE SERIE _____	FECHA DE COMPRA _____
DEBE ANOTAR EL NÚMERO DE SERIE Y LA FECHA DE COMPRA, Y CONSERVARLOS EN UN LUGAR SEGURO PARA CONSULTARLOS EN EL FUTURO. PLACE FOR FUTURE REFERENCE	

ESPECIFICACIONES

Entrada del cargador	120 V~60 Hz, 550 W
Salida del cargador	56 V, máx. 7500 mAh, paquete de baterías de ion de litio recargable
Tiempo de carga rápida	Aproximadamente 25 minutos para el paquete de baterías BA1120/BA1120-FC, 30 minutos para el paquete de baterías BA1400/BA1400-FC, 30 minutos para el paquete de baterías BA2240/BA2240-FC, 40 minutos para el paquete de baterías BA2800/BA2800-FC, 60 minutos para el paquete de baterías BA4200/BA4200-FC
Temperatura ambiente recomendada para cargar	Entre 5 °C y 40 °C (entre 41 °F y 104 °F)
Peso del cargador	4.21 lb (1,91 kg)

DESCRIPCIÓN

CONOZCA SU CARGADOR (Fig. 1a y 1b)



INDICADORES LED: indican el estado de carga.

RANURA DE MONTAJE: orienta el paquete de baterías cuando está instalado en el cargador.

ORIFICIO PARA MONTAJE EN LA PARED: permite un almacenamiento práctico en la pared.

⚠ ADVERTENCIA: El uso seguro de este producto requiere la comprensión de la información impresa en la herramienta y en el Manual del usuario así como ciertos conocimientos sobre el proyecto a realizar. Antes de usar este producto, familiarícese con todas las características de operación y normas de seguridad.

OPERACIÓN

CÓMO CARGAR EL PAQUETE DE BATERÍAS

⚠ ADVERTENCIA: No use el cargador en exteriores ni lo exponga a condiciones de humedad. Si entra agua al cargador aumentará el riesgo de descarga eléctrica.

AVISO: Los paquetes de baterías de iones de litio se envían parcialmente cargados. Antes de usarlo por primera vez, cárguelo completamente.

1. Conecte el cargador al suministro eléctrico (120 V~, 60 Hz). Los cuatro LED indicadores de carga emiten una luz verde durante un lapso breve, lo que indica que el cargador funciona correctamente.

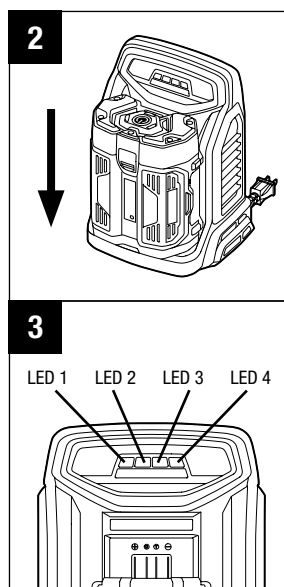
2. Alinee las aletas elevadas del paquete de baterías con las ranuras de montaje del cargador y deslice el paquete de baterías en el cargador (Fig. 2).

3. El cargador se comunicará con el paquete de baterías para evaluar su condición.

4. Cuando el paquete de baterías se está cargando, los cuatro LED indicadores de encendido en el cargador emiten una luz verde en secuencia, de izquierda a derecha, para indicar el nivel de carga; consulte la Fig. 3. El indicador de encendido en el paquete de baterías parpadeará en la siguiente secuencia: rojo, anaranjado y verde. El ventilador del cargador funciona de manera continua para enfriar el paquete de baterías.

5. Cuando la batería está completamente cargada, los cuatro LED indicadores de carga dejan de alternarse y emiten una luz verde de manera continua. El indicador de encendido del paquete de baterías se apagará. Espere hasta que el ventilador de enfriamiento se detenga, retire el paquete de baterías del cargador y desconecte el cargador del suministro eléctrico.

6. El paquete de baterías se cargará completamente si se lo deja en el cargador, pero no se sobrecargará. Si el paquete de baterías permanece en el cargador durante un mes o más, realizará automantenimiento y descenderá al 30 % de la capacidad de carga. Si esto sucede, vuelva a instalar el paquete de baterías en el cargador para recargarlo completamente.



AVISO:

- Un tiempo de funcionamiento considerablemente reducido luego de haber cargado el paquete de baterías completamente indica que las baterías están por cumplir su vida útil y deben reemplazarse.
- Es posible que el cargador se caliente durante la carga. Esto es parte del funcionamiento normal del cargador. Cargue la batería en un área bien ventilada.

FUNCIONES LED DEL CARGADOR (Fig. 3)

INDICADOR LED	PAQUETE DE BATERÍAS	LED EN EL CARGADOR				INDICADOR DE ENCENDIDO DEL PAQUETE DE BATERÍAS	ENERGÍA DE LA BATERÍA	ACCIÓN
		LED 1	LED 2	LED 3	LED 4			
	Defectuosa	Luz roja intermitente o apagada	Apagada	Apagada	Apagada	Apagada	—	El paquete de baterías o el cargador están defectuosos.
	Batería fría/caliente	Luz roja	Apagada	Apagada	Apagada	Apagada	—	La carga comenzará cuando la batería vuelva a estar los entre 37 °F (3 °C) y los 135 °F (57 °C)
	Cargando	Luz verde intermitente	Apagada	Apagada	Apagada	Luz roja intermitente, anaranjada y verde alternativamente	Menos que el 25 %	Cargando
		Luz verde alternativamente		Apagada	Apagada		25 % a 50 %	Cargando
		Luz verde alternativamente			Apagada		50 % a 75 %	Cargando
		Luz verde alternativamente					75 % a 90 %	Cargando
	Totalmente cargada	Luz verde continuamente				Apagada	90 % a 100 %	La carga está completa. Carga de mantenimiento.
—	Automantenimiento	Luz verde intermitente de forma rápida				Apagada	Aprox. 30 %	El paquete de baterías está realizando el automantenimiento o se encuentra en modo inactivo. Vuelva a instalar el paquete de baterías en el cargador para recargarlo completamente.

CARGA DE UN PAQUETE DE BATERÍAS CALIENTE O FRÍO

Si el paquete de baterías está fuera del rango normal de temperatura, el LED 1 se encenderá en color rojo. Cuando la batería se enfríe hasta aproximadamente los 57 °C (135 °F) o se caliente a más de 3 °C (37 °F), el cargador comenzará a cargar de manera automática y los 4 LED funcionarán normalmente en secuencia.

EL PAQUETE DE BATERÍAS O EL CARGADOR ESTÁN DEFECTUOSOS.

Si el cargador detecta un problema, la luz LED 1 comenzará a parpadear en color rojo o se apagarán todos los LED.

1. Si se registra como defectuosa, retírela y vuelva a insertar el paquete de baterías en el cargador. Si los LED aún indican “defectuoso” por segunda vez, intente cargar un paquete de baterías diferente.
2. Si un paquete de baterías diferente se carga con normalidad, deseche el paquete de baterías defectuoso (consulte las instrucciones en el manual del paquete de batería).
3. Si con una batería diferente también se indica “defectuosa”, desconecte el cargador y espere hasta que el LED 1 intermitente se apague, y luego vuelva a conectar el enchufe al suministro eléctrico. Si el LED 1 en el cargador aún indica que la batería está defectuosa, es posible que el cargador esté defectuoso.

ORIFICIOS PARA MONTAJE EN LA PARED

El cargador cuenta con orificios para colgar que permiten un almacenamiento práctico (Fig. 1). Instale tornillos en la pared a 3 pulg (76 mm) de distancia. Utilice tornillos lo suficientemente resistentes como para soportar el peso combinado del cargador y del paquete de baterías (aproximadamente 10.6 lb).

MANTENIMIENTO

⚠ ADVERTENCIA: Para evitar lesiones personales graves, retire siempre el paquete de baterías de la herramienta cuando realice limpieza o cualquier tipo de mantenimiento.

⚠ ADVERTENCIA: Cuando realice el mantenimiento, solo utilice piezas de repuesto de EGO idénticas. El uso de otras piezas puede generar un peligro o dañar el producto.

⚠ ADVERTENCIA: No se recomienda el uso de aire comprimido seco como método de limpieza del cargador. Si el único método de limpieza disponible es el aire comprimido seco, use siempre gafas protectoras o anteojos de seguridad con protección lateral cuando utilice el aire comprimido para limpiar la herramienta. Si la operación libera polvo, use también una máscara antipolvo.

MANTENIMIENTO GENERAL

Evite el uso de solventes para limpiar las partes de plástico. La mayoría de los plásticos son susceptibles a diferentes tipos de solventes comerciales y pueden resultar dañados por el uso de dichos solventes. Utilice paños limpios para eliminar la suciedad, el polvo, el aceite, la grasa, etc.

⚠ ADVERTENCIA: No permita en ningún momento que las partes plásticas entren en contacto con líquidos de freno, gasolina, productos a base de petróleo, aceites penetrantes, etc. Los químicos pueden dañar, debilitar o destruir el plástico, lo que puede resultar en lesiones personales graves.

⚠ ADVERTENCIA: Al hacer el mantenimiento, solo utilice piezas de repuesto de EGO idénticas. El uso de otras piezas puede generar un peligro o dañar el producto. Para garantizar la seguridad y fiabilidad, todas las reparaciones deben ser realizadas por un técnico de servicio calificado en un centro de servicio de EGO.

SOLUCIÓN DE PROBLEMAS

PROBLEMA	CAUSA	SOLUCIÓN
El cargador no funciona. El LED 1 se enciende de color rojo o todos los LED se apagan.	El paquete de baterías o el cargador están defectuosos o hay una mala conexión entre el paquete de baterías y el cargador.	<ol style="list-style-type: none">1. Intente retirar el paquete de baterías y volver a instalarlo en el cargador.2. Intente cargar un paquete de baterías diferente.3. Desconecte el cargador y espere hasta que el LED de color rojo se apague, luego vuelva a conectar el enchufe al suministro eléctrico.
El cargador no funciona y el LED 1 se enciende de color rojo.	El paquete de baterías está muy caliente o muy frío.	Deje que el paquete de baterías alcance una temperatura normal. La carga comenzará cuando el paquete de baterías vuelva a estar entre los 3 °C (37 °F) y los 57 °C (135 °F).

GARANTÍA

POLÍTICA DE GARANTÍA

Garantía limitada de 3 años para los cargadores y las baterías del Sistema EGO Power+.

Póngase en contacto con Servicio al Cliente de EGO de manera gratuita al 1-855-EGO-5656, cuando tenga preguntas o reclamaciones de garantía.

GARANTÍA LIMITADA DE SERVICIO

El cargador y las baterías del Sistema EGO Power+ están garantizados contra defectos en los materiales y la mano de obra POR TRES AÑOS desde la fecha de su compra original. El producto defectuoso se reparará de manera gratuita.

- a) Esta garantía se aplica solo al comprador original del distribuidor minorista autorizado de EGO y podría no ser transferible. Los distribuidores minoristas autorizados de EGO se identifican en línea, en <http://egopowerplus.com/pages/warranty-policy>.
- b) El período de garantía para cualquier producto, cargador y batería EGO para propósitos industriales, profesionales o comerciales es de un año.
- c) El período de garantía para productos reacondicionados o reparados utilizados con fines residenciales es de 1 año, y para propósitos industriales, profesionales o comerciales es de 90 días.
- d) El período de garantía para piezas del mantenimiento de rutina, incluidas, entre otras, cuchillas, cabezales de orilladoras, listones de cadenas, cadenas de motosierras, correas, barras raspadoras, boquillas de sopladores y todos los demás accesorios EGO, es de 90 días con fines residenciales y de 30 días para propósitos industriales, profesionales o comerciales. Estas piezas tienen cobertura durante 90/30 días por defectos de fabricación en condiciones normales de trabajo.
- e) Esta garantía queda nula si el producto se ha puesto en alquiler.
- f) Esta garantía no cubre daños producto de modificaciones, alteraciones o reparaciones no autorizadas.

- g) Esta garantía solo cubre defectos que surjan del uso normal y no cubre el mal funcionamiento, las fallas ni los defectos que resulten del mal uso, el abuso (que incluye la sobrecarga del producto más allá de su capacidad y sumergirlo en agua o en cualquier otro líquido), accidentes, negligencia o falta de instalación adecuada y mantenimiento o almacenamiento inadecuados.
- h) Esta garantía no cubre el deterioro normal del acabado exterior, incluidos, entre otros, rayones, abolladuras, trozos de pintura o cualquier corrosión o decoloración producida por el calor o limpiadores químicos y abrasivos.

CÓMO OBTENER EL SERVICIO

Para obtener el servicio de garantía, póngase en contacto con Servicio al Cliente de EGO de manera gratuita al **1-855-EGO-5656**. Cuando pida un servicio cubierto por la garantía, debe presentar el recibo con la fecha original de venta. Un centro de servicio autorizado será seleccionado para reparar el producto de acuerdo con los términos establecidos en la garantía. Cuando lleve el producto al centro de servicio autorizado, es posible que deba hacer un pequeño depósito cuando deje la herramienta. Este depósito se reembolsará cuando se considere que el servicio de reparación se haya cubierto con la garantía.

LIMITACIONES ADICIONALES

En la medida en que lo permita la ley aplicable, se rechazan todas las garantías implícitas, incluidas las garantías de COMERCIALIZIDAD o IDONEIDAD PARA UN FIN EN PARTICULAR. Cualquier garantía implícita, incluidas las garantías de comerciabilidad o idoneidad para cualquier fin en particular, que no pueda ser rechazada según la ley estatal está limitada a tres años desde la fecha de compra para el cargador y las baterías.

Chervon North America no se hará responsable por daños directos, indirectos, accidentales o resultantes.

Algunos estados no permiten limitaciones con respecto a la duración de una garantía implícita y/o no permiten la exclusión o limitación de daños accidentales o resultantes, de modo que las limitaciones antes descritas podrían no aplicarse en su caso.

Esta garantía le otorga derechos legales específicos, pero podría tener también otros derechos que varían según el estado.

Para obtener el servicio al cliente, póngase en contacto con nosotros de manera gratuita al: **1-855-EGO-5656** o visite: **EGOPOWERPLUS.COM**
EGO Customer Service, 120 Ionia Street SW / Suite 102 Grand Rapids, MI 49503