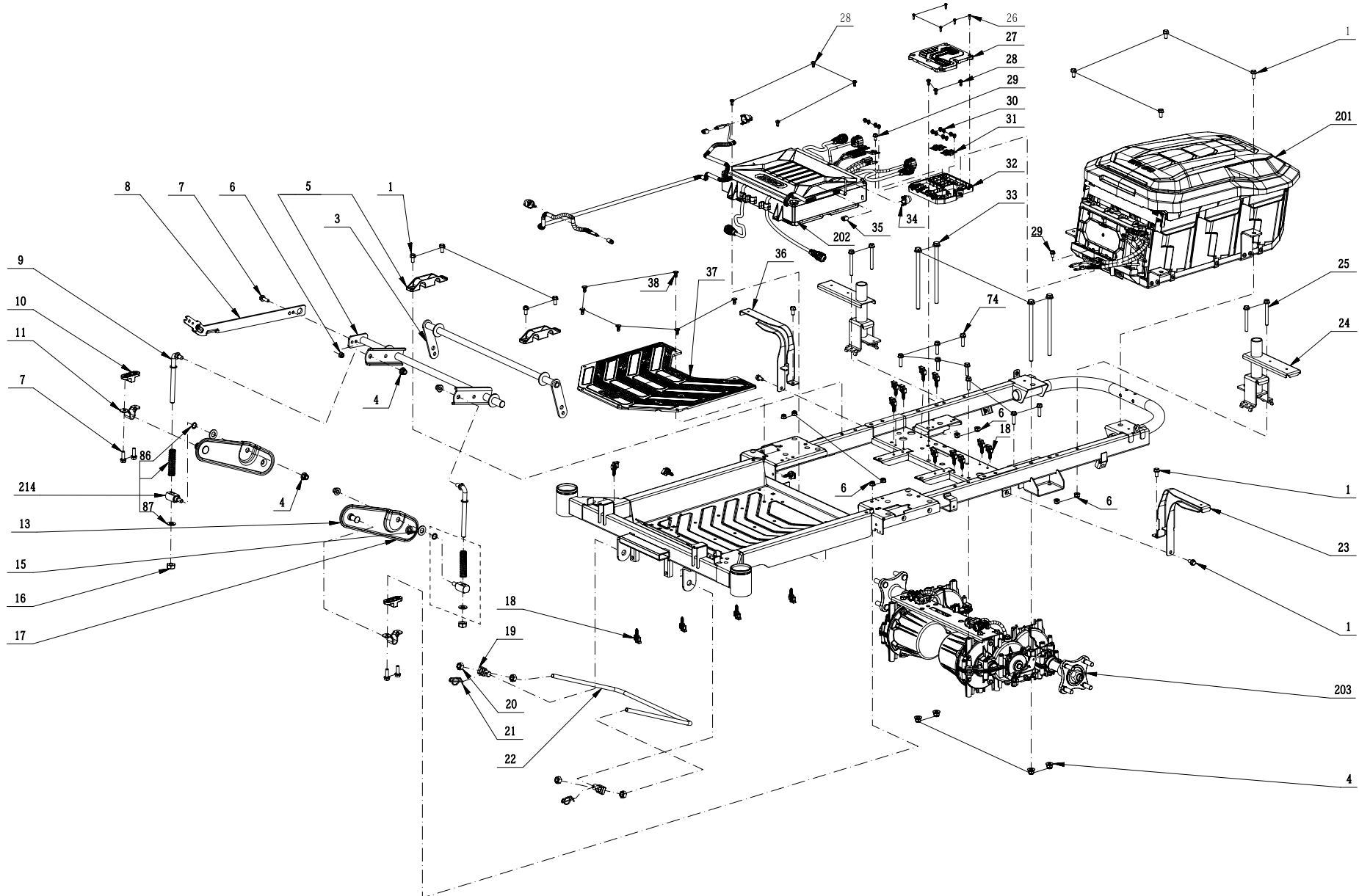


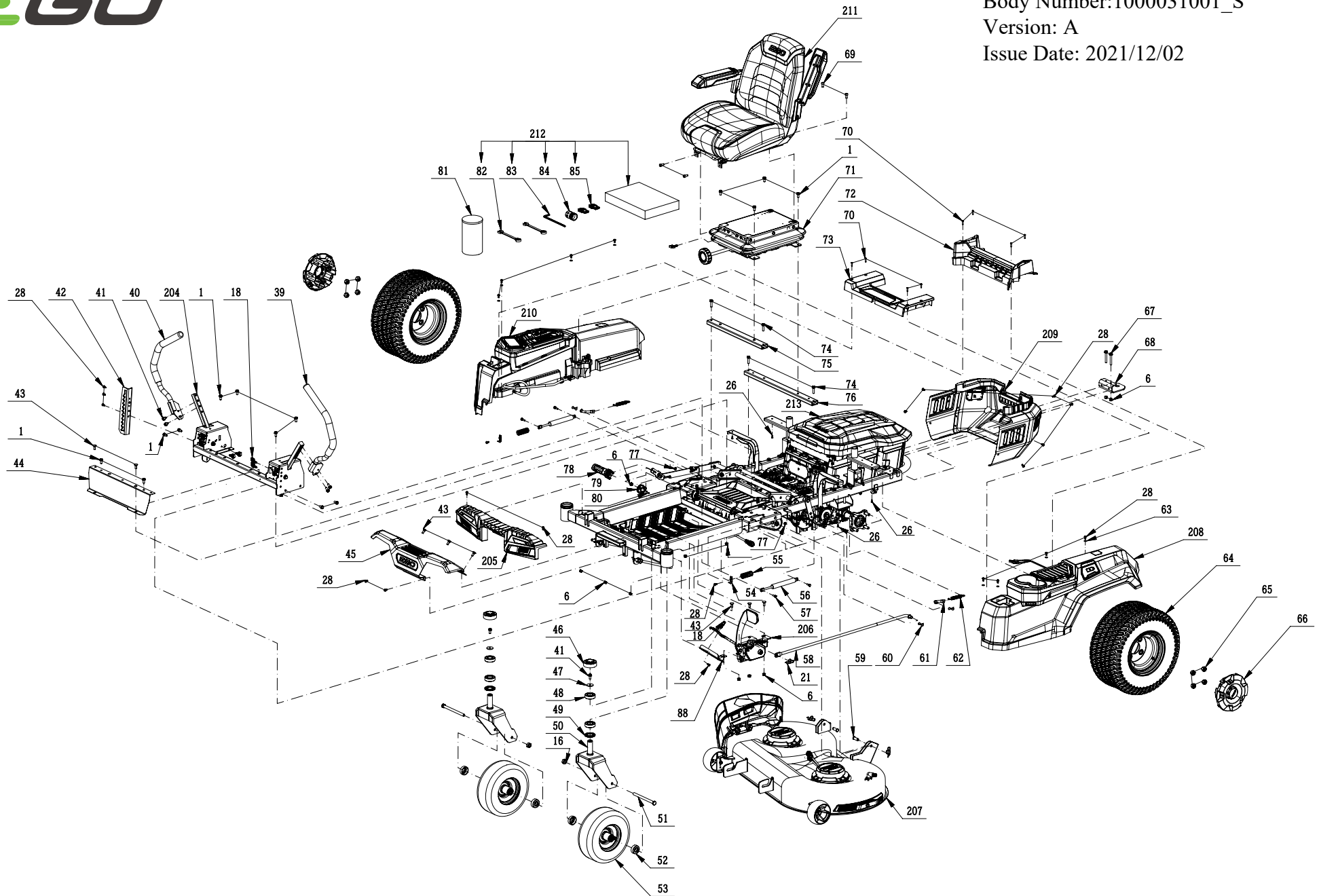


Product Description: Zero Turn Riding Mower
Model Number: ZT4200L
Body Number: 1000031001_S
Version: A
Issue Date: 2021/12/02





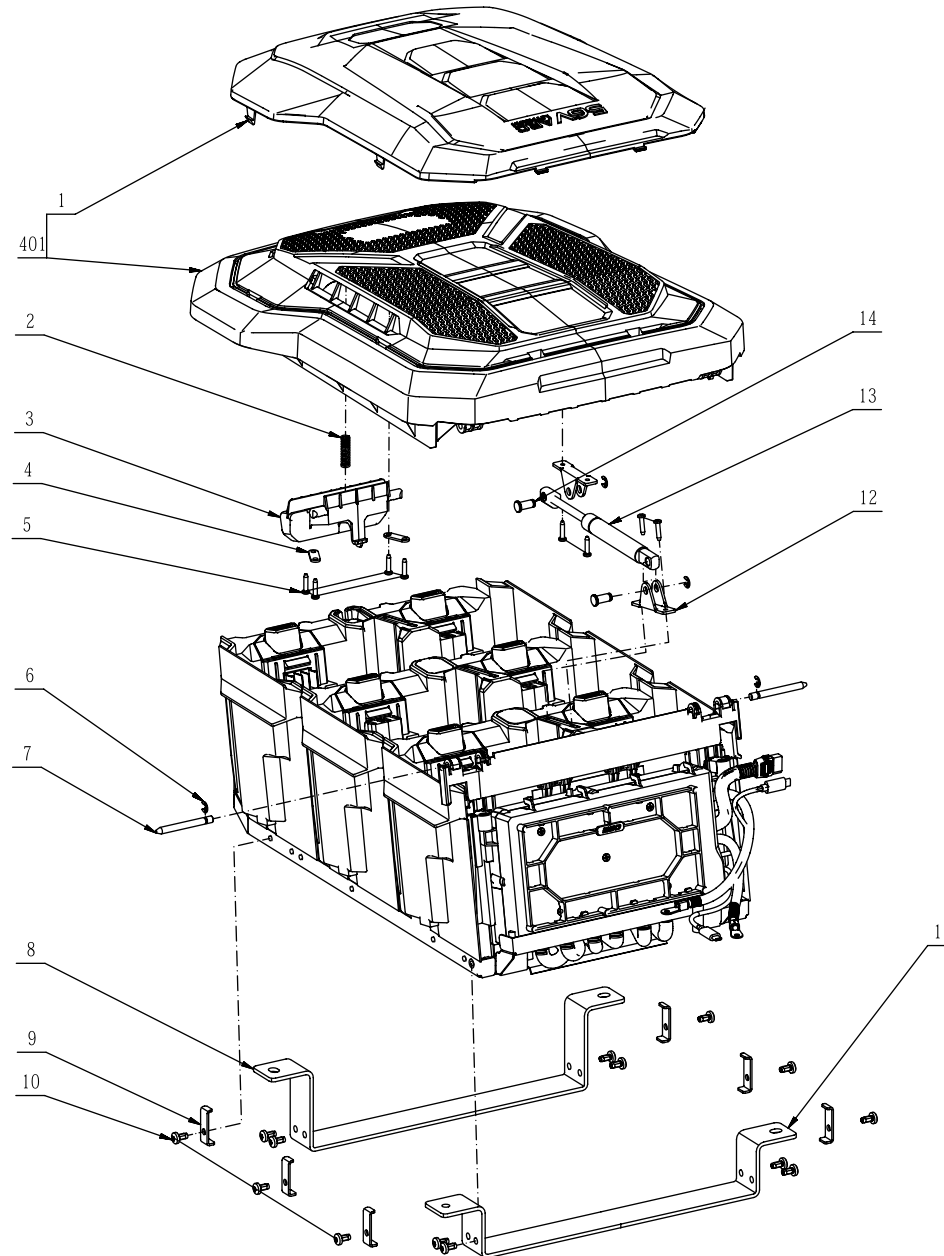
Product Description: Zero Turn Riding Mower
Model Number: ZT4200L
Body Number: 1000031001_S
Version: A
Issue Date: 2021/12/02





Product Description: Zero Turn Riding Mower
Model Number: ZT4200L
Body Number: 1000031001_S
Version: A
Issue Date: 2020/11/06

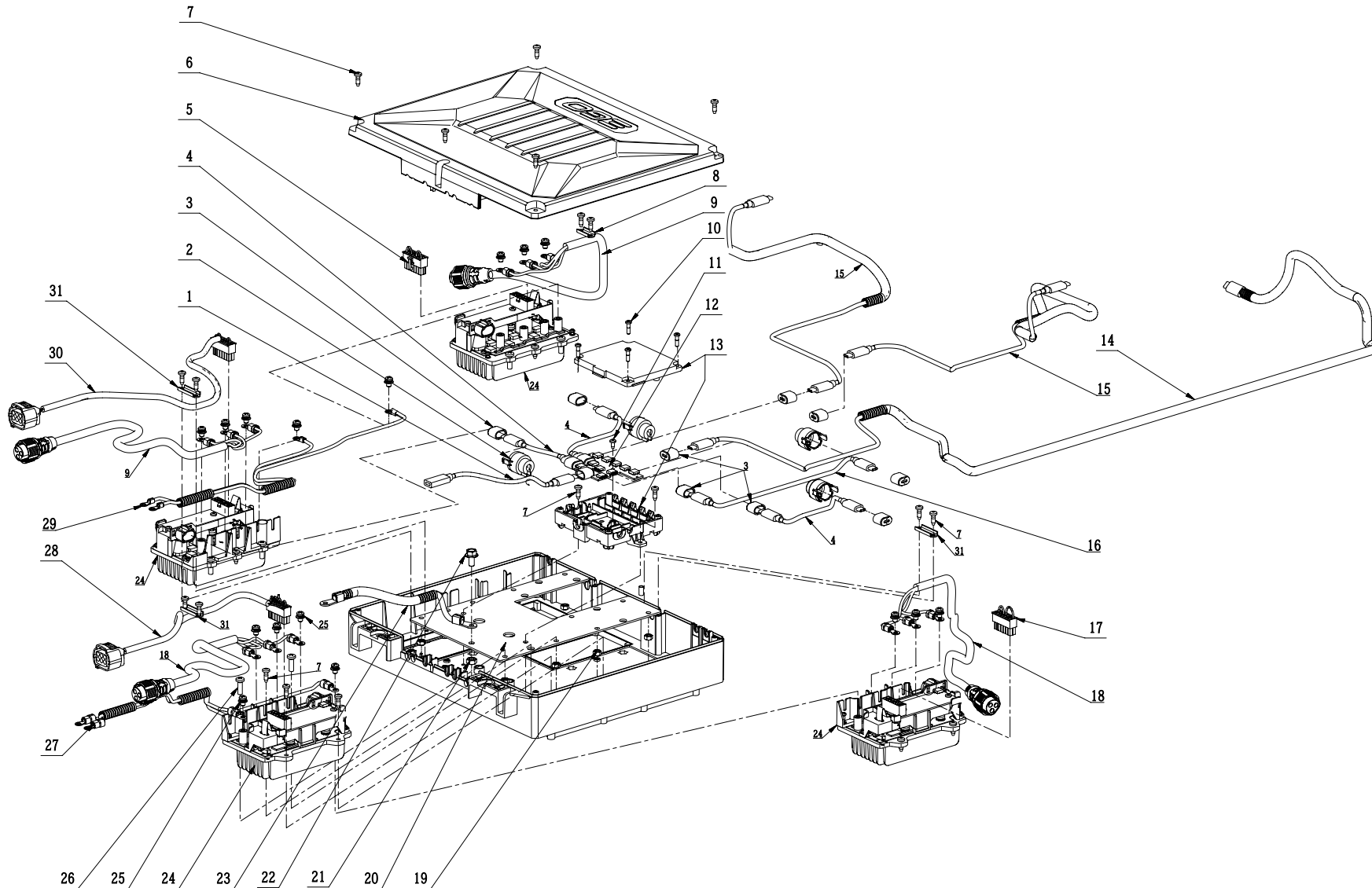
201





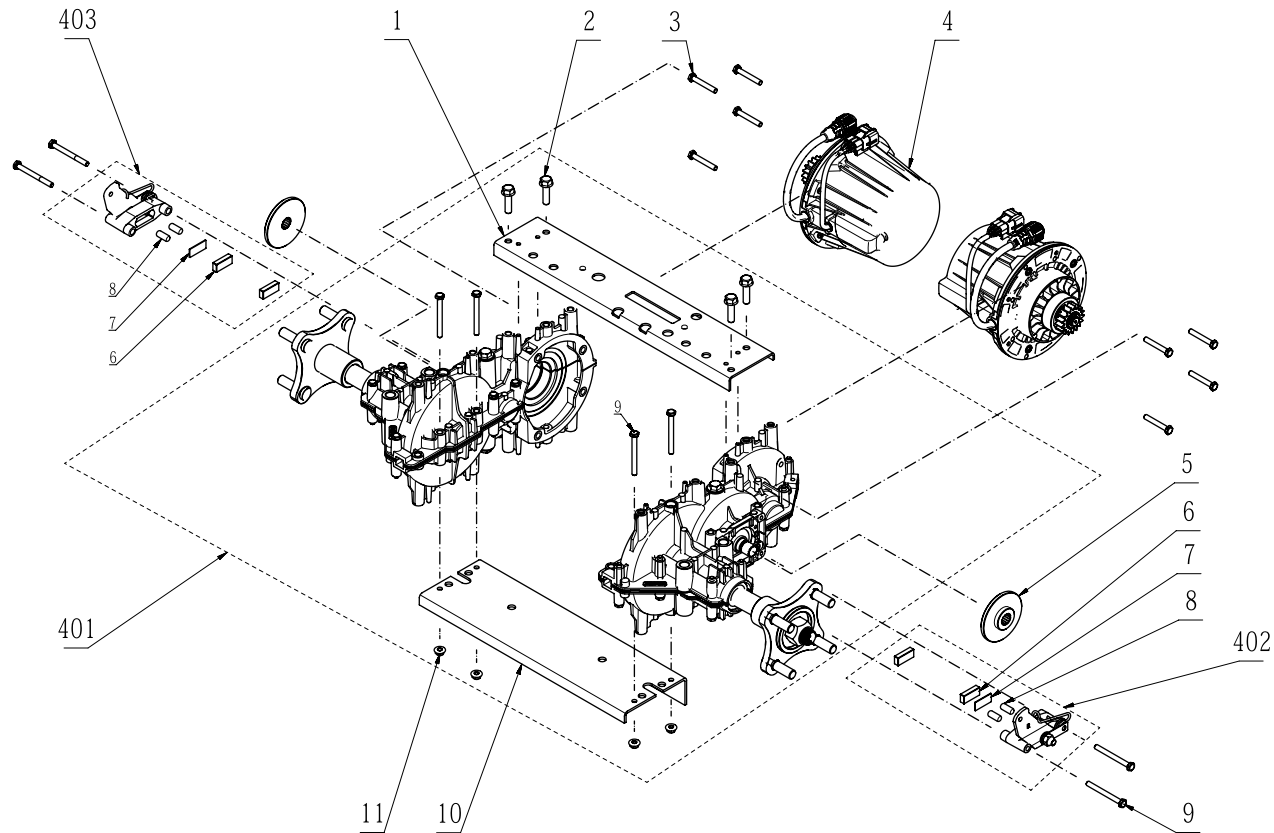
Product Description: Zero Turn Riding Mower
Model Number: ZT4200L
Body Number: 1000031001_S
Version: A
Issue Date: 2021/12/02

202





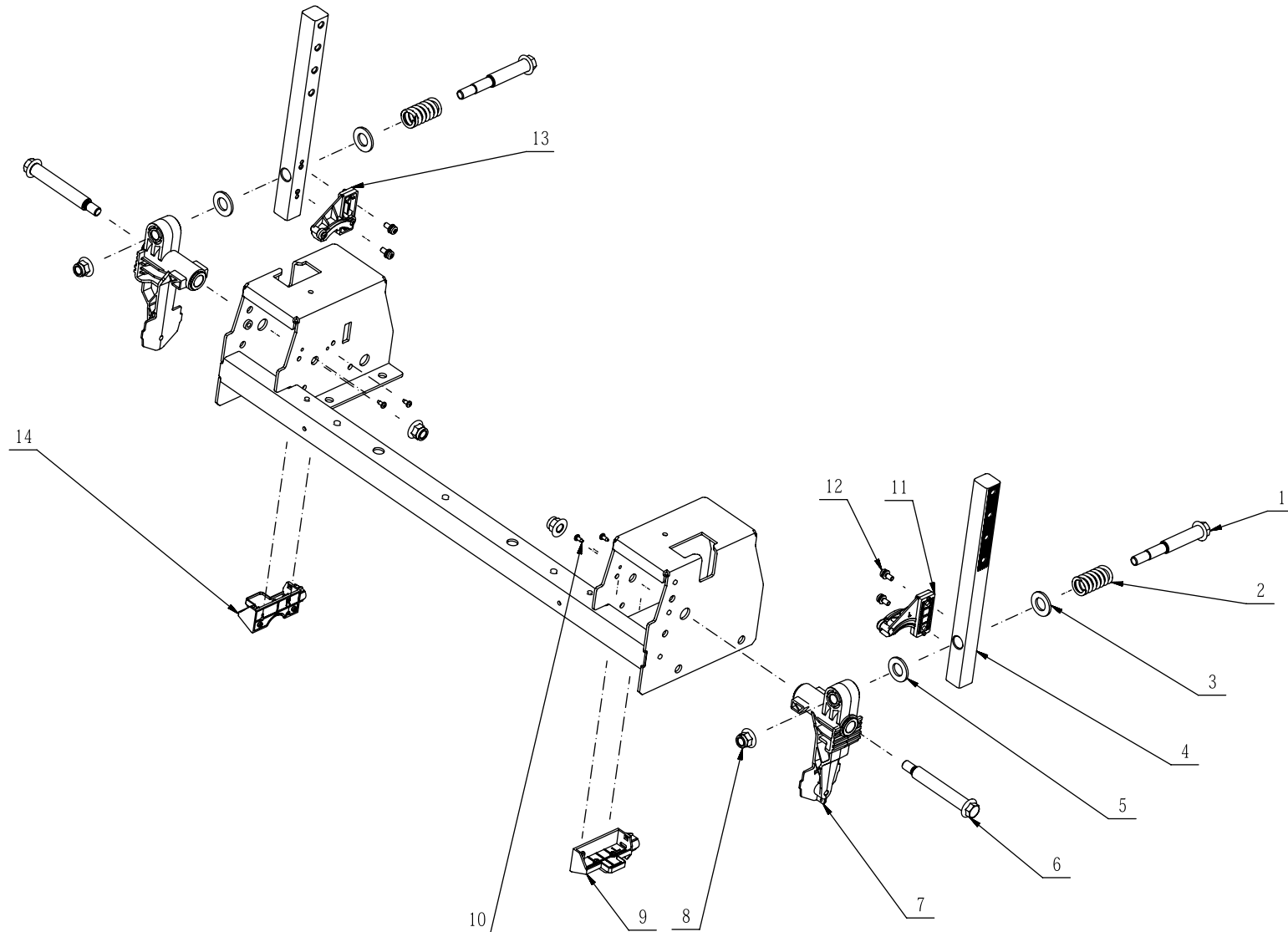
Product Description: Zero Turn Riding Mower
Model Number: ZT4200L
Body Number: 1000031001_S
Version: A
Issue Date: 2020/11/06





Product Description: Zero Turn Riding Mower
Model Number: ZT4200L
Body Number: 1000031001_S
Version: A
Issue Date: 2020/11/06

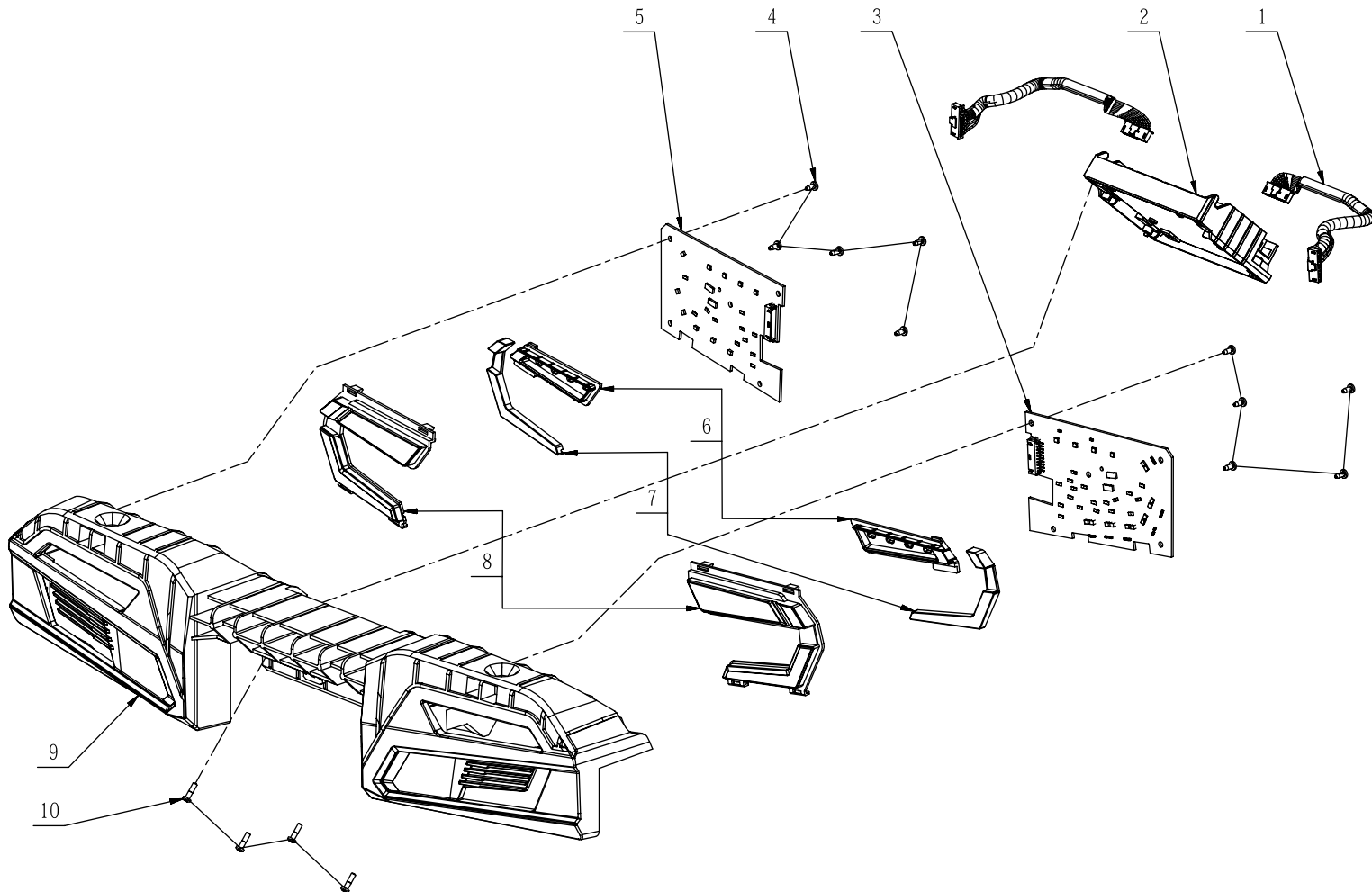
204





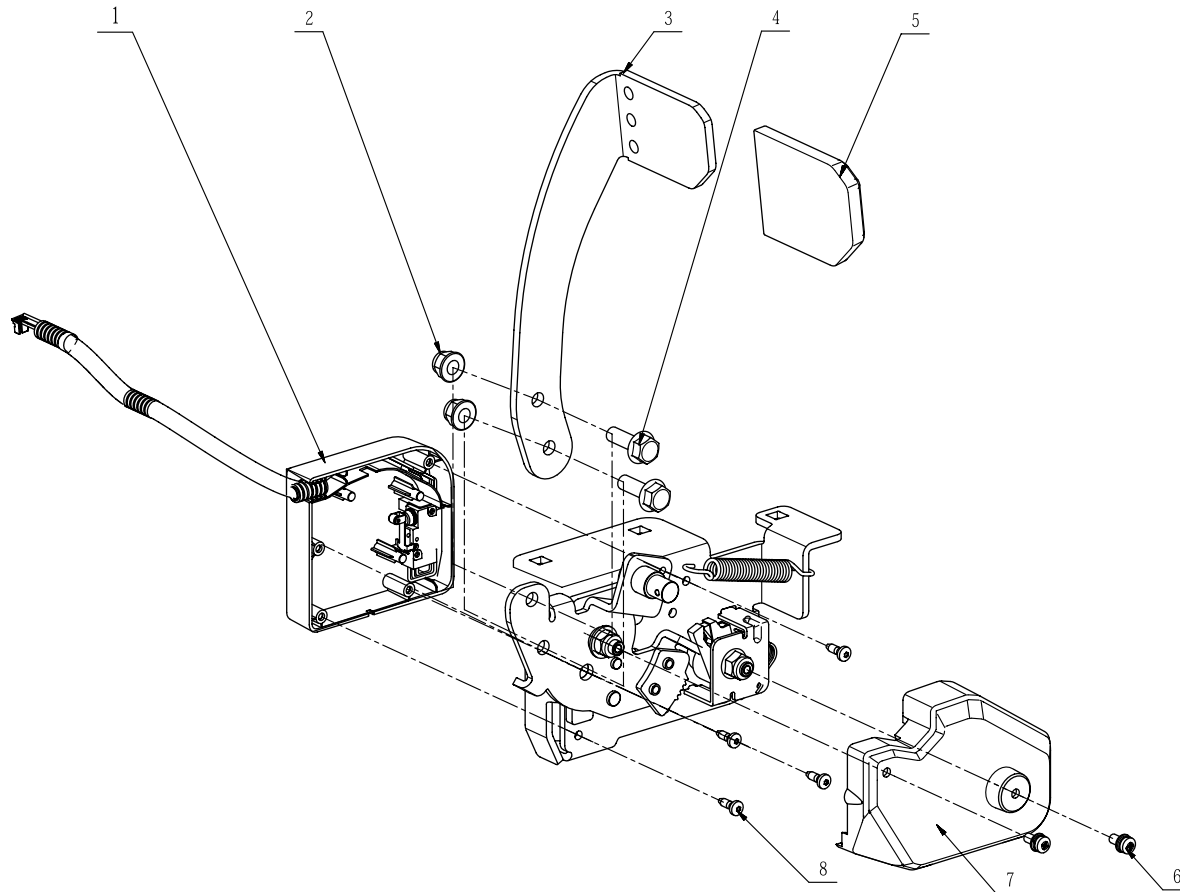
Product Description: Zero Turn Riding Mower
Model Number: ZT4200L
Body Number: 1000031001_S
Version: A
Issue Date: 2020/11/06

205





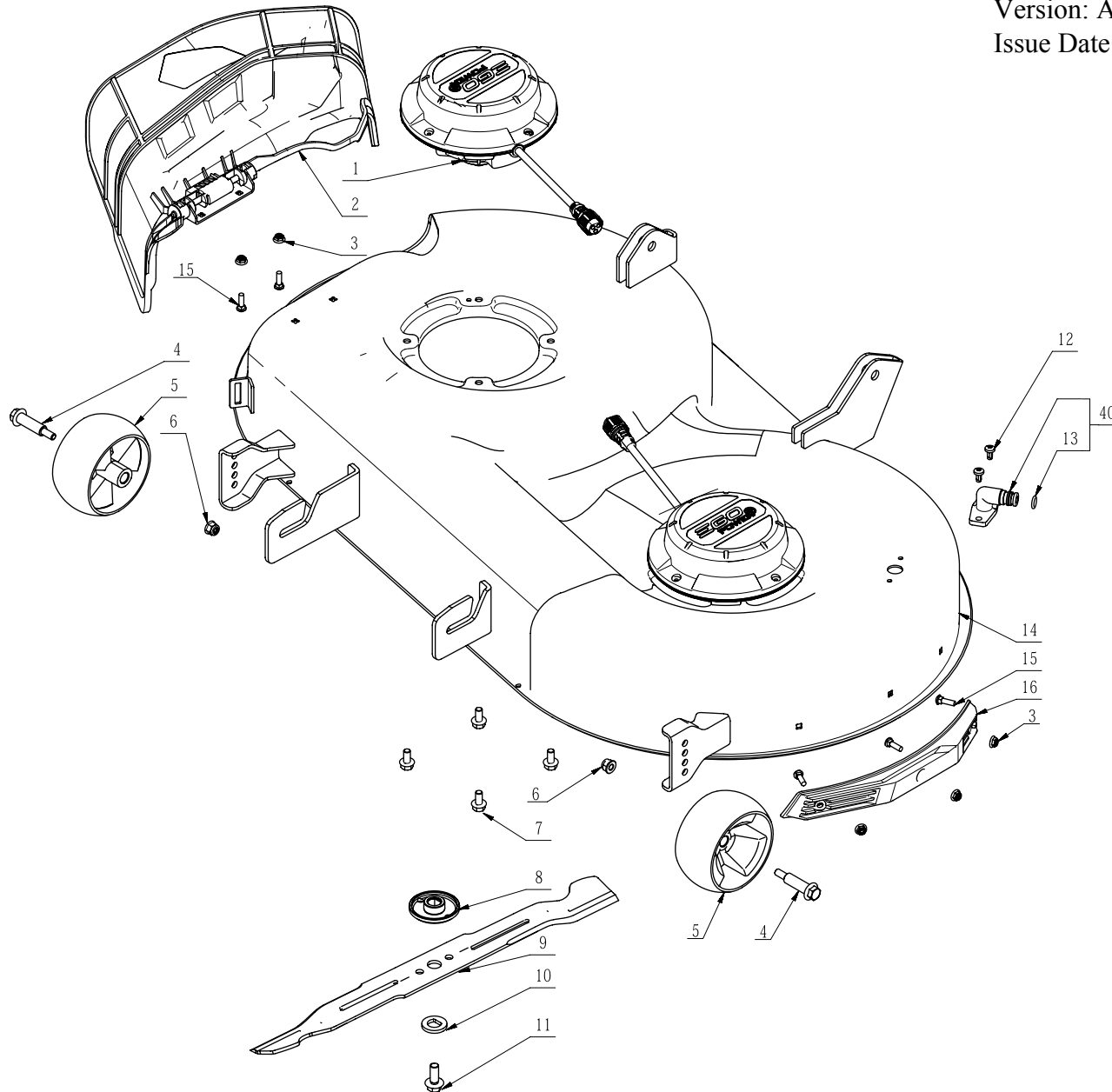
Product Description: Zero Turn Riding Mower
Model Number: ZT4200L
Body Number: 1000031001_S
Version: A
Issue Date: 2020/11/06





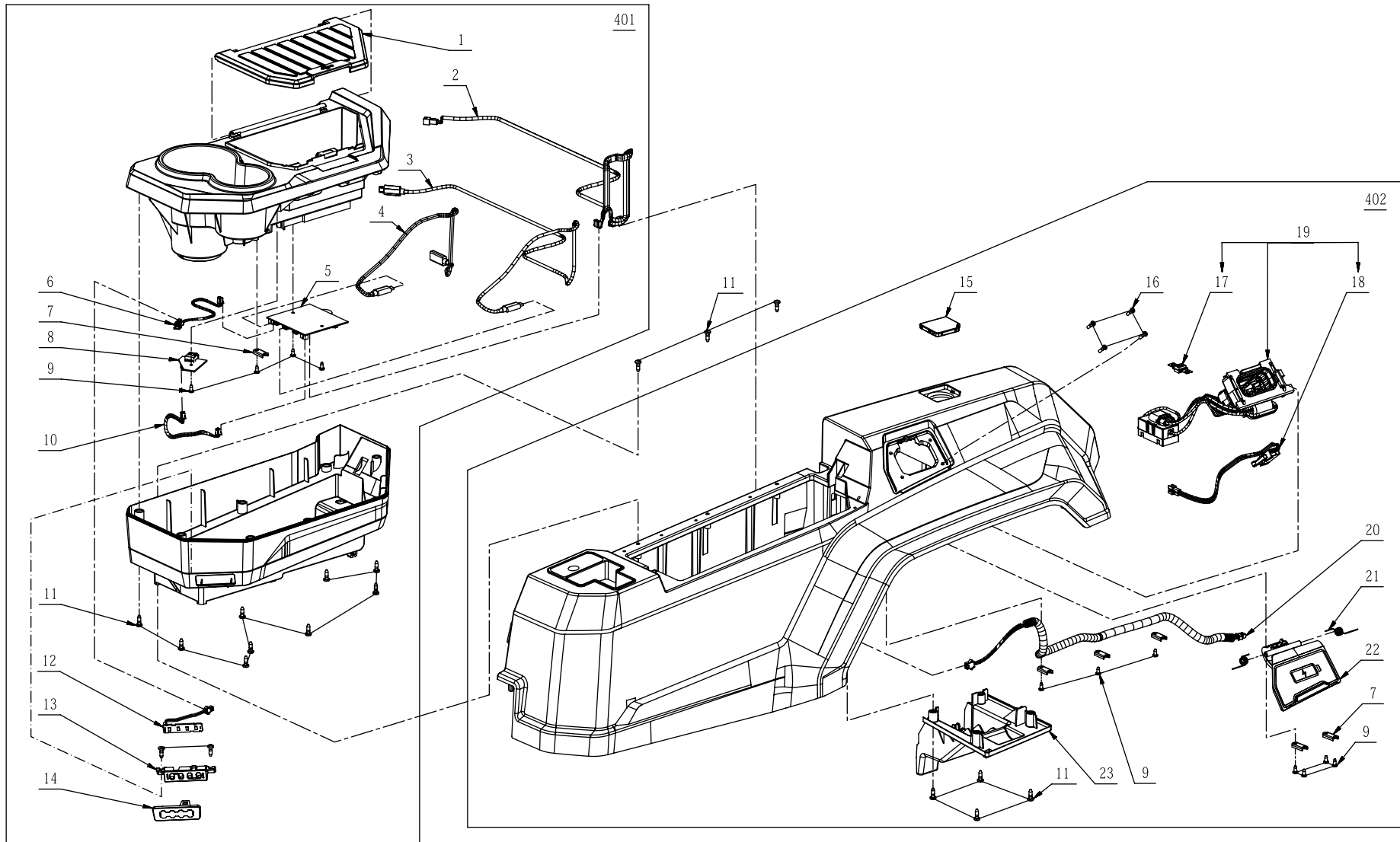
Product Description: Zero Turn Riding Mower
Model Number: ZT4200L
Body Number: 1000031001_S
Version: A
Issue Date: 2020/11/06

207





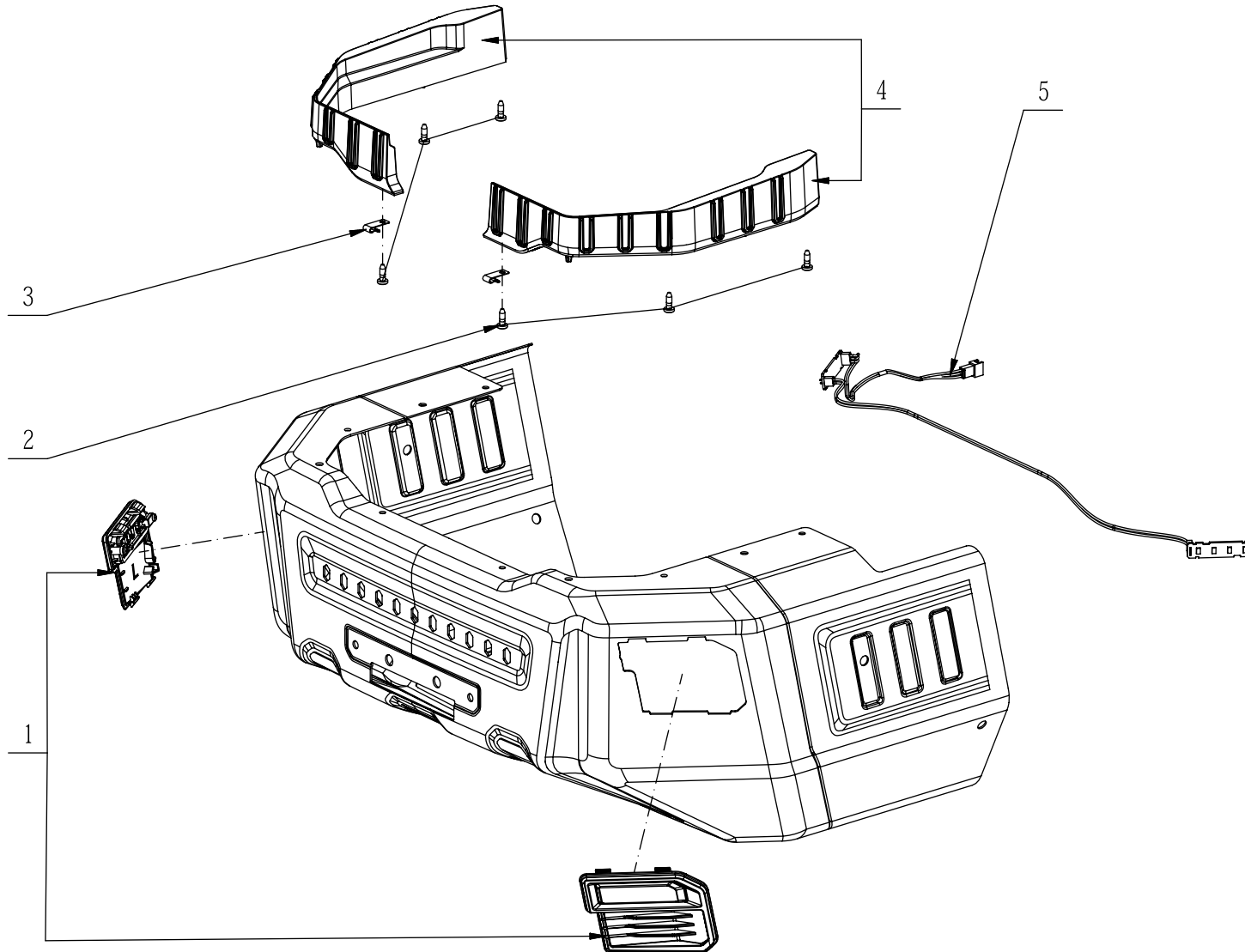
Product Description: Zero Turn Riding Mower
Model Number: ZT4200L
Body Number: 1000031001_S
Version: A
Issue Date: 2020/11/06





Product Description: Zero Turn Riding Mower
Model Number: ZT4200L
Body Number: 1000031001_S
Version: A
Issue Date: 2020/11/06

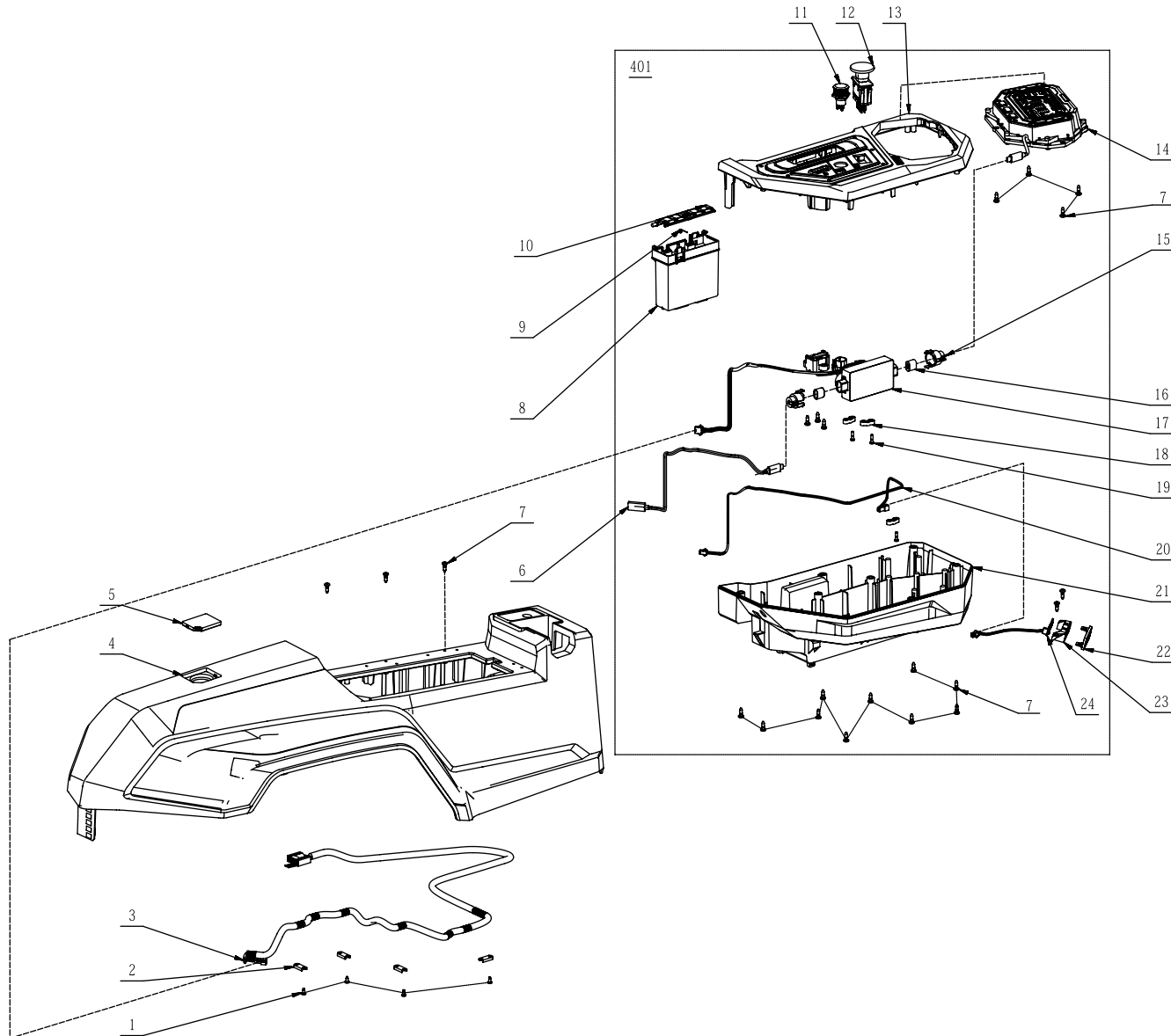
209





Product Description: Zero Turn Riding Mower
Model Number: ZT4200L
Body Number: 1000031001_S
Version: A
Issue Date: 2022/03/16

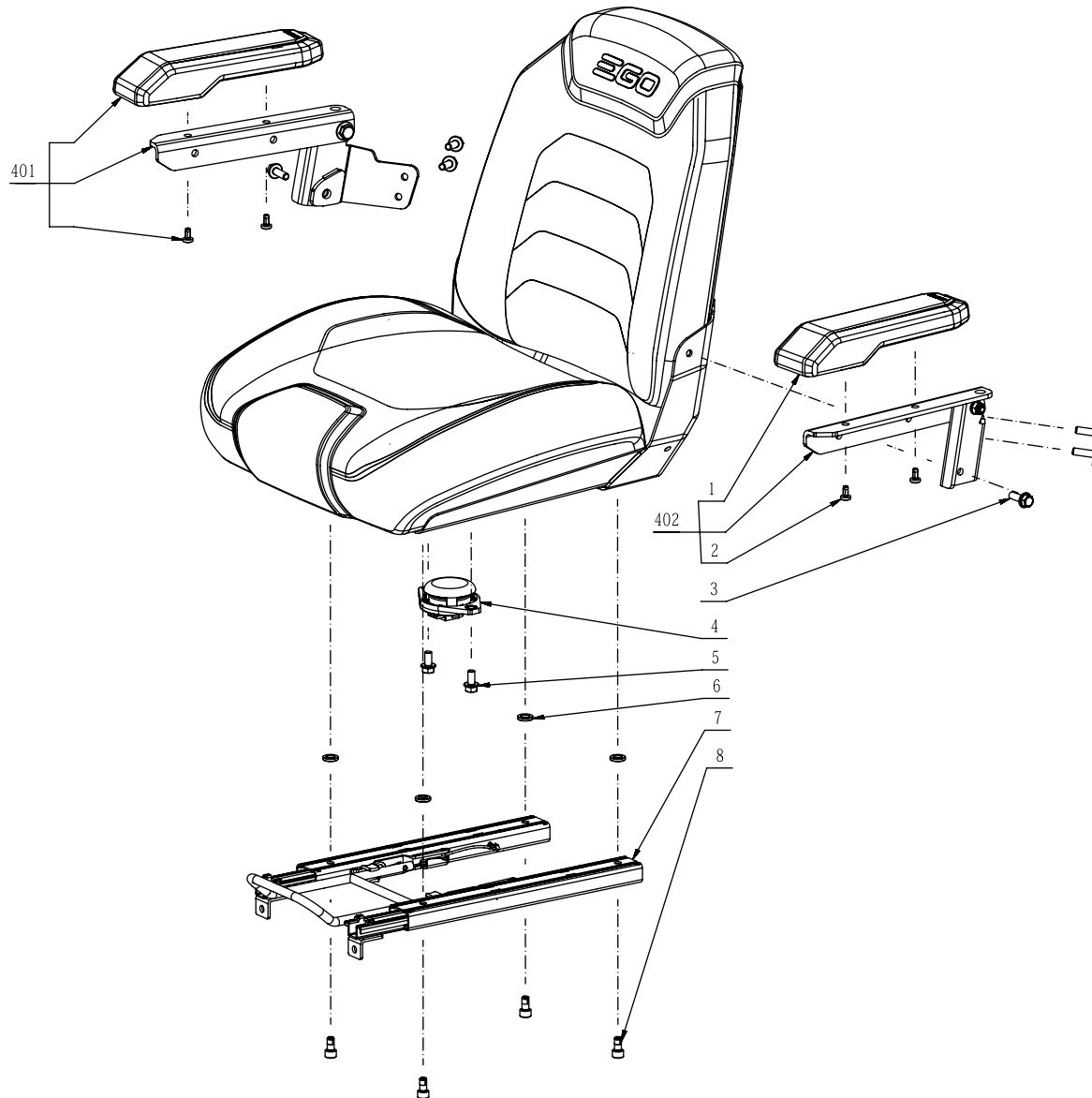
210





Product Description: Zero Turn Riding Mower
Model Number: ZT4200L
Body Number: 1000031001_S
Version: A
Issue Date: 2020/11/06

211



Service Part List_ZT4200L_Version A				
No.	Product Model#	Part Number	Description	Qty
1	ZT4200L	5640360001	Hexagon Flange Head Thread Forming Screw	26
3	ZT4200L	2827067001	Rocker Assembly	1
4	ZT4200L	5630267001	Nut	8
5	ZT4200L	2824132001	Lift Shaft Assembly	1
6	ZT4200L	5630371001	Prevailing Torque Type Hexagon Lock Nut with Flange	18
7	ZT4200L	5640354001	Flange Bolt-Large Series	5
8	ZT4200L	3707330001	Handle Lever	1
9	ZT4200L	2827130001	Connecting Rod Assembly	2
10	ZT4200L	3521236001	Support Base	2
11	ZT4200L	3707307001	Pressure Plate	2
13	ZT4200L	2827074001	Right Lift Arm Assembly	1
15	ZT4200L	5650740001	Plain Washer	2
16	ZT4200L	5630070003	Nut	4
17	ZT4200L	2827075001	Left Lift Arm Assembly	1
18	ZT4200L	3131157001	Wire Holder	24
19	ZT4200L	3553471001	Connecting Rod Spindle	2
20	ZT4200L	5630022004	Hexagon Nut	4
21	ZT4200L	5670561001	Split Pin	5
22	ZT4200L	3707327001	Hanger Rod	1
23	ZT4200L	3707365001	Left Supporting Plate	1
24	ZT4200L	2827182001	Support Assembly	2
25	ZT4200L	5640363001	Flange Bolt-Large Series	4

No.	Product Model#	Part Number	Description	Qty
26	ZT4200L	5620377003	Hexagon Socket Screw	9
27	ZT4200L	3131053001	Fuse PCB Box	1
28	ZT4200L	5610388001	Hexalobular Socket Thread Forming Screw	32
29	ZT4200L	5640373001	Hex Serrated Flange Screw	2
30	ZT4200L	5620618001	Screw with Washer	12
31	ZT4200L	4970355001	Motor Control System Fuse(80A)	4
32	ZT4200L	2827461001	Base Assembly	1
33	ZT4200L	5640355001	Flange Bolt-Large Series	4
34	ZT4200L	3131055001	Wire Holder	3
35	ZT4200L	3580076001	Rubber Sleeve	3
36	ZT4200L	3707366001	Right Supporting Plate	1
37	ZT4200L	3131403001	Base Foot	1
38	ZT4200L	3131528001	Hook	6
39	ZT4200L	2827261001	Left Handle Set	1
40	ZT4200L	2827272001	Right Handle Set	1
41	ZT4200L	5640222001	Hexagon Flange Bolt	6
42	ZT4200L	3707328001	Depth Stop Plate	1
43	ZT4200L	5640358001	Small Round Head Low Square Neck Bolt	8
44	ZT4200L	3707339001	Baffle	1
45	ZT4200L	2827464002	Footrest Pedal Assembly	1
46	ZT4200L	3130955001	Upper Dust Cover	2
47	ZT4200L	5650739001	Larger Washer	2
48	ZT4200L	5700402001	Deep Groove Ball Bearing	4

No.	Product Model#	Part Number	Description	Qty
49	ZT4200L	5690493001	Seal Ring	2
50	ZT4200L	2827052001	Front Wheel Bracket Assembly	2
51	ZT4200L	5640356001	Hexagon Head Bolt	2
52	ZT4200L	3130956001	Bearing Cover	4
53	ZT4200L	2827184001	Front Wheel Set	2
54	ZT4200L	3707333001	Fixing Board	2
55	ZT4200L	3660808001	Compression Spring	2
56	ZT4200L	2827147001	Damper	2
57	ZT4200L	5640350001	Hexagon Head Bolt	4
58	ZT4200L	2827083001	Connecting Rod Assembly	1
59	ZT4200L	5670553001	Pin Shaft	2
60	ZT4200L	5670563001	R Pin	3
61	ZT4200L	2827086001	Rear Connecting Rod Set	2
62	ZT4200L	3660793001	Tension Spring	2
63	ZT4200L	5650016007	Plain Washer	8
64	ZT4200L	2827185001	Rear Wheel Set	2
65	ZT4200L	5630372001	Conical Nut	8
66	ZT4200L	3131306001	Rear Hubcap	2
67	ZT4200L	5640353001	Flange Bolt-Large Series	2
68	ZT4200L	3707449001	Hitch	1
69	ZT4200L	5620021004	Hexagon Socket Screw	4
70	ZT4200L	5620453003	Tapping Screw	8
71	ZT4200L	2827209001	Shock Absorber	1

No.	Product Model#	Part Number	Description	Qty
72	ZT4200L	3130957001	Rear Cover	1
73	ZT4200L	3130950001	Lid Case	1
74	ZT4200L	5640361001	Hexagon Flange Head Thread Forming Screw	12
75	ZT4200L	3707397001	Base	1
76	ZT4200L	3707398001	Beam Bottom Support	1
77	ZT4200L	5630244004	Nut	2
78	ZT4200L	3403156001	Adjusting Handle	1
79	ZT4200L	3131251001	Handle Cover	1
80	ZT4200L	5610010003	Tapping Screw	2
81	ZT4200L	5970136002	Grease	1
82	ZT4200L	5680137001	Combination Wrench	2
83	ZT4200L	5680145001	Hexagon Socket Screw Key	1
84	ZT4200L	2823689001	Quick Connect Coupling	1
85	ZT4200L	2827673001	Key Assembly	2
86	ZT4200L	5690532001	Seal Ring	1
87	ZT4200L	5650909001	Plain Washer	1
88	ZT4200L	3708360001	Bracket	1
201	ZT4200L	2827138002	Battery Box Assembly	1
202	ZT4200L	2827425001	Control Box Assembly	1
203	ZT4200L	2827266001	Drive Train Assembly	1
204	ZT4200L	2827267002	Control Assembly	1
205	ZT4200L	2827044001	Front Frame Assembly	1
206	ZT4200L	2827245002	Parking Assembly	1

No.	Product Model#	Part Number	Description	Qty
207	ZT4200L	2827360002	Deck Unit	1
208	ZT4200L	2827406002	Left Cover Assembly	1
209	ZT4200L	2827270002	Rear Guard Assembly	1
210	ZT4200L	2827431002	Right Cover Assembly	1
211	ZT4200L	2827269001	Damping Seat Assembly	1
212	ZT4200L	2521079001	Accessory Box	1
214	ZT4200L	2824471001	Lift Shaft Assembly	1
201-1	ZT4200L	3130889001	Rear Transparent Guard	1
201-2	ZT4200L	3660705002	Compression Spring	1
201-3	ZT4200L	3130964001	Latch	1
201-4	ZT4200L	3706580001	Clamp	2
201-5	ZT4200L	5620157006	Hexagon Socket Screw	8
201-6	ZT4200L	5660305001	E Ring	4
201-7	ZT4200L	3553477001	Spindle	2
201-8	ZT4200L	3707335001	Bottom Support	1
201-9	ZT4200L	3707351001	Hook	6
201-10	ZT4200L	5610388001	Hexalobular Socket Thread Forming Screw	14
201-11	ZT4200L	3707336001	Bottom Support	1
201-12	ZT4200L	3707349001	Support Base	2
201-13	ZT4200L	3660805001	Gas Spring	1
201-14	ZT4200L	5670559001	Pin Shaft	2
201-401	ZT4200L	2827772001	Battery Box Cover Assembly	1
202-1	ZT4200L	4860791001	Type-C Male-female Wire	1

No.	Product Model#	Part Number	Description	Qty
202-2	ZT4200L	3131055001	Wire Holder	4
202-3	ZT4200L	3580076001	Rubber Sleeve	12
202-4	ZT4200L	4860792004	Type-C Male-male Wire	3
202-5	ZT4200L	4860785001	Motor Wiring Harness	1
202-6	ZT4200L	3131036001	Close Cover	1
202-7	ZT4200L	5620377003	Hexagon Socket Screw	27
202-8	ZT4200L	3700367001	Cord Anchorage	1
202-9	ZT4200L	4860751001	Motor Wire Harness	2
202-10	ZT4200L	5610305002	Tapping Screw	4
202-11	ZT4200L	5610021001	Tapping Screw	1
202-12	ZT4200L	4891968001	Connecting PCBA	1
202-13	ZT4200L	3900369002	PCB Box	1
202-14	ZT4200L	4860797001	Type-C Male-male Wire	1
202-15	ZT4200L	4860797002	Type-C Male-male Wire	2
202-16	ZT4200L	4860792003	Type-C Male-male Wire	1
202-17	ZT4200L	4860786001	Motor Wiring Harness	1
202-18	ZT4200L	4860751002	Motor Wire Harness	2
202-19	ZT4200L	5630006003	Prevailing Torque Hexagon Nut	8
202-20	ZT4200L	3707400001	Base Plate	1
202-21	ZT4200L	5630015001	Prevailing Torque Hexagon Nut	1
202-22	ZT4200L	5640373001	Hex Serrated Flange Screw	1
202-23	ZT4200L	4860768001	Host Power Wire Harness	1
202-24	ZT4200L	2827424002	Z6 Motor PCBA	4

No.	Product Model#	Part Number	Description	Qty
202-25	ZT4200L	5620618001	Screw with Washer	16
202-26	ZT4200L	5620051009	Screw	8
202-27	ZT4200L	4860793002	Host Power Wire Harness	1
202-28	ZT4200L	4860788001	Wire Harness	1
202-29	ZT4200L	4860793001	Host Power Wire Harness	1
202-30	ZT4200L	4860789001	Wire Harness	1
202-31	ZT4200L	3707407001	Cord Anchorage	3
203-1	ZT4200L	3707424001	Connecting Plate	1
203-2	ZT4200L	5640361001	Hexagon Flange Head Thread Forming Screw	4
203-3	ZT4200L	5640247002	Hexagon Head Bolt	8
203-4	ZT4200L	2730318001	DC Motor	2
203-5	ZT4200L	3553570001	Brake Disc	2
203-6	ZT4200L	3521235001	Friction Block	4
203-7	ZT4200L	3707277001	Scaleboard	2
203-8	ZT4200L	5670552001	Parallel Pin	4
203-9	ZT4200L	5640009003	Hexagon Head Bolt	8
203-10	ZT4200L	3707423001	Connecting Plate	1
203-11	ZT4200L	5630244004	Nut	4
203-401	ZT4200L	2827439002	Gear Case Assembly	1
203-402	ZT4200L	2827528002	Right Bracket Assembly	1
203-403	ZT4200L	2827525002	Left Bracket Assembly	1
204-1	ZT4200L	5640351001	Hexagon Flange Head Screw with Shoulder	2
204-2	ZT4200L	3660807001	Compression Spring	2

No.	Product Model#	Part Number	Description	Qty
204-3	ZT4200L	5650740001	Plain Washer	2
204-4	ZT4200L	3707358001	Joystick	2
204-5	ZT4200L	5650741001	Plain Washer	2
204-6	ZT4200L	5640349001	Shoulder Bolt	2
204-7	ZT4200L	2827703001	Rotating Lever	2
204-8	ZT4200L	5630267001	Nut	4
204-9	ZT4200L	2827260001	Left Hall PCB Box	1
204-10	ZT4200L	5610021001	Tapping Screw	4
204-11	ZT4200L	2827705002	Magnetic Holder Assembly	1
204-12	ZT4200L	5620352002	Screw with Washer	4
204-13	ZT4200L	2827704002	Magnetic Holder Assembly	1
204-14	ZT4200L	2827259001	Right Hall PCB Box	1
205-1	ZT4200L	4860770001	Lamp Wire Harness	2
205-2	ZT4200L	2827291002	Control Box Assembly	1
205-3	ZT4200L	4891966002	LED PCBA	1
205-4	ZT4200L	5610021001	Tapping Screw	10
205-5	ZT4200L	4891967002	LED PCBA	1
205-6	ZT4200L	3900346002	Transparent Cap Assembly	1
205-7	ZT4200L	3900344002	Transparent Guard Assembly	1
205-8	ZT4200L	3900345002	Transparent Guard Assembly	1
205-9	ZT4200L	3130877001	Front Frame	1
205-10	ZT4200L	5610305002	Tapping Screw	4
206-1	ZT4200L	2827480002	Switch Box Assembly	1

No.	Product Model#	Part Number	Description	Qty
206-2	ZT4200L	5630371001	Prevailing Torque Type Hexagon Lock Nut with Flange	2
206-3	ZT4200L	3707284001	Pedal	1
206-4	ZT4200L	5640354001	Flange Bolt-Large Series	2
206-5	ZT4200L	3580060001	Rubber Sleeve	1
206-6	ZT4200L	5620352002	Screw with Washer	2
206-7	ZT4200L	3130932001	Seal Packing Case	1
206-8	ZT4200L	5620377003	Hexagon Socket Screw	4
207-1	ZT4200L	2730319001	DC Motor	2
207-2	ZT4200L	2823670002	Chute Deflector Assembly	1
207-3	ZT4200L	5630244004	Nut	5
207-4	ZT4200L	5640352001	Hexagon Flange Bolt	2
207-5	ZT4200L	3131072001	Roller Wheel	2
207-6	ZT4200L	5630371001	Prevailing Torque Type Hexagon Lock Nut with Flange	2
207-7	ZT4200L	5640222001	Hexagon Flange Bolt	8
207-8	ZT4200L	3580113001	Flange	2
207-9	ZT4200L	3707399001	Blade	2
207-10	ZT4200L	5650510001	Washer	2
207-11	ZT4200L	5640226001	Flange Bolt	2
207-12	ZT4200L	5610388001	Hexalobular Socket Thread Forming Screw	2
207-13	ZT4200L	5690141001	O Ring	1
207-14	ZT4200L	2827070001	Deck Unit	1
207-15	ZT4200L	5640357001	Semicircular Head Square Neck Bolt	5
207-16	ZT4200L	3131048001	Baffle Strip	1

No.	Product Model#	Part Number	Description	Qty
207-401	ZT4200L	2823718002	Outlet Nozzle Assembly	1
208-1	ZT4200L	3403155001	Storage Box Overturn	1
208-2	ZT4200L	4860775001	Wiring Harness	1
208-3	ZT4200L	4860792001	Type-C Male-male Wire	1
208-4	ZT4200L	4860791003	Type-C Male-female Wire	1
208-5	ZT4200L	4891973002	USB PCBA	1
208-6	ZT4200L	4860773001	Wiring Harness	1
208-7	ZT4200L	3700367001	Cord Anchorage	6
208-8	ZT4200L	4891964001	USB PCBA	1
208-9	ZT4200L	5610021001	Tapping Screw	11
208-10	ZT4200L	4860774001	USB Cable	1
208-11	ZT4200L	5620377003	Hexagon Socket Screw	18
208-12	ZT4200L	2830790001	LED Electric Assembly	1
208-13	ZT4200L	3131122001	LED Holder	1
208-14	ZT4200L	3131076001	LED Cover	1
208-15	ZT4200L	3131104001	Left Cover Plate	1
208-16	ZT4200L	5610305002	Tapping Screw	4
208-17	ZT4200L	4970354001	Charging Fuse(40A)	1
208-18	ZT4200L	4870766001	Switch Assembly	1
208-19	ZT4200L	4860796001	Charging Harness Assembly	1
208-20	ZT4200L	4860771001	Wiring Harness	1
208-21	ZT4200L	3660810001	Torsion Spring	2
208-22	ZT4200L	3131010001	Charging Port Cover	1

No.	Product Model#	Part Number	Description	Qty
208-23	ZT4200L	3131007001	Lower Housing	1
208-401	ZT4200L	2827407002	Storage Box Assembly	1
208-402	ZT4200L	2827462002	Left Cover Set	1
209-1	ZT4200L	2827628001	L R Indicator Cover Set	1
209-2	ZT4200L	5620377003	Hexagon Socket Screw	6
209-3	ZT4200L	3707406001	Wire Holder	2
209-4	ZT4200L	3900385001	Guard Assembly	1
209-5	ZT4200L	2830770001	LED Electric Assembly	1
210-1	ZT4200L	5610021001	Tapping Screw	4
210-2	ZT4200L	3700367001	Cord Anchorage	4
210-3	ZT4200L	4860777001	Wiring Harness	1
210-4	ZT4200L	3130904001	Right Cover	1
210-5	ZT4200L	3131105001	Right Cover Plate	1
210-6	ZT4200L	4860791002	Type-C Male-female Wire	1
210-7	ZT4200L	5620377003	Hexagon Socket Screw	22
210-8	ZT4200L	3131078001	Phone Box	1
210-9	ZT4200L	3660812001	Torsion Spring	1
210-10	ZT4200L	3322835001	Phone Box Cover	1
210-11	ZT4200L	4870764001	Push Switch	1
210-12	ZT4200L	4870762001	Push Switch	1
210-13	ZT4200L	3130995001	Control Panel	1
210-14	ZT4200L	2827438001	LCD Assembly	1
210-15	ZT4200L	3131055001	Wire Holder	2

No.	Product Model#	Part Number	Description	Qty
210-16	ZT4200L	3580076001	Rubber Sleeve	2
210-17	ZT4200L	2830779001	Switch Electric Assembly	1
210-18	ZT4200L	3122798001	Cord Anchorage	3
210-19	ZT4200L	5610305002	Tapping Screw	3
210-20	ZT4200L	4860782001	Wiring Harness	1
210-21	ZT4200L	3130996001	Control Box Base	1
210-22	ZT4200L	3131076001	LED Cover	1
210-23	ZT4200L	3131077001	LED Holder	1
210-24	ZT4200L	2830790001	LED Electric Assembly	1
210-401	ZT4200L	2827437001	Control Panel Box Assembly	1
211-1	ZT4200L	3402283001	Armrest	2
211-2	ZT4200L	5610388001	Hexalobular Socket Thread Forming Screw	4
211-3	ZT4200L	5640354001	Flange Bolt-Large Series	6
211-4	ZT4200L	4870579001	Switch Assembly	1
211-5	ZT4200L	5640222001	Hexagon Flange Bolt	2
211-6	ZT4200L	3550110002	Washer	4
211-7	ZT4200L	2827473001	Guide Rail Assembly	1
211-8	ZT4200L	5620021004	Hexagon Socket Screw	4
211-401	ZT4200L	2827759001	Right Armrest Assembly	1
211-402	ZT4200L	2827760001	Left Armrest Assembly	1