

# COMMERCIAL BEVERAGE MERCHANDISER

## MODEL: VBM91SS



### FEATURES:

- 9.53 cubic feet of storage capacity
- Approved for commercial use
- Sleek stainless steel finish
- Efficient compressor cooling for your beverages
- Adjustable vinyl coated adjustable shelves
- Included door lock
- Reversible door
- Front venting for built-in or freestanding installations
- CSA Sanitation certified
- Soft white LED interior lighting
- Temperature range of 34 - 64° F
- Simple controls and clear digital display

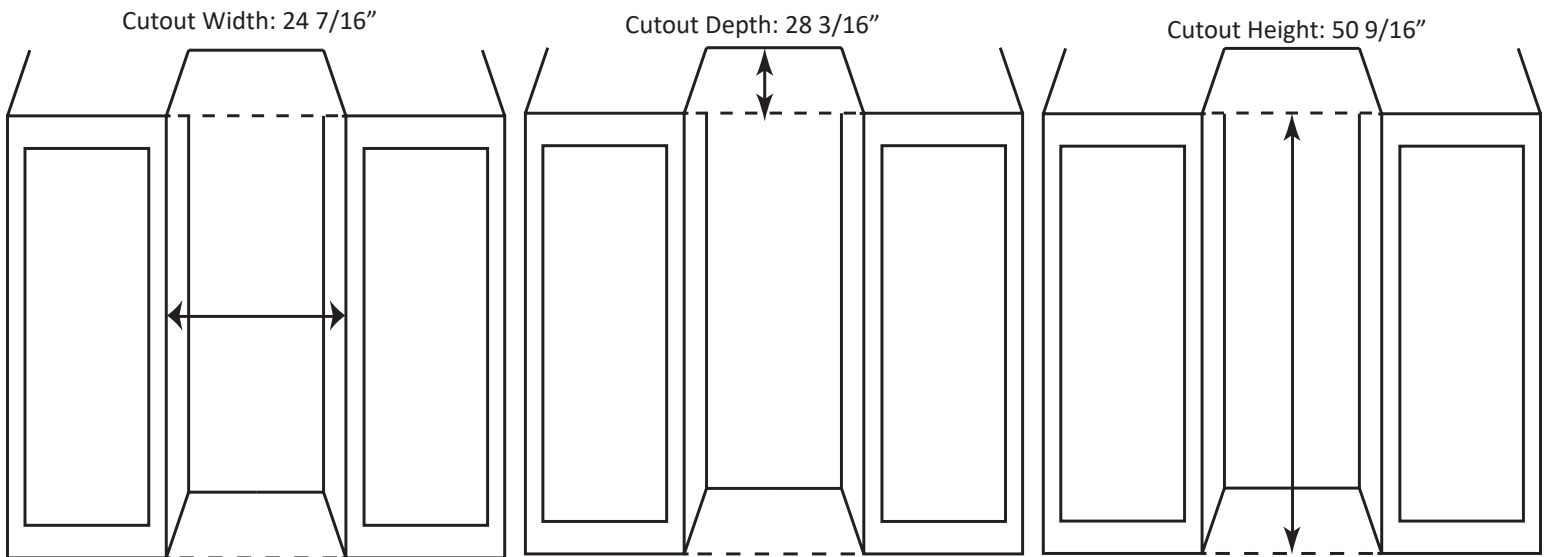


## CUTOUT DIMENSIONS

WIDTH

DEPTH

HEIGHT



Opening Width (W)	24 7/16"
Opening Depth (D)	28 13/16"
Opening Height (H)	50 9/16"

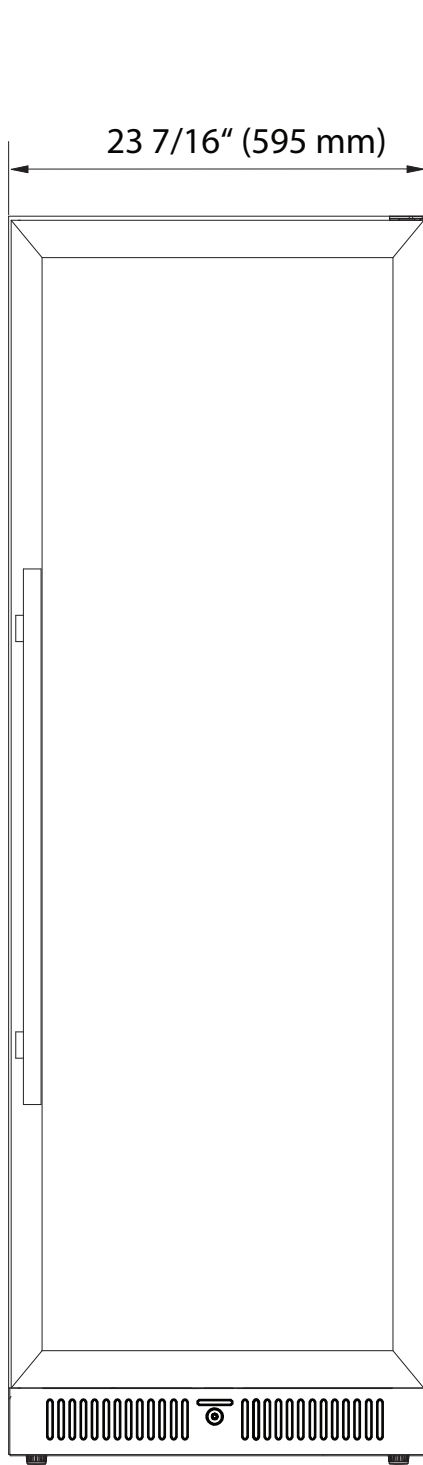
## SPECIFICATIONS

MODEL #	VBM91SS
Capacity (Cu Ft)	9.53
Temperature Range	34 - 64°F
Lighting	White LED
Refrigerant	R600a, 1.6 oz.
Product Width	23 7/16"
Product Depth	28 1/16"
Product Depth with Handle	29 7/8"
Height	50 1/16"
Net Weight	144 lbs.
Amps	1.8
Electrical Supply	115V, 60 Hz

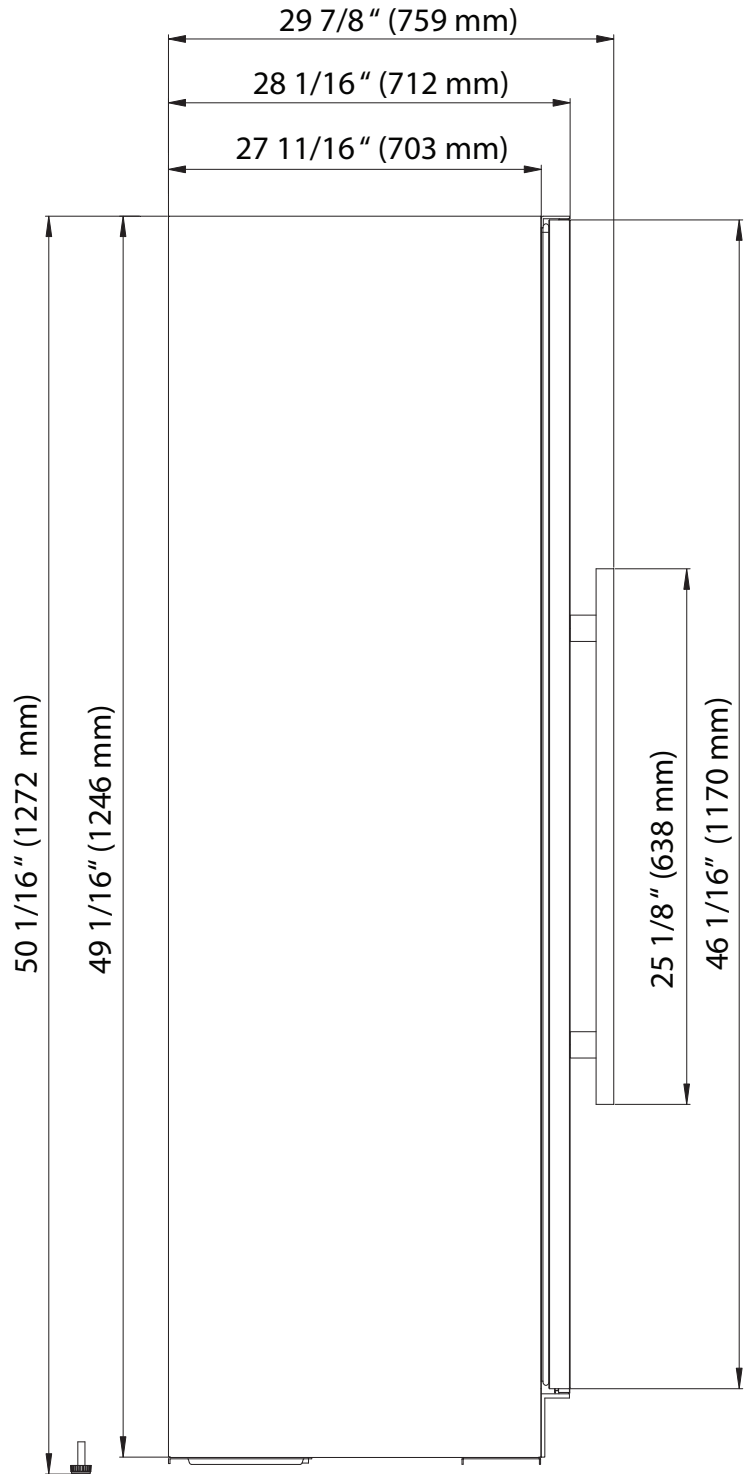
### WARRANTY:

1 Year Limited Parts and Labor

# EXTERIOR DIMENSIONS

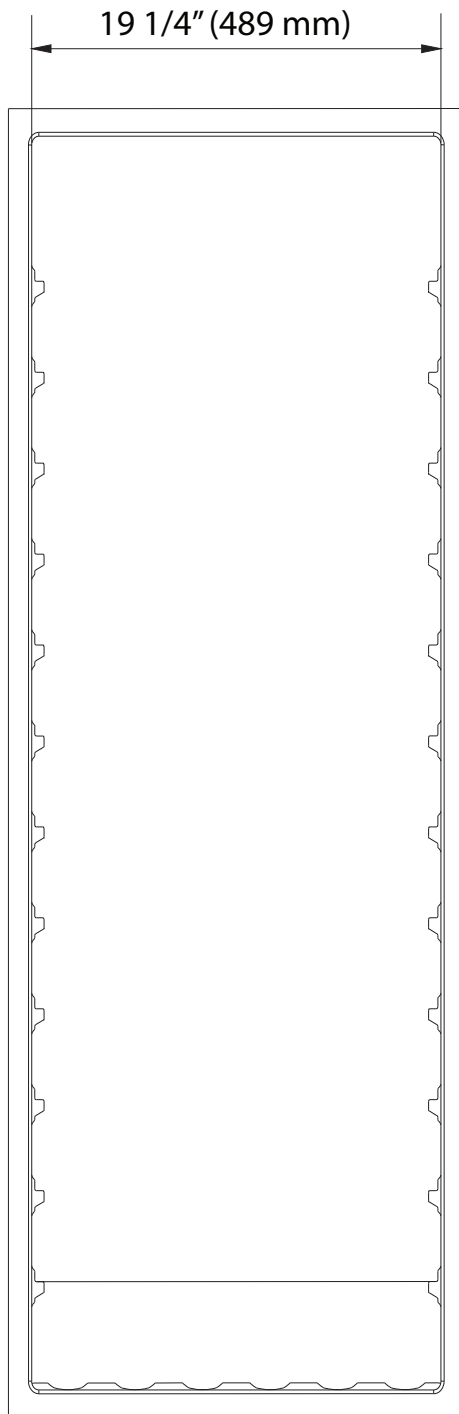


Front View

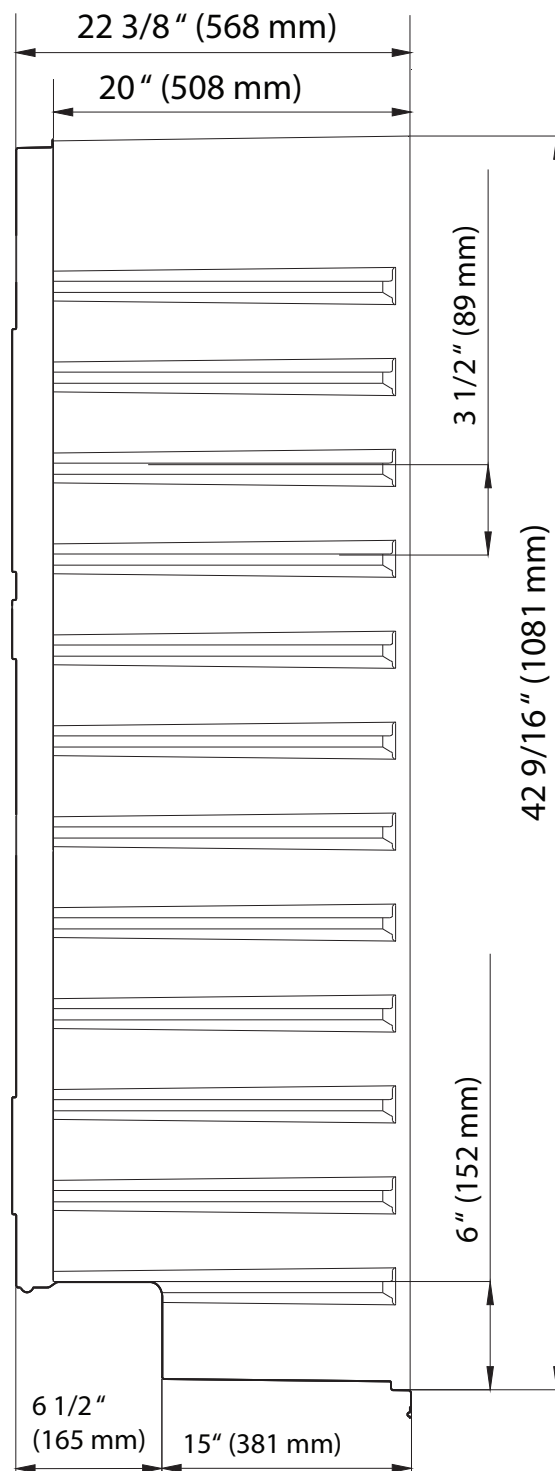


Side View

# INTERIOR DIMENSIONS



Front View



Side View

# DOOR SWING

