



Illustrated Parts Breakdown
Illustration des pièces détachées

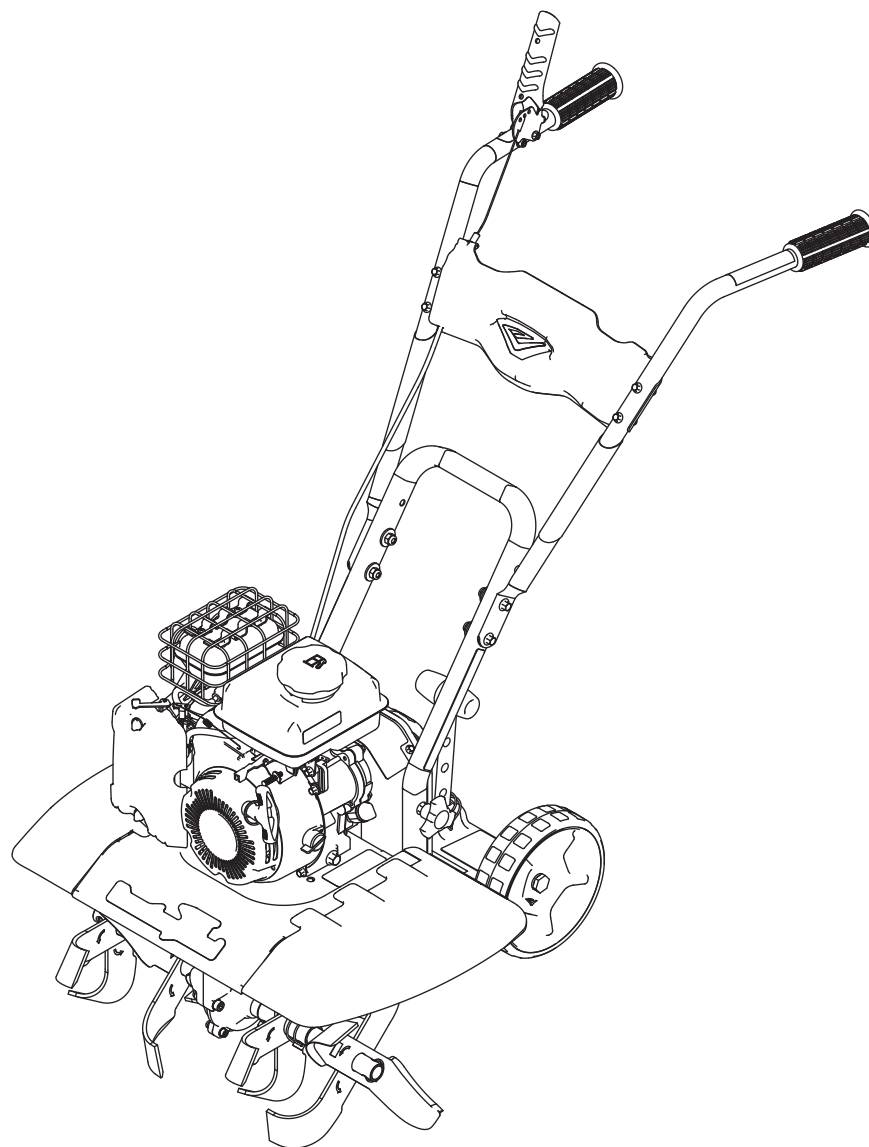
VERSA
Compact Tiller and Cultivator

Model Numbers, Numéros de modèle :
20015 / 25780

ENGLISH

FRENCH

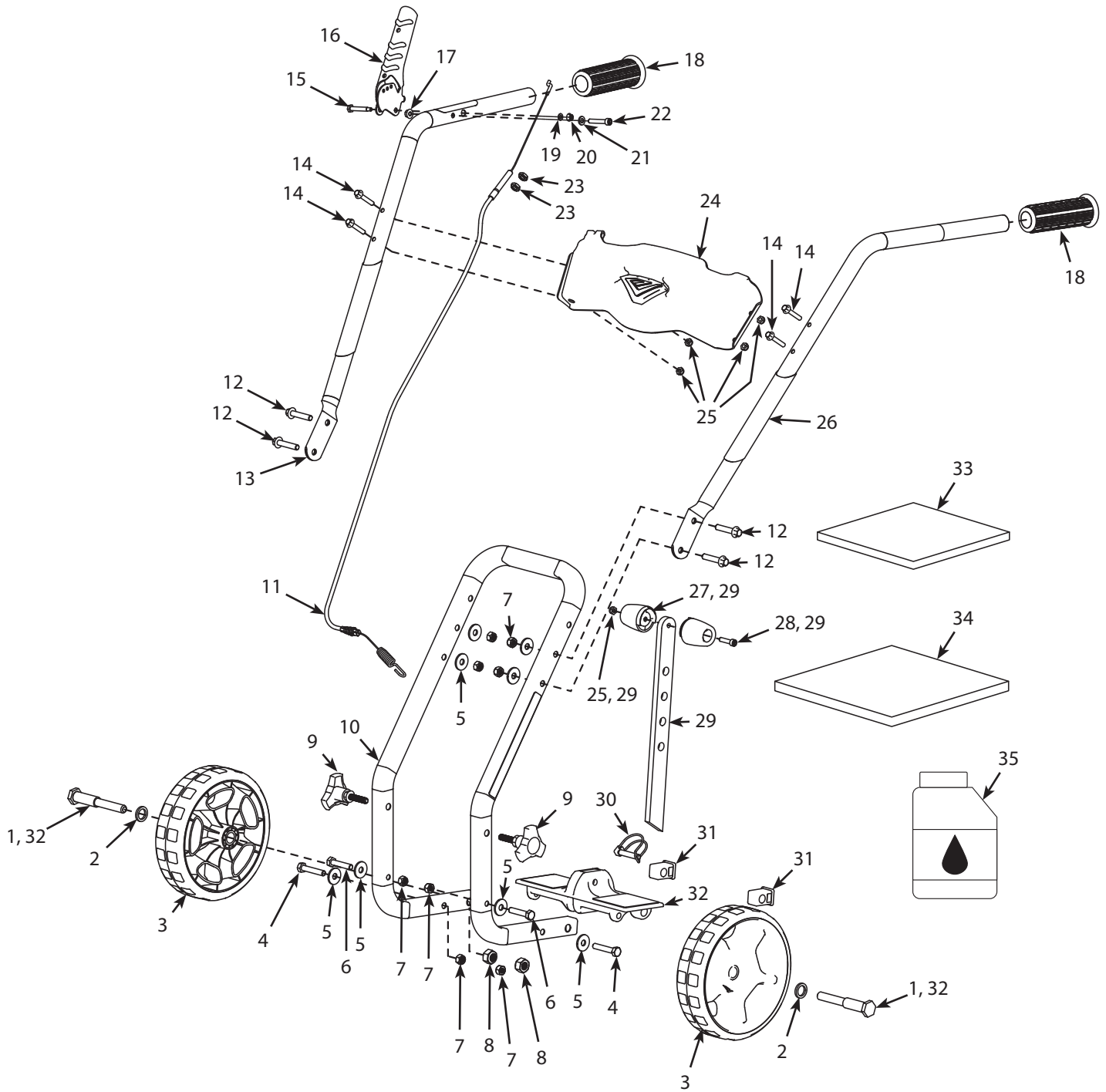
S/N



Get parts or technical assistance online at
www.GetEarthquake.com or call (800) 345-6007
Pièces détachées et assistance technique en ligne à
www.GetEarthquake.com ou composer le (800) 345-6007

© 2020 Ardisam
All Rights Reserved
Tous droits réservés
P/N: 31480
ECN: 12197
REV 2: 10/03/2019

ILLUSTRATED PARTS BREAKDOWN: Handlebar Assembly



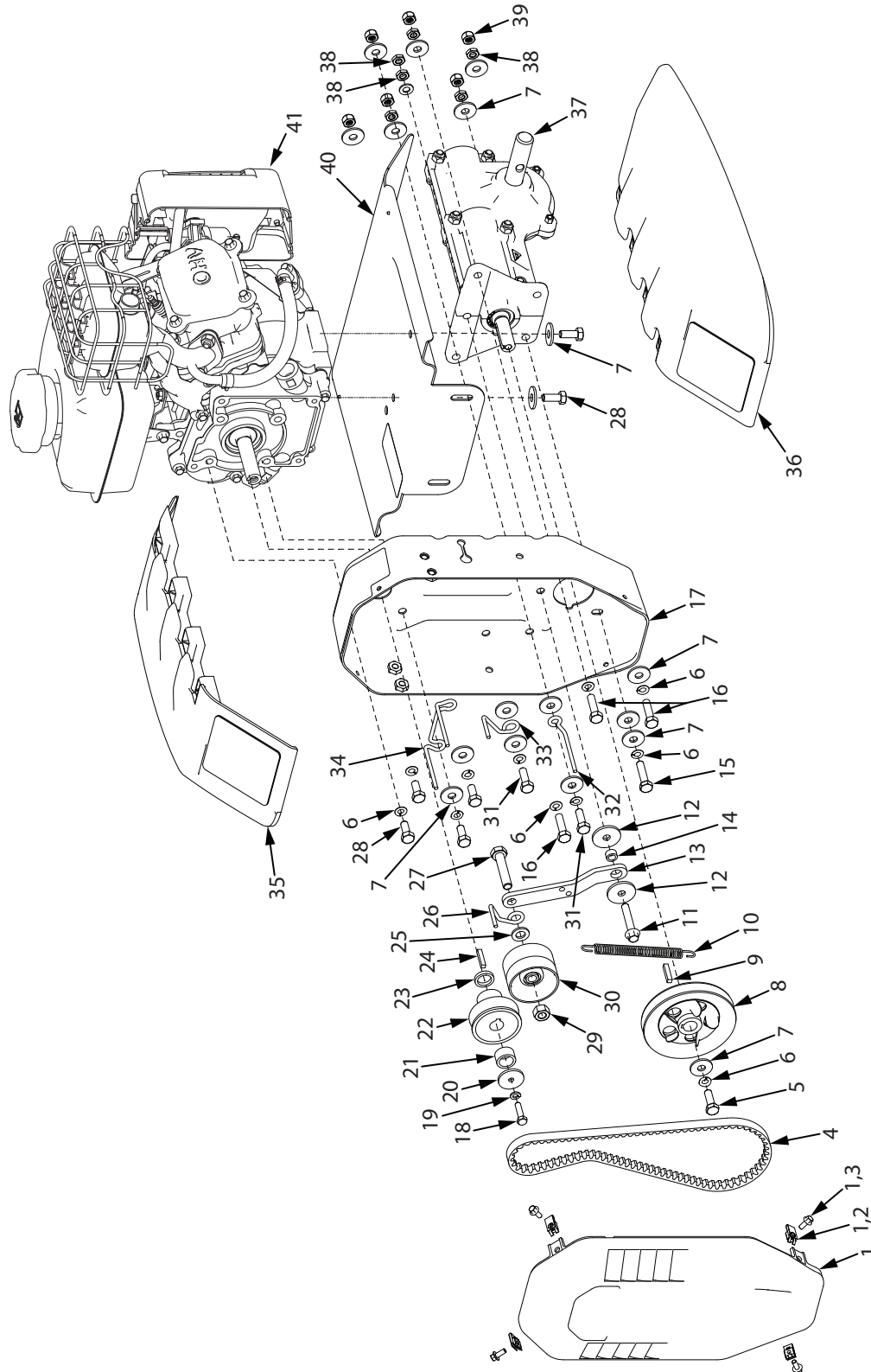
ITEM #	PART #	DESCRIPTION	QTY
REP.	N° RÉF.	DESCRIPTION	QTÉ
1	25985	BOLT SHOULDER M12X-1.75X104 MM HEX HEAD	2
2	10517	WASHER 16 X 25 X 2.5 MM	2
3	28177	WHEEL 8 IN OD X 16 MM ID GREY HUB	2
4	18098	BOLT M8 X 1.25 X 45 MM HEX HEAD	2
5	3245	WASHER M8 X 24 X 2 MM	8
6	12770	BOLT M8 X 1.25 X 40 MM HEX HEAD	2
7	400023	NUT M8 X 1.25 MM NYLOCK	8
8	17987	NUT M12 X 1.25 MM NYLOCK	2
9	20057	KNOB THREE STAR BOLT	2
10	25694	FRAME HANDLEBAR MOUNT BLACK	1
11	30267	CABLE DRIVE CONTROL	1
12	19922	BOLT M8 X 1.25 X 40 MM HEX FLANGE	4
13	30289	HANDLEBAR RIGHT	1
14	28473	BOLT M6 X 1.0 X 45 MM HEX FLANGE	4
15	13159	BOLT SHOULDER M5X0.75X7 MM HEX HEAD	1
16	14902	CONTROL LEVER BLACK	1
17	13599	NUT M6 X 1.0 MM FLANGE NYLOCK	1
18	13833	HANDLE GRIP	2
19	3308	WASHER M5 X 10 X 1 MM	1
20	3248	NUT M5 X 0.8 MM FLANGE NYLOCK	1

ITEM #	PART #	DESCRIPTION	QTY
REP.	N° RÉF.	DESCRIPTION	QTÉ
21	W1200117	WASHER M6 X 12 X 1 MM	1
22	20347	BOLT M6 X 1.0 X 35 MM SOCKET HEAD	1
23	4620	NUT M8 X 1.25 MM HEX JAM	2
24	28216	DASH WITH BADGE	1
25	W1265V0913	NUT M6 X 1.0 MM NYLOCK	5
26	30290	HANDLEBAR WITH WARING LEFT	1
27	28210	HANDLE DRAG STICK GREEN	2
28	13222	BOLT M6 X 1.0 X 25 MM SOCKET HEAD	1
29	28209	DRAG STAKE ASSEMBLY	1
30	18039	LOCK PIN 8 X 40 MM	1
31	20056	PLUG SQUARE TUBE END BLACK	2
32	24814	CASTING DRAG STAKE WITH MOUNT BOLTS	1
33*	28275	HARDWARE PARTS BAG 20015	1
33**	28430	HARDWARE PARTS BAG 25780	1
34	31864	MANUAL PARTS BAG 20015, 25780	1
35	20164	OIL 10W30 1 QT BOTTLE	1

* Model 20015 only

** Model 25780 only

ILLUSTRATED PARTS BREAKDOWN: Chassis Assembly

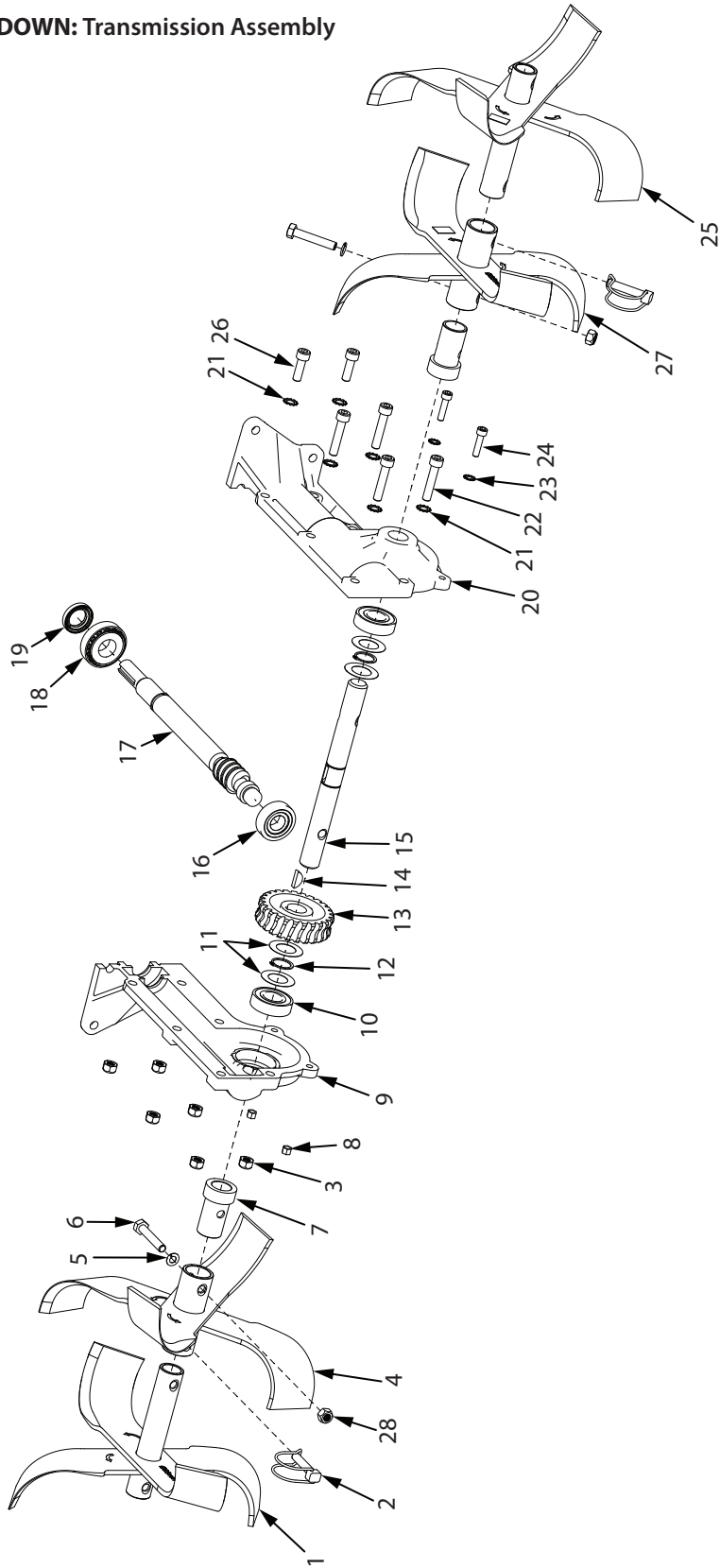


ITEM #	PART #	DESCRIPTION	QTY
REP.	N° RÉF.	DESCRIPTION	QTÉ
1	23552	PULLEY BOX COVER & HARDWARE	1
2	23873	CAGE NUT M5 X 0.8	2
3	400018	BOLT M5 X 0.8 X 12 HEX FLANGE	4
4	20343	BELT 12 X 728 TYPE 4L TOOTH	1
5	13826	BOLT M8 X 1.25 X 25 HEX HEAD	1
6	21640	WASHER M8 SPRING LOCK	11
7	3245	WASHER M8 X 24 X 2 FLAT	18
8	20067	PULLEY TRANSMISSION FLUTED	1
9	21819	KEY 5 X 25 MM SQUARE	1
10	23506	EXTENSION SPRING 120.4 X 1.65	1
11	3247	BOLT M8 X 1.25 X 45 HEX FLANGE	1
12	23982	WASHER 8.5 X 32.5 X 3 MM FLAT	2
13	20060	FORWARD IDLER ARM STEEL	1
14	23981	BUSHING 8 X 12.5 X 7 MM STEEL	1
15	20816	BOLT M8 X 1.25 X 35 HEX HEAD	1
16	17983	BOLT M8 X 1.25 X 30 HEX HEAD	3
17	25814	PULLEY BOX STEEL	1
18	23511	BOLT M6 X 1.0 X 25 HEX HEAD	1
19	W1200116	WASHER M6 SPRING LOCK	1
20	20344	WASHER M6 X 29.5 X 3 FLAT	1
21	20244	BUSHING 16 X 12 X 22 MM STEEL	1
22	18022	PULLEY ENGINE SINGLE GROOVE	1
23	20246	BUSHING 16 X 4 X 22 MM STEEL	1

ITEM #	PART #	DESCRIPTION	QTY
REP.	N° RÉF.	DESCRIPTION	QTÉ
24	23512	KEY 4.8 X 25 MM SQUARE	1
25	2431	WASHER M10 X 20 X 2 FLAT	1
26	22563	WIRE BELT CATCH SINGLE LOOP	1
27	20145	BOLT M10 X 1.5 X 50 HEX HEAD	1
28	W1265V0904	BOLT M8 X 1.25 X 20 HEX HEAD	6
29	3235	NUT M10 X 1.5 TOPLOCK	1
30	13364	IDLER PULLEY	1
31	24169	BOLT M8 X 1.25 X 25 HEX HEAD	2
32	20345	WIRE BELT GUIDE RIGHT	1
33	25038	WIRE BELT GUIDE LEFT	1
34	20059	WIRE BELT GUIDE DOUBLE LOOP	1
35	26339	TUFFLEX TINE SHIELD LEFT	1
36	26340	TUFFLEX TINE SHIELD RIGHT	1
37	24815	TRANSMISSION 12.5:1 WEBBED	1
38	4620	JAM NUT M8 X 1.25	6
39	400023	NUT M8 X 1.25 NYLOCK	6
40	20061	CENTER TINE SHIELD STEEL	1
41*	31792	ENGINE 99CC VIPER KIT	1


* See engine manual for engine parts explosion or directions for accessing service parts.

ILLUSTRATED PARTS BREAKDOWN: Transmission Assembly



ITEM #	PART #	DESCRIPTION	QTY
REP.	N° RÉF.	DESCRIPTION	QTÉ
1	13905	TINE SET OUTER RIGHT	1
2	18039	LOCK PIN 8 X 40 MM	2
3	400023	NUT M8 X 1.25 NYLOCK	6
4	29812	TINE SET INNER RIGHT M10 HOLE	1
5	W1200119	WASHER M10 SPRING LOCK	2
6	20016	BOLT M10 X 1.5 X 45 HEX HEAD	2
7	29810	SLEEVE TINE SHAFT STEEL M10 HOLE	2
8	W1265V0913	NUT M6 X 1.0 NYLOCK	2
9*	---	TRANSMISSION CASTING RIGHT	1
10	3309	BEARING 6004 2RS	2
11	21814	SPACER BEARING	4
12	21816	RETAINING RING 3AM1-20	2
13	20065	GEAR 25 TOOTH BRONZE	1
14	21817	KEY 5 X 7.5 X 19 MM WOODRUFF	1
15	29808	TINE SHAFT 209 MM M10	1
16	331021	BEARING TAPERED 30203	1
17	24900	DRIVE SHAFT WORM GROOVED	1
18	3220	BEARING 30204	1
19	331042	SEAL 20 X 32 X 6 MM	1
20*	---	TRANSMISSION CASTING LEFT	1
21	21810	WASHER M8 EXTERNAL TOOTH	6
22	21808	BOLT M8 X 1.25 X 40 SOCKET HEAD	4
23	21818	WASHER M6 EXTERNAL TOOTH	2
24	14375	BOLT M6 X 1.0 X 25 SOCKET HEAD	2
25	13904	TINE SET OUTER LEFT	1
26	400022	BOLT M8 X 1.25 X 25 SOCKET HEAD	2
27	29813	TINE SET INNER LEFT M10 HOLE	1
28	W1265V0903	NUT M10 X 1.5 NYLOCK	2

** Right and left castings sold as complete transmission 24815 assembly only*



Earthquake[®]

ARDISAM, INC.
1160 Eighth Avenue
PO Box 755
Cumberland, WI 54829

Phone, Téléphone : (800) 345-6007
Fax, Télécopieur : (715) 822-2124
www.GetEarthquake.com