



EAGLE

**SINGLE SHOT
AIR OPERATED GREASE GUN
MODEL EGA700
OWNERS MANUAL**



www.eaglecompressor.com
1-800-551-2406

READ THE ENTIRE MANUAL BEFORE PUTTING THIS TOOL IN SERVICE

Limited Air Tool Warranty

Eagle warrants air tools of its own manufacture against defects in workmanship and materials under normal use and service for twelve(12) months from date of purchase by original purchaser. Parts are covered by this warranty for ninety(90) days from date of purchase.

The following expandable items are warranted against defects in workmanship and materials for ninety(90) days from date of purchase: sockets, screw driver bits and accessories, sanding and back-up pads, impact mechanism, chisels and their retainers, cutting and grinding accessories and any other expandable items not specifically mentioned.

Normal wear and tear, service or maintenance items such as O-rings, springs, gaskets, packing or seals, fluid needles and nozzles, motor vanes or blades, collets, chucks or any such item not specifically mentioned are covered for ninety(90) days from date of purchase warranty only.

Eagle will, at its sole discretion, repair or replace the tool or parts that have failed within the warranty period. If repairs are considered, they will be scheduled in the normal course of the workflow at its service centre.

Not covered under this warranty:

- Indirect or consequential loss or damage or expenses resulting from the failure or malfunction of this tool.
- Accidents or failures resulting from owners neglect, abuse or failure to operate and maintain the tool in accordance with the instructions provided in the owner's manual.
- Tampering, removal or alterations of safety devices will void this warranty.
- Blemishes or cosmetic defects which do not effect the tool's operation.
- Tools used industrially, commercially or in rental applications.

To claim warranty the owner/purchasers must provide proof of purchase and maintenance records, and when requested ship or deliver at owner/purchasers expense and cost to Eagle's factory or service centre



Wear hearing protection.
Wear eye protection.
Wear respiratory protection.



Read the instruction manual

TABLE OF CONTENTS

Limited Warranty	2
Description.....	3
Inspection	3
Before Using This Air Tool	3
Safety Instructions	4
Tool Specifications.....	4
Instructions for filling grease gun.....	5
Parts Breakdown	6
Troubleshooting.....	7

DESCRIPTION

Eagle Air tools are manufactured in accordance with our strict specifications and designed to be used in light duty professional or serious DIY applications. When used in accordance with warnings and instructions given in this manual, and when properly applied and maintained they should give you many years of productive and trouble free service.

This tool is NOT designed for professional, production or industrial use, when used in these applications its life expectancy will be significantly shortened and the warranty will be void.

INSPECTION

Upon receipt of your new tool, carefully check for any shipping damage. If your new tool is damaged in shipping you need to file a claim with the carrier at once, and before contacting Eagle's customer service department.

Also carefully check to make sure all accessories (if included) are with the tool. Make sure any loose bolts, fittings etc. are tightened before you put this tool into service.

BEFORE USING THIS AIR TOOL

To ensure long life be sure to oil the tool daily. Pour 4 drops of Eagle air tool (SEA 20 non detergent) oil into the air inlet, and then run the tool for a few seconds to clean.

PLEASE USE EAGLE SEA 20 NON DETERGENT OIL



Wear hearing protection.
Wear eye protection.
Wear respiratory protection.



Read the instruction manual

SAFETY INSTRUCTIONS

You should operate this air tool only if you have read this entire manual, and understand its content, and you are familiar with safety and proper use when operating this equipment. This air tool is part of a high pressure compressed air system, the following safety precautions must be followed at all times.

1)	Always wear protective goggles or safety glasses, hearing protection, protective gloves and footwear.
2)	Do not wear loose clothing or jewelry, and ensure long hair is protected with a proper cover.
3)	Do not exceed the maximum operating pressure of this tool or any component in the air delivery system.
4)	Do not depress the trigger when connecting this tool to the air supply system. Always disconnect the tool from the air supply system when changing attachments.
5)	Do not point the air tool at yourself or any other person.
6)	Never use Oxygen or combustible gases to operate this tool. Use only lubricated compressed air regulated to the recommended operating pressure for this tool.
7)	Disconnect this tool from its air supply before attempting to install or change attachments or before attempting any service. Also disconnect the air tool from the compressed air system when not in use.
8)	Excessive use of this tool can cause injury due to vibration and fatigue. Do not use this tool in awkward positions, and avoid repetitive work motions. When feeling discomfort, numbness, fatigue, tingling or pain stop work immediately and seek medical treatment and advice.
9)	Inspect air hoses, and discard if in worn, weak or damaged condition. Make sure all air connections are tight and secure.
10)	Keep hands away from moving parts
11)	Do not use this air tool if intoxicated, if you are using drugs or medication causing drowsiness or if you are tired.
12)	Do not leave this air tool unattended, and disconnect from the air delivery system when not in use. Children must be supervised in the proximity of any air tool or work area.
13)	Follow air supply manufacturer's recommendation for connection of regulators, filters and other accessories. Do not install quick couplers directly on air tool, it puts unnecessary strain on the air inlet threads, instead install a short length of air hose to the tool. Do not over tighten fitting connecting to the air tool; this could cause the housing to crack. Use Teflon tape or pipe sealant carefully to prevent excess from entering the air tool.

TOOL SPECIFICATIONS

Pressure Range.....	30-150 PSI
Recommended Working Pressure.....	90 PSI
Pressure Ratio.....	40 to 1
Output Pressure Range.....	1200 to 6000 PSI
Air inlet (NPT).....	1/4"
Hose size (ID).....	3/8"



Wear hearing protection.
Wear eye protection.
Wear respiratory protection.



Read the instruction manual

INSTRUCTIONS FOR FILLING GREASE GUN

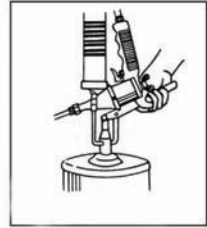
CARTRIDGE LOADING:

- A) Remove the gun head from the container tube.
- B) Draw back the plunger handle entirely.
- C) Insert open end of cartridge into container tube and push all the way in. Remove the seal or pull tab end from the cartridge.
- D) Reassemble the gun head to the container tube. Press the catch plate and release the piston rod. Pull down the plunger handle.



LOADING WITH FILLER PUMP:

- A) Draw back the plunger handle entirely.
- B) Unscrew the round plug. Insert filler spout from the filler pump.
- C) Operate the filler pump to fill the container tube.
- D) Disconnect the grease gun from the filler pump.
- E) Press the catch plate and release the piston rod. Pull down the plunger handle.



BULK FILLING:

- A) Remove the gun head from the container tube.
- B) Draw back the plunger handle entirely. Fill bulk grease into empty container tube.
- C) Reassemble the gun head to the container tube. Press the catch plate and release the piston rod. Pull down the plunger handle.



IMPORTANT:

If cartridge loading is used, it could cause the rubber plunger to deform and to dry-out. If you change to a different loading method, it is normal for a small amount of grease to seep out of the bottom of the container tube.

In order to avoid this problem, determine which method of load will be most frequently used, and if loading methods are changed regularly, please have spare plungers on hand and replace when loading method is changed.

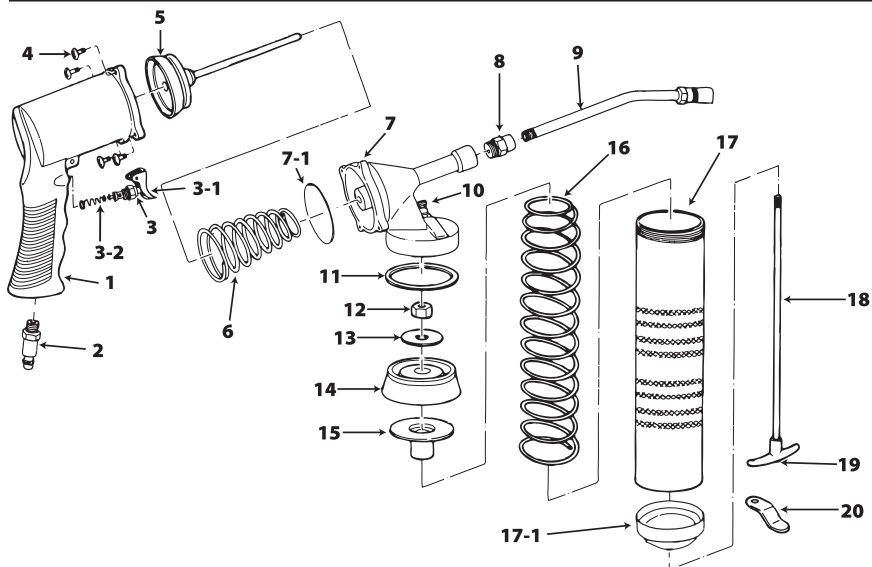


Wear hearing protection.
Wear eye protection.
Wear respiratory protection.



Read the instruction manual

PARTS BREAKDOWN



INDEX	PART	DESCRIPTION	QTY
1	700-1	Grip	1
2	700-2	Fitting	1
3	700-3	Switch	1
3-1	700-3-1	Trigger and pin	1
3-2	700-3-2	Switch spring	1
4	700-4	Body screw	4
5	700-5	Air plunger	1
6	700-6	Piston spring	1
7	700-1	Housing cap	1
7-1	700-1-1	Housing O-ring	1
8	700-8	Adapter	1
9	700-9	Spout	1
10	700-10	Round plug	1
11	700-11	Gasket	1
12	700-12	Plunger nut	1
13	700-13	Plunger washer	1
14	700-14	Plunger	1



Wear hearing protection.
Wear eye protection.
Wear respiratory protection.



Read the instruction manual

15	700-15	Plunger Gasket	1
16	700-16	Tube spring	1
17	700-17	Container tube	1
17-1	700-17-1	Bottom cap	1
18	700-18	Plunger rod	1
19	700-19	Plunger handle	1
20	700-20	Catch plate	1

TROUBLESHOOTING

SYMPTOMS	CAUSE	REMEDY
Grease gun does not run smoothly or loses its prime.	Lack of lubrication.	Lubricate as per instructions.
	Dirt in tool.	Clean tool and lubricate after cleaning.
	Rotor blades worn or motor bearing worn or dirty.	Replace blades, inspect clean or replace bearing.
Grease gun operates normally, but no output.	Air pockets inside container tube.	Unscrew spout from grease gun and unscrew container tube 1 or 2 turns, draw back plunger and rotate. release plunger into the container to help expel air pockets. Press trigger to check for grease flow repeat above steps in necessary. Re-tighten container tube re-attach spout securely.
Plunger does not operate grease cartridge.	Size of the cartridge not standard.	Check size of cartridge and replace if necessary.
	The end of cartridge tube damaged or irregular.	Check end of cartridge and fix or replace cartridge.
Grease leaks from spout.	Spout not tightened securely.	Tighten Spout securely.



Wear hearing protection.
Wear eye protection.
Wear respiratory protection.



Read the instruction manual



Wood Industries, Inc.
manufactures and distributes
top of the line, high quality

**AIR COMPRESSORS
AIR COMPRESSOR PARTS
AIR POWERED ACCESSORIES**

1-800-551-2406
www.eaglecompressor.com