

---

# **Kaishan Rotary Screw Air Compressor**

---

## **KRSD 125HP Parts Manual**

---

---

PN: 97002023000106

Release June 2023, Version: E

(115PSI/230V/460V/60HZ/FS/VSD/ASME/UL)

# TABLE OF CONTENTS

---

<b>Service Parts .....</b>	<b>3</b>
<b>Serial Number .....</b>	<b>3</b>
<b>Fluid Specification .....</b>	<b>4</b>
<b>Spare Parts .....</b>	<b>5</b>
<b>Airend and Inlet valve.....</b>	<b>6</b>
<b>Base Mounting.....</b>	<b>8</b>
<b>Reservoir .....</b>	<b>10</b>
<b>Driving System and Electrical Motor .....</b>	<b>12</b>
<b>Air Cooler .....</b>	<b>14</b>
<b>Fluid Piping.....</b>	<b>16</b>
<b>Air Piping.....</b>	<b>18</b>
<b>Cabinet(Fixed speed) .....</b>	<b>20</b>
<b>Cabinet(VSD) .....</b>	<b>22</b>
<b>Electrical Enclosure(Fixed speed).....</b>	<b>24</b>
<b>Electrical Enclosure(VSD) .....</b>	<b>26</b>
<b>Decals .....</b>	<b>28</b>
<b>Standard Terms and Conditions.....</b>	<b>31</b>
<b>Appendix.....</b>	<b>34</b>
<b>Contact Information .....</b>	<b>35</b>

## Service Parts

---

The following information must be provided for ordering service parts:

1. The serial number of unit must be provided. It will be verified to ensure correct replacement parts are ordered.
2. Service parts must be ordered from closest authorized distributor.
3. Exact part number, quantity and delivery method must be provided.

All service parts must be ordered through nearest authorized distributor. Insist on genuine manufacturer parts only. Failure to do so may void product warranty.

## Serial Number

---

The unit serial number can be found on serial number tag, which is located on the cabinet corner post of the unit. The serial number tag is shown as follows.



## Fluid Specification

---

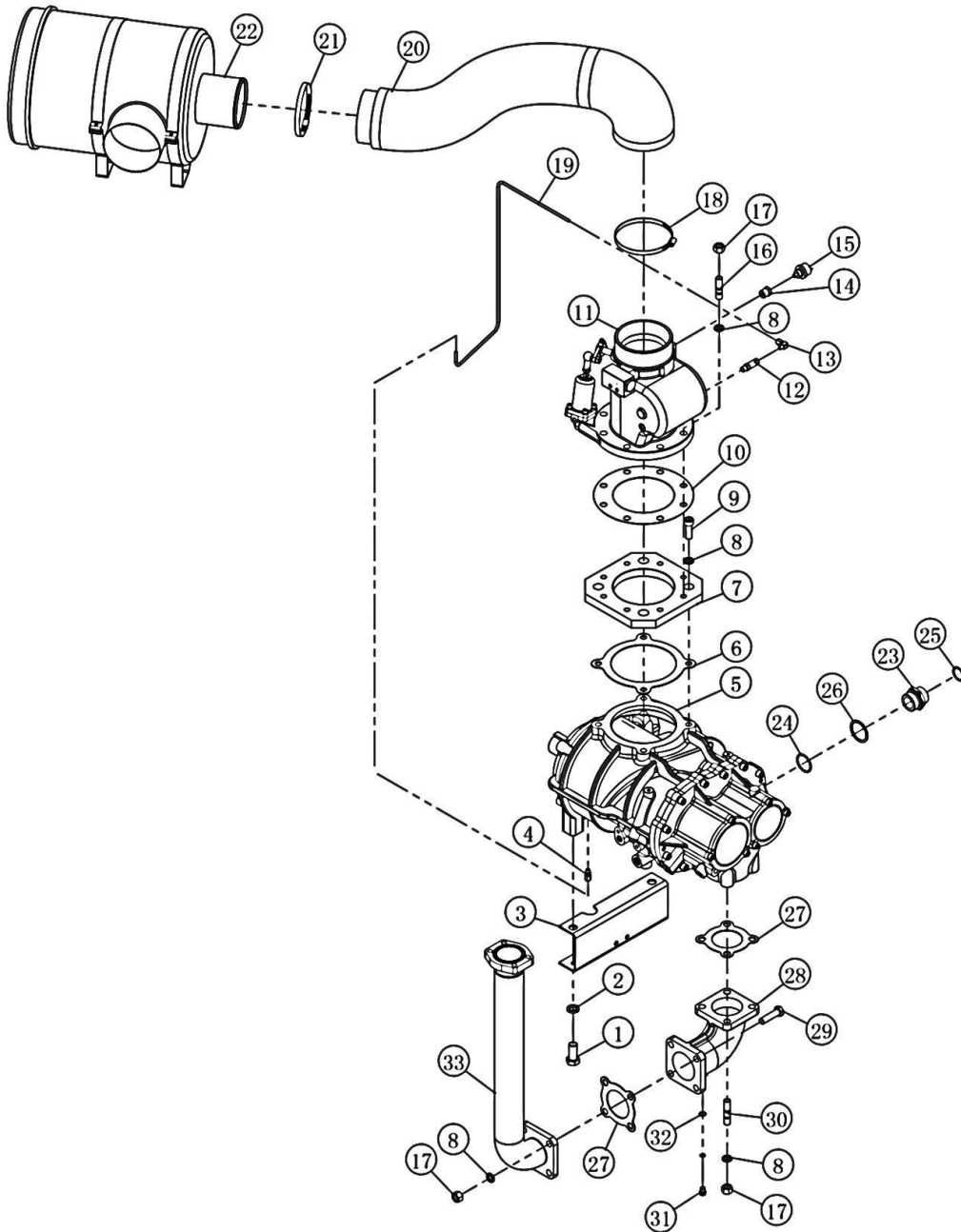
All KRSD Compressors must use KCA recommended fluid for maintenance.

## Spare Parts

Recommended spare parts are shown as follows:

ITEM	No.	QTY	PART NUMBER	DESCRIPTION		
1		1	56020 300440	Air filter element		
2		1	07709 13530 20	Oil filter		
3		1	07704 27324 00	Fluid/air separator element		

# Airend and Inlet valve



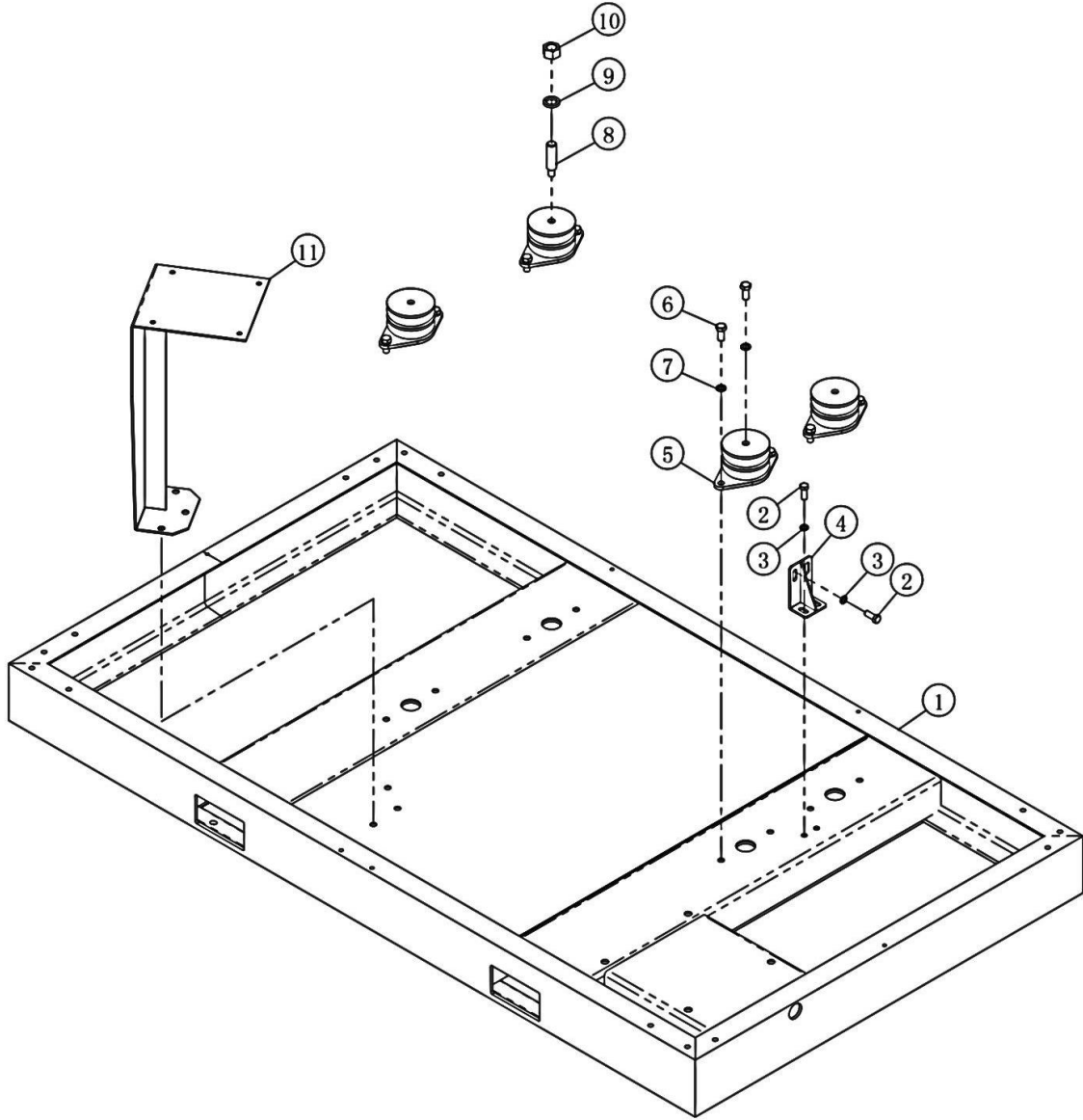
## Airend and Inlet valve

(GROUP PN: )

NO.	Version	PN	DESCRIPTION	QTY	REMARK
1		01307 20045 00	Bolt	2	M20×45
2		01365 20000 00	Washer	2	20
3		20558 01001 01	Airend support	1	
4		01512 06100 00	Joint	1	
5		4070101	Airend	1	
6	S04	19458 01002 01	Gasket	1	
7		20458 01002 01	Inlet flange	1	
8		01365 16000 00	Washer	14	16
9		01344 16045 00	Bolt	1	M16×45
10		02214 16220 80	Gasket	1	
11		01608 12001 00	Inlet valve	1	
11A*		04002 00120 00	Air cylinder, inlet valve		
11B*		01605 01500 02	Blowdown valve		
12		01610 03000 00	Check valve	1	
13		01513 06100 00	Joint	1	
14		95433 01100 00	Joint	1	R0.5-M10X1
15		02809 00102 00	DP switch,air filter	1	
16		01391 16045 00	Stud	8	M16×45
17		01322 16000 00	Nut	10	M16
18		04401 14516 50	Hoop	1	
19		20441 01002 01	Oil return pipe	1	
20		02907 15130 78	Flexible pipe	1	
21		04401 13015 00	Hoop	1	
22		07702 02030 44	Air filter system	1	
23		16315 07140 09	Joint	1	
24		02901 04500 30	O-ring	1	45X3.55
25		02901 03250 30	O-ring	1	32.5X3.55
26		02201 00040 00	Screw washer	1	
27	S05	19424 03004 00	Gasket	2	
28	S05	19424 03001 00	Airend discharge pipe	1	
29		01307 16060 00	Bolt	1	M16×60
30		01391 16050 00	Stud	1	M16×50
31		18404 03100 00	Screw plug	1	M12X1.5
32		02201 01215 00	Screw washer	1	
33		20558 03001 01	Airend discharge pipe	1	
34		02901 00950 10	O-ring	1	9.5X1.8

\*Item not shown on drawing.

# Base Mounting





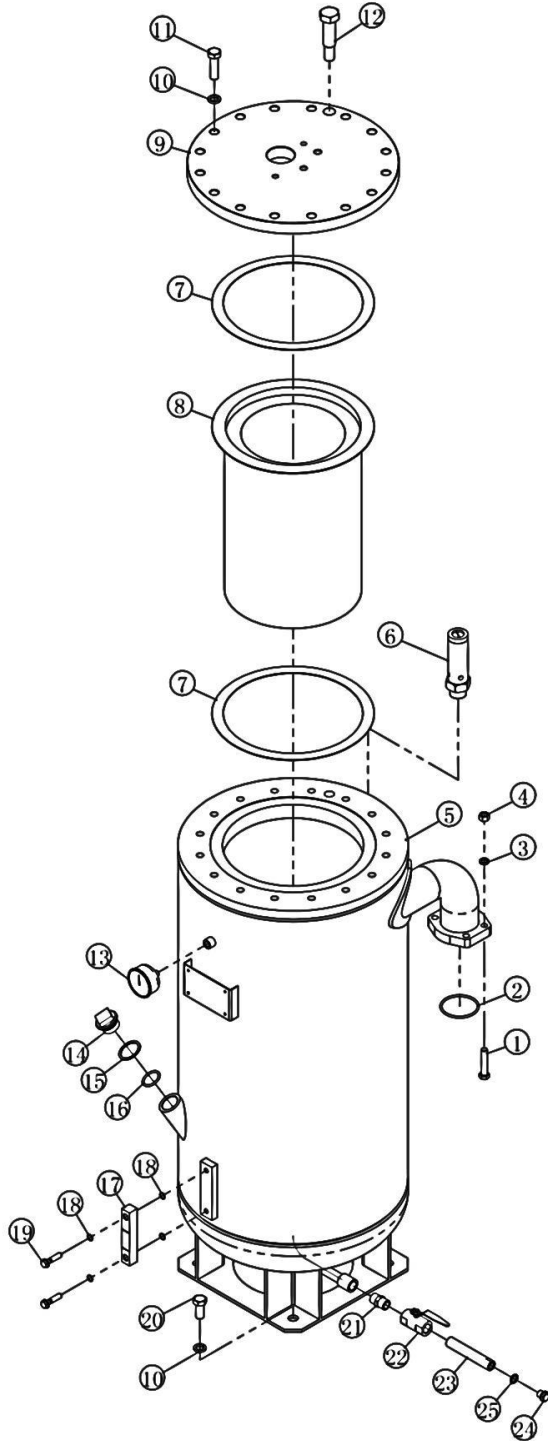
## Base Mounting

(GROUP PN: )

---

NO.	Version	PN	DESCRIPTION	QTY	REMARK
1		93433 02010 00	Base	1	
2		01307 12030 00	Bolt	2	M12×30
3		01365 12000 00	Washer	2	12
4		17415 00001 00	Fixed plate,shipping	1	
5		02905 00002 00	Absorber	4	
6		01307 14030 00	Bolt	10	M14×30
7		01365 14000 00	Washer	10	14
8		20424 02001 00	Stud	2	
9		01365 24000 00	Washer	2	24
10		01322 24000 00	Nut	2	M24
11		93433 02001 00	Air filter support	1	

# Reservoir



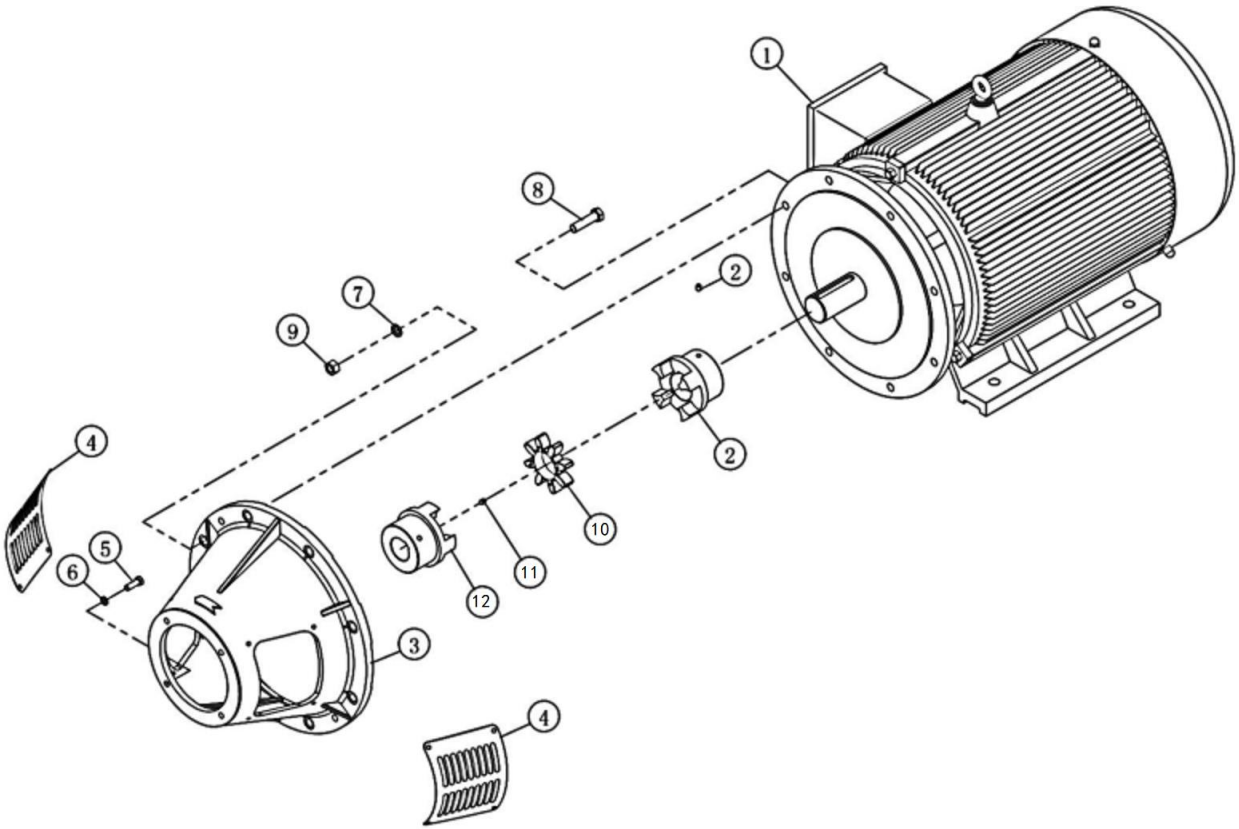
# Reservoir

(GROUP PN: )

NO.	Version	PN	DESCRIPTION	QTY	REMARK
1		01306 12055 00	Bolt	1	M12×55
2		02901 07100 30	O-ring	1	71X3.55
3		01365 12000 00	Washer	1	12
4		01322 12000 00	Nut	1	M12
5	S01	93433 03010 00	Fluid/air separator	1	ASME
	S01	93433 03010 92	Fluid/air separator	1	GB
6		01601 25100 05	Safety valve	1	
7		02216 27324 61	Element gasket	2	
8		07704 27324 00	Fluid/air separator element	1	
9	S01	93433 03010 10	Lid	1	
10		01365 16000 00	Washer	17	16
11		01307 16055 00	Bolt	16	M16×55
12		821141 103030	Bolt	1	
13		02801 06308 00	Pressure gauge	1	
14		13340 03003 00	Screw plug	1	
15		02201 03320 00	Screw washer	1	
16		02901 03350 30	O-ring	1	33.5X3.55
17		13315 03002 00	Oil sight glass	1	
18		02901 01060 10	O-ring	4	10.6X1.8
19		13315 03001 00	Hollow bolt	2	M10X40
20		01307 16035 00	Bolt	1	M16×35
21		13340 03004 00	Joint	1	
22		01613 01500 00	Ball valve	1	DN15
23	S02	20458 03002 01	Connecting pipe	1	
24		13315 03005 00	Screw plug	1	M14X1.5
25		01534 14000 00	Bonded washer	1	14

## Driving System and Electrical Motor

---

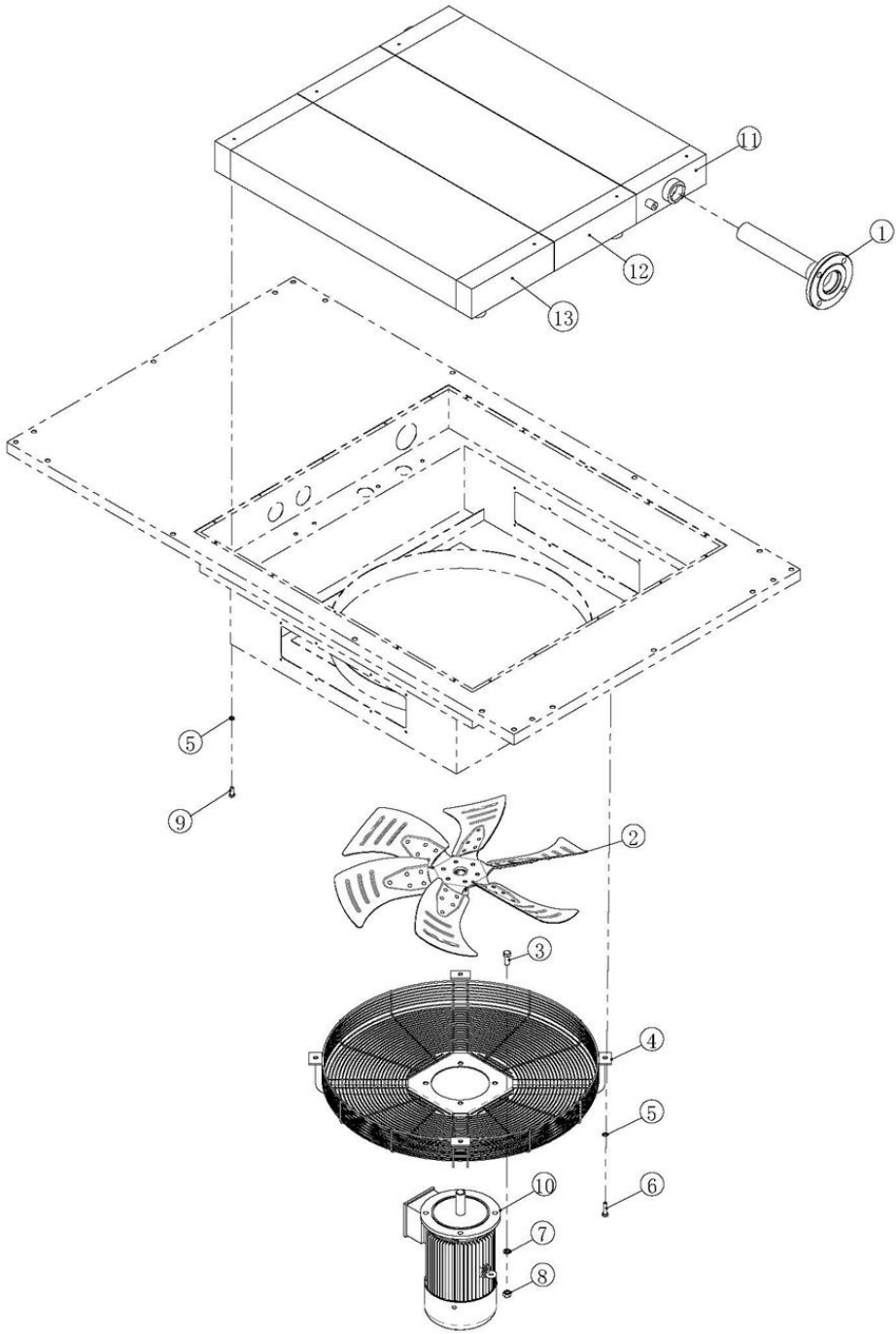


## Driving System and Electrical Motor

(GROUP PN: )

NO.	Version	PN	DESCRIPTION	QTY	REMARK
1		62090 46642 25	Motor	1	90kW/460V/60Hz/IE3
		62090 46942 25			90kW/460V/60Hz/VSD/IE3
2		01905 06506 50	Half coupling	1	
3		2790150	Connecting cylinder	1	
4		01910 13515 10	Cover	2	
5		01307 12035 00	Bolt	4	M12×35
6		01365 12000 00	Washer	4	12
7		01365 18000 00	Washer	8	18
8		01306 18070 00	Bolt	8	M18×70
9		01322 18000 00	Nut	8	M18
10		01908 06500 00	Elastomer	1	
11		01347 10010 00	Set bolt	2	M10X10
12		01905 06505 50	Half coupling	1	

# Air Cooler



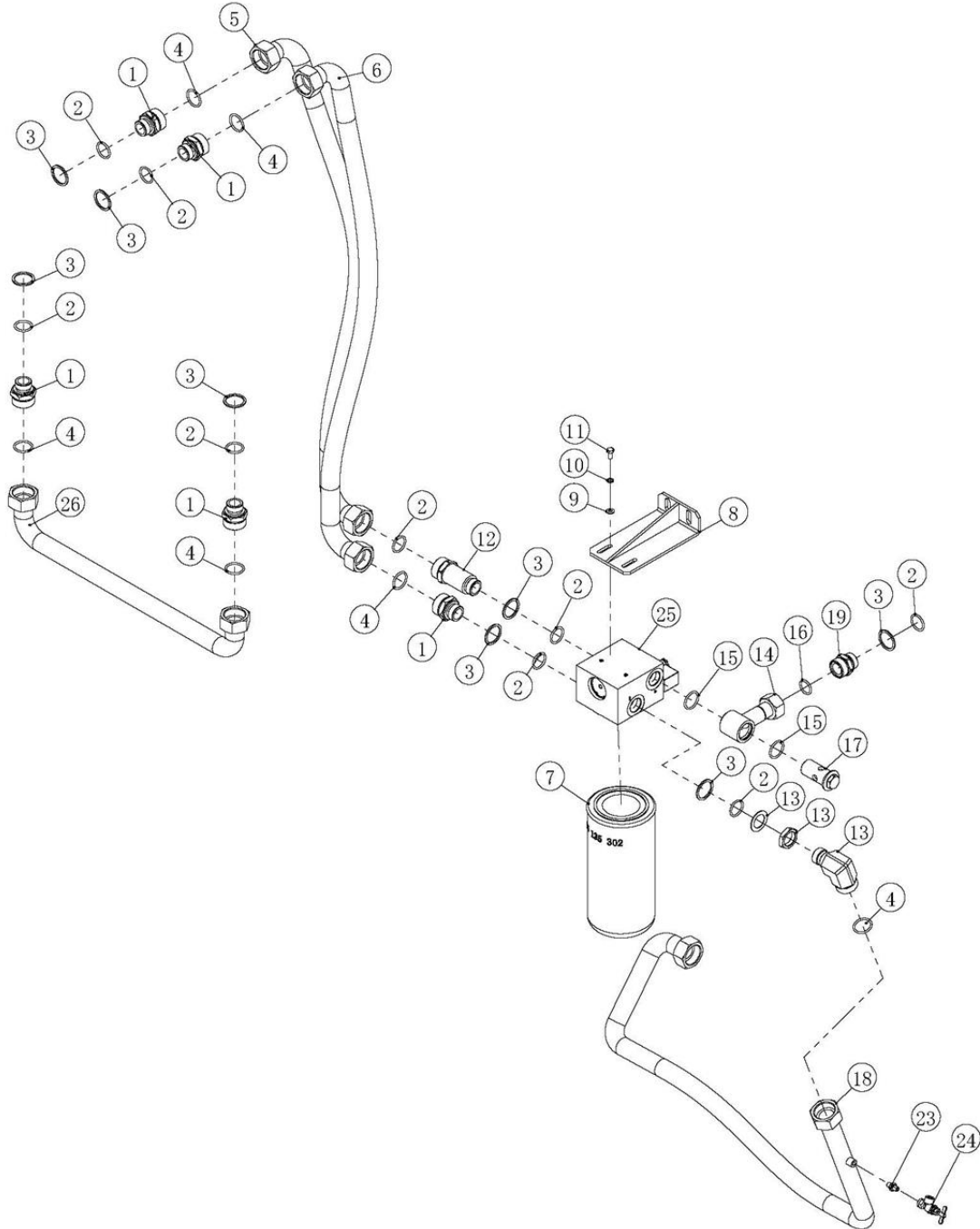
## Air Cooler

(GROUP PN: )

---

NO.	Version	PN	DESCRIPTION	QTY	REMARK
1		93433 05001 00	Discharge connecting pipe	1	
2		07204 80013 00	Fan	1	
3		01307 14035 00	Bolt	4	M14×35
4		07205 80097 00	Fan guard	1	
5		01365 10000 00	Washer	9	10
6		01306 10040 00	Bolt	1	M10×40
7		01365 14000 00	Washer	4	14
8		01322 14000 00	Nut	4	M14
9		01307 10025 00	Bolt	8	M10×25
10		66002 46651 25	WEG motor	1	3HP,IE3,460V,60HZ,SF1.1
11		20458 05020 00	After cooler	1	
12		20458 05010 20	Oil cooler	1	
13		20458 05010 10	Oil cooler	1	

# Fluid Piping





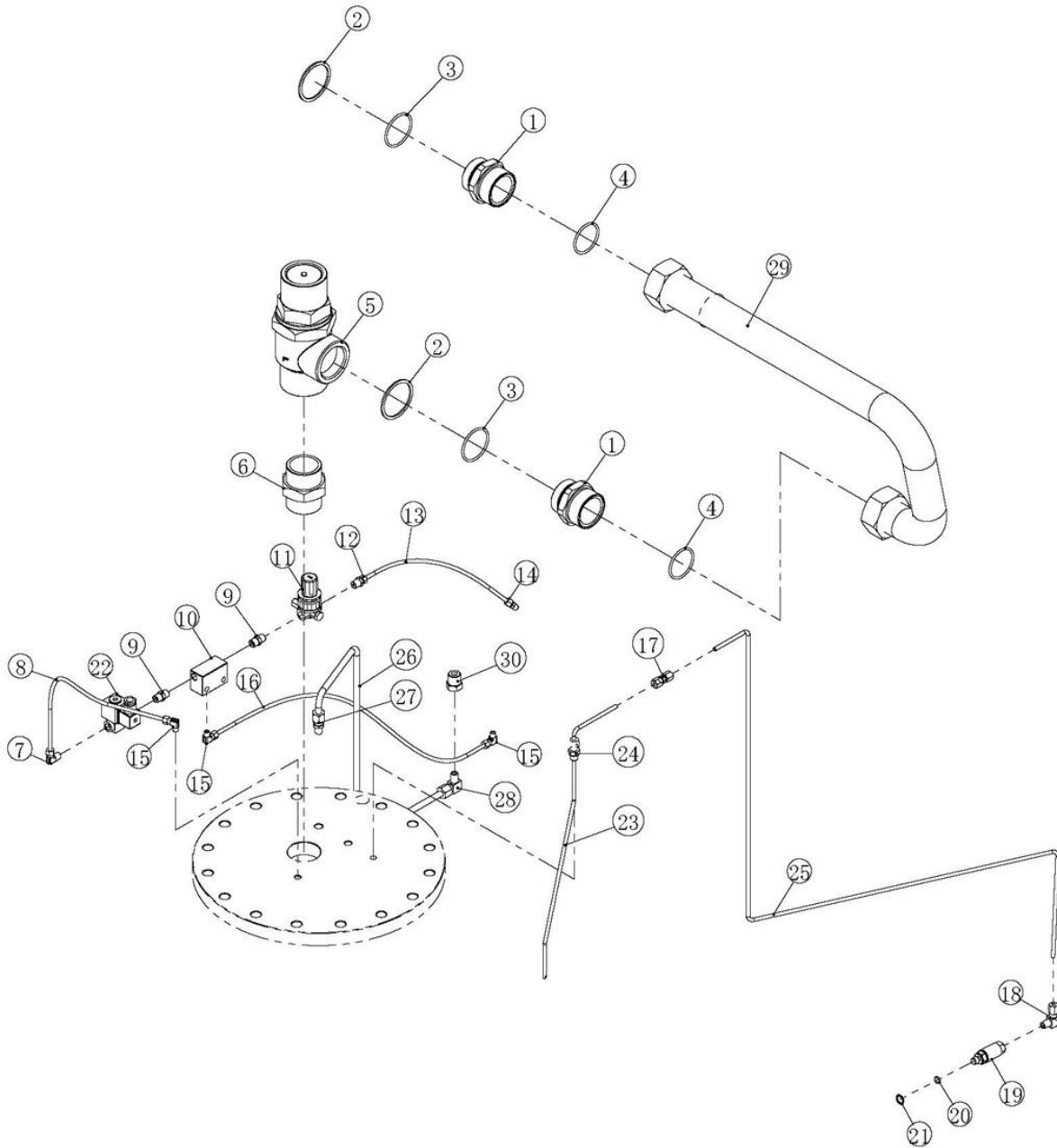
## Fluid Piping

(GROUP PN: )

NO.	Version	PN	DESCRIPTION	QTY	REMARK
1		19315 06001 09	Joint	5	G1-M45x2
2		02901 03000 30	O ring	9	30X3.55
3		02201 00025 00	Screw washer	8	
4		02901 03250 30	O ring	6	32.5X3.55
5	S01	93433 06001 00	Oil pipe	1	Inlet cooler
6	S01	93433 06002 00	Oil pipe	1	Outlet cooler
7		07709 13530 20	Oil filter	1	
8	S04	19458 06004 01	oil filter fixing plate	1	
9		01366 08000 00	Washer	1	8
10		01365 08000 00	Washer	1	8
11		01307 08016 00	Bolt	1	M8×16
12		19315 06002 09	Connecting pipe	1	
13		19316 06006 00	Adjustable elbow	1	
14		18404 06001 00	Inlet thermal valve joint	1	
15		02901 03350 30	O ring	2	33.5X3.55
16		02901 02580 30	O ring	1	25.8X3.55
17		98018 06003 00	Hollow bolt	1	
18	S01	93433 06003 00	Oil pipe	1	Inlet aierend
19		13315 07003 09	Joint	1	
20		01307 14030 00	Bolt	1	M14×30
21		01365 12000 00	Washer	1	12
22		01366 10000 00	Washer	1	10
23		98018 07011 06	Joint	1	
24		01613 00600 99	Sample valve	1	
25		01611 02583 08	Thermal valve	1	
*25A		04004 25083 03	Kit, Thermal valve	1	1 Spring, 1 Valve element, 1 Sleeve, 1 Oring 47.72x2.62
26		20458 06200 01	Cooler connecting pipe	1	

\*Item not shown on drawing.

# Air Piping



## Air Piping

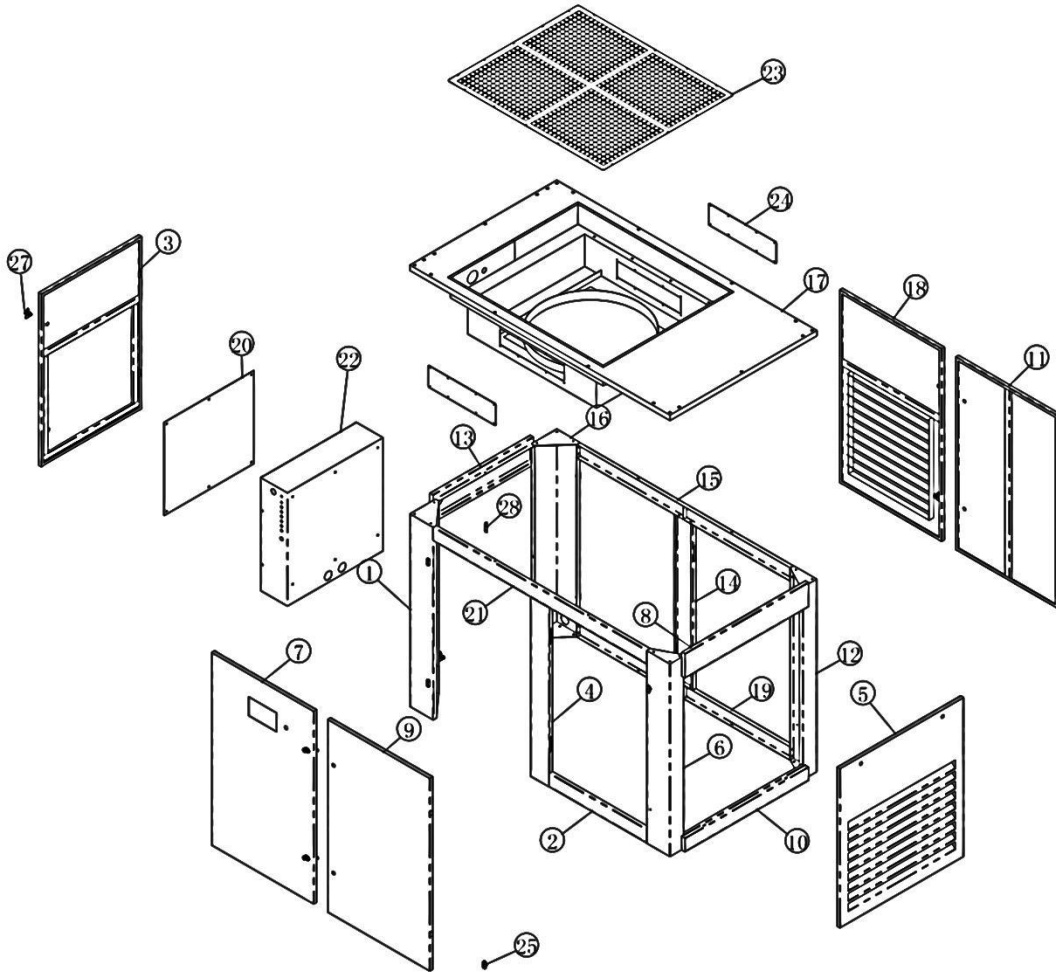
(GROUP PN: )

NO.	Version	PN	DESCRIPTION	QTY	REMARK
1		19315 07007 09	Joint	2	(G2-M64X2)
2		02201 00050 00	Screw washer	2	
3		02901 05600 30	O ring	2	56X3.55
4		02901 05150 30	O ring	2	51.5X3.55
5		01612 05001 00	MPV	1	
5A*		04006 05001 00	MPV kit	1	1 Check valve element, 1 Spring A, 1 O-ring 54.5x3.55, 1 Valve element, 1 O-ring 75x3.55, 1 Spring B
6		98018 07003 00	Joint	1	R2-R2
7		01517 06130 00	Joint	1	
8		20558 07002 01	Air control pipe	1	
9		98018 07011 00	Joint	2	
10		16315 07005 00	Connecting seat	1	
11		01604 00001 00	Reverse proportion valve	1	
12		01511 06130 00	Joint	1	
13		20558 07005 01	Air control	1	
14		01511 06100 00	Joint	1	
15		01517 06100 00	Joint	3	
16		20558 07004 01	Air control pipe	1	
17		01558 06000 00	Joint	1	
18		01513 06670 00	Joint	1	
19		16315 07010 00	Check valve	1	
20		02901 00950 10	O ring	1	9.5X1.8
21		02201 01215 00	Screw washer	1	
22		01603 31015 00	Solenoid valve	1	12bar,1.5
23		93433 07006 00	Scavenging pipe	1	
24		92217 03300 00	Joint	1	
25		93433 07002 00	Scavenging pipe	1	
26		93433 07005 00	Blowdown pipe	1	
27		01523 10130 00	Joint	1	
28		01513 10130 00	Joint	1	
29	S01	93433 07001 00	Air discharge pipe	1	
30		16315 07004 70	Joint	1	

\*Item not shown on drawing.

# Cabinet(Fixed speed)

---

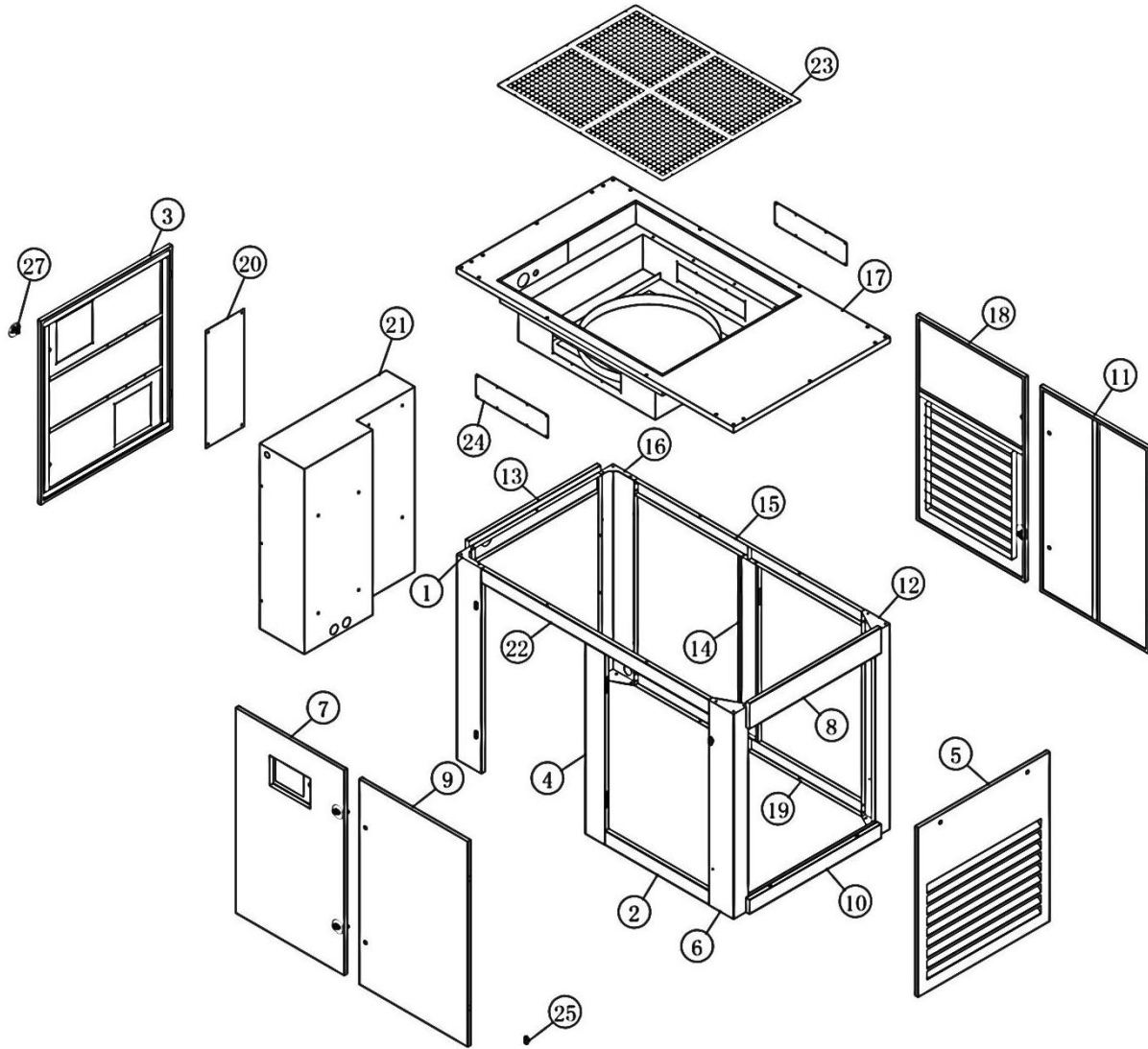


## Cabinet(Fixed speed)

(GROUP PN: )

NO.	Version	PN	DESCRIPTION	QTY	REMARK
1	S01	93433 08001 00	Support	1	
2	S01	93433 08002 00	Beam	1	
3	S01	93433 08003 00	Door	1	
4	S01	93433 08004 00	Support	1	
5	S01	93433 08005 00	Door	1	
6	S01	93433 08006 00	Support	1	
7	S01	93433 08007 00	Door	1	
8	S02	20458 08007 01	Beam	1	
9	S01	93433 08008 00	Door	1	
10	S02	20458 08009 01	Beam	1	
11	S01	93433 08009 00	Door	1	
12	S01	93433 08100 00	Support	1	
13	S01	93433 08110 00	Beam	1	
14	S01	93433 08120 00	Support	1	
15	S01	93433 08130 00	Beam	1	
16	S01	93433 08140 00	Support	1	
17	S01	93433 08150 00	Top cover	1	
18	S01	93433 08160 00	Inlet air door	1	
19	S01	93433 08170 00	Beam	1	
20	S01	93433 08180 00	Electric plate	1	
21	S01	93433 08200 00	Beam	1	
22	S01	93433 08210 00	Electric cabinet	1	
23	S02	20458 08220 01	Top net cover	1	
24	S02	20458 08240 01	Cover	2	
25		02702 22200 00	Hinge	10	
26		02702 71111 01	Lock	3	
27		02702 71111 03	Lock	2	
28		02702 00501 00	Lock	1	

# Cabinet(VSD)

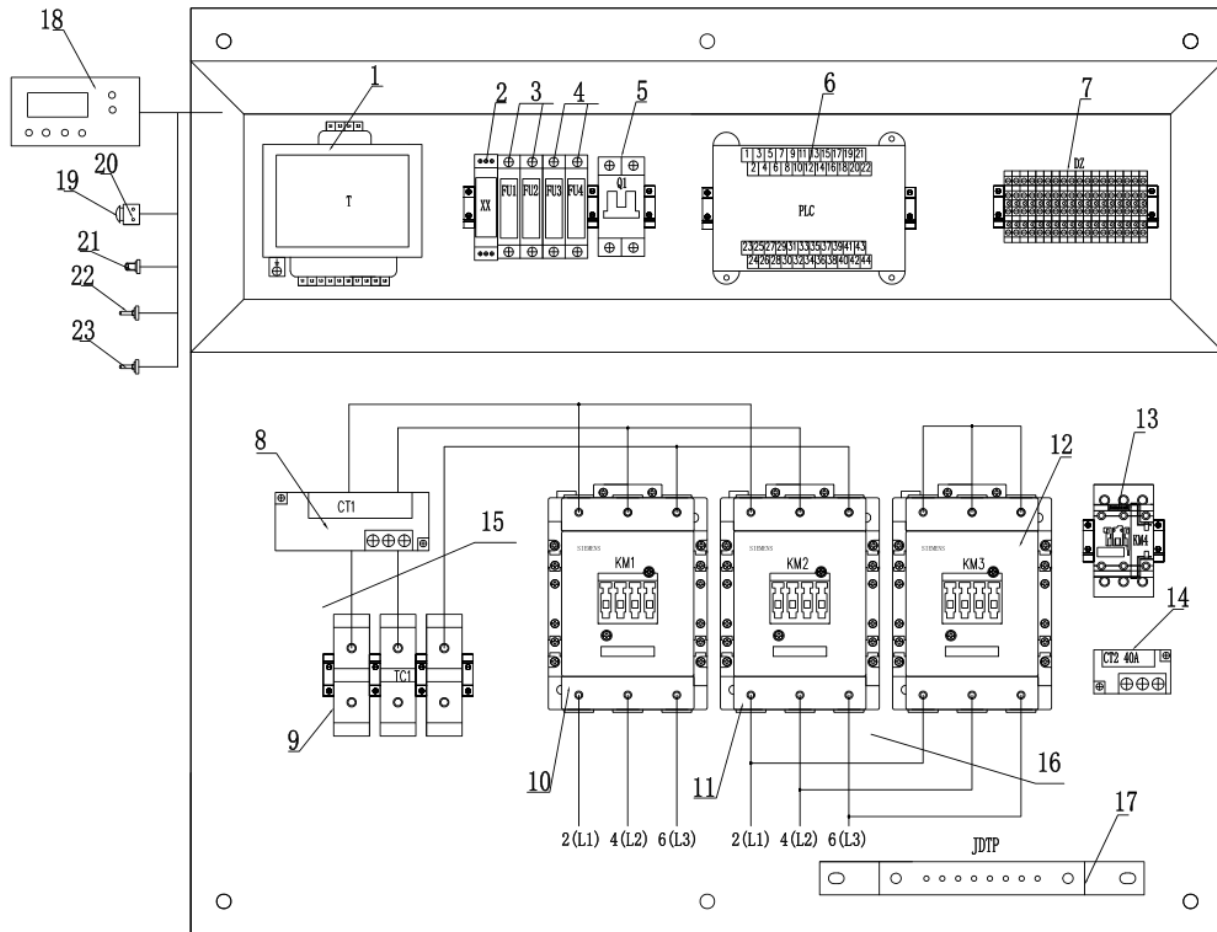


## Cabinet(VSD)

(GROUP PN: )

NO.	Version	PN	DESCRIPTION	QTY	REMARK
1	S01	93444 08001 00	Support	1	
2	S01	93433 08002 00	Beam	1	
3	S01	93444 08003 00	Door	1	
4	S01	93433 08004 00	Support	1	
5	S01	93433 08005 00	Air inlet panel	1	
6	S01	93433 08006 00	Support	1	
7	S01	93444 08007 00	Door	1	
8	S02	20458 08007 01	Beam	1	
9	S01	93433 08008 00	Door	1	
10	S02	20458 08009 01	Beam	1	
11	S01	93433 08009 00	Door	1	
12	S01	93433 08100 00	Support	1	
13	S01	93444 08110 00	Beam	1	
14	S01	93433 08120 00	Support	1	
15	S01	93433 08130 00	Beam	1	
16	S01	93444 08140 00	Support	1	
17	S01	93433 08150 00	Top cover	1	
18	S01	93433 08160 00	Air inlet panel	1	
19	S01	93433 08170 00	Beam	1	
20	S01	93444 08180 00	Electrical control board	1	
21	S01	93444 08190 01	Electrical box	1	
22	S01	93433 08190 00	Beam	1	
23	S02	20458 08220 01	Top mesh cover	1	
24	S02	20458 08240 01	Seal plate	2	
25		02702 22200 00	Hinge	10	
26		02702 71111 01	Lock	3	
27		02702 71111 03	Lock	1	
		07706 09806 02	Electrical cabinet air filter frame	2	
		160004-001	Filter element		
		07211 25091 20	Electrical cabinet fan	2	

# Electrical Enclosure(Fixed speed)





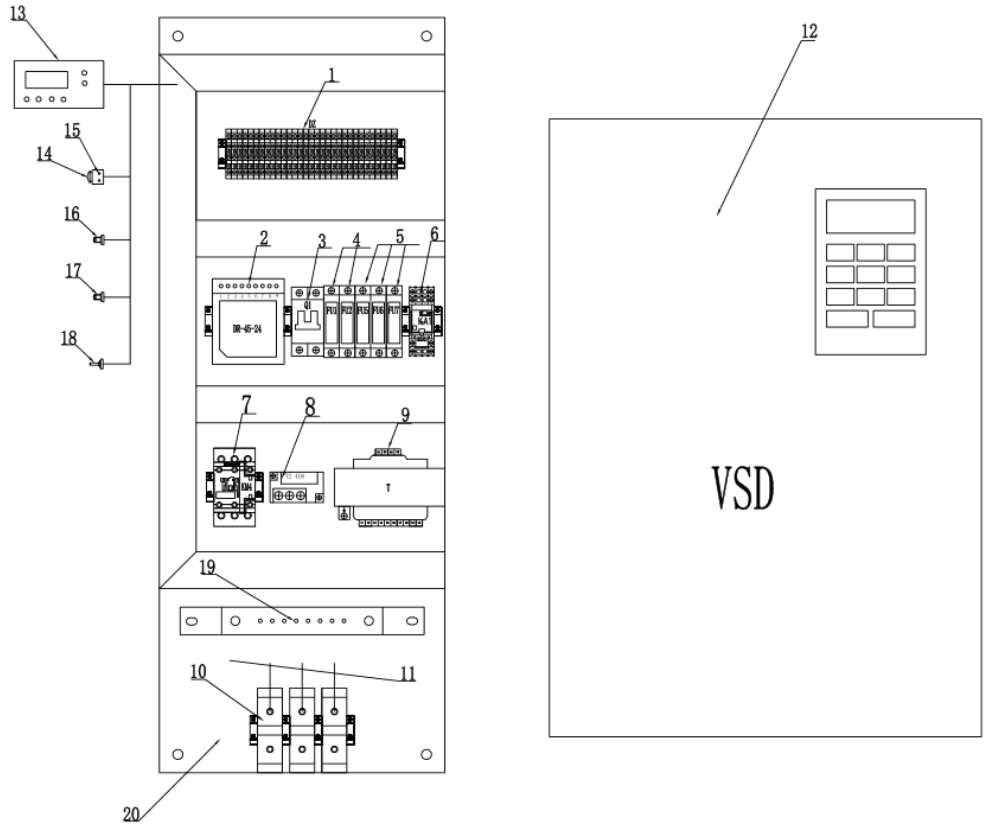
## Electrical Enclosure(Fixed speed)

(GROUP PN: )

NO.	PN	DESCRIPTION	QTY	REMARK
1	02818 05001 50	Transformer	1	T
2	02819 06526 00	Miniature circuit breaker	1	Q1
3	02820 00001 00	Fuse block	2	FU3-FU4
4	02820 00001 00	Fuse block	2	FU1-FU2
5	02814 00080 00	Phase protector	1	XX
6	02811 00240 55	Controller	1	PLC
7	08703 00004 00	Terminal block	18	DZ
8	08703 00095 00	Terminal block	3	TC1
9	02824 00400 01	Current transformer	1	CT1
10	02825 60150 01	AC contactor	1	KM1
11	02825 60150 01	AC contactor	1	KM2
12	02825 60115 01	AC contactor	1	KM3
13	02825 60012 01	Fan motor contactor	1	KM4
14	02824 20040 00	Fan motor transformer	1	CT2
15	08704 02070 00	Cable	1.2M	BVR
16	08704 02035 00	Cable	2.0M	BVR
17	02829 42524 50	Grounding copper bar	1	JDTP
18	02815 00202 02	Monitor	1	XSQ
19	02827 04844 00	Emergency button	1	JT
20	02827 04104 00	Emergency button support	1	JT
21	02810 00016 00	Pressure sensor	1	DP
22	02810 10004 00	Temperature sensor	1	DT
23	02810 10004 00	Temperature sensor	1	ST
*24	02821 10006 00	Fuse	2	FU1-FU2
*25	02821 10002 00	Fuse	2	FU3-FU4

Note: \* Items are not shown on the drawing.

# Electrical Enclosure(VSD)



## Electrical Enclosure(VSD)

(GROUP PN: )

NO.	PN	DESCRIPTION	QTY	REMARK
1	08703 00004 00	Terminal block	30	DZ
2	02808 04524 00	DC power supply	1	DR
3	02819 06526 00	Miniature circuit breaker	1	Q1
4	02820 00001 00	Fuse block	2	FU1-FU2
5	02820 00001 00	Fuse block	3	FU5-FU7
6	02814 00002 00	Intermediate relay seat	1	KA6
	02814 01102 00	Intermediate relay head	1	
7	02825 60012 01	Fan motor contactor	1	KM4
8	02824 20040 00	Fan motor transformer	1	CT2
9	02818 05001 50	Transformer	1	T
10	08703 00095 00	Terminal block	3	TC
11	08704 02070 00	Cable	2.4M	BVR
12	02828 04208 00	VSD	1	VSD
13	02811 15154 47	Monitor	1	XSQ
14	02827 04844 00	Emergency button	1	JT
15	02827 04104 00	Emergency button support	1	JT
16	02810 01082 00	Pressure sensor	1	DP
17	02810 04001 07	Temperature sensor	1	DT
18	02810 04001 07	Temperature sensor	1	ST
19	02829 42524 50	Grounding copper bar	1	JDTP
*20	02821 10006 00	Fuse	2	FU1-FU2
*21	02821 10002 00	Fuse	3	FU5-FU7

Note: \* Items are not shown on the drawing.

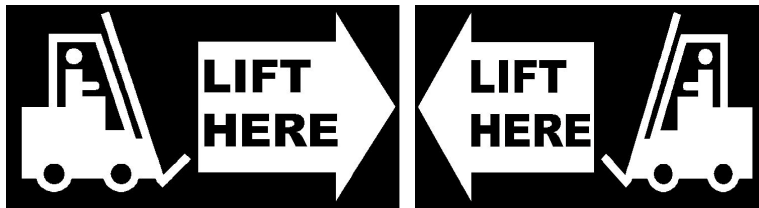
## Decals

---

Decals information is shown as following.



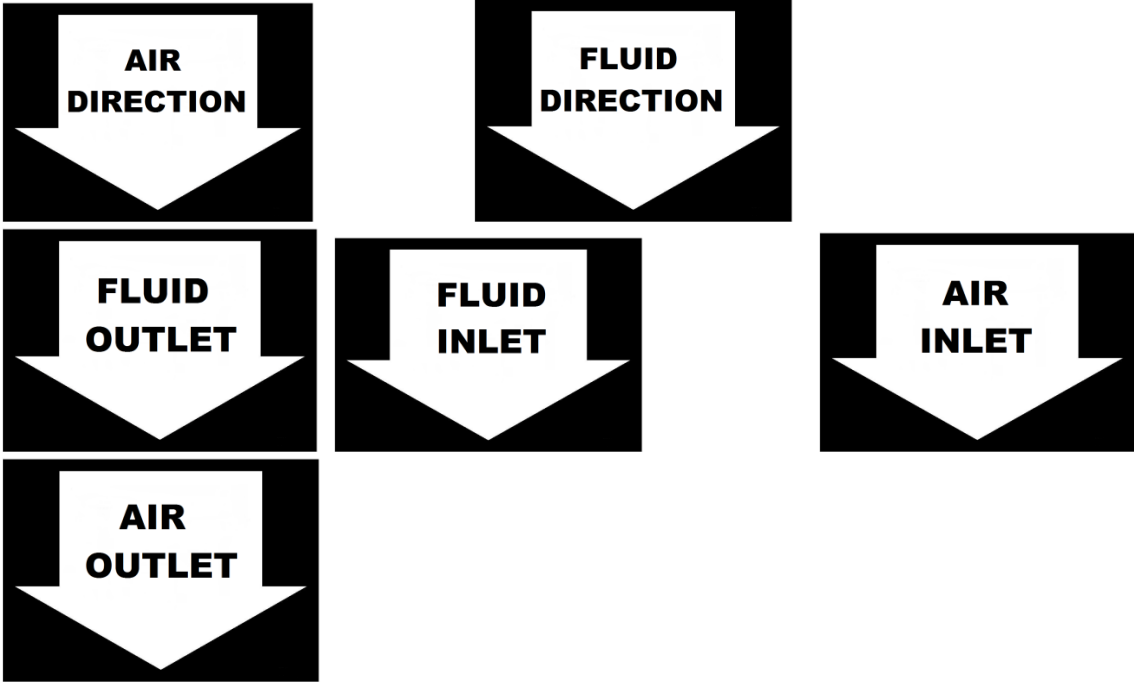
## Decals



### NOTE:

1. DECALS P/N : 142939

# Decals



**NOTE:**

- 1. DECALS P/N : 142939

## Standard Terms and Conditions

---

These terms and conditions govern the sale of Products (“Rotary Screw Air Compressors and parts”) and provisions of services by Kaishan Compressor USA, LLC., (Seller) and its authorized representative or buyer. These terms and conditions (“Agreement”) take precedence over Buyer’s supplemental or conflicting terms and conditions to which notice of objection is hereby given. Neither Seller’s commencement of performance or delivery shall be deemed or construed as acceptance of Buyer’s supplemental or conflicting terms and conditions. KCA’s failure to object to conflicting or additional terms will not change or add to the terms of this agreement. Buyer’s acceptance of the Products and/or Services from Seller shall be deemed to constitute acceptance of the terms and conditions contained herein.

**Orders:** All orders placed by Buyer are subject to acceptance by Seller. Orders may not be canceled or rescheduled without Seller’s written consent. All orders must identify the products, unit quantities, part numbers, applicable prices and requested delivery dates of the Products being purchased. Seller may at its sole discretion allocate Product among its Buyer. Seller may designate certain Products and Services as non-cancelable, non-returnable and the sale of such Products shall be subject to the special terms and conditions contained in Seller’s Customer Acknowledgement or Non-Returnable Product Form, which shall prevail and supersede any inconsistent terms and conditions contained herein or elsewhere.

**Prices:** The prices of the Products are those prices specified on the front of the invoice or contained within an agreed written contract. Price quotations shall automatically expire in thirty (30) days from the date issued, or as otherwise stated in the quotation.

**Taxes:** Unless otherwise agreed to in writing by Seller, all prices quoted are exclusive of transportation and insurance costs, duties, and all taxes including federal, state and local sales, excise and value added, goods and services taxes, and any other taxes. Buyer agrees to indemnify and hold Seller harmless for any liability for tax in connection with the sale, as well as the collection or withholding thereof, including penalties and interest thereon. When applicable, transportation and taxes shall appear as separate items on Seller’s invoice.

**Payment:** Payment may be made by check, money order, credit card, or wire transfer (all fees are borne by the Buyer). Where Seller has extended credit to Buyer, terms of payment shall be net thirty (30) days from date of invoice, without offset or deduction. On any past due invoice, Seller may impose a monthly interest rate. If Buyer fails to make the required payments the Seller will impose the interest rate each month. If Buyer fails to make each payment when it is due, Seller reserves the right to withdraw credit and thereby suspend or cancel performance under any or all purchase orders or agreements in which Seller has extended credit to Buyer. In the event of default by Buyer, Seller shall be entitled to costs, fees, and expenses including but not limited to recovery of attorney fees, court costs and fees, and collections costs.

## Standard Terms and Conditions

---

**Delivery and Title:** The locations of shipment delivery will be made according to the Seller and Buyer agreement. Title and risk of loss pass to the Buyer upon delivery of the Product to the carrier. Seller's delivery dates are estimates only and Seller is not liable for delays in delivery or for failure to perform due to causes beyond the reasonable control of the Seller, nor shall the carrier be deemed an agent of the Seller. A delayed delivery of any part of an Order does not entitle Buyer to cancel other deliveries. KCA will comply with various federal, state and local laws and regulation concerning occupational health, safety and environment concerns. Buyer has full responsibility to comply with those laws and regulations during the installation and operation of the equipment.

**Acceptance / Returns:** Shipments will be deemed to have been accepted by Buyer upon delivery of the said shipments to Buyer unless rejected upon receipt. Buyer shall perform all inspections and tests. Buyer deems necessary as promptly as possible but in no event later than 7 days after receipt of Products, at which time Buyer will be deemed to have irrevocably accepted the Products. Any discrepancy in shipment quantity must be reported within 7 days after receipt of Products. Buyer may not return Products without a Return Material Authorization ("RMA") number. RMA's valid for 30 days from the date issued.

**Standard Warranty:** Buyer will honor Product warranties and indemnities authorized by the manufacturer, including any transferable. 90 days warranty is given for service parts from receipt date. Seller warrants to Buyer that Products purchased hereunder will conform to the applicable manufacturer's specifications for such products and that any value-added work performed by Seller on such Products will conform to applicable Buyer's specifications. If Seller breaches this warranty, Buyer's remedy is limited to (at Seller's election) (1) refund of Buyer's purchase price for such Product (without interest), (2) repair of such Products, or (3) replacement of such Products provided that such Products must be returned to Seller, along with acceptable evidence of purchase within 13 days from date of delivery, transportation charges prepaid. No warranty will apply if the Product has been subject to misuse, neglect, accident or modification.

**Limitation of Liabilities:** Buyer shall not be entitled to, and Seller shall not be liable for, loss of profit or revenue, promotional or manufacturing expenses, overheads expenses, business interruption cost, loss of data, removal or reinstallation costs, injury to reputation of buyer, punitive damages, loss of contractor orders or any indirect, special, incidental or consequential damages of any nature. Buyer's recovery from seller for any claim shall not exceed the purchase price paid for the affected products irrespective of the nature of the claim whether in contract, tort, warranty, or otherwise. Buyer will indemnify, defend and hold seller harmless from any claims based on (a) Seller's compliance with buyer's designs, specifications, or instructions, (b) Modification of any products by anyone other than Seller, or (c) use in combination with other products not supplied by seller.



## Standard Terms and Conditions

---

**Use of Products:** Unless otherwise specified. Products sold by Seller are not designed, intended or authorized for use in life support, life sustaining, nuclear, or other applications in which the failure of such Products could reasonably be expected to result in personal injury, loss of life or catastrophic property damage. If buyer uses or sales the Products for use in any such applications: (1) Buyer acknowledges that such use or sale is at Buyer's sole risk; (2) Buyer agrees that Seller and the manufacturer of the Products are not liable, in whole or in part, for any claim or damage arising from such use; and (3) Buyer agrees to indemnify, defend and hold Seller and the manufacturer of the Products harmless from and against any and all claims, damages, losses, costs, expenses and liabilities arising out of or in connection with such use or sale.

**Force Majeure:** Seller is not liable for failure to fulfill its obligations for any accepted Order or for delays in delivery due to causes beyond Seller's reasonable control including, but not limited to, acts of God, natural or artificial disaster, riot, war, strike, delay by carrier, shortage of Product, acts or omissions of other parties, acts or omissions of civil or military authority, Government priorities, changes in law, material shortages, fire, strikes, floods, epidemics, quarantine restrictions, acts of terrorism, delays in transportation or inability to obtain labor, materials or products through its regular sources, which shall be considered as an event of force majeure excusing Seller from performance and barring remedies for non-performance. In an event of force majeure condition, the Seller's time for performance shall be extended for a period equal to the time lost as a consequence of the force majeure condition without subjecting Seller to any liability or penalty. Seller may, at its option, cancel the remaining performance, without any liability or penalty, by giving notice of such cancellation to the Buyer.

**General:** (a) Seller will comply with state law for any dispute from buyer. (b) Buyer may not assign this Agreement without the prior written consent of Seller. Seller or its affiliates may perform the obligations under this Agreement. This Agreement is binding on successor and assigns, (c) Products, including software or other intellectual property, are subject to any applicable rights of third parties, such as patents, copyrights and/or user licenses.

## Appendix

*(If your machine is standard, this page is blank.)*

## Contact Information

---

Kaishan Compressor, LLC.,  
Add.: 15445 Industrial Park Dr. Loxley, AL , Post code: 36551  
Office number: +1 251-202-0577  
[www.KaishanUSA.com](http://www.KaishanUSA.com)