

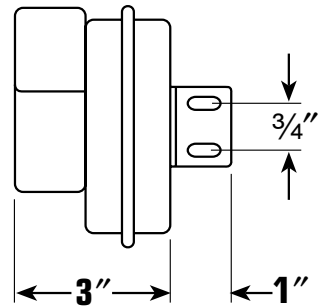
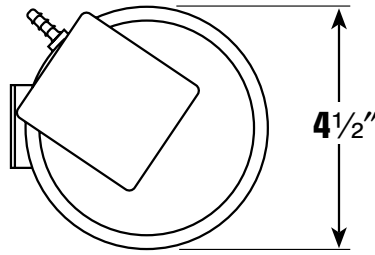
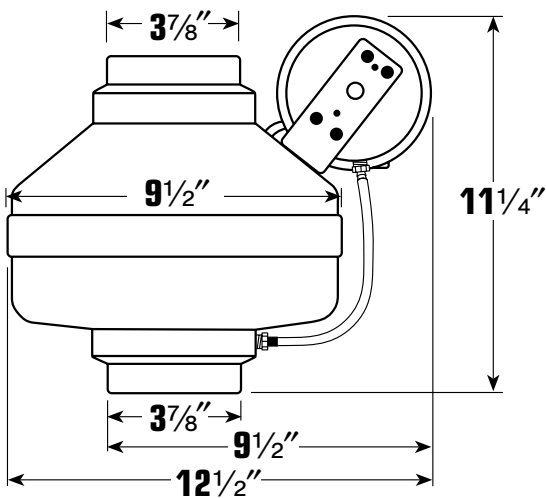


SUBMITTAL DATA

**DBF 110
Dryer Exhaust Booster**

Model	Avg Wt. (lbs)
DBF 110	7

- STANDARD FEATURES**
- ABS-PC blend thermo plastic housing
 - Permanently lubricated sealed ball bearings
 - Self-cleaning backward curved impeller
 - Automatic reset thermal overload protection
 - Five-year factory warranty



Fan Specifications							Motor Specifications				
Line	Qty	Model No.	Tag	CFM	SP	Fan RPM	Watts	Volts	Phase	Hertz	Encl
1											
2											
3											
4											
5											

Accessory Items	1	2	3	4	5	Accessory Items	1	2	3	4	5
<input type="checkbox"/>						<input type="checkbox"/>					
<input type="checkbox"/>						<input type="checkbox"/>					
<input type="checkbox"/>						<input type="checkbox"/>					
<input type="checkbox"/>						<input type="checkbox"/>					
<input type="checkbox"/>						<input type="checkbox"/>					

Project: _____ Submitted: _____
 Customer: _____ Approved: _____
 Location: _____

