



SERVICE PARTS LIST

BULLETIN NO.
54-04-1830

SPECIFY CATALOG NO. AND SERIAL NO. WHEN ORDERING PARTS			REVISED BULLETIN	DATE
M18 XC 5.0 AHR BATTERY PACK				Sept. 2014
CATALOG NO.	48-11-1850	SERIAL NUMBER	G29A	
			WIRING INSTRUCTION	

EXAMPLE:
Component Parts (Small #)
Are Included When Ordering
The Assembly (Large #).

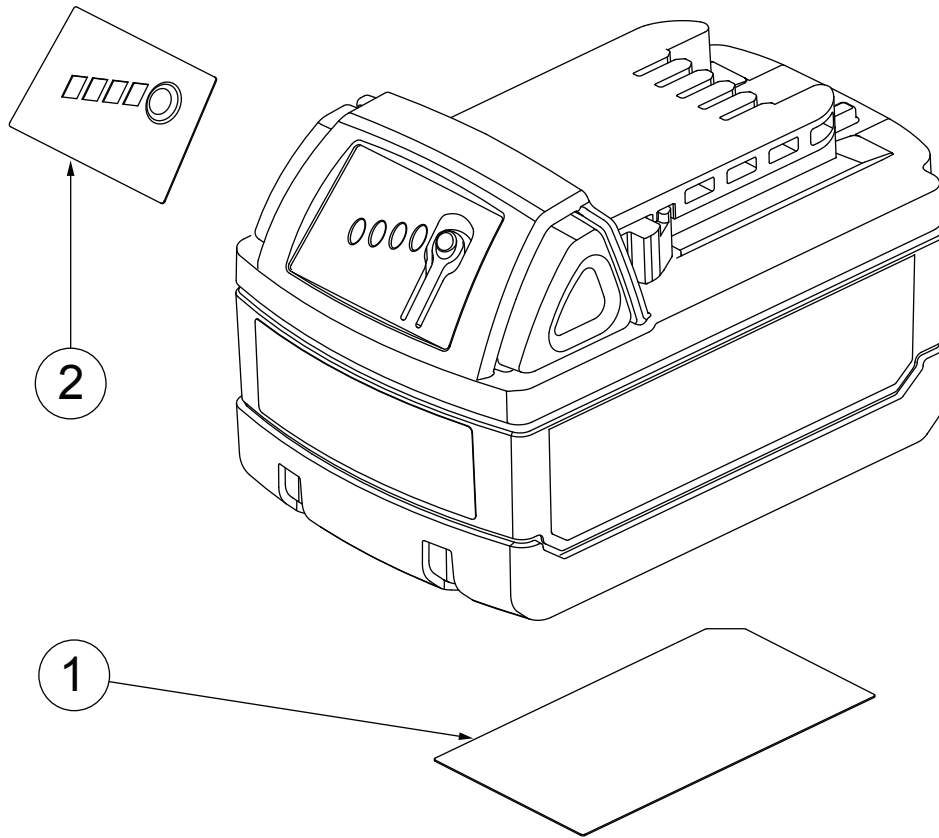


FIG.	PART NO.	DESCRIPTION OF PART	NO. REQ.
1	12-20-1815	Service nameplate	(1)
2	10-20-4305	Front label	(1)

FIG. NOTES
1, 2 A clean, dry surface is essential for proper performance for any adhesive system. The area intended for application of any adhesive label or nameplate must be prepared by cleaning with isopropyl alcohol. The solvent is to be applied with a clean, lint free applicator and the surface allowed to dry before applying the label or name plate.