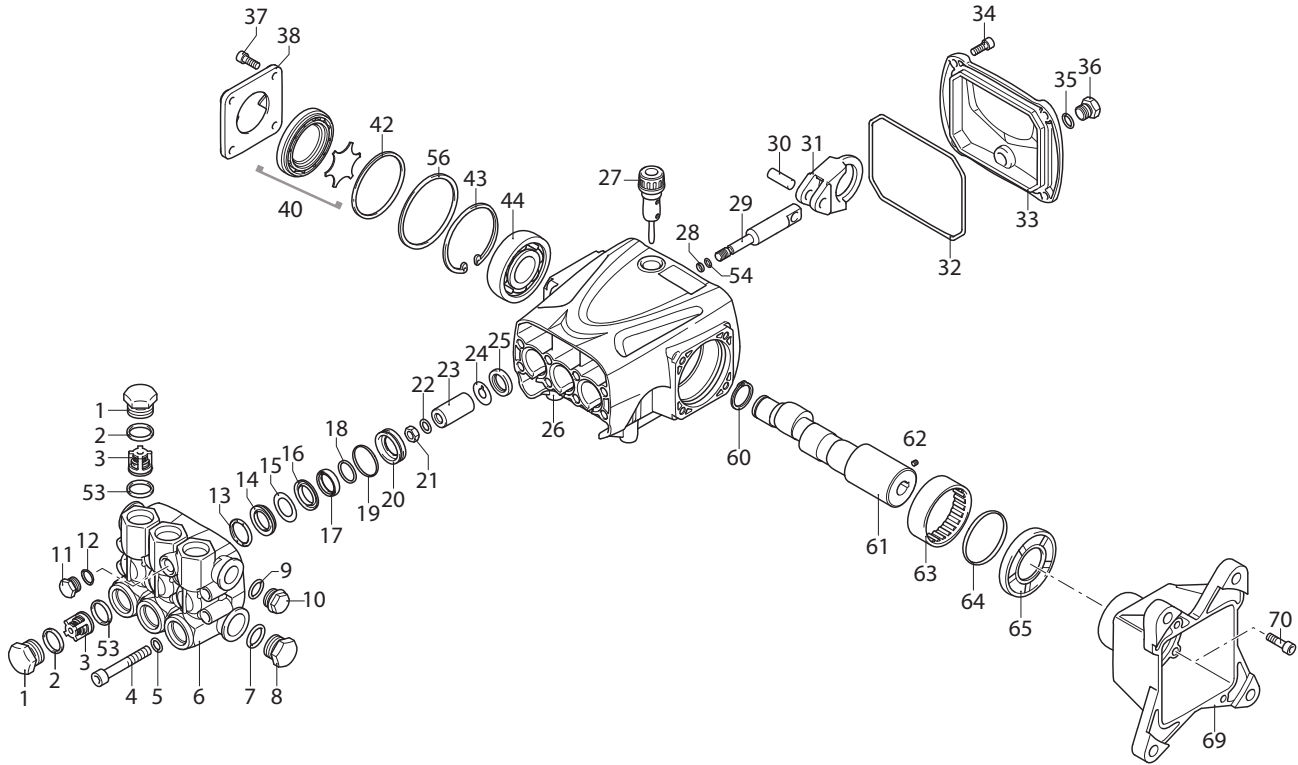
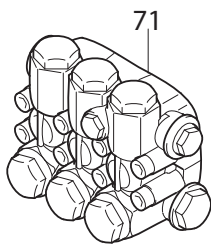


A.R. NORTH AMERICA RRV 3400 RPM



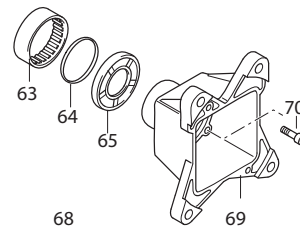
44 - 1

Complete Pump Head



44 - 2

Complete Flange Assembly



44 - 3

RRV 3400 RPM PARTS/KITS

Commercial Pumps

Pos	Code	Description	Qty	Note
1	960090	Valve Cap Brass (478 in/lbs)	6	
2	960160	O-Ring Ø 17.86x2.62	6	
3	889052	Complete Valve	6	
4	800860	Head Bolt M 8x55 (225 in/lbs)	8	
5	1381850	Lock Washer	8	
6	3220090	Blank Head	1	
7	180101	O-Ring Ø 17.5x2	1	
8	820361	Plug 1/2" G (354 in/lbs)	1	
9	740290	O-Ring Ø 14x1.78	1	
10	1989600	Plug 3/8" G Brass, w/O-ring (221 in/lbs)	1	
11	880581	Plug 1/4" G (133 in/lbs)	1	
12	820510	O-Ring Ø 10.82x1.78	1	
13	2760220	Support Ring 15mm	3	
14	1342761	High Pressure Seal	3	
15	3200680	Ring	3	
16	3220150	Front Piston Guide	3	
17	3200690	Low Pressure Seal	3	
18	3200700	Fiber Ring	3	
19	770260	O-Ring Ø 23.52x1.78	3	
20	3220140	Rear Piston Guide	3	
21	1260110	Nut M8 (106 in/lbs)	3	
22	1260100	Washer 8x13x0.50	3	
23	1780070	Piston	3	
24	1260091	Washer (slinger)	3	
25	1260460	Oil Seal	3	
26	3220010	Pump Body	1	
27	880130	Oil Cap (Vented Dipstick)	1	
28	480480	O-Ring Ø 4.48x1.78	3	
29	3220060	Piston Rod	3	
30	3220070	Connecting Rod Pin	3	
31	3220040	Connecting Rod Alum.	3	○ ● □
	3220560	Connecting Rod Bronze	3	■
32	651540	O-Ring Ø 107.62x2.62	1	
33	3220030	Rear Cover	1	
34	3200220	Bolt TCEI 6x16 (71 in/lbs)	4	
35	820510	O-Ring Ø 10.82x1.78	1	
36	880581	Plug 1/4" G (133 in/lbs)	1	
37	1200430	Bolt M 6x16 (92 in/lbs)	4	
38	3200070	Side Cover	1	
40	3229603	Oil Indicator	1	
42	650560	O-Ring Ø 56.82x2.62	1	
43	200390	Retainer Ring Ø i 62	1	
44	1981210	Bearing	1	
53	880830	O-Ring Ø 15.54x2.62	6	
54	1080550	Fiber Ring	3	
56	3220780	Washer Ø 61.8x0.5	1	

Pos	Code	Description	Qty	Note
60	1260770	Retainer Ring Ø 25	1	
	3220240	Hollow Shaft Ø 1", 5 ID Stamp	1	□ ■
61	3220450	Hollow Shaft Ø 1", 6 ID Stamp	1	●
	3220460	Hollow Shaft Ø 1", 7 ID Stamp	1	○
62	820440	Set Screw M6x6	1	
63	3220260	Bearing	1	
64	3220430	O-Ring Ø 56.87x1.78	1	
65	3220270	Shaft Oil Seal	1	
66	780060	Bolt M6x25 (92 in/lbs)	4	
68	41866	Complete Flange Assembly	1	
69	3220250	Blank Flange	1	
70	780330	Bolt TCEI M6x20 (92 in/lbs)	4	
71	42638	Complete Head Brass	1	○ ● □
	43360	Complete Head H	1	■

AR64516 Oil (16 oz) - Capacity 13.35 oz, QTY 1
Pumps are Prefilled with Oil from the Factory.
Change oil every 3-5 months or every 500 hours of operation.
H = Nickel Plated
Tightening torque (Tolerance + 0 ÷ -10%)

OPTIONAL PARTS/KITS				
Pos	Code	Description	Qty	Note
1	960850	Valve Cap SST (478 in/lbs)	6	
1	960090T	Tapped Valve Cap Threaded 1/4" brass (478 in/lbs)	1	
1	960850T	Tapped Valve Cap Threaded 1/4" SST (478 in/lbs)	1	
	2191	Support Ring Kit	1	Pos 13
	42550	O-Ring Kit	1	Pos 2,7,9,19,28,32,35,42

LEGEND		
Symbol	Material	Description
○	-	RRV3G36D
●	-	RRV3.5G36D
□	-	RRV4G36D
■	-	RRV4G40D

Valve Kit 1828	
Pos.	Qty
3	6
53	6

Piston Kit 2544	
Pos.	Qty
23	3

Water Seal Kit 42556	
Pos.	Qty
14	3
15	3
17	3
18	3
19	3

Oil Seal Kit 42555	
Pos.	Qty
25	3
65	1

Piston Guide Kit 42557	
Pos.	Qty
16	3
20	3

COUNTRY OF ORIGIN: CHINA/ITALY
LAST UPDATED: APRIL 2023