

# INSTALLATION MANUAL

## 50-inch FastAttach™ XTREME Mulch Kit — 19A30039100

Model 19A30039100 mulch kit is designed for use with select 50-inch triple-blade stamped cutting decks. Refer to your tractor's Operator's Manual to assure compatibility.

### Carton Contents

Before beginning installation, remove all parts from the carton to make sure everything is present. Carton contents are listed below and shown in Figure 1-1. Part numbers are shown in parentheses.

- Three Mulching Blades (942-01050-X)
- One 50" Deck Mulch Plug Assembly (631-05178)
- One Wing Knob (720-04122)
- One Chute Adapter (731-10133)

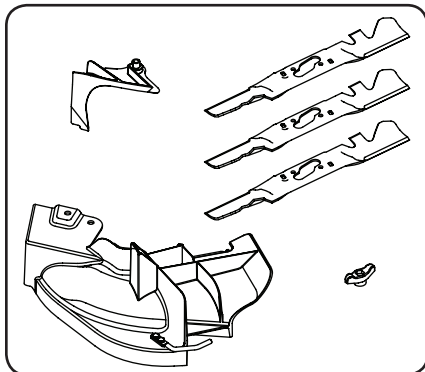


Figure 1-1

### Blade Installation



**WARNING:** Before beginning installation, place the tractor on a firm and level surface, set the parking brake, place the PTO in the disengaged (OFF) position, stop the tractor's motor and remove the ignition key and remove spark plug to prevent unintended starting.



**WARNING:** Cutting blades are sharp. Always protect hands by wearing heavy leather work gloves to grasp blades.

### Removing the Blade

1. Set the mower deck height to its highest position as instructed in your mower operator's manual.
2. Turn the tractor's steering wheel all the way to the left for easier access to the center blade.
3. Carefully feel for the finger grooves on the blade collar at the sides of the blade.
4. Push upward on the blade collar and hold it. See Figure 1-2.

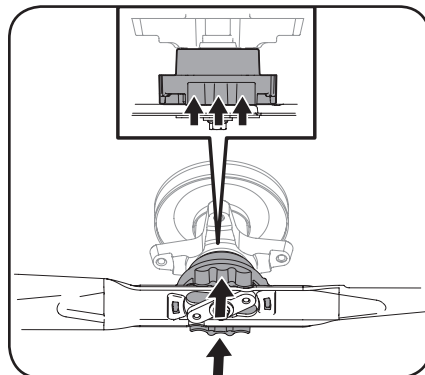


Figure 1-2

5. Rotate the blade counterclockwise to free it from the collar. See Figure 1-3.

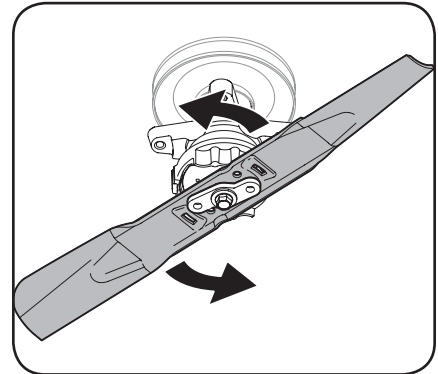


Figure 1-3

6. When the hole in the center of the blade aligns with the rider blade retainer, carefully lower the blade. See Figure 1-4.

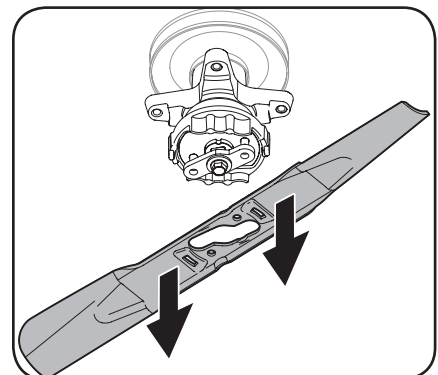


Figure 1-4

### Installing the Blade

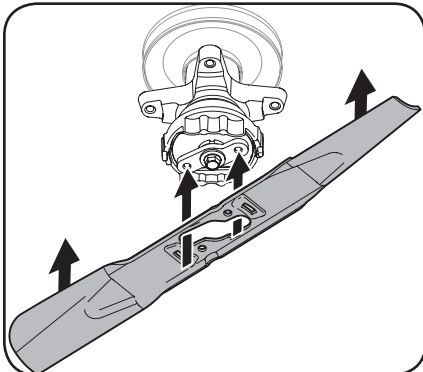
1. Set the mower deck height to its highest position as instructed in your mower operator's manual.
2. Properly orient the blade. The bottom of the blade is labeled "Grass Side"

CUB CADET LLC, P.O. BOX 361131 CLEVELAND, OHIO 44136-0019



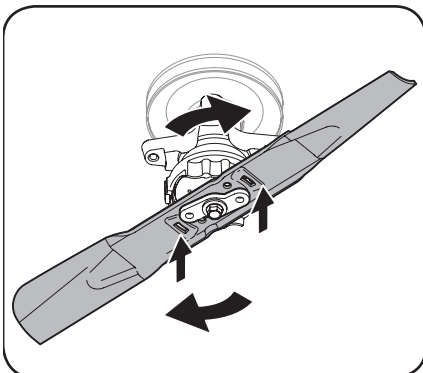
Form No. 769-12481  
September 25, 2017

3. Position the blade under the spindle assembly, and carefully align the large opening in the center of the blade over the rider blade retainer. See Figure 1-5.



**Figure 1-5**

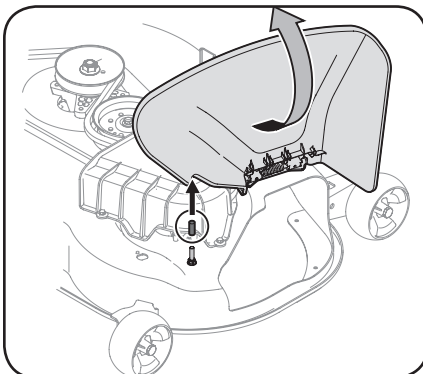
4. Firmly push up on the blade and rotate clockwise to lock the blade in place. See Figure 1-6.



**Figure 1-6**

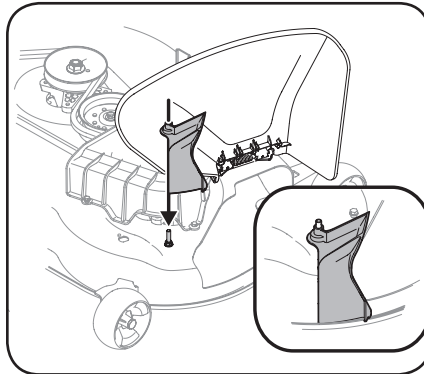
## Installing the Mulch Plug

1. Pivot the chute deflector upward and remove the protective cover from the pin found on the deck's surface. See Figure 1-7.



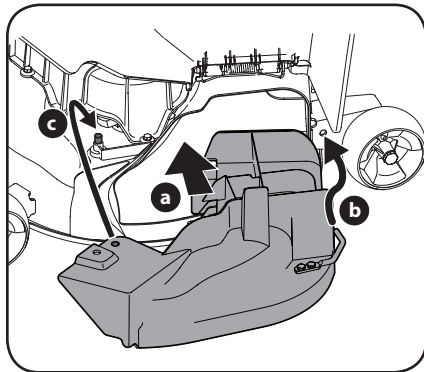
**Figure 1-7**

2. Position the chute adapter over the pin. See Figure 1-8.



**Figure 1-8**

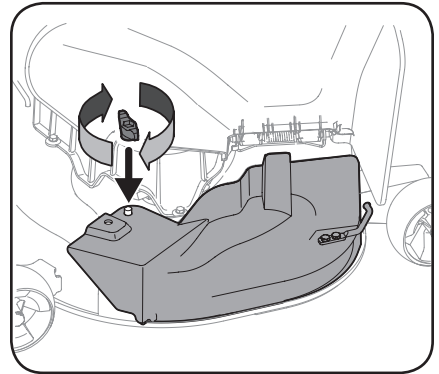
3. To install the mulch plug, pivot the discharge chute upward and refer to Figure 1-9:
  - a. Insert the mulch plug into the discharge chute opening.
  - b. Insert the mulch plug rod into the hole found on the front, right deck wheel bracket.
  - c. Position the rear of the mulch plug over the pin found on the deck's surface.



**Figure 1-9**

**Important:** Be certain that the bottom of the discharge chute is located inside of the lip of the deck opening.

4. Secure the mulch plug in place with the wing knob. See Figure 1-10.



**Figure 1-10**

5. With the mulch plug in place, the discharge chute will remain propped-up so that the operator can more easily maneuver the tractor's deck near and around trees and other obstacles.