

Contents of Carton

Ref	Part #	Description	Qty
1	631-05115	Anti-Scalp Roller Assembly	4
2	680-00352	RH Rear Roller Mount Bracket *	1
3	703-09137A	Rear Roller Mount Bracket	2
4	710-0623	Hex Washer Screw, 3/8-16 x .750 +	2
5	710-0773	Hex Washer Screw, 3/8-16 x .500 +	4
6	711-05664	Roller Pin, 1/2 x 25.75	1
7	712-0266A	Jam Lock Nut, 3/8-16 +	2
8	712-04150	Flange Lock Nut, 1/2-13	1
9	680-00559	RH Rear Roller Mount Bracket ^	1
10	710-3168	Carriage Bolt, 3/8-16 x 1.00 #	6
11	712-04065	Flange Lock Nut, 3/8-16 #	6

* -- 54" & 60" decks only

+ -- 2016 and older models only

^ -- 48" decks only

-- 2017 and newer models only

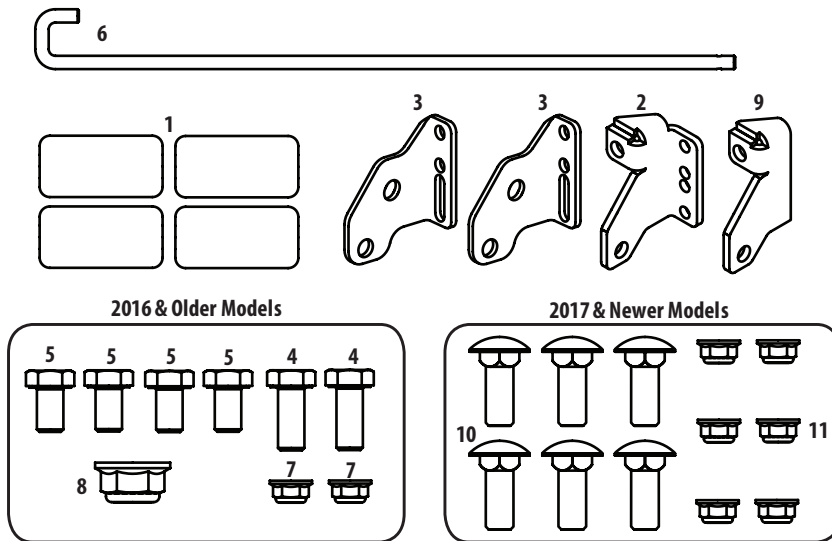


Figure 1

Striper Kit Installation

To install the rear brackets on the striper kit proceed as follows:

1. Locate the six holes on the back of the deck. See Figure 2 for 2016 and older models and Figure 3 for 2017 and newer models.

2. For 2016 and older models proceed below, for 2017 and newer models skip ahead to step 3:

- a. Using the four hex washer screws (#5), install the two rear roller mount brackets (#3) as shown in Figure 2.

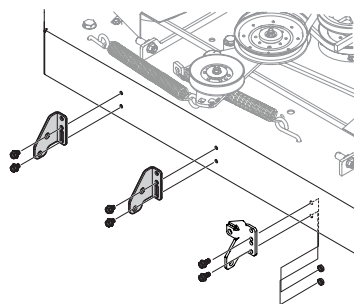


Figure 2

- b. Install the RH rear roller mount bracket (#2 for 54" and 60" decks) using two hex washer screws (#4) and two jam lock nuts (#7) as shown in Figure 2.

3. For 2017 and newer models, proceed below:

- a. Using four carriage bolts (#10) and four flange lock nuts (#11), install the two rear roller mount brackets (#3) as shown in Figure 3.

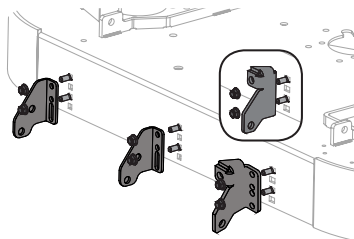


Figure 3

- b. Install the RH rear roller mount bracket (#2 for 54" and 60" decks, #9 for 48" deck, see inset of Figure 3) using two carriage bolts (#10) and two flange lock nuts (#11) as shown in Figure 3.

NOTE: If you are unable to install carriage bolts in 2017 and newer decks on the right side, use 710-0623 and 712-0266A to attach the RH rear roller mount bracket.

4. With the three roller brackets installed, slide the roller pin (#6) through the brackets and the anti-scalp roller assemblies (#1) as shown in Figure 4.

NOTE: Slide the roller pin (#6) through the lower hole in the rear roller mount brackets (#3).

5. Secure the roller pin (#6) in place with the flange lock nut (#8). See Figure 4.

NOTE: If placing the roller in the lowest position on the deck and the lowest height on the roller bracket, do not cut grass below 3 inches.

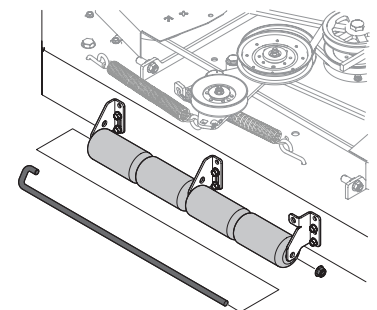


Figure 4