

OPERATOR'S MANUAL

Snow Blower

**2-Stage and 3-Stage
(300, 500, 600 & 800 Series)**

Table of Contents

<i>Safe Operation Practices</i>	2	<i>Product Care</i>	22
<i>Assembly & Set-Up</i>	5	<i>Parts/Warranty</i>	<i>See Separate Supplement</i>
<i>Controls & Operation</i>	17	<i>Spanish</i>	27

WARNING

**READ AND FOLLOW ALL SAFETY RULES AND INSTRUCTIONS IN THIS MANUAL
BEFORE ATTEMPTING TO OPERATE THIS MACHINE.
FAILURE TO COMPLY WITH THESE INSTRUCTIONS MAY RESULT IN PERSONAL INJURY.**

NOTE: This Operator's Manual covers several models. Features may vary by model. Not all features in this manual are applicable to all models and the model depicted may differ from yours. **The terms "snow thrower" and "snow blower" may be used interchangeably for this product.**



▲ WARNING!

This symbol points out important safety instructions which, if not followed, could endanger the personal safety and/or property of yourself and others. Read and follow all instructions in this manual before attempting to operate the equipment. Failure to comply with these instructions may result in personal injury. When you see this symbol. **HEED ITS WARNING!**

▲ WARNING!

CALIFORNIA PROPOSITION 65

Engine Exhaust, some of its constituents, and certain vehicle components contain or emit chemicals known to State of California to cause cancer and birth defects or other reproductive harm.

▲ DANGER!

This machine was built to be operated according to the safe operation practices in this manual. As with any type of power equipment, carelessness or error on the part of the operator can result in serious injury. This machine is capable of amputating fingers, hands, toes and feet and throwing foreign objects. Failure to observe the following safety instructions could result in serious injury or death.

NOTE: The terms “snow blower” and “snow thrower” may be used interchangeably for this product.

Training

1. Read, understand, and follow all instructions on the machine and in the manual(s) before attempting to assemble and operate. Keep this manual in a safe place for future and regular reference and for ordering replacement parts.
2. Be familiar with all controls and their proper operation. Know how to stop the machine and disengage them quickly.
3. Never allow children under 14 years of age to operate this machine. Children 14 and over should read and understand the instructions and safe operation practices in this manual and on the machine and be trained and supervised by an adult.
4. Never allow adults to operate this machine without proper instruction.
5. Thrown objects can cause serious personal injury. Plan your snow-throwing pattern to avoid discharge of material toward roads, bystanders and the like.

6. Keep bystanders, pets and children at least 75 feet from the machine while it is in operation. Stop machine if anyone enters the area.
7. Exercise caution to avoid slipping or falling, especially when operating in reverse.

Preparation

Thoroughly inspect the area where the equipment is to be used. Remove all doormats, newspapers, sleds, boards, wires and other foreign objects, which could be tripped over or thrown by the auger.

1. Always wear safety glasses or eye shields during operation and while performing an adjustment or repair to protect your eyes. Thrown objects which ricochet can cause serious injury to the eyes.
2. Do not operate without wearing adequate winter outer garments. Do not wear jewelry, long scarves or other loose clothing, which could become entangled in moving parts. Wear footwear which will improve footing on slippery surfaces.
3. Use a grounded three-wire extension cord and receptacle for all machines with electric start engines.
4. Adjust auger housing height to clear gravel or crushed rock surfaces.
5. Disengage all control levers before starting the engine.
6. Never attempt to make any adjustments while engine is running, except where specifically recommended in the operator’s manual.
7. Let engine and machine adjust to outdoor temperature before starting to clear snow.

Safe Handling of Gasoline

To avoid personal injury or property damage use extreme care in handling gasoline. Gasoline is extremely flammable and the vapors are explosive. Serious personal injury can occur when gasoline is spilled on yourself or your clothes which can ignite. Wash your skin and change clothes immediately.

1. Use only an approved gasoline container.
2. Extinguish all cigarettes, cigars, pipes and other sources of ignition.
3. Never fuel machine indoors.
4. Never remove gas cap or add fuel while the engine is hot or running.

5. Allow engine to cool at least two minutes before refueling.
6. Never over fill fuel tank. Fill tank to no more than ½ inch below bottom of filler neck to provide space for fuel expansion.
7. Replace gasoline cap and tighten securely.
8. If gasoline is spilled, wipe it off the engine and equipment. Move machine to another area. Wait 5 minutes before starting the engine. If fuel is spilled on clothing, change clothing immediately.
9. Never store the machine or fuel container inside where there is an open flame, spark or pilot light (e.g. furnace, water heater, space heater, clothes dryer etc.).
10. Allow machine to cool at least 5 minutes before storing.
11. Never fill containers inside a vehicle or on a truck or trailer bed with a plastic liner. Always place containers on the ground away from your vehicle before filling.
12. If possible, remove gas-powered equipment from the truck or trailer and refuel it on the ground. If this is not possible, then refuel such equipment on a trailer with a portable container, rather than from a gasoline dispenser nozzle.
13. Keep the nozzle in contact with the rim of the fuel tank or container opening at all times until fueling is complete. Do not use a nozzle lock-off device.

Operation

1. Do not put hands or feet near rotating parts, in the auger housing or chute assembly. Contact with the rotating parts can amputate hands and feet.
2. The auger control lever is a safety device. Never bypass its operation. Doing so makes the machine unsafe and may cause personal injury.
3. The control levers must operate easily in both directions and automatically return to the disengaged position when released.
4. Never operate with a missing or damaged chute assembly. Keep all safety devices in place and working.
5. Never run an engine indoors or in a poorly ventilated area. Engine exhaust contains carbon monoxide, an odorless and deadly gas.

6. Do not operate machine while under the influence of alcohol or drugs.
7. Muffler and engine become hot and can cause a burn. Do not touch. Keep children away.
8. Exercise extreme caution when operating on or crossing gravel surfaces. Stay alert for hidden hazards or traffic.
9. Exercise caution when changing direction and while operating on slopes. Do not operate on steep slopes.
10. Plan your snow-throwing pattern to avoid discharge towards windows, walls, cars etc. Thus, avoiding possible property damage or personal injury caused by a ricochet.
11. Never direct discharge at children, bystanders and pets or allow anyone in front of the machine.
12. Do not overload machine capacity by attempting to clear snow at too fast of a rate.
13. Never operate this machine without good visibility or light. Always be sure of your footing and keep a firm hold on the handles. Walk, never run.
14. Release auger control lever to disengage power to the auger when transporting or not clearing snow.
15. Never operate machine at high transport speeds on slippery surfaces. Look down and behind and use care when backing up.
16. After striking a foreign object or if the machine should start to vibrate abnormally, stop the engine, disconnect the spark plug wire and ground it against the engine. Inspect thoroughly for damage. Repair any damage before starting and operating.
17. Disengage all control levers and stop engine before you leave the operating position (behind the handles). Wait until the auger comes to a complete stop before unclogging the chute assembly, making any adjustments, or inspections.
18. Never put your hand in the discharge or collector openings. Always use the clean-out tool provided to unclog the discharge opening. Do not unclog chute assembly while engine is running. Shut off engine and remain behind handles until all moving parts have stopped before unclogging.
19. Use only attachments and accessories approved by the manufacturer (e.g. wheel weights, tire chains, cabs etc.).
20. When starting engine, pull cord slowly until resistance is felt, then pull rapidly. Rapid retraction of starter cord (kickback) will pull hand and arm toward engine faster than you can let go. Broken bones, fractures, bruises or sprains could result.
21. If situations occur which are not covered in this manual, use care and good judgment. Contact Customer Support for assistance and the name of your nearest servicing dealer.

Clearing a Clogged Discharge Chute

Hand contact with the rotating impeller inside the discharge chute is the most common cause of injury associated with snow throwers. Never use your hand to clean out the discharge chute.

To clear the chute:

1. SHUT THE ENGINE OFF!
2. Wait 10 seconds to be sure the impeller blades have stopped rotating.
3. Always use a clean-out tool, not your hands.

Maintenance & Storage

1. Never tamper with safety devices. Check their proper operation regularly. Refer to the maintenance and adjustment sections of this manual.
2. Before cleaning, repairing, or inspecting machine disengage all control levers and stop the engine. Wait until the auger come to a complete stop. Disconnect the spark plug wire and ground against the engine to prevent unintended starting.
3. Check bolts and screws for proper tightness at frequent intervals to keep the machine in safe working condition. Also, visually inspect machine for any damage.
4. Do not change the engine governor setting or over-speed the engine. The governor controls the maximum safe operating speed of the engine.
5. Snow thrower shave plates and skid shoes are subject to wear and damage. For your safety protection, frequently check all components and replace with original equipment manufacturer's (OEM) parts only. "Use of parts which do not meet the original equipment specifications may lead to improper performance and compromise safety!"
6. Check control levers periodically to verify they engage and disengage properly and adjust, if necessary. Refer to the adjustment section in this operator's manual for instructions.

Do not modify engine

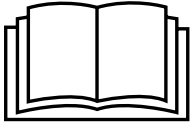








To avoid serious injury or death, do not modify engine in any way. Tampering with the governor setting can lead to a runaway engine and cause it to operate at unsafe speeds. Never tamper with factory setting of engine governor.

Notice Regarding Emissions

Engines which are certified to comply with California and federal EPA emission regulations for SORE (Small Off Road Equipment) are certified to operate on regular unleaded gasoline, and may include the following emission control systems: Engine Modification (EM), Oxidizing Catalyst (OC), Secondary Air Injection (SAI) and Three Way Catalyst (TWC) if so equipped.

Safety Symbols

This page depicts and describes safety symbols that may appear on this product. Read, understand, and follow all instructions on the machine before attempting to assemble and operate.

Symbol	Description
	READ THE OPERATOR'S MANUAL(S) Read, understand, and follow all instructions in the manual(s) before attempting to assemble and operate.
	WARNING— ROTATING BLADES Keep hands out of inlet and discharge openings while machine is running. There are rotating blades inside.
	WARNING— ROTATING BLADES Keep hands out of inlet and discharge openings while machine is running. There are rotating blades inside.
	WARNING— ROTATING AUGER Do not put hands or feet near rotating parts, in the auger housing or chute assembly. Contact with the rotating parts can amputate hands and feet.
	WARNING—THROWN OBJECTS This machine may pick up and throw objects which can cause serious personal injury.
	WARNING—GASOLINE IS FLAMMABLE Allow the engine to cool at least two minutes before refueling.
	WARNING— CARBON MONOXIDE Never run an engine indoors or in a poorly ventilated area. Engine exhaust contains carbon monoxide, an odorless and deadly gas.
	WARNING— ELECTRICAL SHOCK Do not use the engine's electric starter in the rain.
	WARNING— HOT SURFACE Engine parts, especially the muffler, become extremely hot during operation. Allow engine and muffler to cool before touching.

▲ WARNING! - SAVE THESE INSTRUCTIONS

Your Responsibility—Restrict the use of this power machine to persons who read, understand and follow the warnings and instructions in this manual and on the machine.

Thank You

Thank you for purchasing this product. It was carefully engineered to provide excellent performance when properly operated and maintained.

Please read this entire manual prior to operating the equipment. It instructs you how to safely and easily set up, operate and maintain your machine. Please be sure that you, and any other persons who will operate the machine, carefully follow the recommended safety practices at all times. Failure to do so could result in personal injury or property damage.

All information in this manual is relative to the most recent product information available at the time of printing. Review this manual frequently to familiarize yourself with the machine, its features and operation. Please be aware that this Operator's Manual may cover a range of product specifications for various models. Characteristics and features discussed

and/or illustrated in this manual may not be applicable to all models. We reserve the right to change product specifications, designs and equipment without notice and without incurring obligation.

If applicable, the power testing information used to establish the power rating of the engine equipped on this machine can be found at www.opei.org or the engine manufacturer's web site.

If you have any problems or questions concerning the machine, phone your local authorized service dealer or contact us directly. We want to ensure your complete satisfaction at all times.

Throughout this manual, all references to *right* and *left* side of the machine are observed from the operating position.

Contents of Carton

<ul style="list-style-type: none"> • Snow Thrower (1) • Chute Assembly (1) • Chute Control Rod, Flex Shaft, or Side Crank Rod Assembly* (1) • Replacement Auger Shear Pins (2) • Safety Key (2) 	<ul style="list-style-type: none"> • Snow Thrower Operator's Manual (1) • Engine Operator's Manual (1) • Parts/Warranty Document (1) • Handle Hardware • Long Carriage Screw* (2) • Flange Lock Nut* (2) 	<ul style="list-style-type: none"> • Skid Shoe Kit* • Short Carriage Screw (4) • Flat Washer (4, if required) • Flange Lock Nut (4)
--	--	---

* If Equipped

NOTE: This Operator's Manual covers several models. Features may vary by model. Not all features in this manual are applicable to all models and the model depicted may differ from yours. Refer to Figure 2-1 which shows the different versions and match the contents of carton (chute and directional control rod/flex shaft) to identify your specific unit.

Overview

- Remove packaging materials from snow thrower.
- Rotate Handle into the upright position. Refer to Handle Assembly.
- Install the chute. Refer to Chute Assembly Options.
- Complete snow thrower assembly according to model and equipment. Refer to Set-up.
- If necessary make adjustments to ensure proper snow thrower operation. Refer to Adjustments.
- Add fuel and oil. Refer to the Engine Operator's Manual shipped with snow thrower.

Tools Required

- Adjustable Wrench or Socket Set
- Needle Nose Pliers

Handle Assembly

1. Perform one of the following:
 - All Units without E-Z Chute™ (units equipped with Chute Controls) - Proceed to All Units Without E-Z Chute on page 5.
 - All Units Equipped with E-Z Chute™ - Proceed to Units Equipped with E-Z Chute™ on page 6.

All Units Without E-Z Chute™

1. Cut cable ties securing chute control rod or upper handle to the lower handle (if applicable), set aside the chute control rod (if applicable) and remove the wrap around the handles (if applicable).

NOTE: Do not cut the cable tie securing the cables to the engine for units equipped.

NOTE: On units with Overhead Chute Control (with Flex Shaft), Four-Way Chute Control, and Electric Chute Control cut cable ties securing flex shaft to the lower handle and set the flex shaft aside. Remove rubber bands securing cables to carriage screws and cut cable tie securing shift rod to lower handle. Refer to Figure 2-11 to help identify your unit.

2. Loosen the top two nuts (a) securing the upper and lower handle and remove the two carriage screws (b) from the upper handle and set aside as shown in Figure 2-1 or Figure 2-2 for units with side supports.

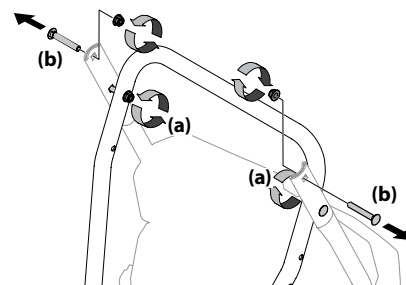


Figure 2-1

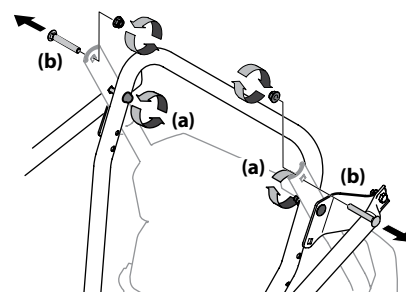


Figure 2-2

- Place shift lever in Forward-6 position or fastest forward speed (if equipped).
- Observe lower rear area of equipment to be sure both cables (if equipped) are aligned and seated properly in roller guides. See Figure 2-3.

NOTE: On select units, chute-pitch control cables will be routed under the engine on the left side and will not use roller guides.

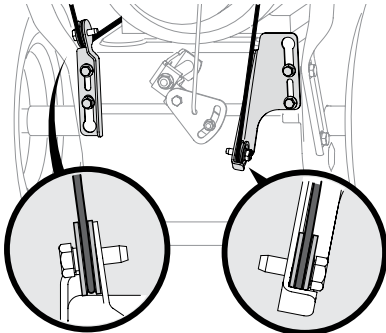


Figure 2-3

- Pivot handle upward and align the lower handle. See Figure 2-4. Remove and discard any rubber bands, if present. They are for packaging purposes only.

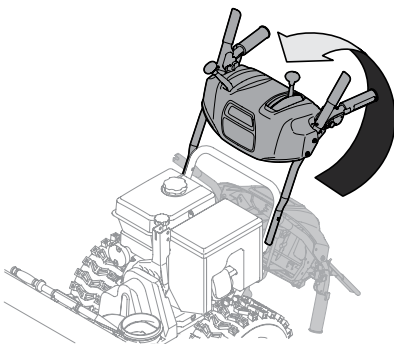


Figure 2-4

NOTE: On select units with steel rod speed selectors, you may need to lower shift rod to the side slightly to maneuver handle panel over it when pivoting handle upward.

- Attach the two carriage screws (b) and nuts (a) removed in Step 2. Finish securing the handle by tightening the top two nuts (c) loosened in Step 2. See Figure 2-5 or Figure 2-6 for units with side supports.

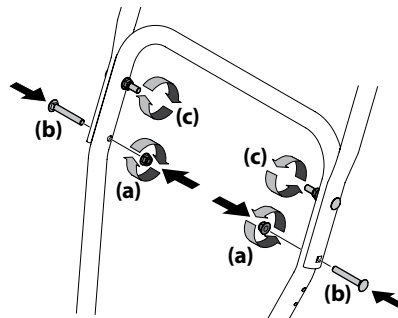


Figure 2-5

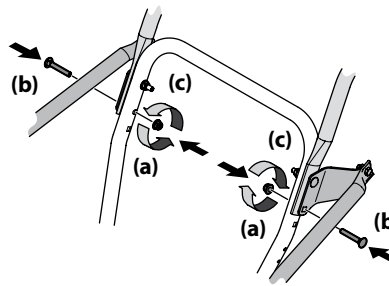


Figure 2-6

● STOP

Refer to "Figure 2-11" on page 7 to identify your applicable chute style and continue to Chute Assembly Options (page 7).

Units equipped with E-Z Chute™

NOTE: E-Z Chute is identified by a loop handle located on the back of the chute.



- Remove cable tie (if present) securing upper handle to lower handle for shipping purposes. Remove all protective plastic wrapping from handles.

NOTE: Be careful NOT to remove the two loosely fitted cable ties that will be utilized later to secure cables.

- Remove the wing knob (a), saddle washer (b), handle tab (c) and carriage screw (d) on each side of the lower handle. See Figure 2-7.

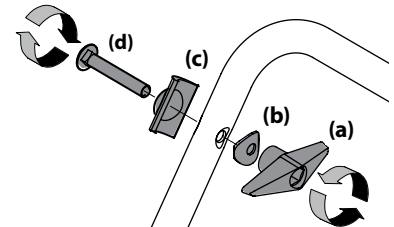


Figure 2-7

- Slide one of the loosely fitted cable ties (a) from the right side of the lower handle (b) up to the cross member of the lower handle (c). Leave the second cable tie in place on the right side of the lower handle (b). See Figure 2-8.

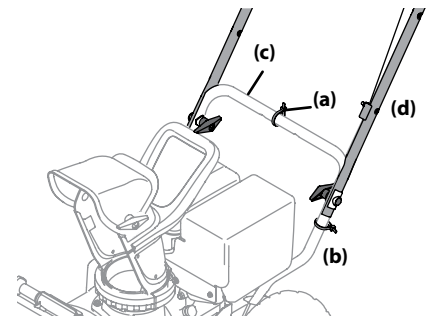


Figure 2-8

IMPORTANT: It will be necessary to lift the upper handle (d) while sliding up this cable tie to prevent damage to the cable.

- Lift the upper handle (d) up and position it over the lower handle (b), aligning the holes where the wing knobs were removed. See Figure 2-8.

▲ CAUTION

Be careful not to bend or kink the cables.

11. Insert a carriage screw (a) from the outside through a handle tab (b), the upper (c) and lower handles (d), a saddle washer (e) and into the wing knob (f). Repeat on the other side. Tighten the wing knobs (f) on each side of the handle. Refer to Figure 2-9.

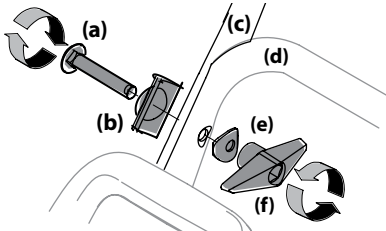


Figure 2-9

NOTE: The auger cable (a) routes down the left lower handle and the drive cable (b) is routed across the top of the lower handle and down the right side of the lower handle. See Figure 2-10.

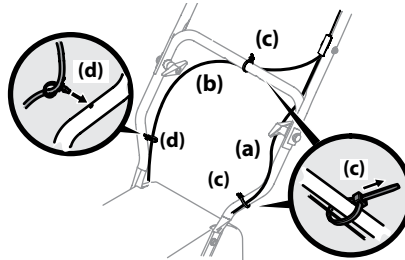


Figure 2-10

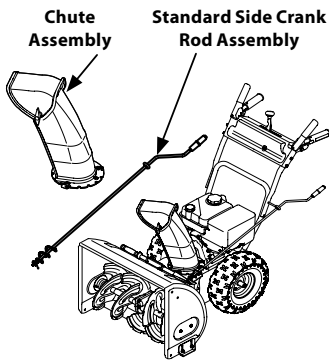
12. Two cable ties (c) have been used to loosely tie the control cables to the lower handle, including the cable tie (c) you relocated in step 3. A push clip (d) is also included on the lower drive cable (b). Position cable ties (c) now, as in Figure 2-10, and tighten to secure cables (a & b) to the lower handle. Trim off excess material of cable ties (c). If not already installed, push the clip (d) on the drive cable (b) into the hole in the handle provided as shown in the left inset.

● STOP

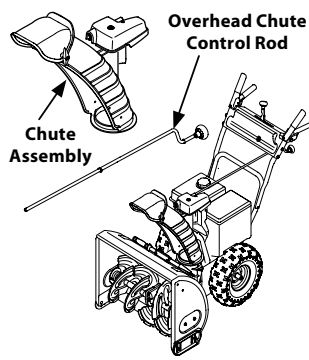
Refer to Figure 2-11 to identify your applicable chute style and continue to Chute Assembly Options (page 7).

Chute Assembly Options

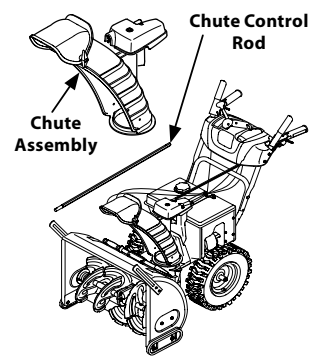
Refer to Figure 2-11 and proceed to your applicable Chute Control Style on pages 8-14.



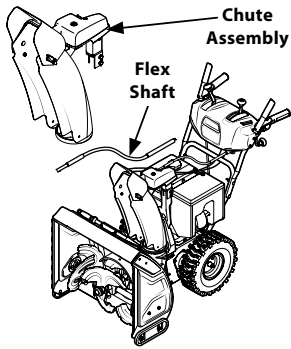
Standard Side Crank Chute Control
Page 8



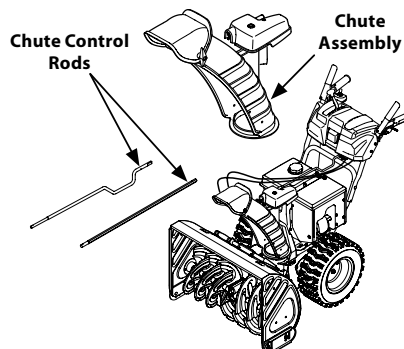
Overhead Chute Control
(w/ Chute Control Rod) Page 9



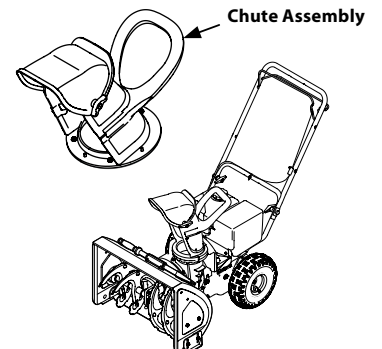
2-Way & 4-Way Chute Control
Page 10



Overhead Chute Control
(w/ Flex Shaft Steel Chute) Page 11



Electric Chute Control
Pages 12



E-Z Chute™
Page 12

Figure 2-11

Standard Side Crank Chute Control

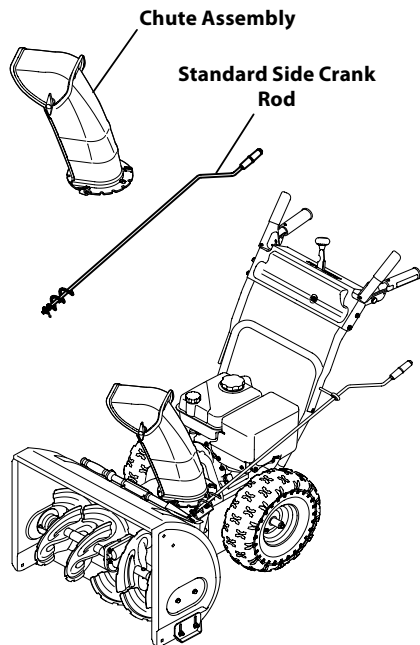


Figure 2-12

1. Position chute assembly over base. See Figure 2-13.

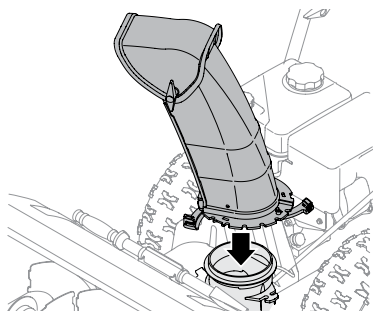


Figure 2-13

2. Close flange keepers to secure chute assembly to chute base. Flange keepers will click into place when properly secured. See Figure 2-14.

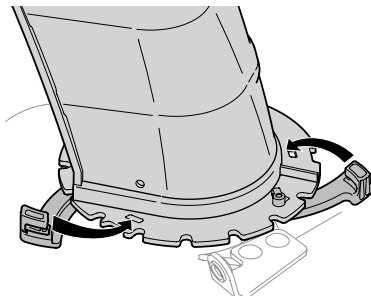


Figure 2-14

NOTE: Ensure the lower chute is secured to the flange on the chute base. The lower edge of the chute keeper should be positioned below the flange on the chute base after being clicked into place. If flange keepers will not easily click into place, use palm of your hand to apply swift, firm pressure to the back of each.

3. Remove plastic cap (if present), flat washer (a) and hairpin clip (b) from end of chute directional control assembly. See Figure 2-15.

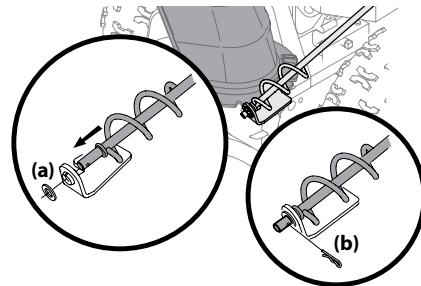


Figure 2-15

4. Insert end of chute directional control assembly into lower bracket and secure chute directional control assembly with flat washer (a) and hairpin clip (b) removed in Step 1. If necessary, lower bracket can be adjusted. Refer to Chute Bracket Adjustment in Service section on page 24.

● STOP

Continue to Set-Up (page 13).

Overhead Chute Control (w/ Chute Control Rod)

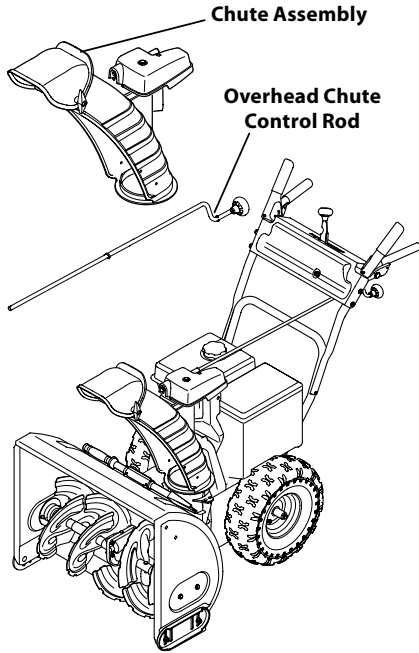


Figure 2-16

1. Remove wing nut (a) and hex screw (b) from chute control head and clevis pin (c) and cotter pin (d) from chute support bracket. Position chute assembly (forward-facing) over chute base. See Figure 2-17.

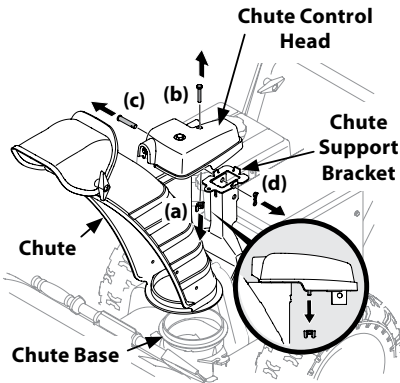


Figure 2-17

2. Place chute assembly onto chute base and secure chute control head to chute support bracket with clevis pin (c) and cotter pin (d) removed in Step 1. See Figure 2-18.

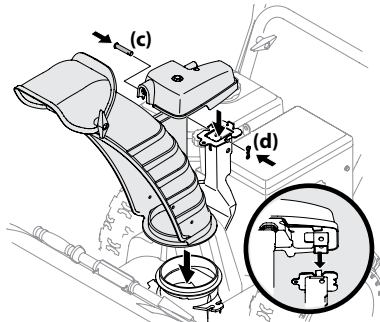


Figure 2-18

3. Finish securing chute control head to chute support bracket with wing nut (a) and hex screw (b) removed in Step 1. See Figure 2-19.

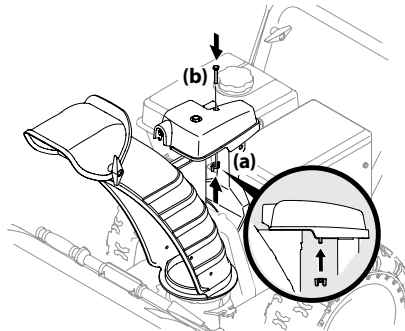


Figure 2-19

4. Insert chute control rod into the support bracket on rear of the dash panel. See Figure 2-20.

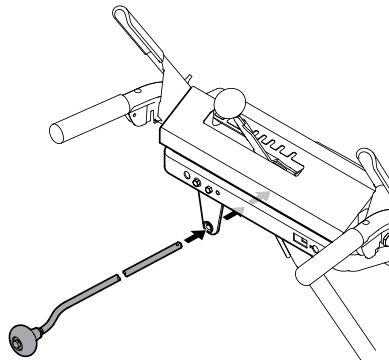


Figure 2-20

5. Remove hairpin clip (a) from rear of chute control head. See Figure 2-21.

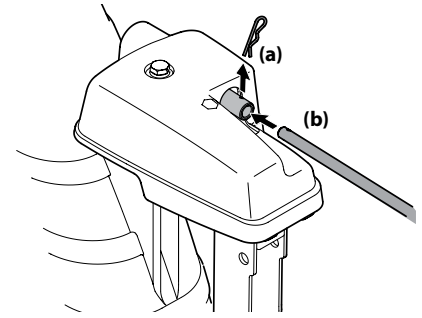


Figure 2-21

6. Insert chute control rod (b) into rear of chute control head. Secure chute control rod to chute control assembly with hairpin clip (a) removed in Step 5.

● STOP
Continue to Set-Up (page 13).

2-Way & 4-Way Chute Control

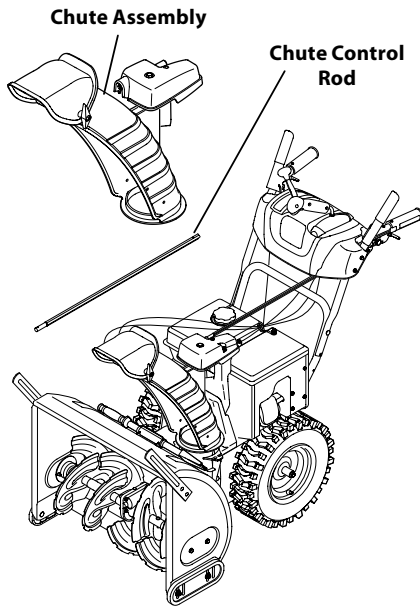


Figure 2-22

1. Remove hairpin clip (a), wing nut (b) and hex screw (c) from chute control head and clevis pin (d) and bow-tie cotter pin (e) from chute support bracket. See Figure 2-23.

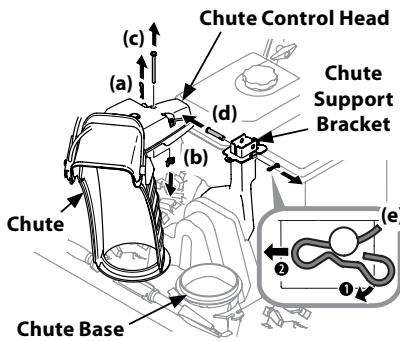


Figure 2-23

NOTE: For smoothest operation, cables should all be to the left of the chute directional control rod.

2. Insert chute control rod into chute control head. Push rod as far into chute control head as possible, keeping holes in rod pointing upward. See Figure 2-24.

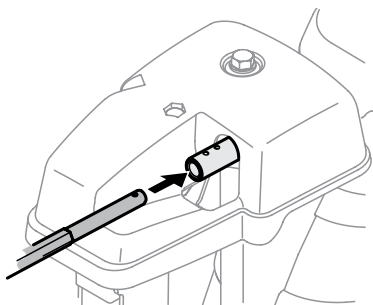


Figure 2-24

3. Place chute onto chute base and ensure chute control rod is positioned under handle panel. Install hex screw (c) removed in Step 1, but do not secure with wing nut at this time. See Figure 2-25.

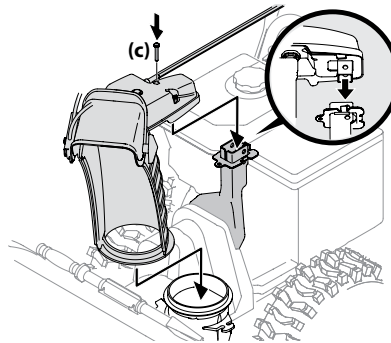


Figure 2-25

4. Squeeze trigger on joystick and rotate chute by hand to face forward. The holes in chute control input will be facing up. See Figure 2-26.

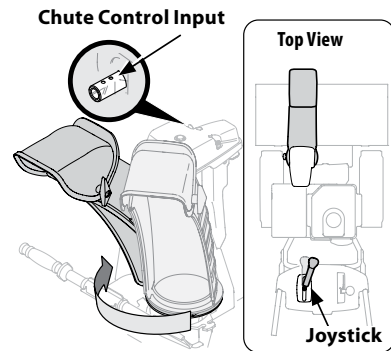


Figure 2-26

NOTE: Chute will not rotate without squeezing trigger on joystick.

5. Rotate joystick to one o'clock position so that indicator arrow on pinion gear below control panel faces upward. See Figure 2-27.

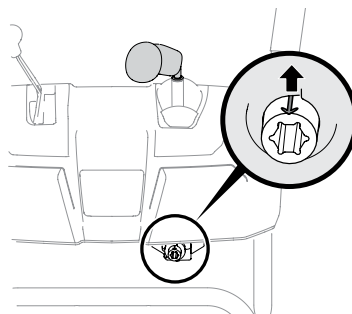


Figure 2-27

6. Insert chute control rod into pinion gear below joystick. Make sure to line up hole in rod with arrow on pinion gear. See Figure 2-28.

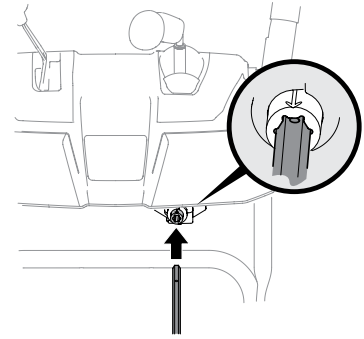


Figure 2-28

NOTE: Chute control rod will fit snug into pinion gear. Support rear of dash panel with one hand while inserting rod with your other hand to ensure rod is inserted **all the way** into pinion gear.

NOTE: The hole in the chute directional control rod is a reference for aligning rod with indicator arrow on pinion gear, and will be visible after rod has been inserted.

7. Push chute control rod toward control panel until hole in rod lines up with hole in chute control input closest to chute control head and insert hairpin clip (a) removed in Step 1. See Figure 2-29.

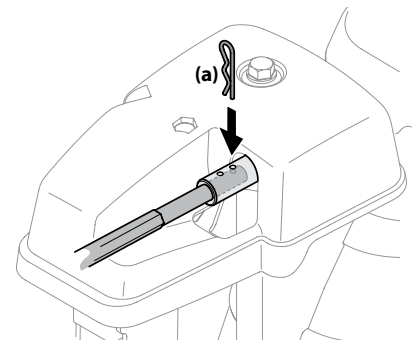


Figure 2-29

NOTE: Second hole is used to achieve further engagement of chute control rod into pinion gear if required. Refer to Product Care section for Chute Control Rod adjustments.

8. Finish securing chute control head to chute support bracket with wing nut (b), clevis pin (d), and bow-tie cotter pin (e) removed in Step 1.

● **STOP**

Continue to Set-Up (page 13).

Overhead Chute Control (w/ Flex Shaft & Steel Chute)

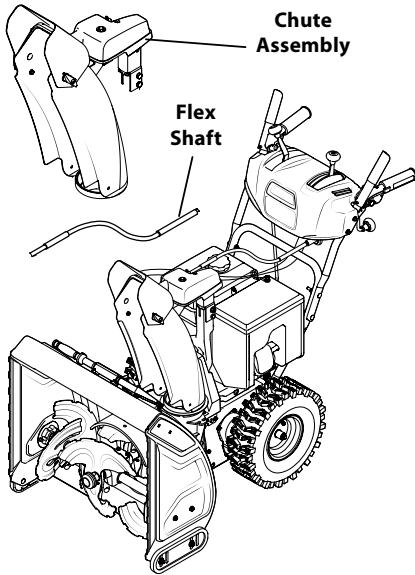


Figure 2-30

1. Remove lock nuts (a) and hex screws (b) from chute support bracket (this will require two wrenches). See Figure 2-31.

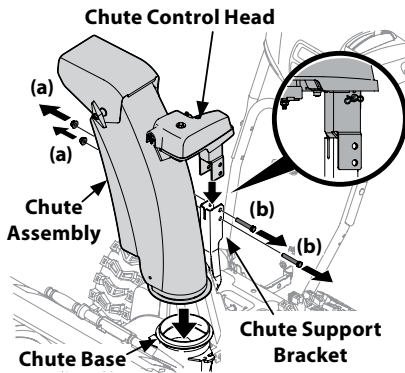


Figure 2-31

2. Place chute assembly onto chute base and chute control head onto chute support bracket. See Figure 2-31.
3. Secure chute control head to chute support bracket with lock nuts (a) and hex screws (b) removed in Step 1. See Figure 2-32.

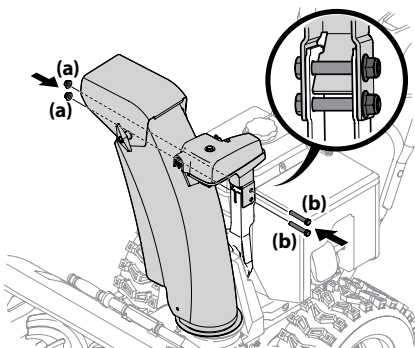


Figure 2-32

NOTE: For smoothest operation, cables should all be to the left of the chute directional control rod.

4. Remove hairpin clip (a) from rear of chute control assembly. See Figure 2-33.

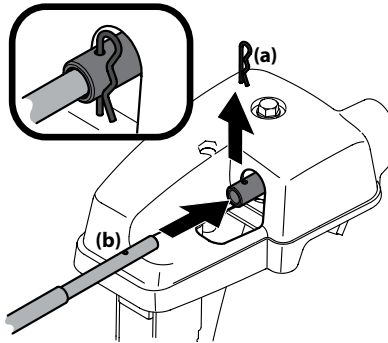


Figure 2-33

5. Insert flex shaft (b) removed during Handle Assembly from lower handle into rear of chute directional control head. See Figure 2-33. Secure flex shaft to chute control head with hairpin clip (a) removed in Step 4.
6. Perform one of the following to connect the flex shaft to the chute control rod coupling:
 - Units with Crank Chute Control - Insert hex end of flex shaft into chute control rod coupling under dash panel. See Figure 2-34.

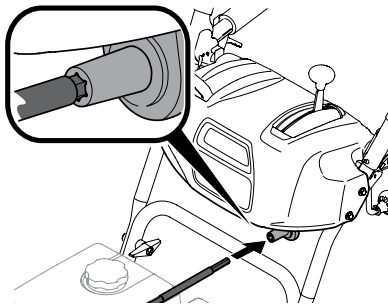


Figure 2-34

- Units with Electric Chute Control - Insert other end of flex shaft into chute control rod coupling under dash panel. Make sure to line up flat end of rod and flat end of coupler. You may need to rotate rod around until these two surfaces line up. See Figure 2-35 inset.

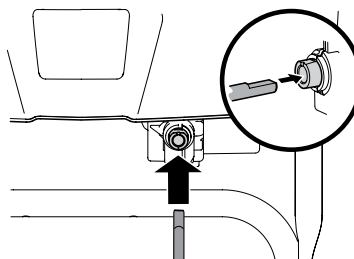


Figure 2-35

7. Ensure speed selector is in fastest forward speed.

8. Remove cotter pin (a) and washer (b) from ferrule on end of shift rod. See Figure 2-36 inset.

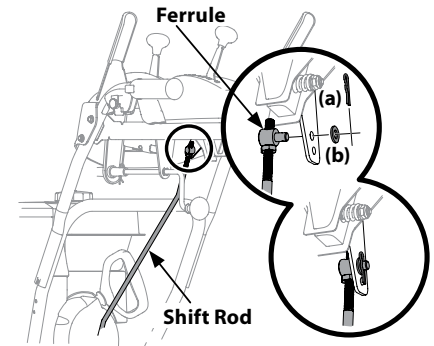


Figure 2-36

9. Make sure the shift lever on the back of the transmission is rotated downward to the full extent of its rotation. See Figure 2-37, Detail "A" for models without hydro transmission or Detail "B" for models with hydro transmission.

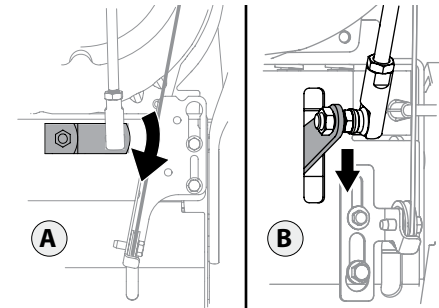


Figure 2-37

10. Insert ferrule into top hole of shift lever and secure with cotter pin (a) and washer (b) removed in Step 8. See Figure 2-36. Ferrule may need to be adjusted up or down.

● STOP
Continue to Set-Up (page 13).

Electric Chute Control

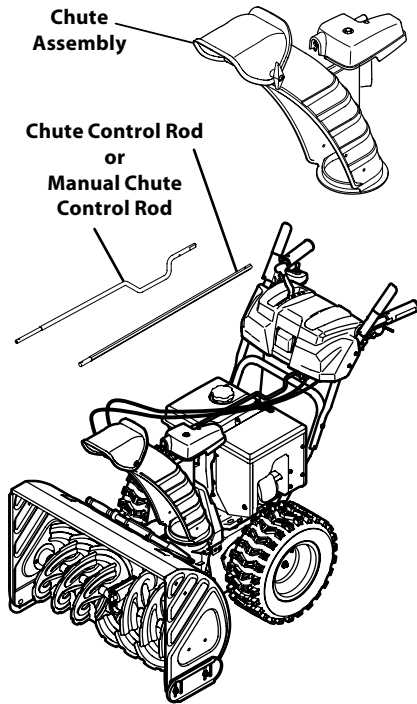


Figure 2-38

1. Remove cotter pin (a), wing nut (b) and hex screw (c) from chute control head. Remove clevis pin (d) and bow-tie cotter pin (e) from chute support bracket. See Figure 2-39.

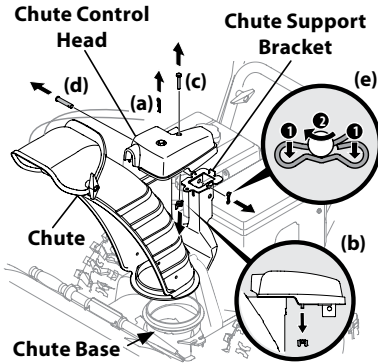


Figure 2-39

NOTE: For smoothest operation, cables should all be to the left of the chute directional control rod.

2. Insert round end of chute control rod into chute control head. Push rod as far into chute control head as possible, keeping holes in rod pointing upward. See Figure 2-40.

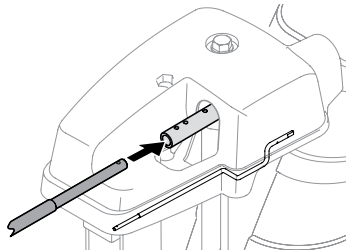


Figure 2-40

3. Place chute onto chute base and ensure chute control rod is positioned under handle panel. Secure chute control head to chute support bracket with clevis pin (d) and bow-tie cotter pin (e) removed in Step 1. See Figure 2-41.

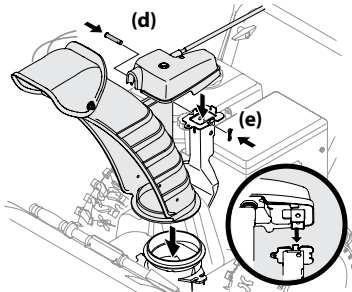


Figure 2-41

4. Finish securing chute control head by installing hex screw (c) and wing nut (b) removed in Step 1. See Figure 2-42.

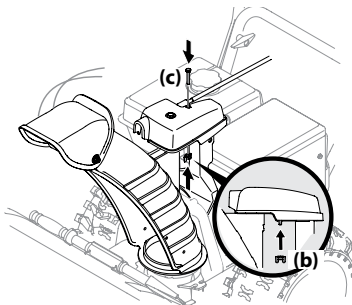


Figure 2-42

5. Insert other end of chute control rod into coupler below handle panel. Make sure to line up flat end of rod and flat end of coupler. You may need to rotate rod around until these two surfaces line up. See Figure 2-43 inset.

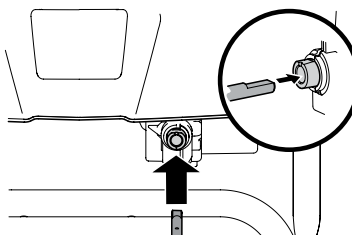


Figure 2-43

6. Push chute control rod toward the control panel until hole in rod lines up with middle hole in chute control input and insert cotter pin (a) removed in Step 1. See Figure 2-44.

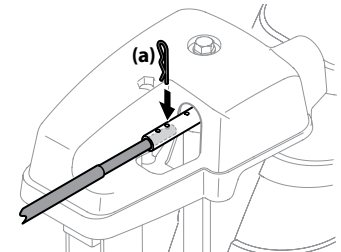


Figure 2-44

NOTE: There is a reference hole provided at rear end of control rod to help know when holes are vertical.

NOTE: Hole furthest from chute control head is used to achieve further engagement of chute control rod into coupler, if required. Refer to Product Care section for Chute Control Rod adjustment on page 24.

NOTE: For units equipped with manual chute control rods, the hole closest to chute control head is used for manual movement of chute assembly if required. Refer to Controls & Operation section on page 20.

● STOP

Continue to Set-Up (page 13).

E-Z Chute Control™

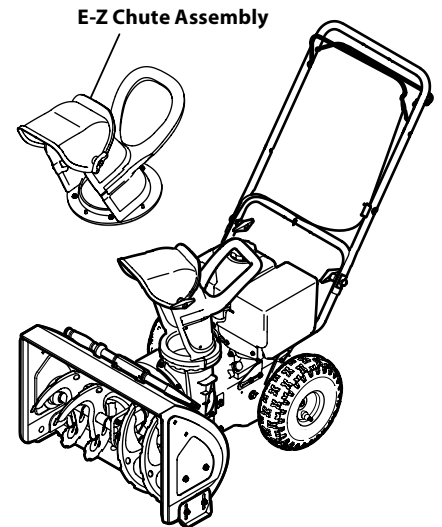


Figure 2-45

The E-Z Chute™ does not require any installation.

● STOP

Continue to Set-Up (page 13).

Set-Up

Chute Control Cable Routing (If Equipped)

For units equipped with 2-way or 4-way chute control joystick, electric chute control and/or chute-pitch controls, ensure control cables are routed properly.

Chute control cables are routed through a single wire guide (a) on top of the engine and/or through two wire guides (b) located on the left side of the unit. See Figure 2-46.

NOTE: On units equipped with a cable tie securing the cables to the rear of the gas tank, pull the cables toward the chute and pull the cable tie snug to secure the cables in place.

NOTE: For smoothest operation, cables should all be to the left of the chute directional control rod (c).

NOTE: The number of cables routed through the wire guides will depend on unit model.

1. Locate cable guide(s) and perform the following:
 - Units with Top Mounted Wire Guide (a) - Check that all cables are properly routed through cable guide on top of engine. See Figure 2-46.
 - Units with Side Mounted Wire Guides (b) - Check that all cables are properly routed through the wire guide below the left side of the engine and the wire guide below the chute control head. See Figure 2-46.

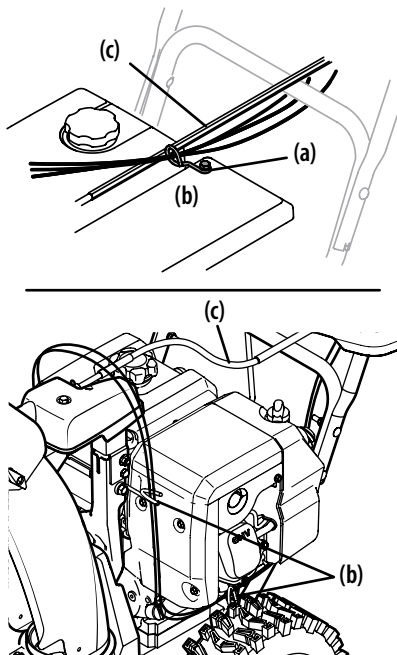


Figure 2-46

Shear Pins Storage (If Equipped)

On select units, holes are provided in the rear of the handle panel for shear pin (a) and bow-tie cotter pin (b) storage as shown in Figure 2-47. If not provided, make sure to store them in a safe place until needed.

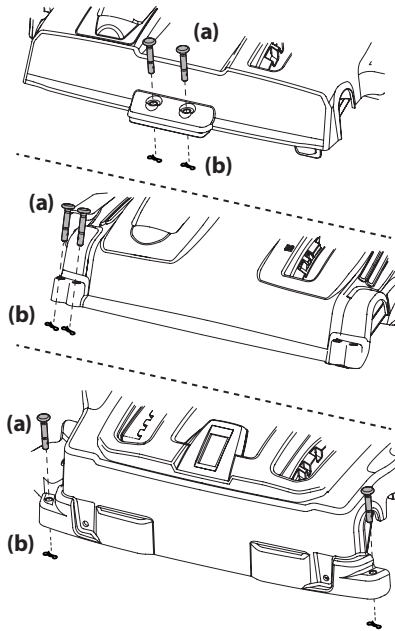


Figure 2-47

Drift Cutters (If Equipped)

The drift cutters are mounted inverted at the factory for shipping purposes.

Standard

1. Remove two screws (a) and lock nuts (b) that secure each drift cutter, and remove them from the sides of auger housing. See Figure 2-48.

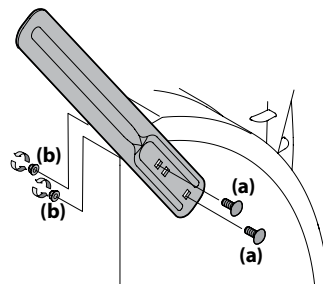


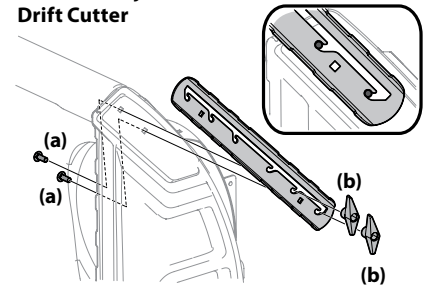
Figure 2-48

2. Turn the drift cutters around and position them as shown in Figure 2-48 to the outside of the auger housing.
3. Attach drift cutters with screws (a) and lock nuts (b) removed in Step 1.

Tool-less

1. Remove two carriage bolts (a) and wing nuts (b) that secure each drift cutter, and remove them from the sides of auger housing. See Figure 2-49.

Tool-less Adjustable Drift Cutter



Tool-less Non-Adjustable Drift Cutter

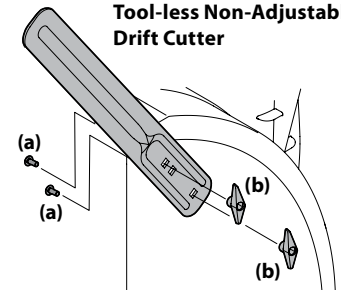


Figure 2-49

2. Turn the drift cutters around and position them as shown in Figure 2-49 to the outside of the auger housing.
3. Attach drift cutters with carriage bolts (a) and wing nuts (b) removed in Step 1.

Skid Shoes (If Applicable)

Select models require the installation to the provided skid shoes.

1. Using the two carriage bolts (a) and hex flange nuts (b) and flat washers (if equipped) (c), secure the skid shoe to the auger housing (d). Hand tighten hex flange nuts. See Figure 2-50.
2. Adjust the skid shoe to provide a minimum of 1/8th inch clearance between the shave plate (e) and the ground. Securely tighten hex flange nuts.
3. Repeat Step 1 to install the remaining skid shoe.
4. If necessary refer to Skid Shoes in the Adjustments section on page 14.

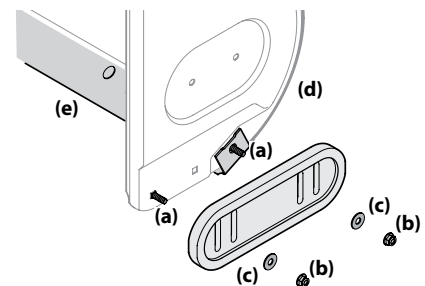


Figure 2-50

Chute Clean-Out Tool

The chute clean-out tool is fastened to the top of the auger housing with a mounting clip. See Figure 2-51.

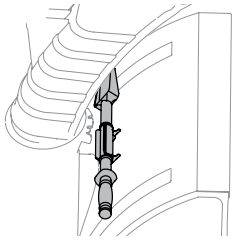


Figure 2-51

Tire Pressure (If Applicable)

NOTE: Not applicable to those units equipped with airless tires.

⚠ WARNING!

Under any circumstance do not exceed manufacturer's recommended psi. Equal tire pressure should be maintained at all times. Excessive pressure when seating beads may cause tire/rim assembly to burst with force sufficient to cause serious injury. Refer to sidewall of tire for recommended pressure.

The tires are over-inflated for shipping purposes. Check tire pressure before operating unit. Refer to tire side wall for tire manufacturer's recommended psi and deflate (or inflate) tires as necessary.

NOTE: Equal tire pressure is to be maintained at all times for performance purposes.

Adjustments

Chute Assembly

NOTE: For models with 2-Way/4-Way or Electric Chute Directional Control and/or models with chute-pitch controls see Controls and Operation on page 19-20.

On units with manual chute tilt, including E-Z Chute™, the distance snow is thrown can be adjusted by changing angle of chute assembly. To do so:

1. Loosen wing knob found on left side of chute assembly. See Figure 2-52.

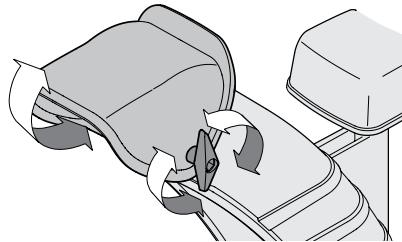


Figure 2-52

2. Pivot chute upward or downward before retightening wing knob.

Drift Cutters (If Equipped)

The drift cutters are mounted inverted at the factory for shipping purposes.

1. Loosen the two carriage bolts (a) and wing nuts (b) that secure each drift cutter to the sides of auger housing. See Figure 2-53.

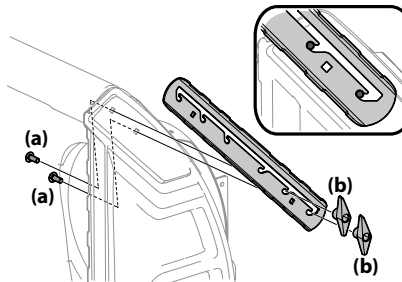


Figure 2-53

2. Slide the drift cutters to desired height.
3. Securely tighten the two carriage bolts and wing nuts that secure each drift cutter to the sides of auger housing.

Skid Shoes

Snow thrower skid shoes are adjusted at the factory set roughly 1/8" below the shave plate. Adjust them downward, if desired, prior to operating the snow thrower.

⚠ CAUTION

Use extreme caution when on gravel and adjust auger housing height to clear gravel or crushed rock surfaces to avoid picking up and throwing gravel or crushed rock.

- For close snow removal on a smooth surface, raise skid shoes higher on auger housing.
- Use a lower position when area to be cleared is uneven, such as a gravel driveway.

NOTE: If you choose to operate unit on a gravel surface, keep skid shoes in position for maximum clearance between ground and shave plate.

To adjust skid shoes:

1. Loosen four hex nuts (a) (two on each side) and carriage bolts (b). Move skid shoes to desired position. See Figure 2-54.

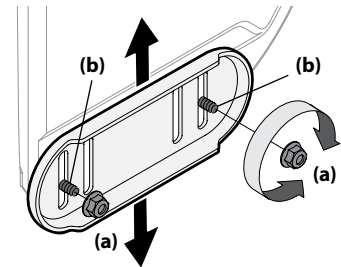


Figure 2-54

NOTE: The skid shoes on your unit may look slightly different (and have different hardware) than ones shown in Figure 2-54.

2. Make certain entire bottom surface of skid shoe is against ground to avoid uneven wear on skid shoes.
3. Retighten hex nuts (a) and carriage bolts (b) securely.

Shave Plate

NOTE: This procedure applies to units equipped with adjustable shave plates only.

To adjust the shave plate:

1. Allow engine to run until it is out of fuel. Do not attempt to pour fuel from the engine.
2. Carefully pivot unit up and forward so that it rests on auger housing.
3. Loosen rear skid shoe bolts (a) on both sides of auger housing and remove carriage bolts (b) and hex nuts (c) which attach shave plate (d) to the bottom of the auger housing. See Figure 2-55.

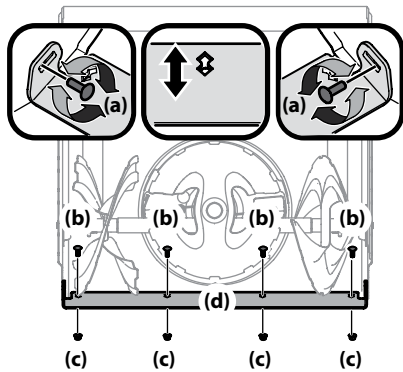


Figure 2-55

NOTE: 3-Stage unit shown.

4. Adjust the shave plate to one of 2 mounting positions. Reinstall and tighten the carriage bolts (b) and hex nuts (c) all bolts securely. See Figure 2-55.
5. Adjust the skid shoes. See Skid Shoes on page 14.

Auger Control

⚠ WARNING!

Prior to operating your unit, carefully read and follow all instructions below. Perform all adjustments to verify your equipment is operating safely and properly.

Refer to Controls & Operation section (page 18) for the location of auger control lever and check adjustment as follows:

1. When auger control lever is released and in disengaged "UP" position, the cable should have very little slack. It should NOT be tight.
2. In a well-ventilated area, start the snow thrower engine. Refer to your Engine Operator's Manual.

3. While standing in the operator's position (behind the unit), depress the auger control lever to engage auger.
4. Allow auger to remain engaged for approximately ten (10) seconds before releasing auger control lever. Repeat this several times.
5. With auger control lever in disengaged "UP" position, walk to front of machine.
6. Confirm that auger has completely stopped rotating and shows NO signs of motion. If auger shows ANY signs of rotating, immediately return to operator's position and shut OFF engine. Wait for ALL moving parts to stop before readjusting auger control lever.
7. To readjust the auger control cable, loosen upper hex screw (a) on all on units except the E-Z Chute™ unit auger control bracket. See Figure 2-56.

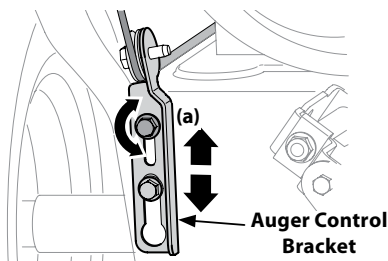


Figure 2-56

8. On E-Z Chute™ models, loosen the rear hex screw on the auger control bracket. See Figure 2-57.

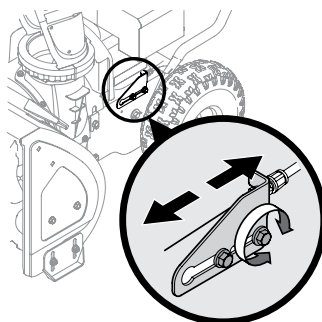


Figure 2-57

9. Position bracket upward on all units except the E-Z Chute™, push the adjustment bracket forward on those units to provide more slack (or downward/rearward to increase cable tension). See Figure 2-56 or Figure 2-57 depending on your unit.
10. Retighten upper/rear hex screw (a).
11. Repeat the steps 1 - 6 to verify proper adjustment has been achieved.

Shift Cable (If Equipped)

If full range of speeds (forward and reverse) cannot be achieved use the mounting holes in the index bracket to adjust the shift cable tension as follows:

1. Place shift lever in fastest forward speed position.
2. Lift the shift cable index bracket (a) up to create slack in the cable (b). See Figure 2-58.

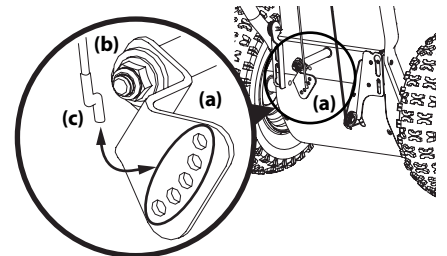


Figure 2-58

3. Disengage the Z fitting (c) from the index bracket.
4. Select new mounting hole and reinsert Z fitting into the index bracket. Using the upper mounting holes will loosen the shift cable. Using the lower mounting holes will tighten the shift cable.
5. Reinsert the Z fitting into the index bracket.
6. To ensure proper shift cable tension perform the following:
 - a. Start the engine and place the shift lever in the slowest forward speed. Using the drive control, ensure the unit moves forward.
 - b. Place the shift lever in the slowest reverse speed. Using the drive control, ensure the unit moves in reverse.
 - c. If necessary continue to adjust cable until the conditions in Steps a and b are satisfied.

Shift Rod (If Equipped)

If full range of speeds (forward and reverse) cannot be achieved, adjust shift rod as follows:

1. Place shift lever in fastest forward speed position.
2. Remove cotter pin (a) and washer (b) from adjustment ferrule on shift rod and pull it out from shift lever. See Figure 2-59.

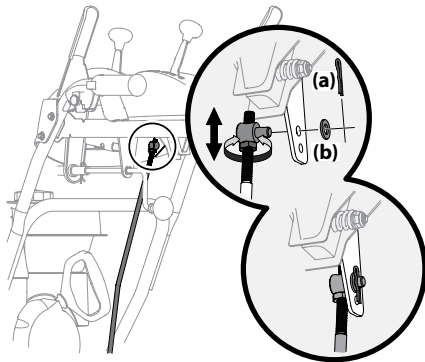


Figure 2-59

3. Make sure the shift lever on the back of the transmission is rotated downward to the full extent of its rotation. See Figure 2-60, Detail "A" for models without hydro transmission or Detail "B" for models with hydro transmission.

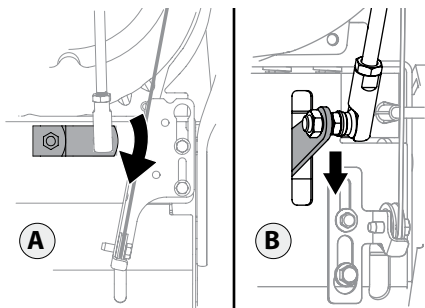


Figure 2-60

4. Rotate ferrule up or down on shift rod as necessary until it lines up with upper hole in shift lever. Refer to Figure 2-59 inset.
5. Insert the ferrule into the upper hole and secure with the washer and cotter pin.

Drive Control (Models with out Hydro Transmission) (If Equipped)

NOTE: Drive control on units with E-Z Chute™ is non-adjustable.

When drive control lever is released and in disengaged "UP" position, cable should have very little slack. It should NOT be tight.

NOTE: If excessive slack is present in drive cable or if unit's drive is disengaging intermittently during operation, the cable may be in need of adjustment.

Check adjustment of drive control levers follows:

1. With drive control lever released, push unit gently forward. It should roll freely.
2. Engage drive control lever and gently attempt to push the unit forward. The wheels should not turn. The unit should not roll freely.
3. If equipped with a shift lever, with drive control lever released, move shift lever back and forth between the R2 position and the F6 position several times. There should be no resistance in the shift lever.

If any of the above tests failed, the drive cable is in need of adjustment. Proceed as follows:

1. Shut OFF engine. Refer to the Engine Operator's Manual.
2. Loosen lower hex screw on drive cable bracket. See Figure 2-61.

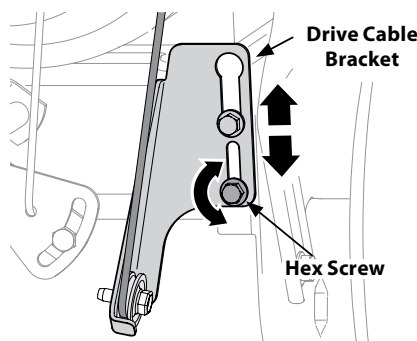


Figure 2-61

3. Position bracket upward to provide more slack (or downward to increase cable tension).
4. Retighten lower hex screw.
5. Check adjustment of drive control lever as described above to verify proper adjustment has been achieved.

Drive Control (Models with Hydro Transmission) (If Equipped)

When drive control lever is released and in disengaged "UP" position, cable should have very little slack. It should NOT be tight.

NOTE: If excessive slack is present in drive cable or if unit's drive is disengaging intermittently during operation, the cable may be in need of adjustment.

1. Shut OFF engine. Refer to the Engine Operator's Manual.
2. Loosen upper hex screw on drive cable bracket. See Figure 2-62.

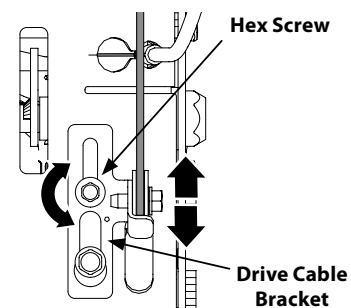


Figure 2-62

3. Position bracket upward to provide more slack (or downward to increase cable tension).
4. Retighten upper hex screw.
5. Check for excessive slack in drive control cable. If necessary repeat Steps 2-4 to re-adjust the drive control.

Adding Fuel & Oil

Refer to the Engine Operator's Manual for information on adding fuel and oil.

*If Equipped

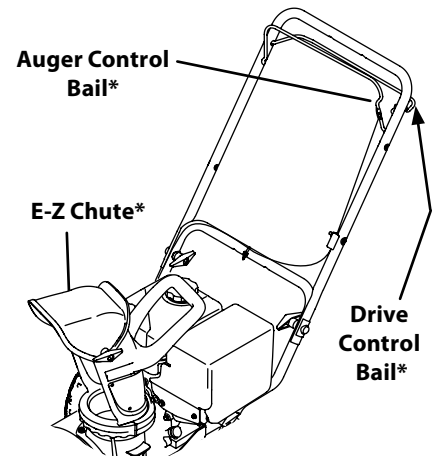
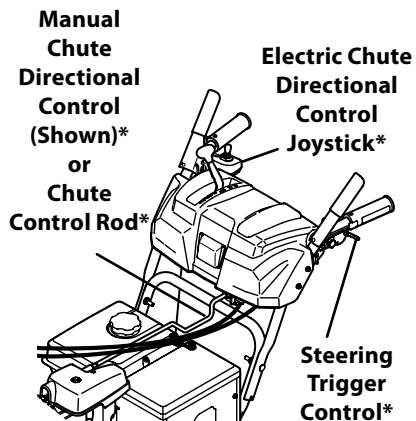
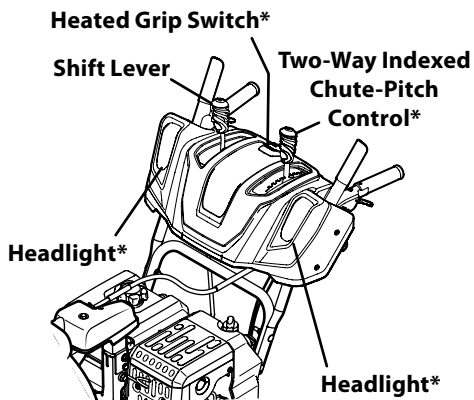
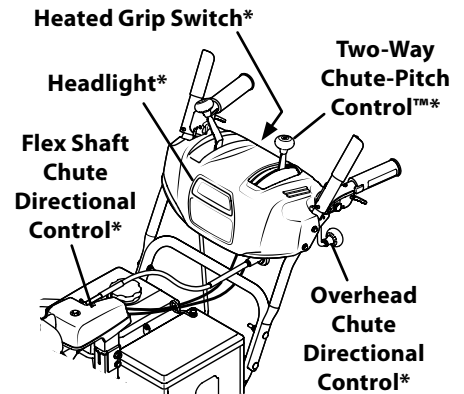
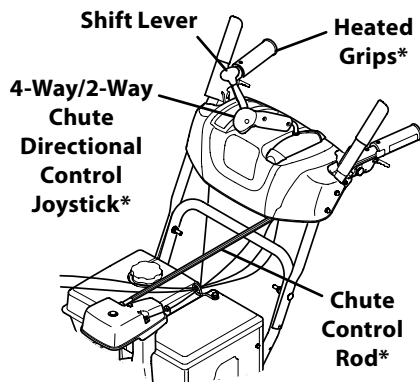
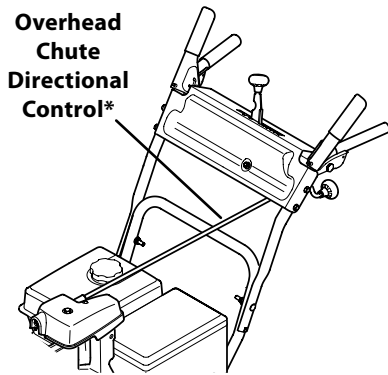
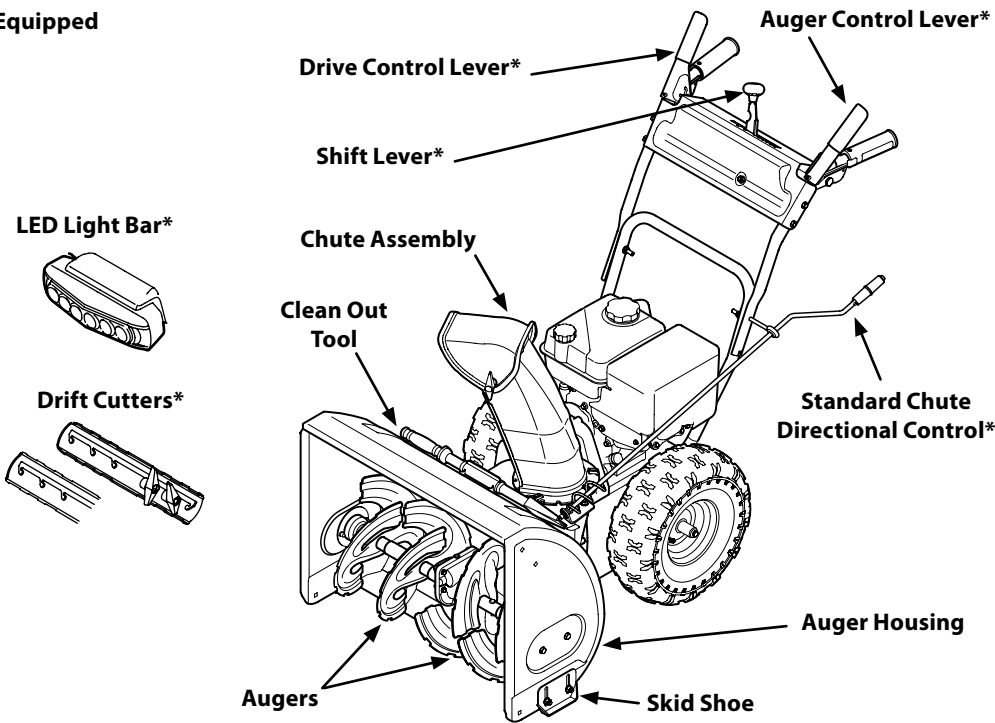


Figure 3-1

Snow thrower controls and features are described below and illustrated in Figure 3-1.

NOTE: This Operator's Manual covers several models. Snow thrower features may vary by model. Not all features in this manual are applicable to all snow thrower models and the snow thrower depicted may differ from yours.

NOTE: All references to the left or right side of the snow thrower are from the operator's position. Any exceptions will be noted.

Engine Controls

Refer to your Engine Operator's Manual for location and description of engine controls pertaining to your engine. Yours may differ slightly from the one pictured in Figure 3-2.

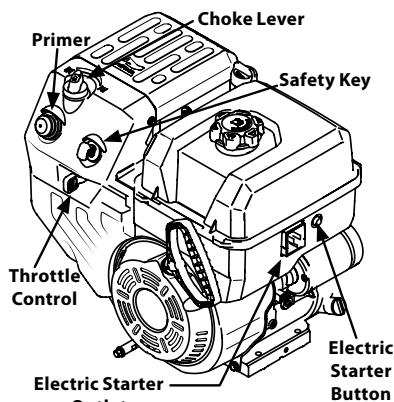


Figure 3-2

Choke Lever

Activating the choke control closes the choke plate on carburetor and aids in starting engine. The choke lever slides between the RUN and CHOKE positions.

Primer

Pressing the primer, making sure to cover the vent hole when pushing, forces fuel directly into the engine's carburetor to aid in cold-weather starting.

Safety Key

The safety key is a safety device. It must be fully inserted in order for the engine to start. Remove the safety key when the snow thrower is not in use.

Electric Starter Outlet

Requires the use of a grounded, three-prong outdoor extension cord and a 120V power source/wall outlet.

Electric Starter Button

Pressing the electric starter button engages the engine's electric starter when plugged into a 120V power source.

Throttle Control

The throttle control regulates the speed of the engine and will shut OFF the engine when moved into the STOP position.

Shift Lever (6-Speed Transmission) (If Equipped)

The shift lever is located on the handle panel and is used to determine ground speed and direction of travel.

Forward

There are six forward (F) speeds. Position one (1) is the slowest and position six (6) is the fastest.

Reverse

There are two reverse (R) speeds. Position one (1) is the slowest and position two (2) is the fastest.

Shift Lever (Hydro Transmission) (If Equipped)

The shift lever is located on the handle panel and is used to determine ground speed and direction of travel. The further forward the lever is the faster the unit will travel. Moving past the detent position to the reverse direction will move the unit in reverse.

Chute Assembly/E-Z Chute™

Snow drawn into the auger housing is discharged out the chute assembly.

Skid Shoes

Position skid shoes based on surface conditions. Adjust upward for hard-packed snow. Adjust downward when operating on gravel or crushed rock surfaces. See Skid Shoe Adjustment section on page 14.

Augers

When engaged, the augers rotate and draw snow into the auger housing.

Headlight (Single or Double) (If Equipped)

The headlight is located on the front of the handle panel and is automatically turned ON when the engine is started.

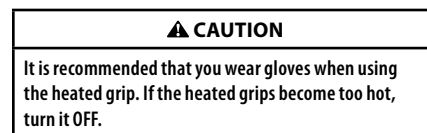
LED Light Bar (If Equipped)

The LED headlight is located on top of the auger housing and is automatically turned ON when the engine is started.

Drift Cutters (If Equipped)

The drift cutters are designed for use in deep snow. Their use is optional for normal snow conditions. Maneuver unit so that the cutters penetrate a high standing snow drift to assist snow falling into the augers for throwing.

Heated Grips (If Equipped)



To activate the heated grips, move switch found on top (a) of or on the rear (b) of dash panel into the ON position. See Figure 3-3. To turn OFF heated grips, move switch to the OFF position.

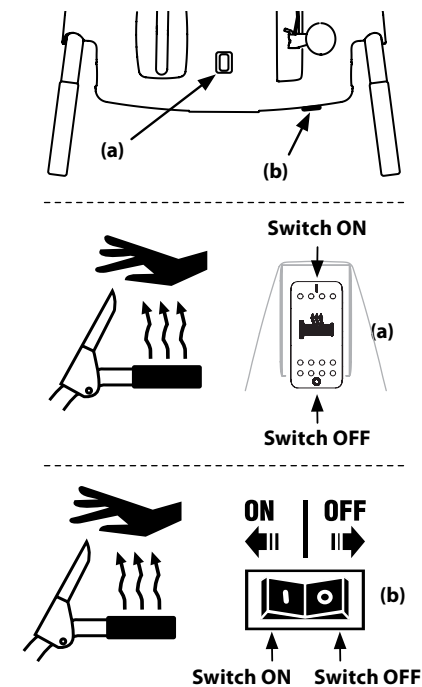


Figure 3-3

Auger Control Lever (If Equipped)

The auger control lever is located on the left handle. Squeeze the control lever against the handle to engage the augers and start snow throwing action. Release to stop. See Figure 3-4.

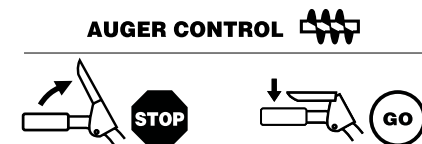


Figure 3-4

IMPORTANT: Refer to the Auger Control information in the Assembly & Set-Up section prior to operating your snow thrower. Read and follow all instructions carefully and perform all adjustments to verify your snow thrower is operating safely and properly.

Drive Control Lever/Auger Clutch Lock* (If Equipped)

The drive control lever is located on the right handle. Squeeze the control lever against the handle to engage the wheel drive. Release to stop. See Figure 3-5.

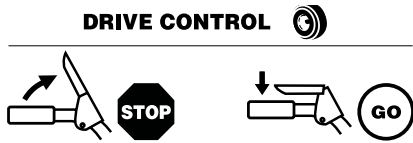


Figure 3-5

*On select models, the drive control lever also locks the auger control lever so that you can operate the chute directional control without interrupting the snow throwing process. If the auger control lever is engaged simultaneously with the drive control lever, the operator can release the auger control lever (on the left handle) and the augers will remain engaged. Release both control levers to stop augers and wheel drive.

NOTE: Always release drive control lever before changing speeds on all units except the 800-series hydro. Failure to do so will result in increased wear on your machine's drive system.

Drive Control Bail (Units with E-Z Chute)

Located on the underside of the upper handle, the drive control bail is used to engage/disengage wheels. Squeeze the drive control bail against the upper handle to engage the wheels; release to disengage.

Auger Control Bail (Units with E-Z Chute)

The auger control bail is adjacent to the upper handle. Squeeze the auger control bail against the upper handle to engage the augers; release to disengage the augers.

IMPORTANT: Refer to the Auger Control information in the Assembly & Set-Up section prior to operating your snow thrower. Read and follow all instructions carefully and perform all adjustments to verify your snow thrower is operating safely and properly.

Steering Trigger Controls (If Equipped)

The left and right wheel steering trigger controls are located on the underside of the handles. Refer to Figure 3-6.

IMPORTANT: Units with Hydro Transmission - When moving the unit without starting the engine, squeeze both right and left triggers to disengage the drive.

STEERING TRIGGER CONTROLS

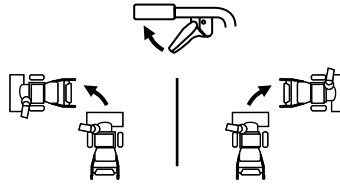


Figure 3-6

- Squeeze the right trigger control to turn right.
- Squeeze the left trigger control to turn left.

CAUTION

Operate the snow thrower in open areas until you are familiar with these controls.

Standard Directional Control (If Equipped)

The standard/U-Joint chute directional control is located on the left side of the unit. To change direction in which snow is thrown, rotate chute directional control. See Figure 3-7.

Overhead Chute Directional Control (If Equipped)

The overhead chute directional control is located at the rear of the snow thrower towards the left side of the unit under the handle panel. To change the direction in which snow is thrown, rotate chute directional control. See Figure 3-7.

CHUTE DIRECTIONAL CONTROL



Figure 3-7

2-Way Chute Directional Control Joystick (If Equipped)

The 2-Way chute directional control joystick is located on the left side of the dash panel.

- To change direction in which snow is thrown, squeeze button on joystick and pivot joystick to right or to the left. See Figure 3-8.

CHUTE DIRECTIONAL CONTROL

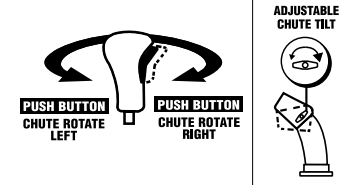


Figure 3-8

4-Way Chute Directional Control Joystick (If Equipped)

The 4-Way chute directional control joystick is located on the left side of the dash panel.

- To change the direction in which snow is thrown, squeeze the button on the joystick and pivot the joystick to the right or to the left. See Figure 3-9.
- To change the angle/distance which snow is thrown, pivot the joystick forward or backward.

CHUTE DIRECTIONAL CONTROL

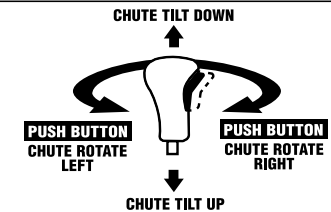


Figure 3-9

Electric Chute Directional Control Joystick (If Equipped)

The electric chute directional control joystick is located on the right side of the dash panel. Refer to Figure 3-10.

- To change the direction in which snow is thrown, move the joystick to the right or to the left.
- To change the angle/distance which snow is thrown, pivot the joystick forward or backward.

ELECTRIC CHUTE DIRECTIONAL CONTROL

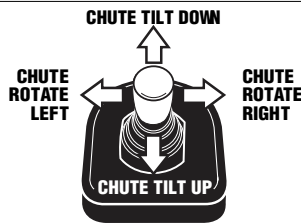


Figure 3-10

Manual Chute Directional Control (Units with Electric Chute Directional Control Joystick) (If Equipped)

Follow this procedure to manually change the chute direction on units equipped with an electric chute directional control joystick and manual chute directional control rod only. See Figure 3-1.

- Remove cotter pin (a) from either of the holes furthest from the chute assembly on chute rotation assembly. See Figure 3-11.

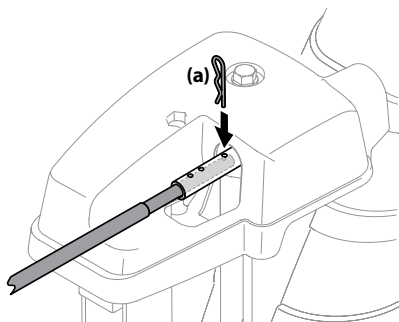


Figure 3-11

- Push in chute control rod until the hole in it lines up with the third hole in chute rotation assembly. See Figure 3-11.
- Reinsert cotter pin (a) through this hole and chute control rod as shown in Figure 3-11.

- Grasp indented portion of chute control rod and manually rotate chute assembly to the right or to the left. See Figure 3-12.

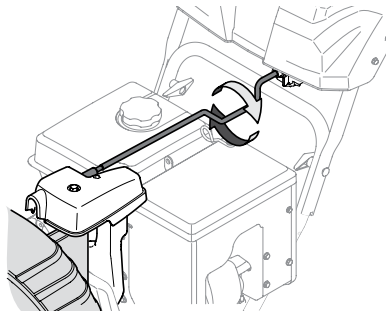


Figure 3-12

Overhead Chute Directional Control (w/ Flex Shaft) (If Equipped)

The overhead chute directional control is located at the rear of the unit towards the left side under the handle panel. To change direction in which snow is thrown, rotate chute directional control. See Figure 3-13.



Figure 3-13

E-Z Chute™ (If Equipped)

Rotate the chute assembly to the left or right using the chute handle (a). See Figure 3-14.

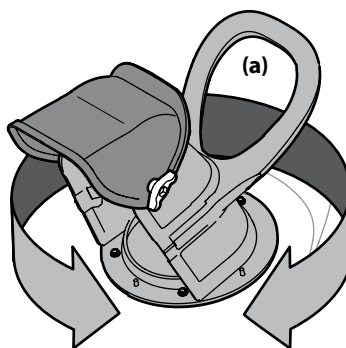


Figure 3-14

Chute-Pitch Control (If Equipped)

The two-way chute-pitch control is located on the left side of the dash panel and is used to control the distance of snow discharge from the chute.

To change the upper chute angle to control the distance that snow is thrown, pivot the lever forward or backward. See Figure 3-15.

Two-Way Chute-Pitch Control

- To Reduce the Distance Snow is Thrown:** Move the lever forward to pivot the upper chute down. See Figure 3-15.
- To Increase the Distance Snow is Thrown:** Move the lever rearward to pivot the upper chute upward. See Figure 3-15.

Two-Way Indexed Chute-Pitch Control

- To Reduce the Distance Snow is Thrown:** Disengage lever from the current chute-pitch setting. Move the lever forward to pivot the upper chute down to the desired pitch setting (a). See Figure 3-15.
- To Increase the Distance Snow is Thrown:** Disengage lever from the current chute-pitch setting. Move the lever rearward to pivot the upper chute upward to the desired pitch setting (a). See Figure 3-15.

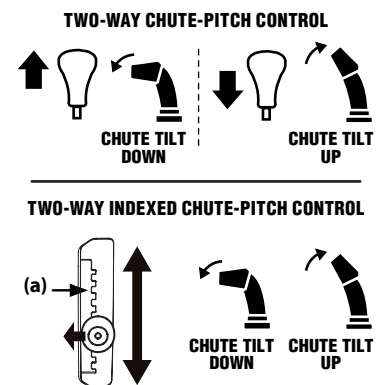


Figure 3-15

Starting and Stopping the Engine

⚠ WARNING!

Always keep hands and feet clear of moving parts. Do not use a pressurized starting fluid. Vapors are flammable.

Refer to the Engine Operator's Manual for instructions on starting and stopping the engine.

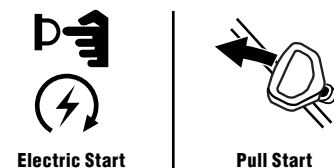


Figure 3-16

To Engage Drive (Drive Control Lever Units)

1. With the throttle control in the Fast (rabbit) position, move the shift lever into one of the six forward (F) positions or two reverse (R) positions on 6-speed units or in the desired position on the Hydro units. Select a speed appropriate for the snow conditions and a comfortable pace.
2. Squeeze the drive control lever against the handle and the snow thrower will move. Release it and drive motion will stop.

To Engage Augers (Auger Control Lever Units)

To engage the augers and start throwing snow, squeeze the auger control lever against the left handle. Release to stop the augers.

To Engage Drive (Drive Control Bail Units)

1. Move the throttle control into the Fast (rabbit) position.
2. To engage the drive, squeeze the drive control bail completely against the upper handle to engage the wheels. To stop the forward motion, release the drive control bail.

To Engage Augers (Auger Control Bail Units)

To engage the augers, squeeze the auger control bail completely against the upper handle. To stop the augers, release handle.

To Steer (If Equipped)

With the drive control lever engaged, squeeze the right steering trigger control to turn right. Squeeze the left steering trigger control to turn left.

CAUTION

Operate the snow thrower in open areas and at slow speeds until you are familiar with the drive control and comfortable operating the steering controls.

Replacing Shear Pins

CAUTION

NEVER replace the auger shear pins with anything other than OEM Part No. 738-04124A (round head replacement shear pins), 738-05273 (black colored, round head replacement shear pins) or 738-06654 (hex head replacement shear pins). Any damage to the auger gearbox or other components as a result of failing to do so will NOT be covered by your snow thrower's warranty.

WARNING!

Always turn OFF the snow thrower's engine and remove the key prior to replacing shear pins.

The augers are secured to the spiral shaft with shear pins (a, b or c) and cotter pins (d). If the auger should strike a foreign object or ice jam, the snow thrower is designed so that the pins may shear. If the augers will not turn, check to see if the pins have sheared. See Figure 3-17.

IMPORTANT: ALWAYS use the correct OEM replacement shear pin.

2-Stage Snow Blowers

- The auger is secured to the spiral shaft using round head shear pins (a) - OEM Part No. 738-04124A.



3-Stage Snow Blowers

- The side augers are secured to the spiral shaft using black colored, round head shear pins (b) - OEM part number 738-05273.
- The central accelerator augers are secured to the spiral shaft using hex head shear pins (c) - OEM part number 738-06654.

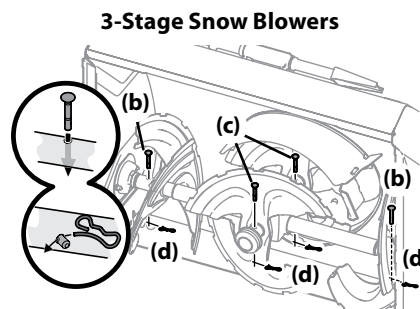
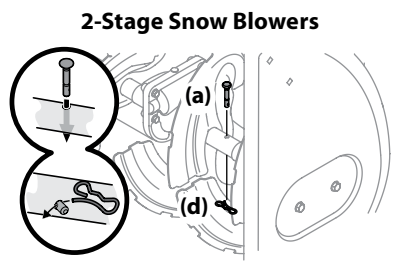


Figure 3-17

Clearing a Clogged Chute Assembly

WARNING!

Never use your hands to clear a clogged chute assembly. Shut OFF engine and remain behind handles until all moving parts have stopped before unlogging.

The chute clean-out tool is conveniently fastened to the rear of the auger housing with a mounting clip. Should snow and ice become lodged in the chute assembly during operation, proceed as follows to safely clear the chute assembly and chute opening:

1. Release both the auger control lever/bail and the drive control lever/bail.
2. SHUT THE ENGINE OFF! Refer to the Engine Operator's Manual. Remove the safety key.
3. Remove clean-out tool from the clip which secures it to the rear of the auger housing.
4. Use the shovel-shaped end of the clean-out tool to dislodge and scoop any snow and ice which has formed in and near the chute assembly. Always use the clean-out tool (Part # 931-2643), not your hands. Refer to the separate supplement for clean-out tool ordering information. See Figure 3-18.
5. Re-fasten the clean-out tool to the mounting clip on the rear of the auger housing, reinsert the safety key and start the snow thrower's engine.
6. While standing in the operator's position (behind the snow thrower), engage the auger control lever/bail for a few seconds to clear any remaining snow and ice from the chute assembly.

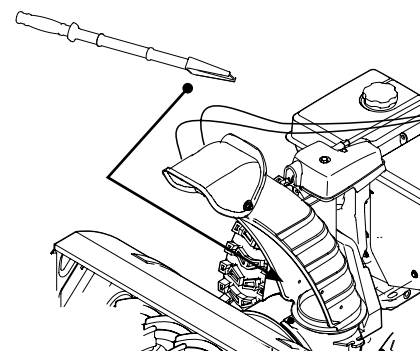


Figure 3-18

▲ WARNING!

Before servicing, repairing or inspecting the snow thrower, disengage the auger control lever. Stop the engine and remove the safety key to prevent unintended starting.

Troubleshooting**Engine Fails to Start**

1. Choke not in CHOKE position.
 - Move choke to CHOKE position. See Engine Operator's Manual.
2. Spark plug wire disconnected.
 - Connect wire to spark plug. See Engine Operator's Manual.
3. Fuel tank empty or stale fuel.
 - Fill tank with clean, fresh fuel. See Engine Operator's Manual.
4. Engine not primed.
 - Prime engine as instructed in Engine Operator's Manual.
5. Faulty spark plug.
 - Clean, adjust gap or replace. See Engine Operator's Manual.
6. Safety key not in switch.
 - Insert safety key fully into switch.
7. Extension cord not connected when using electric start button.
 - Connect one end of extension cord to electric starter outlet and other end to a three-prong 120V, grounded, AC outlet. See Engine Operator's Manual.

Engine Running Erratically/Inconsistent RPM (Hunting or Surging)

1. Engine running on CHOKE.
 - Move choke lever to RUN position. See Engine Operator's Manual.
2. Stale fuel.
 - Fill tank with clean, fresh fuel. See Engine Operator's Manual.
3. Water or dirt in fuel system.
 - Drain fuel tank. Refill with fresh fuel. See Engine Operator's Manual.
4. Carburetor out of adjustment.
 - Contact an authorized Service Center.
5. Engine over-governed.
 - Contact an authorized Service Center.

Engine Overheats

1. Engine oil level low.
 - Fill engine with proper amount of engine oil.

Excessive Vibration

1. Loose parts or damaged auger.
 - Stop engine immediately and disconnect the spark plug wire. Check for possible damage. Tighten all nuts and bolts. Repair as needed. If the problem persists, contact an authorized service center.

Unit Fails to Propel Itself

1. Drive control cable in need of adjustment.
 - Adjust drive control cable. Refer to Drive Control on page 16.
2. Drive belt loose or damaged.
 - Replace drive belt. Contact an authorized Service Center.
3. Friction wheel worn.
 - Replace friction wheel. Refer to Service section on page 26.

Unit Fails to Discharge Snow

1. Chute assembly clogged.
 - Stop engine immediately and disconnect spark plug wire. See Engine Operator's Manual. Clean chute assembly and inside of auger housing with clean-out tool. Refer to Cleaning a Clogged Chute Assembly on page 21.
2. Foreign object lodged in auger.
 - Stop engine immediately and disconnect spark plug wire. See Engine Operator's Manual. Remove object from auger with clean-out tool. Refer to Cleaning a Clogged Chute Assembly on page 21.
3. Auger control cable in need of adjustment.
 - Refer to Auger Control on page 15.
4. Auger belt loose or damaged.
 - Refer to Auger Belt Replacement on page 24 and 25.
5. Shear pin(s) sheared.
 - Refer to Replacing Shear Pins on page 21.

Chute fails to easily rotate 180 -200 degrees

1. Chute assembled incorrectly.
 - Disassemble chute control and reassemble as directed in the Assembly & Set-up section.

Unit Plows Snow Instead of Blowing It

1. Low/slow ground speed in wet/slushy snow 1-3" in depth.
 - Increase ground speed and always operate snow thrower engine at FULL throttle. Refer to Cleaning a Clogged Chute Assembly on page 21.
2. Shear pin(s) sheared.
 - Refer to Replacing Shear Pins on page 21.

Overhead Chute Crank Does Not Stay Stationary While Throwing Snow

1. Insufficient preload applied to chute control.
 - Refer to Chute Assembly on page 24.

Maintenance**Engine**

Refer to Engine Operator's Manual.

Tire Pressure

Refer to Assembly & Set-up section (page 14) for information regarding tire pressure.

Shave Plate & Skid Shoes

The shave plate and skid shoes on the bottom of the snow thrower are subject to wear. They should be checked periodically and replaced when necessary.

NOTE: Deluxe skid shoes (on select models) have two wear edges. When one side wears out, they can be rotated 180° to use the other edge.

To remove skid shoes (Deluxe shown):

1. Remove four carriage bolts (a) and hex flange nuts (b) and flat washers (c) which secure them to the unit.
2. Rotate and reassemble new skid shoes with four carriage bolts (a) (two on each side) and hex flange nuts (b) and flat washers (c). Refer to Figure 4-1.

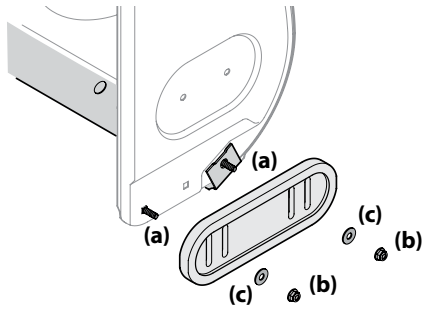


Figure 4-1

To remove shave plate:

1. Allow the engine to run until it is out of fuel. Do not attempt to pour fuel from the engine.
2. Carefully pivot unit up and forward so that it rests on the auger housing.
3. Remove carriage bolts (a) and hex nuts (b) which attach it to auger housing. See Figure 4-2.

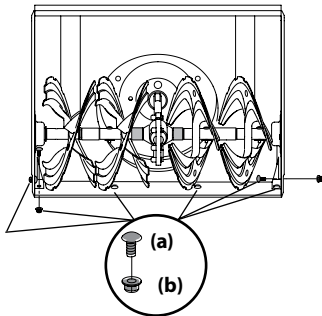


Figure 4-2

4. Reassemble new shave plate, making sure heads of carriage bolts are to the inside of housing. Tighten securely. See Figure 4-2.

NOTE: The shave plate on select units (shown in Figure 4-3) have a wear edge that can be adjusted forward to prolong its life. As the shave plate wears, it can be moved into a second position.

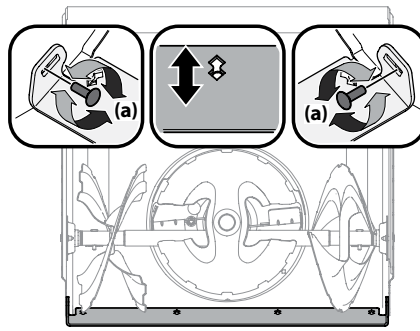


Figure 4-3

To move adjustable shave plate (if equipped):

1. Allow engine to run until it is out of fuel. Do not attempt to pour fuel from the engine.
2. Carefully pivot unit up and forward so that it rests on auger housing.
3. Loosen rear skid shoe bolts (a) on both sides of equipment housing and remove carriage bolts and hex nuts which attach shave plate to auger housing. See Figure 4-3 and Figure 4-2.
4. Slide shave plate downward into second position. Reinstall and tighten all bolts securely. See Figure 4-3.

Off-Season Storage

If the unit will not be used for 30 days or longer, follow the storage instructions below.

1. Run engine until fuel tank is empty and it stops due to lack of fuel. Do not attempt to pour fuel from engine.
2. Lubricate machine as instructed on page 23.
3. Store in a clean, dry area.
4. If storing unit in an unventilated area, rustproof machine using a light oil or silicone to coat the snow thrower.
5. Clean the exterior of the engine and the snow thrower.

IMPORTANT: When storing unit or when it is not being serviced, it is to remain in the operating position with both wheels and auger housing on the ground.

Lubrication

Wheels

At least once a season, remove both wheels. Clean and coat axles with a multipurpose automotive grease before reinstalling wheels.

Chute Directional Control (If Equipped)

Once a season, lubricate eye-bolt bushing and the spiral with 3-in-1 oil.

Gear Shaft (If Equipped)

The gear (hex) shaft should be lubricated at least once a season or after every twenty-five (25) hours of operation.

1. Allow engine to run until it is out of fuel.
2. Carefully pivot unit up and forward so that it rests on auger housing.
3. Remove frame cover from underside of unit by removing self-tapping screws (a) which secure it. Refer to Figure 4-4.

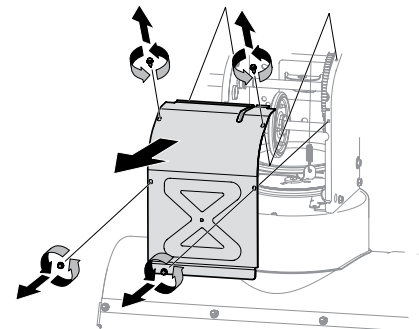


Figure 4-4

4. Apply a light coating of Bostik Regular Grade Never-Seez® to hex shaft. See Figure 4-5.

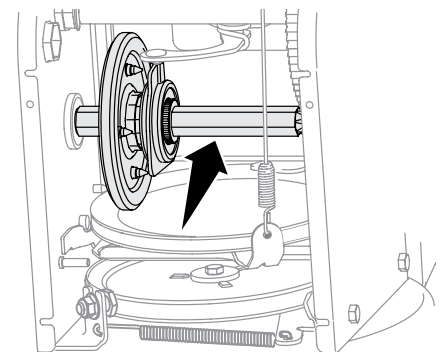
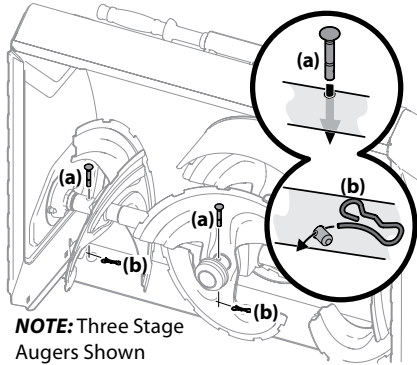


Figure 4-5

NOTE: When lubricating hex shaft, be careful not to get any lubricant on aluminum drive plate or rubber friction wheel. Doing so will hinder unit's drive system. Wipe off any excess or spilled lubricant.

Auger Shaft

At least once a season, remove shear pins (a) and cotter pins (b) from auger shaft(s). Spray lubricant inside shaft and around spacers and flange bearings found at either end of shaft(s). See Figure 4-6.



NOTE: Three Stage Augers Shown

Figure 4-6

IMPORTANT: On 3-stage units, there is an additional shear pin in the rear accelerator.

Adjustments

Shift Rod (If Equipped)

Refer to Shift Rod on page 16 for instructions on adjusting shift rod.

Shift Cable (If Equipped)

Refer to Shift Cable on page 15 for instructions on adjusting shift cable.

Auger Control (If Equipped)

Refer to Auger Control on page 15 for instructions on adjusting auger control cable.

Drive Control (If Equipped)

Refer to Drive Control on page 16 for instructions on adjusting drive control cable.

Skid Shoes

Refer to Assembly & Set-up section (page 14) for instructions on adjusting skid shoes.

Chute Bracket (If Equipped)

If spiral at bottom of the chute directional control is not fully engaging with chute assembly, chute bracket needs to be adjusted. To do so:

1. Loosen two nuts (a) which secure chute bracket and reposition it slightly. See Figure 4-7.

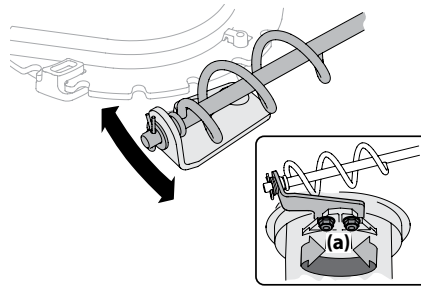


Figure 4-7

2. Retighten nuts.

Chute Control Rod (Two Way & Four Way Chute Control) (If Equipped)

To adjust chute control rod for increased engagement into the handle panel control, proceed as follows:

1. Remove hairpin clip (a) from hole closest to chute assembly on chute rotation assembly.
2. Pull out chute control rod until hole in it lines up with second hole in chute rotation assembly. See Figure 4-8.

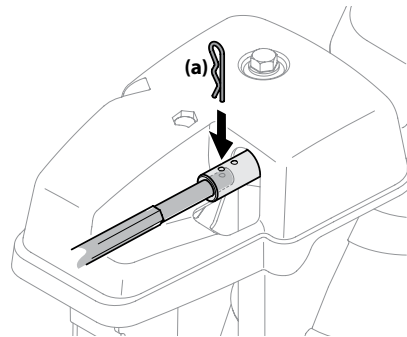


Figure 4-8

3. Reinsert hairpin clip (a) through this hole and chute control rod.

Chute Assembly/E-Z Chute™

Refer to Assembly & Set-up section (page 12) for instructions on adjusting chute assembly/E-Z Chute™.

Chute Assembly (Overhead Chute Control) (If Equipped)

If chute fails to remain stationary during operation, pre-load of chute can be adjusted by tightening hex nut found on front of chute control assembly.

1. To increase preload, tighten hex nut (a) clockwise in ¼ turn intervals. The chute control rod (b) will need to be held stationary when tightening the nut. See Figure 4-9.

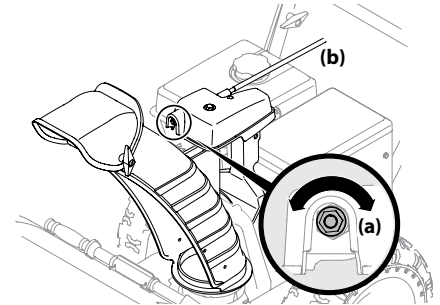


Figure 4-9

2. If chute directional control is difficult to crank, decrease preload by loosening hex nut counter-clockwise in ¼ turn intervals.

Service

Auger Belt Replacement (500, 600 and 800 Series)

To remove and replace auger belt, proceed as follows:

1. Allow engine to run until it is out of fuel. Do not attempt to pour fuel from engine.
2. Remove plastic belt cover on front of engine by removing two self-tapping screws (a). See Figure 4-10.

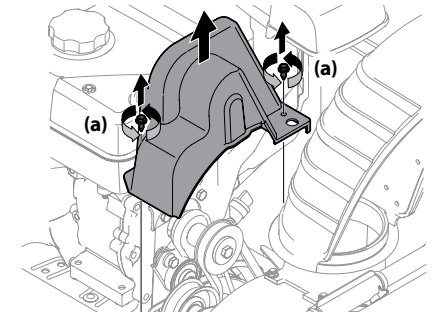


Figure 4-10

NOTE: On models equipped with the LED light bar on top of the auger housing, make sure to unplug the wire harness before removing the belt cover as shown in Figure 4-11.

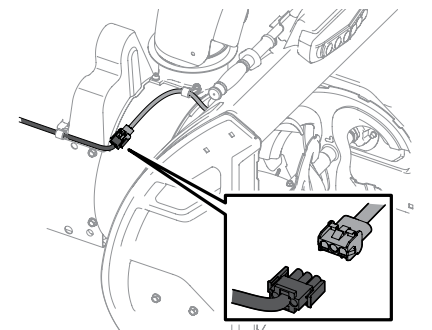


Figure 4-11

- Roll auger belt off engine pulley. See Figure 4-12.

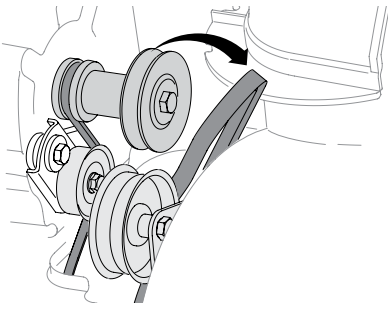
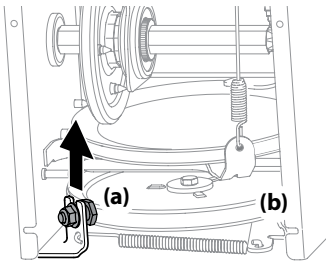


Figure 4-12

- Carefully pivot the unit up and forward so that it rests on the auger housing.
- Remove frame cover from underside of unit by removing self-tapping screws which secure it. See Figure 4-4.
- Loosen and remove shoulder bolt (a) which acts as a belt keeper and unhook the spring (b) from the frame. See Figure 4-13.



NOTE: Multi-speed unit shown.

Figure 4-13

- Remove belt from around auger pulley, and slip it between support bracket and auger pulley. See Figure 4-14.

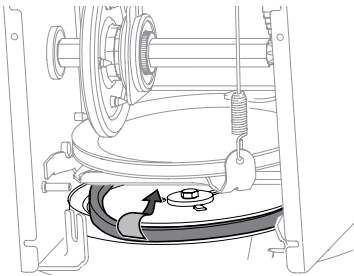


Figure 4-14

NOTE: Engaging auger control will ease removal and installation of belt.

- Replace auger belt by following instructions in reverse order.
- NOTE:** Make sure to reinstall shoulder bolt (a) and reconnect spring to frame after installing a replacement auger belt. Refer to Figure 4-13.
- After replacing auger belt, perform Auger Control test in Assembly & Set-Up section (page 15).

Auger Belt Replacement (300 Series)

- Allow the engine to run until it is out of fuel. Do not attempt to pour fuel from the engine.
- Remove the safety key to prevent accidental starting.
- Remove the self-tapping screw (a) shown in Figure 4-15, and press the plastic tabs (b) to release the belt cover (c). Pull the belt cover (c) up and out from around the engine and chute assembly. Set it aside and save.

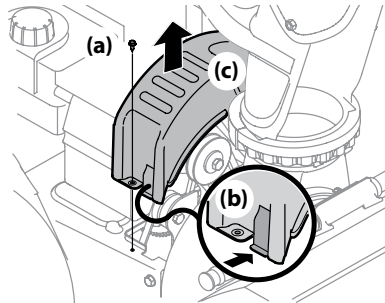


Figure 4-15

- Tip the snow thrower up and forward so that it rests on the auger housing. Remove the belt keeper (a). See Figure 4-16. Return the snow thrower to its upright position to complete the following steps.

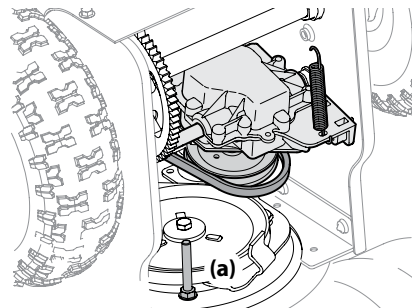


Figure 4-16

- Slip the front auger belt (a) off of the engine pulley (b), pushing it forward and rolling it off of the engine pulley (b). See Figure 4-17.

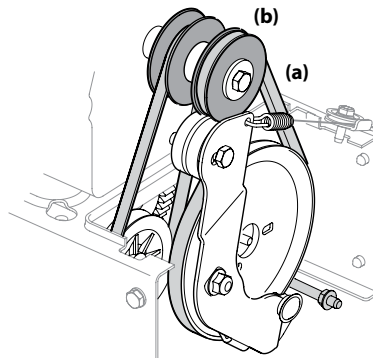


Figure 4-17

- Squeeze the auger control bail to release the auger brake, which is the tab that holds the belt onto the auger pulley. Remove the belt.
- Replace auger belt by following instructions in reverse order.
- After replacing auger belt, perform Auger Control test in Assembly & Set-Up section (page 15).

Drive Belt Replacement (500, 600 and 800 Series)

NOTE: See your authorized service dealer to have drive belt replaced or contact Customer Support.

Drive Belt Replacement (300 Series)

- Remove the auger belt as instructed on page 25.
- Remove the spring (a) that connects the transmission to a bolt on the engine frame. See Figure 4-18.

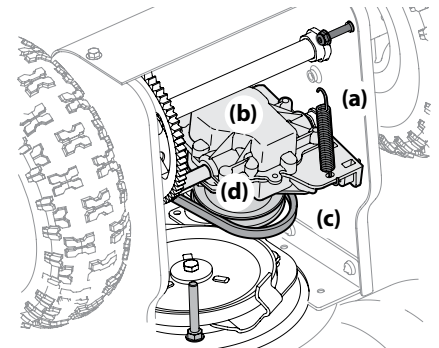


Figure 4-18

NOTE: It may be easier to first remove the flange lock nut, then use needle-nosed pliers to firmly grip spring and remove from bolt.

- Pivot the transmission (b) forward to release pressure on the drive belt (c). Remove drive belt (c) from transmission pulley (d).
- Remove the drive belt (a) from around the engine pulley (b), and away from the unit. See Figure 4-19.

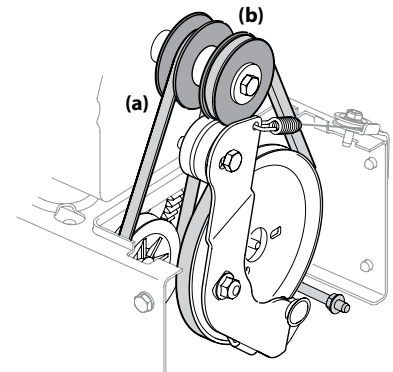


Figure 4-19

- Place the new drive belt (a) on the engine pulley. See Figure 4-19.
- Tilt the transmission (b) forward and position the drive belt (c) onto the transmission pulley (d). See Figure 4-18.
- Reconnect the spring (a) to the bolt on the engine frame and secure the transmission. Reinstall the flange lock nut. See Figure 4-18.
- Reinstall the auger belt as instructed on page 25.
- Reassemble the belt cover on the snow thrower
- Reassemble the belt keeper to the housing.

Friction Wheel Inspection (Steerable 500 and 800 Series & Non-Steerable Single Speed 600 Series)

If unit fails to drive with drive control lever engaged, and performing drive control cable adjustment fails to correct problem, the friction wheel may need to be replaced.

NOTE: Special tools are required and several components must be removed in order to replace the unit's friction wheel rubber. See your authorized service dealer to have friction wheel rubber replaced or contact Customer Support.

To inspect friction wheel, proceed as follows:

- Allow engine to run until it is out of fuel. Do not attempt to pour fuel from engine.
- Carefully pivot unit up and forward so that it rests on auger housing.
- Remove frame cover from underside of unit by removing four self-tapping screws which secure it. See Figure 4-4.
- Inspect friction wheel for signs of wear or cracking.

Friction Wheel Removal (Multi-Speed Non-Steerable 600 Series)

If unit fails to drive with drive control lever engaged, and performing drive control cable adjustment fails to correct the problem, friction wheel may need to be replaced. Follow the instructions below. Examine friction wheel for signs of wear or cracking and replace if necessary.

- Allow engine to run until it is out of fuel. Do not attempt to pour fuel from engine.
- Place shift lever in first Forward (F1) position.
- Carefully pivot unit up and forward so that it rests on auger housing.

- Remove frame cover from underside of unit by removing self-tapping screws which secure it. See Figure 4-4. Remove right-hand wheel by removing screw and bell washer which secure it to axle. See Figure 4-20.

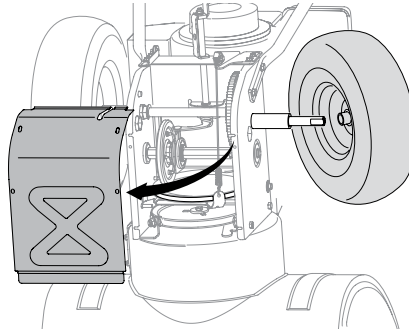


Figure 4-20

- Carefully remove hex nut (a) which secures hex shaft to frame and lightly tap the shaft's end to dislodge ball bearing from right side of frame. See Figure 4-21.

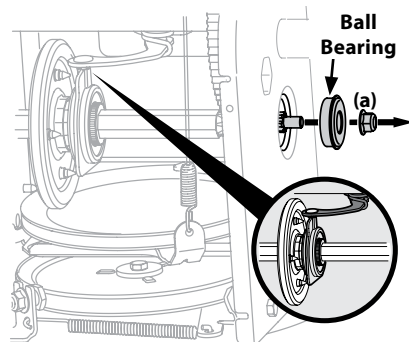


Figure 4-21

NOTE: Be careful not to damage threads on shaft.

- Carefully position hex shaft downward and to left before carefully sliding friction wheel assembly off shaft. See Figure 4-22.

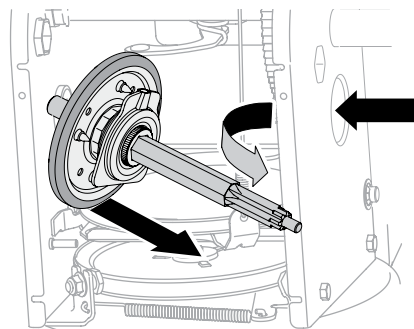


Figure 4-22

NOTE: If you're replacing friction wheel assembly as a whole, discard the worn part and slide new part onto hex shaft.

- Follow previous steps in reverse order to reassemble components.

- Perform Drive Control test shown on page 16.

If you're disassembling friction wheel and replacing only rubber ring, proceed as follows:

NOTE: Not all friction wheels are serviceable. If this is the case, simply replace friction wheel assembly.

- Remove four screws (a) which secure friction wheel's side plates together. See Figure 4-23.

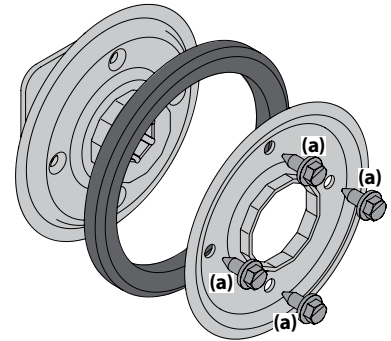


Figure 4-23

- Remove rubber ring from between the plates.
- Reassemble side plates with a new rubber ring.

NOTE: When reassembling friction wheel assembly, make sure that rubber ring is centered and seated properly between the side plates. Tighten each screw only one rotation before turning wheel clockwise and proceeding with next screw. Repeat this process several times to ensure plates are secured with equal force (between 145-115 in-lbs).

- Slide friction wheel assembly back onto hex shaft and follow the steps above in reverse order to reassemble components.
- After replacing friction wheel, perform Drive Control test shown on page 16.

NOTE: Make sure shift lever pin is in place in bearing housing. See Figure 4-21 inset.

Hydro Transmission (If Equipped)

NOTE: See your authorized service dealer to have the Hydro Transmission serviced or contact Customer Support for assistance and the name of your nearest servicing dealer.

Single Speed Transmission (Models Equipped with E-Z Chute)

NOTE: See your authorized service dealer to have the single speed transmission serviced or contact Customer Support for assistance and the name of your nearest servicing dealer.

MANUAL DEL OPERADOR

Máquina quitanieves

2 etapas y 3 etapas
(Serie 300, 500, 600 y 800)

Índice

<i>Medidas de seguridad</i>	2	<i>Cuidado del producto</i>	22
<i>Montaje y configuración</i>	5	<i>Piezas/Garantía</i>	<i>Consulte el suplemento que se adjunta por separado</i>
<i>Controles y funcionamiento</i>	17		

ADVERTENCIA

LEA Y OBSERVE TODAS LAS NORMAS E INSTRUCCIONES DE SEGURIDAD INCLUIDAS EN ESTE MANUAL ANTES DE PONER EN FUNCIONAMIENTO LA MÁQUINA. SI NO SIGUE ESTAS INSTRUCCIONES PUEDE PROVOCAR LESIONES PERSONALES.

NOTA: Este manual de operación, corresponde a numerosos modelos. Las características técnicas pueden variar según los modelos. No todas las características técnicas que se incluyen en este manual se aplican a todos los modelos y la máquina que se ilustra aquí puede diferir de la suya.

⚠ ¡ADVERTENCIA!

La presencia de este símbolo indica que se trata de instrucciones de seguridad importantes que debe respetar para evitar poner en riesgo su seguridad personal y/o material y la de los demás. Lea y siga todas las instrucciones de este manual antes de poner en funcionamiento este equipo. Si no respeta estas instrucciones puede provocar lesiones personales. Cuando vea este símbolo. **TENGA EN CUENTA LA ADVERTENCIA.**

⚠ ¡ADVERTENCIA!

PROPOSICIÓN 65 DE CALIFORNIA

El escape del motor de este producto, algunos de sus componentes y algunos componentes del vehículo contienen o liberan sustancias químicas que el estado de California considera que pueden producir cáncer, defectos de nacimiento u otros problemas reproductivos.

⚠ ¡PELIGRO!

Esta motor está diseñada para ser utilizada respetando las normas de seguridad contenidas en este manual. Al igual que con cualquier tipo de equipo motorizado, un descuido o error por parte del operador puede producir lesiones graves. De no respetar las instrucciones de seguridad siguientes se pueden producir lesiones graves o la muerte.

- Mantenga a los observadores, las mascotas y los niños por lo menos a 75 pies de la máquina siempre que esté funcionando. Detenga la máquina si alguien se acerca.
- Sea precavido para evitar patinarse o caerse, especialmente cuando opera la máquina en marcha atrás.

Preparativos

Inspeccione minuciosamente el área donde utilizará el equipo. Saque todos los felpudos, periódicos, trineos, tablas, cables y otros objetos extraños con los que podría tropezar o que podrían ser arrojados por la barrena.

- Para protegerse los ojos utilice siempre anteojos o antiparras de seguridad mientras opera la máquina o mientras la ajusta o repara. Los objetos arrojados que rebotan pueden causar lesiones graves en los ojos.
- No opere la máquina sin la vestimenta adecuada para estar al aire libre en invierno. No utilice alhajas, bufandas largas u otras prendas sueltas que podrían enredarse en las partes móviles. Utilice un calzado especial para superficies resbaladizas.
- Use un prolongador y un tomacorriente de tres cables con conexión a tierra para todas las máquinas con motores de encendido eléctrico.
- Ajuste la altura de la caja de la barrena para limpiar la grava o las superficies con piedras trituradas.
- Desengrane todas las palancas de control antes de arrancar el motor.
- Nunca intente hacer ajustes mientras el motor está en marcha, excepto cuando así lo recomiende específicamente el manual del operador.
- Deje que el motor y la máquina se adapten a la temperatura exterior antes de comenzar a sacar la nieve.

Manejo seguro de la gasolina

Para evitar lesiones personales o daños materiales tenga mucho cuidado al manipular la gasolina. La gasolina es sumamente inflamable y sus vapores pueden causar explosiones. Si se derrama gasolina encima o sobre la ropa se puede lesionar gravemente ya que se puede encender. Lávese la piel y cámbiese de ropa de inmediato.

- Utilice sólo los recipientes para gasolina autorizados.
- Apague todos los cigarrillos, cigarros, pipas y otras fuentes de combustión.
- Nunca cargue combustible en la máquina en un espacio cerrado.
- Nunca saque la tapa del combustible ni agregue combustible mientras el motor está caliente o en marcha.
- Deje que el motor se enfríe por lo menos dos minutos antes de volver a cargar combustible.

- Nunca llene en exceso el depósito de combustible. Llene el tanque a no más de ½ pulgada por debajo de la base del cuello de llenado dejando espacio para la dilatación del combustible.
- Vuelva a colocar el tapón de combustible y ajústelo bien.
- Limpie el combustible que se haya derramado sobre el motor y el equipo. Traslade la máquina a otra zona. Espere 5 minutos antes de encender el motor. Si se derramara combustible sobre la ropa, cámbiese de ropa de inmediato.
- Nunca almacene la máquina o el recipiente de combustible en un espacio cerrado donde haya fuego, chispas o luz piloto (por ejemplo, hornos, calentadores de agua, calefactores, secadores de ropa, etc.).
- Deje que la máquina se enfríe por lo menos 5 minutos antes de guardarla.
- Nunca llene los recipientes dentro de un vehículo o un camión o un remolque con recubrimiento plástico. Coloque siempre los recipientes en el piso y lejos del vehículo antes de llenarlo.
- Si es posible, retire el equipo a gasolina del camión o remolque y llénelo en el suelo. Si esto no es posible, llene el equipo en un remolque con un recipiente portátil, en vez de hacerlo desde una boquilla dispensadora de gasolina.
- En todo momento mantenga la boquilla en contacto con el borde del depósito de combustible o con la abertura del recipiente, hasta terminar la carga. No utilice un dispositivo de apertura/cierre de la boquilla.

Funcionamiento

- No ponga las manos o los pies cerca de las piezas giratorias, en la caja de la barrena o en el conjunto del canal. El contacto con las piezas giratorias puede amputar manos y pies.
- La palanca de control de la barrena es un dispositivo de seguridad. Nunca anule su funcionamiento. De hacerlo la operación de la máquina es riesgosa y puede ocasionar lesiones.
- Las palancas de control deben funcionar bien en ambas direcciones y regresar automáticamente a la posición de desactivación cuando se las suelta.
- Nunca opere la máquina si falta un conjunto de canal o si el mismo está dañado. Mantenga todos los dispositivos de seguridad en su lugar y en funcionamiento.
- Nunca encienda el motor en espacios cerrados o en una zona con poca ventilación. El escape del motor contiene monóxido de carbono, un gas inodoro y letal.

Capacitación

- Lea, entienda y cumpla todas las instrucciones incluidas en la máquina y en el(los) manual(es) antes de intentar realizar el montaje de la unidad y utilizarla. Guarde este manual en un lugar seguro para consultas futuras y periódicas, así como para solicitar repuestos.
- Familiarícese con todos los controles y con el uso adecuado de los mismos. Sepa cómo detener la máquina y desactivar los controles rápidamente.
- No permita nunca que los niños menores de 14 años utilicen esta máquina. Los niños de 14 años en adelante deben leer y entender las instrucciones y las normas de seguridad contenidas en este manual y en la máquina, y deben ser entrenados y supervisados por un adulto.
- Nunca permita que los adultos operen esta máquina sin recibir antes la instrucción apropiada.
- Los objetos arrojados por la máquina pueden causar lesiones graves. Planifique el patrón en el que va a ir arrojando nieve para evitar que la descarga de material se realice hacia los caminos, los observadores, etc.

6. No utilice la máquina bajo la influencia de alcohol o drogas.
7. El silenciador y el motor se calientan y pueden causar quemaduras. No los toque. Mantenga a los niños alejados.
8. Tenga mucho cuidado si cruza o usa la máquina en superficies con grava. Manténgase atento al tráfico y los riesgos ocultos.
9. Tenga cuidado cuando cambie de dirección o cuando opere la máquina en pendientes. No la utilice en pendientes pronunciadas.
10. Planifique el patrón en el que va a ir arrojando nieve para evitar que la descarga de material se produzca hacia las ventanas, las paredes, los automóviles, etc. y evitar así posibles daños materiales o lesiones producidas por los rebotes.
11. Nunca dirija la descarga hacia los niños, los observadores o las mascotas ni deje que nadie se pare delante de la máquina.
12. No sobrecargue la capacidad de la máquina tratando de sacar la nieve muy rápidamente.
13. Nunca opere esta máquina si no cuenta con buena visibilidad o luz. Siempre esté seguro de dónde apoya los pies y mantenga con firmeza las manos en las manijas. Camine, nunca corra.
14. Suelte la palanca de control de la barrena para desactivar el suministro de energía a la barrena al transportar la unidad o cuando no esté quitando nieve.
15. Nunca opere la máquina a altas velocidades de desplazamiento sobre superficies resbaladizas. Mire hacia abajo y hacia atrás, y tenga cuidado cuando vaya marcha atrás.
16. Después de golpear un objeto extraño o si la máquina comenzara a vibrar de manera anormal, detenga el motor, desconecte el cable de la bujía y póngala de manera que haga masa contra el motor.
17. Desengrane todas las palancas de control y pare el motor antes de dejar la posición de operación (detrás de las manijas). Espere a que la barrena se detenga por completo antes de destapar el conjunto del canal o de realizar ajustes o inspecciones.
18. Nunca ponga las manos en las aberturas de descarga o de recolección. Utilice siempre la herramienta de limpieza que se adjunta para destapar la abertura de descarga. No destape el conjunto del canal mientras el motor está en funcionamiento. Antes de destaparlo, apague el motor y permanezca detrás de las manijas hasta que todas las piezas móviles se hayan detenido.
19. Use sólo uniones y accesorios aprobados por el fabricante (por ejemplo, pesas para las ruedas, cadenas para los neumáticos, cabinas, etc.).

20. Para encender el motor, tire lentamente de la cuerda hasta sentir resistencia, luego tire rápidamente. El repliegue rápido de la cuerda de arranque (retroceso o rebote) le jalará la mano y el brazo hacia el motor más rápido de lo que usted tarda en soltarla. Puede llegar a causar huesos rotos, fracturas, hematomas y esguinces.
21. Si se presentan situaciones que no están previstas en este manual, tenga cuidado y use el sentido común. Póngase en contacto con Asistencia al Cliente para solicitar ayuda y el nombre del distribuidor de servicio más cercano.

Procedimiento para despejar un canal de descarga obstruido

El contacto de las manos con el impulsor rotatorio que está dentro del canal de descarga es la causa más común de lesiones asociadas con las máquinas quitanieves. Nunca use las manos para limpiar el canal de descarga.

Para despejar el canal:

1. ¡APAGUE EL MOTOR!
2. Espere 10 segundos para estar seguro de que las cuchillas del motor han dejado de rotar.
3. Utilice siempre una herramienta de limpieza, no use las manos.

Mantenimiento y almacenamiento

1. Nunca altere los dispositivos de seguridad. Controle periódicamente que funcionen correctamente. Remítase a las secciones de mantenimiento y ajuste de este manual.
2. Antes de realizar la limpieza, reparar o revisar la máquina, desengrane todas las palancas de control y detenga el motor. Espere a que la barrena se detenga por completo. Desconecte el cable de la bujía y póngalo haciendo masa contra el motor para evitar que se encienda accidentalmente.
3. Controle a intervalos frecuentes que los pernos y tornillos estén bien apretados para mantener la máquina en condiciones de uso seguro. Además, haga inspecciones visuales de la máquina para verificar si sufrió algún daño.
4. No cambie la configuración del regulador del motor ni acelere demasiado el mismo. El regulador del motor controla la velocidad máxima de funcionamiento seguro del motor.
5. Las placas de raspado y las zapatas antideslizantes que se usan con la máquina quitanieves se desgastan y se dañan. Para proteger su seguridad, verifique frecuentemente todos los componentes y reemplácelos sólo con partes de los fabricantes de equipo original (OEM). "El uso de repuestos que no cumplen con las especificaciones del equipo original puede resultar en rendimiento inadecuado y puede comprometer la seguridad".

6. Revise las palancas de control periódicamente para verificar que engranen y desengranen adecuadamente y ajústelas si es necesario. Consulte la sección de ajustes de este manual del operador para obtener instrucciones.
7. Mantenga o reemplace las etiquetas de seguridad y de instrucciones según sea necesario.
8. Observe las leyes y reglamentos sobre la correcta disposición del gas, el petróleo, etc., para proteger el medio ambiente.
9. Antes de almacenar la máquina enciéndala unos minutos para sacar la nieve que haya quedado en la misma y para evitar así que se congele la barrena.
10. Nunca almacene la máquina o el recipiente de combustible en un espacio cerrado donde haya una llama expuesta, chispas o piloto de encendido como por ejemplo, de calentadores de agua, hornos, secadores de ropa, etc.
11. Consulte siempre el manual del operador para obtener instrucciones adecuadas para el almacenamiento fuera de temporada.
12. Verifique frecuentemente la línea de combustible, el depósito, el tapón, y los accesorios buscando rajaduras o pérdidas. Reemplace cuando sea necesario.
13. No dé arranque al motor si no está la bujía de encendido.
14. Según la Comisión de Seguridad de Productos para el Consumidor de los Estados Unidos (CPSC) y la Agencia de Protección Ambiental de los Estados Unidos (EPA), este producto tiene una vida útil media de siete (7) años ó 60 horas de funcionamiento. Al finalizar la vida útil media haga inspeccionar anualmente esta unidad por un distribuidor de servicio autorizado para cerciorarse de que todos los sistemas mecánicos y de seguridad funcionan correctamente y no tienen excesivo desgaste. Si no lo hace, puede ocasionar accidentes, lesiones o la muerte.

No modifique el motor

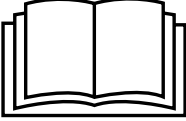








Para evitar lesiones graves o la muerte, no modifique el motor de ninguna manera. Si altera la configuración del regulador, el motor se puede desbocar y funcionar a velocidades que no son seguras. Nunca cambie la configuración de fábrica del regulador del motor.

Aviso referido a emisiones

Los motores que están certificados y cumplen con las normas sobre emisiones federales EPA y de California para SORE (Equipos pequeños todo terreno) están certificados para funcionar con gasolina sin plomo común y pueden incluir los siguientes sistemas de control de emisiones: Modificación de motor (EM), catalizador oxidante (OC), inyección de aire secundaria (SAI) y catalizador de tres vías (TWC) si están instalados.

Símbolos de seguridad

En esta página se presentan y describen los símbolos de seguridad que pueden aparecer en este producto. Lea, entienda y siga todas las instrucciones incluidas en la máquina antes de intentar armarla y hacerla funcionar.

Símbolo	Descripción
	LEA LOS MANUALES DEL OPERADOR Lea, entienda y siga todas las instrucciones incluidas en los manuales antes de intentar armarla y hacerla funcionar.
	ADVERTENCIA – CUCHILLAS GIRATORIAS Mientras la máquina está en funcionamiento, mantenga las manos lejos de las aberturas de entrada y de descarga. En el interior, hay cuchillas giratorias.
	ADVERTENCIA – CUCHILLAS GIRATORIAS Mientras la máquina está en funcionamiento, mantenga las manos lejos de las aberturas de entrada y de descarga. En el interior, hay cuchillas giratorias.
	ADVERTENCIA— BARRENA GIRATORIA No ponga las manos o los pies cerca de las piezas giratorias, en la caja de la barrena o en el conjunto del canal. El contacto con las piezas giratorias puede amputar manos y pies.
	ADVERTENCIA — OBJETOS LANZADOS Esta máquina puede recoger y lanzar objetos que pueden causar lesiones personales graves..
	ADVERTENCIA—LA GASOLINA ES INFLAMABLE Deje que el motor se enfríe por lo menos dos minutos antes de volver a cargar combustible.
	ADVERTENCIA — MONÓXIDO DE CARBONO Nunca encienda el motor en espacios cerrados o en una zona con poca ventilación. El escape del motor contiene monóxido de carbono, un gas inodoro y letal.
	ADVERTENCIA— DESCARGAS ELÉCTRICAS No use el arranque eléctrico del motor bajo la lluvia.
	ADVERTENCIA— SUPERFICIE CALIENTE Las piezas del motor, especialmente el silenciador, se recalientan durante el funcionamiento. Deje que el motor y el silenciador se enfríen antes de tocarlos.

⚠ ¡ADVERTENCIA! - GUARDE ESTAS INSTRUCCIONES

Su responsabilidad: Restrinja el uso de esta máquina motorizada a las personas que lean, comprendan y respeten las advertencias e instrucciones que figuran en este manual y en la máquina.

Gracias

Gracias por comprar este producto. Se ha diseñado cuidadosamente para brindar excelente rendimiento si se opera y mantiene correctamente.

Por favor lea todo este manual antes de hacer funcionar el equipo. El manual le indica cómo configurar, operar y mantener la máquina de manera fácil y segura. Por favor asegúrese de que usted, y cualquier otra persona que utilice la máquina, siga atentamente y en todo momento las medidas de seguridad recomendadas. De lo contrario, se podrían producir lesiones personales o daños materiales.

Toda la información contenida en este manual hace referencia a la más reciente información de producto disponible en el momento de la impresión. Revise el manual frecuentemente para familiarizarse con la máquina, sus características y funcionamiento. Por favor tenga en cuenta que este Manual del Operador puede abarcar una variedad de especificaciones para productos de diversos modelos. Es posible que las características y funciones que se incluyen y/o ilustran en este manual no se apliquen a todos los modelos. Nos reservamos el derecho de modificar las

especificaciones de los productos, diseños y equipos sin previo aviso y sin generar responsabilidad por obligaciones de ningún tipo.

Si corresponde, los datos de prueba utilizados para determinar la potencia de salida del motor equipado en esta máquina se pueden consultar en www.opei.org o en el sitio web del fabricante del motor.

Si tiene algún problema o duda con respecto a esta máquina, llame a su distribuidor de servicio local autorizado o póngase en contacto directamente con nosotros. Queremos garantizar su entera satisfacción en todo momento.

En este manual, todas las referencias al lado *derecho e izquierdo* de la máquina se observan desde la posición del operador.

Contenido de la caja de cartón

<ul style="list-style-type: none"> • Quitanieves (1) • Conjunto del canal (1) • Varilla de control del canal, eje flexible o lateral • Conjunto de la varilla de la manivela† (1) • Pasadores de cuchilla de barrena de repuesto (2) • Llave de seguridad (2) 	<ul style="list-style-type: none"> • Manual del Operador de la Máquina Quitanieves (1) • Manual del Operador del motor (1) • Documento de Garantía/Piezas (1) • Piezas metálicas de la manija • Tornillo de carro largo* (2) • Tuerca de seguridad bridada† (2) 	<ul style="list-style-type: none"> • Kit de zapata antideslizante* • Tornillo de carro corto(4) • Arandela plana (4, si se necesitan) • Tuerca de seguridad bridada† (2)
---	---	--

* Si viene equipado

NOTA: Este Manual del Operador, corresponde a numerosos modelos. Las características técnicas pueden variar según los modelos. No todas las características técnicas que se incluyen en este manual se aplican a todos los modelos y la máquina que se ilustra aquí puede diferir de la suya. Consulte la Figura 2-11 en la que se muestran las diferentes versiones y controle con el contenido de la caja (eje flexible/varilla de control direccional y canal) a fin de identificar su unidad específica.

Información general

- Retire los materiales de embalaje de la máquina quitanieve.
- Gire la manija hasta la posición vertical. Consulte la sección Montaje de la manija.
- Instale el canal Consulte la sección Opciones de montaje del canal
- Complete el montaje de la máquina quitanieve según el modelo y el equipo. Consulte la sección Configuración.
- Si es necesario, realice los ajustes para asegurar el funcionamiento adecuado de la máquina quitanieve. Consulte la sección de ajustes.
- Agregue el combustible y el aceite. Consulte el Manual del Operador del motor que se envía junto con la máquina quitanieve.

Herramientas necesarias

- Llave ajustable o juego de llaves de vaso
- Pinzas de punta de aguja

Montaje de la manija

1. Realice una de las siguientes acciones:
 - Todas las unidades sin E-Z Chute™ (unidades equipadas con controles del canal): Continúe con Todas las unidades sin canal E-Z Chute™ en la página 5.
 - Todas las unidades equipadas con E-Z Chute™: Continúe con Unidades equipadas con canal E-Z Chute™ en la página 6.

Todas las unidades sin canal E-Z Chute™

1. Corte los precintos que sujetan la varilla de control del canal o la barra de control superior a la barra de control inferior (si corresponde), deje a un costado dicha varilla (si corresponde) y quite la envoltura de las barra de control (si corresponde).

NOTA: No corte el precinto que sujeta los cables al motor para las unidades equipadas.

NOTA: En las unidades con Control de canal superior (con eje flexible), control de canal de cuatro direcciones y control eléctrico de canal, corte los precintos que sujetan el eje flexible a la manija inferior y deje dicho eje a un costado. Quite las bandas elásticas que sujetan los cables a los tornillos de carro y corte el precinto que sujeta la varilla de cambios a la manija inferior. Consulte la Figura 2-11 para ayudar a identificar su unidad.

- Aflore las dos tuercas superiores (a) que fijan la manija superior e inferior y extraiga los dos tornillos del carro (b) de la manija superiores y póngalos aparte como se muestra en la Figura 2-1 o Figura 2-2 para unidades con soportes laterales.

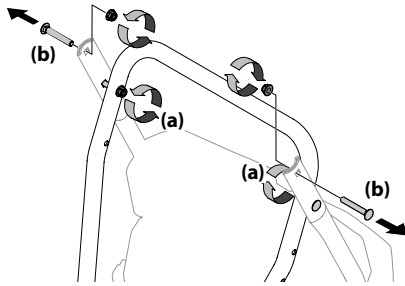


Figura 2-1

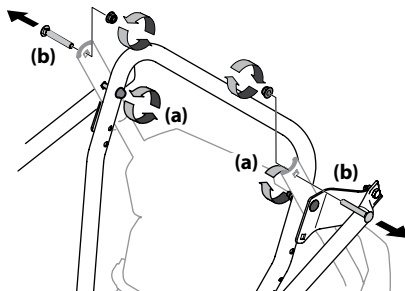


Figura 2-2

- Coloque la palanca de cambios en la posición de avance (F) 6 o en la velocidad más rápida hacia adelante (si viene equipada).
- Observe la parte posterior inferior de la unidad para corroborar que los cables (si se incluyeran) de la barra (a) y de la transmisión (b) estén alineados y apoyados correctamente en las guías de rodillos. Consulte la Figura 2-3.

NOTA: En algunos modelos, los cables pasan por debajo del motor del lado izquierdo y no utilizan guías de rodillos.

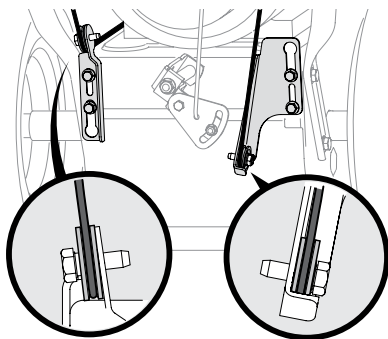


Figura 2-3

- Debe girar la barra de control hacia arriba y alinear la barra de control inferior. Consulte la Figura 2-4. Retire y descarte todas las bandas elásticas, si las hubiera. Únicamente se utilizan para el empaque.

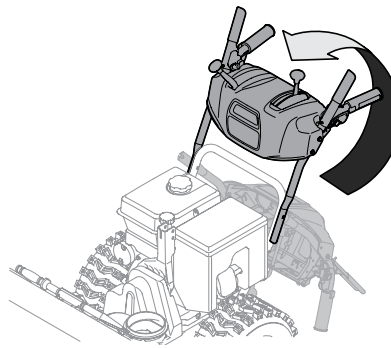


Figura 2-4

- NOTA:** En determinadas unidades con selectores de velocidad de varilla de acero, puede necesitar bajar la varilla de cambio hacia el costado ligeramente para maniobrar el panel de la manija sobre ella al girar la manija hacia arriba.
- Sujete los dos tornillos de carro (b) y las tuercas (a) que se extrajeron en el Paso 2. Termine de sujetar la barra de control, para lo que debe ajustar las dos tuercas superiores (c) que se aflojaron en el Paso 2. Para unidades con soportes laterales. Consulte la Figura 2-5 o la Figura 2-6 para unidades con soportes laterales.

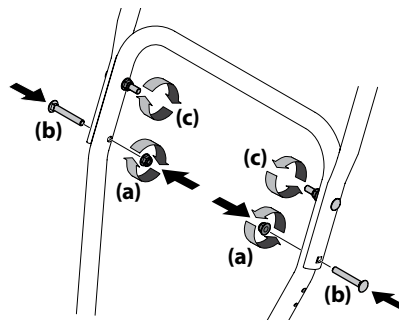


Figura 2-5

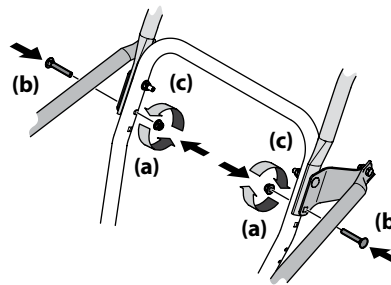


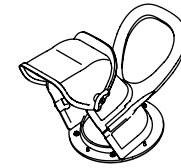
Figura 2-6

● STOP

Consulte la "Figura 2-11" on page 7 para identificar su estilo de canal y continúe con Opciones de Montaje del Canal (página 7).

Unidades equipadas con canal E-Z Chute™

NOTA: El canal E-Z Chute™ está identificado con una manija tipo lazo ubicada en la parte trasera del canal.



E-Z Chute
Conjunto del canal

- Extraiga la unión de cable (si la hay) que sujeta la barra de control superior a la barra inferior para el envío. Saque de las barras de control todos los envoltorios plásticos de protección.
- Aflore la perilla de aletas (a), la arandela cóncava (b), la lengüeta de la barra de control (c) y el tornillo de carro (d) que están a ambos lados de la barra de control inferior. Consulte la Figura 2-7.

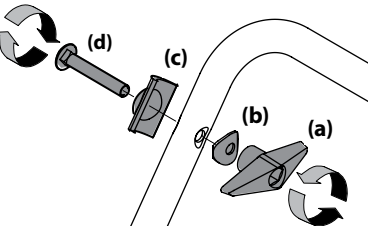


Figura 2-7

- Deslice uno de los precintos flojos (a) desde el lado derecho de la barra de control inferior (b) hasta el travesaño de dicha barra (c). Deje el segundo precinto en su sitio a la derecha de la barra de control inferior (b). Consulte la Figura 2-8.

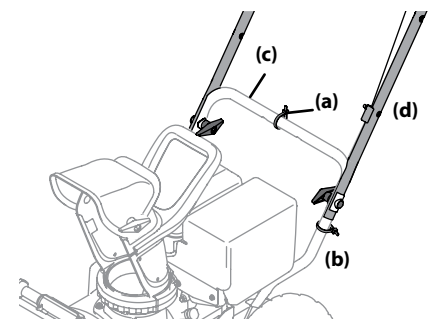


Figura 2-8

- IMPORTANTE:** Para evitar que se dañe el cable, resultará necesario levantar la barra de control superior (d) mientras se desliza este precinto hacia arriba.
- Eleve la barra de control superior (d) y ubíquela sobre la barra de control inferior (b), alineando los orificios de donde se retiraron las perillas de aletas. Consulte la Figura 2-8.

▲ PRECAUCIÓN

Tenga cuidado de no doblar ni torcer los cables.

5. Inserte un tornillo del carro (a) desde el exterior a través de una lengüeta de la barra de control (b), las barras de control superior (c) e inferior (d), una arandela cóncava (e), y al interior de la perilla de aletas (f). Repita lo mismo en el otro lado. Ajuste las perillas de aletas (f) a cada lado de la barra de control. Consulte la Figura 2-9.

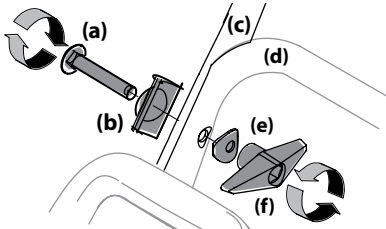


Figura 2-9

NOTA: El recorrido del cable de la barra (a) pasa por debajo de la barra de control inferior izquierda y el cable de transmisión (b) pasa a través de la parte superior de la barra de control inferior y por debajo del lado derecho de la misma. Consulte la Figura 2-10.

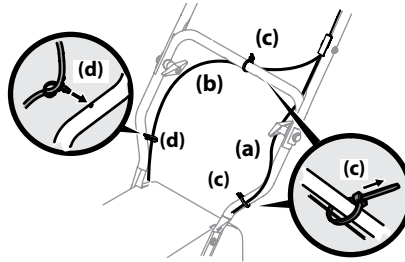


Figura 2-10

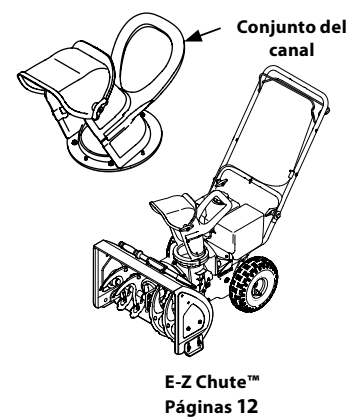
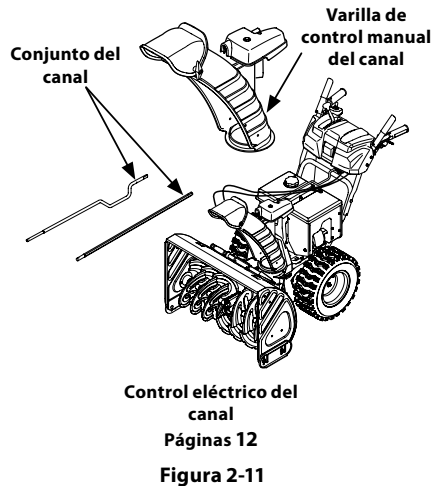
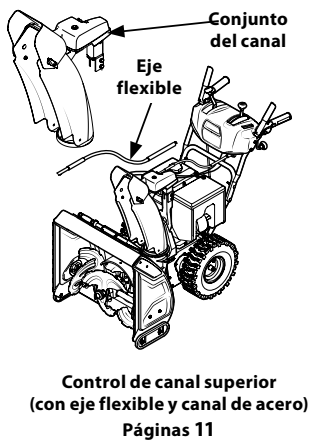
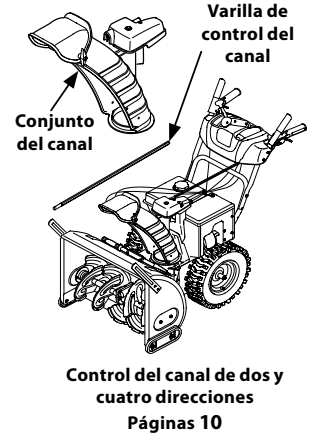
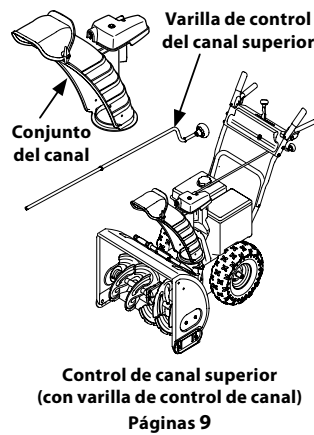
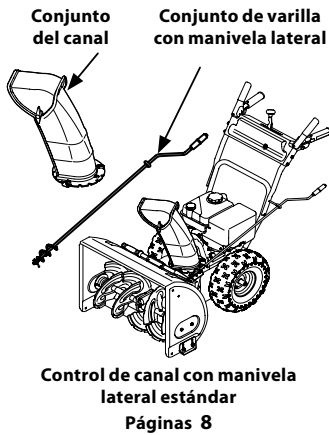
6. Se utilizaron dos precintos (c) para sujetar los cables de control a la barra de control inferior sin ajustarlos, incluido el precinto (c) que se reubicó en el paso 3. También se incluye un sujetador de empuje (d) en el cable de transmisión inferior (b). Ubique ahora los precintos (c), como en la Figura 2-10, y ajuste para sujetar los cables (a y b) a la barra de control inferior. Recorte el material excedente de los precintos (c). Si aún no se colocó, empuje el sujetador (d) del cable de transmisión (b) dentro del orificio en la barra de control suministrada como se indica en el recuadro izquierdo.

● STOP

Consulte la Figura 2-11 y prosiga hasta el estilo de control del canal que corresponde al suyo en las página 7.

Opciones del Conjunto de Canal

Refer to Figura 2-11 y prosiga hasta el estilo de control del canal que corresponde al suyo en las páginas 8-12.



Control de canal con manivela lateral estándar

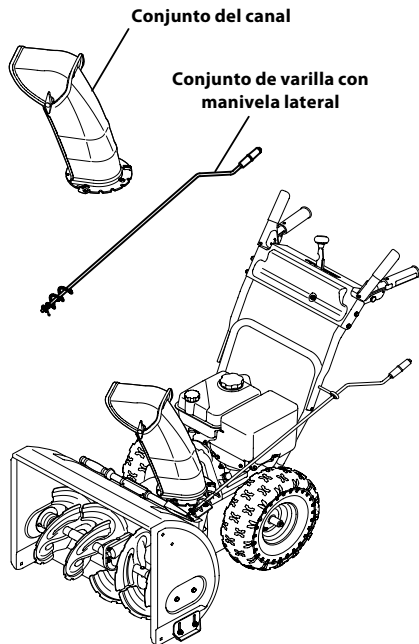


Figura 2-12

1. Ubique el conjunto del canal sobre la base. Consulte Figura 2-13.

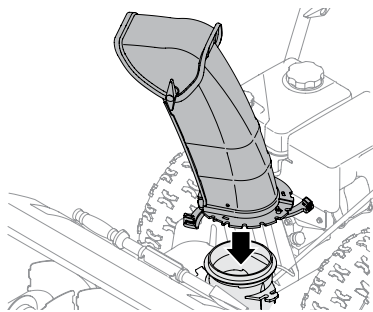


Figura 2-13

2. Cierre los fijadores de brida para sujetar el conjunto del canal a la base del canal. Los fijadores de brida emiten un chasquido cuando están bien asegurados. Consulte Figura 2-14.

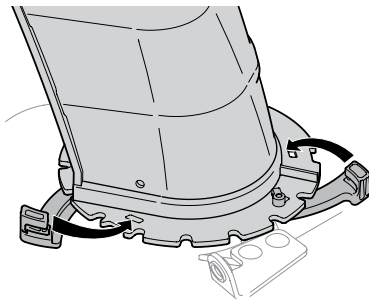


Figura 2-14

NOTA: Compruebe que el canal inferior esté sujeto a la brida en la base del canal. El borde inferior de la abrazadera del canal debe ubicarse debajo de la brida en la base del canal después de que encaje en su lugar. Si los fijadores de brida no encajan en su lugar fácilmente, utilice la palma de la mano para aplicar una presión rápida y firme en la parte posterior de cada uno.

3. Quite la tapa plástica (si está puesta), la arandela plana (a) y el sujetador de horquilla (b) del extremo del conjunto del control direccional del canal. Consulte Figura 2-15.

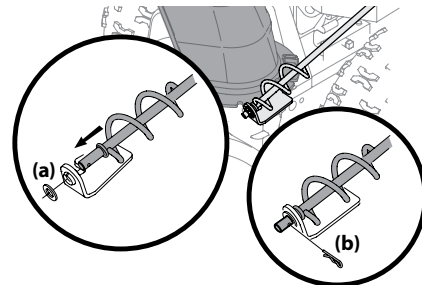


Figura 2-15

4. Inserte el extremo del conjunto del control direccional del canal en el soporte inferior y sujete el conjunto de control direccional del canal con la arandela plana (a) y el sujetador de horquilla (b) que extrajo en el Paso 1. Si es necesario, se puede ajustar el soporte inferior. Consulte Ajuste del soporte del canal en la sección Servicio de la página 24.

● DETENCIÓN

Continúe hasta Configuración (página 13).

Control de canal superior (con varilla de control de canal)

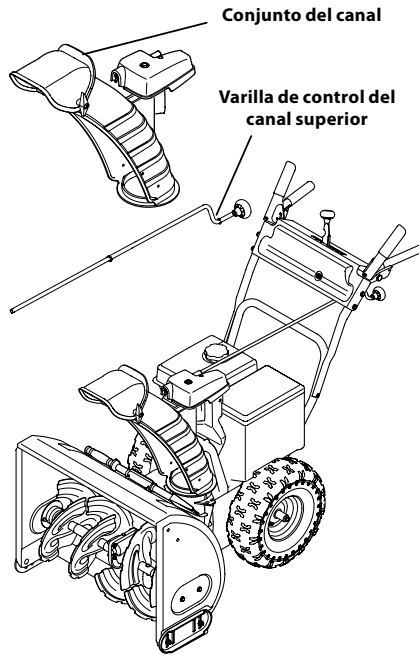


Figura 2-16

1. Retire la tuerca de mariposa (a) y el tornillo hexagonal (b) del cabezal de control del canal, y el pasador de control del canal (c) y el pasador de chaveta (d) de la ménsula de soporte del canal. Ubique el conjunto del canal (mirando hacia adelante) sobre la base del canal. Consulte Figura 2-17.

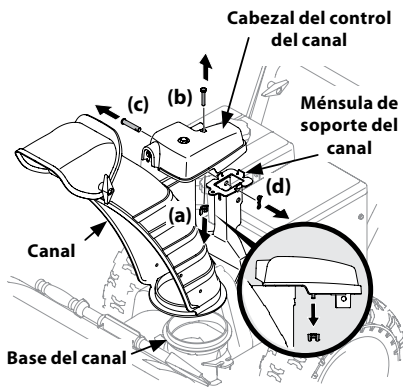


Figura 2-17

2. Ubique el conjunto del canal sobre la base del mismo y sujete el cabezal de control del canal a la ménsula de soporte del canal mediante el pasador de horquilla (c) y el pasador de chaveta (d) que extrajo en el Paso 1. Consulte Figura 2-18.

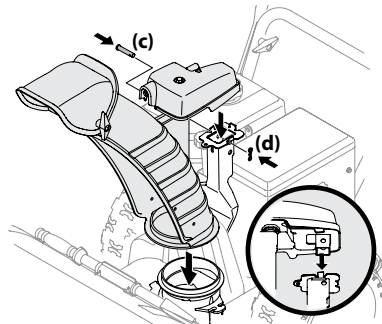


Figura 2-18

3. Termine de sujetar el cabezal de control del canal a la ménsula de soporte del canal con la tuerca de mariposa (a) y el tornillo hexagonal (b) que extrajo en el Paso 1. Consulte Figura 2-19.

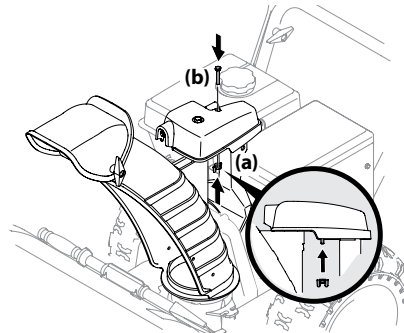


Figura 2-19

4. Inserte la varilla de control del canal en la ménsula de soporte que está en la parte posterior del tablero de instrumentos. Consulte Figura 2-20.

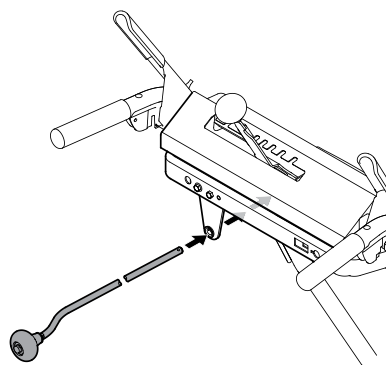


Figura 2-20

5. Retire el sujetador de horquilla (a) de la parte posterior del cabezal de control del canal. Consulte Figura 2-21.

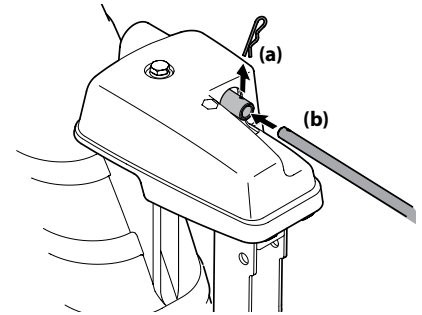


Figura 2-21

6. Inserte la varilla de control del canal (b) en la parte posterior del cabezal de control del canal. Consulte Figura 2-21. Sujete la varilla de control del canal al conjunto del control del canal con el sujetador de horquilla (a) que extrajo en el Paso 5.

● DETENCIÓN

Continúe hasta Configuración (página 13).

Control del canal de dos y cuatro direcciones

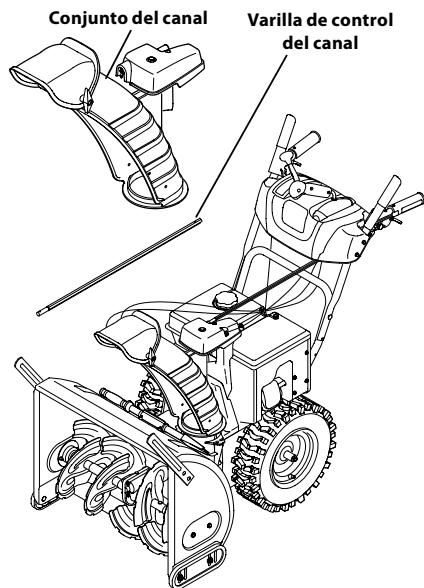


Figura 2-22

1. Retire el sujetador de horquilla (a), la tuerca de mariposa (b) y el tornillo hexagonal (c) del cabezal de control del canal, y el pasador de horquilla (d) y el pasador de chaveta con unión curva (e) de la ménsula de soporte del canal. Consulte Figura 2-23.

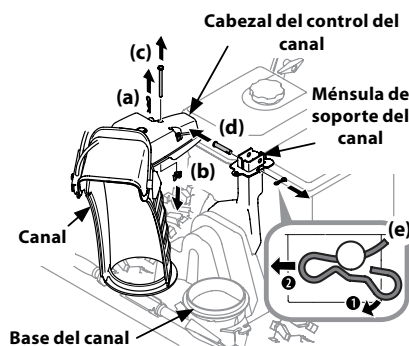


Figura 2-23

NOTA: Para lograr el mejor funcionamiento, todos los cables se deben dejar a la izquierda de la varilla de control direccional del canal.

2. Inserte la varilla de control del canal dentro del cabezal de control del canal. Empuje la varilla tan lejos dentro del cabezal de control del canal como sea posible, manteniendo los orificios en la varilla orientados hacia arriba. Consulte Figura 2-24.

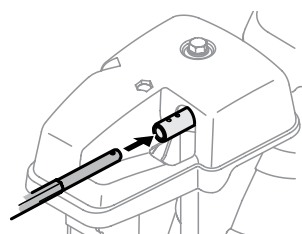


Figura 2-24

3. Coloque el canal sobre la base del canal y asegúrese de que la varilla de control del canal se encuentre debajo del panel de la manija. Coloque el tornillo hexagonal (c) que extrajo en el Paso 1 pero no lo sujete con la tuerca de mariposa en este momento. Consulte Figura 2-25.

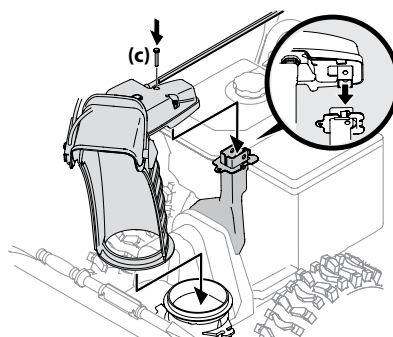


Figura 2-25

4. Apriete el disparador de la palanca de control y gire el canal manualmente para que mire hacia adelante. Los orificios en la entrada del control del canal estarán mirando hacia arriba. Consulte Figura 2-26.

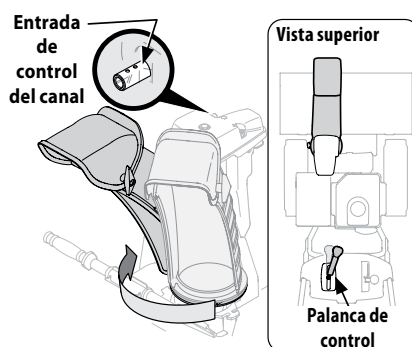


Figura 2-26

NOTA: El canal no girará sin que se haya apretado el disparador en la palanca de control.

5. Gire la palanca de control hasta la posición de la 1 en punto de manera que la flecha indicadora plateada del engranaje del piñón que está debajo del tablero de control quede orientada hacia arriba. Consulte Figura 2-27.

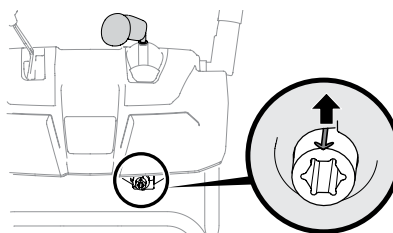


Figura 2-27

6. Inserte la varilla de control del canal dentro del engranaje del piñón por debajo de la palanca de control. Asegúrese de alinear el orificio en la varilla hexagonal con la flecha en el engranaje del piñón. Consulte Figura 2-28.

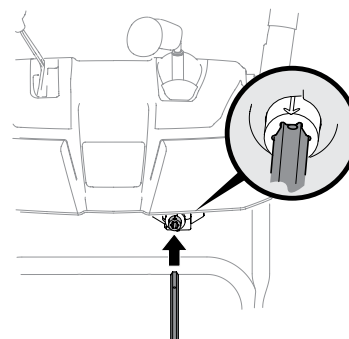


Figura 2-28

NOTA: La varilla de control del canal encajará justo en el engranaje del piñón. Sostenga la parte posterior del panel de instrumentos con una mano mientras inserta la varilla con la otra mano para asegurar que la varilla se inserte **completamente** dentro del engranaje del piñón.

NOTA: El orificio de la varilla de control direccional del canal es una referencia para alinear la varilla con la flecha indicadora del engranaje del piñón y quedará a la vista después de haber insertado la varilla.

7. Empuje la varilla de control del canal hacia el tablero de control hasta que el orificio de la varilla quede alineado con el de la entrada del control del canal que esté más cerca del cabezal de control del canal, e inserte el sujetador de horquilla (a) que extrajo en el Paso 1. Consulte Figura 2-29.

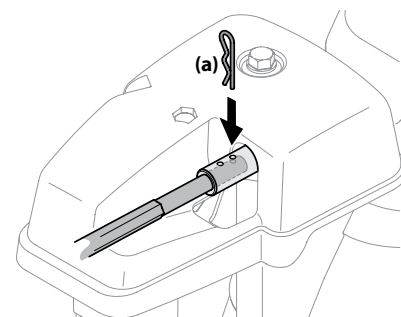


Figura 2-29

NOTA: El segundo orificio se utiliza para insertar más la varilla de control del canal en el engranaje del piñón si resulta necesario. Consulte la sección Servicio para lo referente a Ajustes de la Varilla de Control del Canal.

8. Termine de sujetar el cabezal de control del canal a la ménsula de soporte del canal con la tuerca de mariposa (b), el pasador de horquilla (d) y el pasador de chaveta con unión curva (e) que extrajo en el Paso 1.

● DETENCIÓN

Continúe hasta Configuración (página 13).

Control de canal superior (con eje flexible y canal de acero)

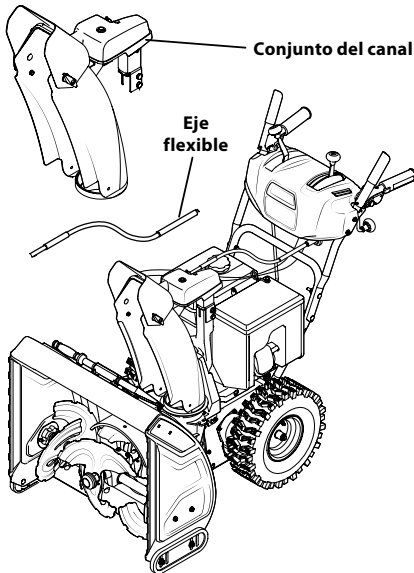


Figura 2-30

1. Extraiga las tuercas de seguridad (a) y los tornillos hexagonales (b) de la ménsula de soporte del canal (para lo que se requerirán dos llaves). Consulte Figura 2-31.

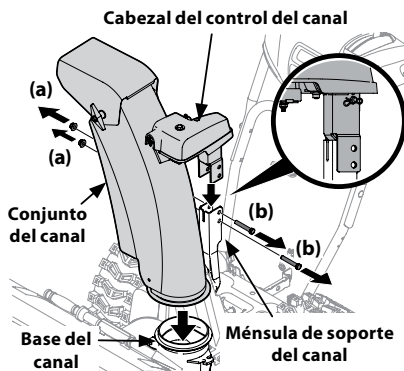


Figura 2-31

2. Ubique el conjunto del canal sobre la base del canal y el cabezal de control del canal sobre la ménsula de soporte del canal. Consulte Figura 2-31.
3. Sujete el cabezal de control del canal a la ménsula de soporte del canal con las tuercas de seguridad (a) y los tornillos hexagonales (b) que extrajo en el Paso 1. Consulte Figura 2-32.

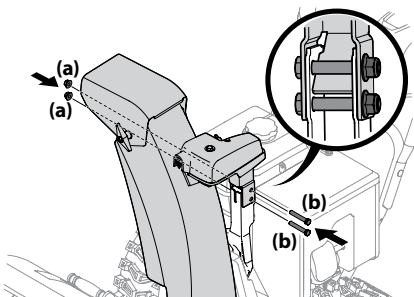


Figura 2-32

NOTA: Para lograr el mejor funcionamiento, todos los cables se deben dejar a la izquierda de la varilla de control direccional del canal.

4. Retire el sujetador de horquilla (a) de la parte posterior del conjunto del control del canal. Consulte Figura 2-33.

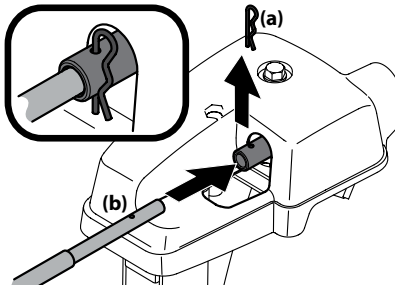


Figura 2-33

5. Inserte el eje flexible (b) que se extrajo de la manija inferior durante el Montaje de la manija, en la parte posterior del cabezal de control direccional del canal. Consulte Figura 2-33. Secure flex shaft to chute control head with hairpin clip (a) removed in Step 4.
6. Realice una de las siguiente acciones para conectar el eje flexible con el acoplamiento de la varilla de control del canal:
 - Unidades con control del canal con manivela - Inserte el extremo hexagonal del eje flexible en el acoplamiento de la varilla de control del canal que está debajo del tablero de instrumentos. Consulte Figura 2-34.

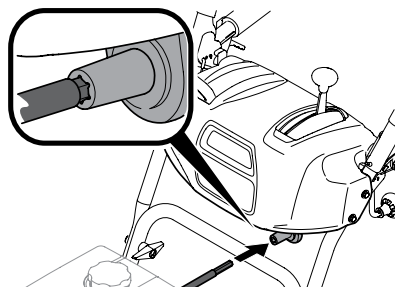


Figura 2-34

- Unidades con control del canal eléctrico - Inserte el otro extremo del eje flexible en el acoplamiento de la varilla de control del canal que está debajo del tablero de instrumentos. Asegúrese de alinear el extremo plano de la varilla y el extremo plano del acoplador. Puede ser necesario girar la varilla hasta que se alineen estas dos superficies. Consulte el recuadro Figura 2-35.

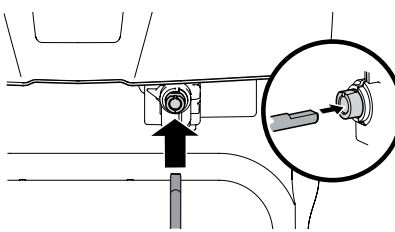


Figura 2-35

7. Asegúrese de que el selector de velocidad esté en la velocidad más rápida de marcha adelante.
8. Extraiga el pasador de chaveta (a) y la arandela (b) de la férula que está en el extremo de la varilla de cambio. Consulte el recuadro Figura 2-36.

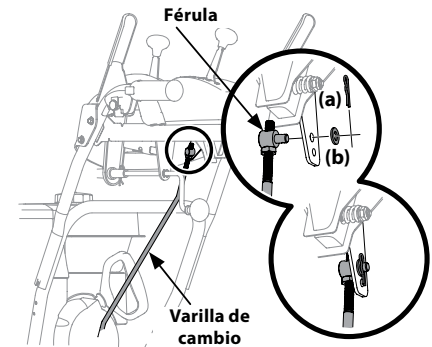


Figura 2-36

9. Asegúrese de que la palanca de cambios que está en la parte posterior de la transmisión esté girada hacia abajo al máximo. Consulte la Figura 2-37, Detalle "A" para los modelos sin transmisión hidrostática o el Detalle "B" para los modelos con transmisión hidrostática.

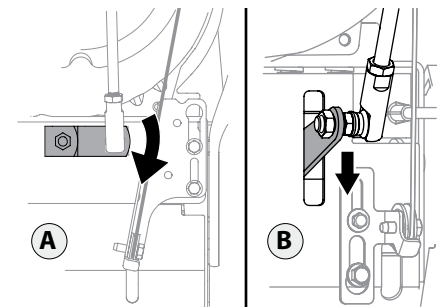


Figura 2-37

10. Inserte la férula en el orificio superior de la palanca de cambios y asegúrela con pasador de chaveta (a) y arandela (b) que quitó en el Paso 8. Consulte la Figura 2-36. Es posible que deba ajustar la férula hacia arriba o abajo.

● DETENCIÓN

Continúe hasta Configuración (página 13).

Control eléctrico del canal

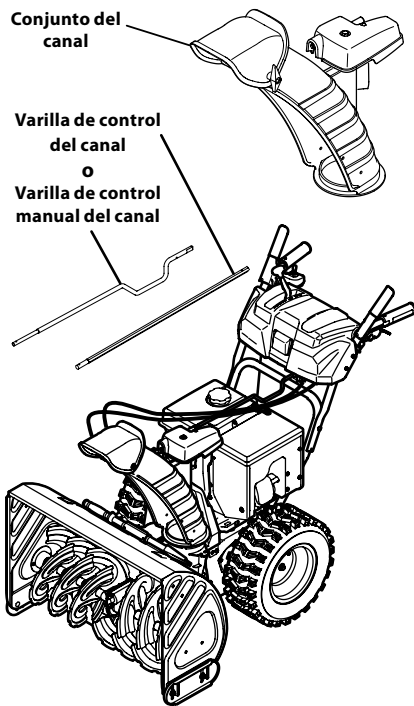


Figura 2-38

1. Retire el pasador de chaveta (a), la tuerca de mariposa (b) y el tornillo hexagonal (c) del cabezal de control del canal. Extraiga el pasador de horquilla (d) y el pasador de chaveta con unión curva (e) de la ménsula de soporte del canal. Consulte Figura 2-39.

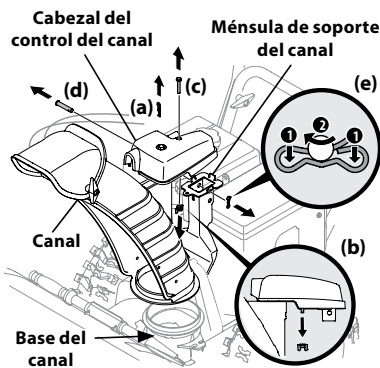


Figura 2-39

NOTA: Para lograr el mejor funcionamiento, todos los cables se deben dejar a la izquierda de la varilla de control direccional del canal.

2. Inserte el extremo redondeado de la varilla de control del canal en el cabezal de control del canal. Empuje la varilla tan lejos dentro del cabezal de control del canal como sea posible, manteniendo los orificios en la varilla orientados hacia arriba. Consulte Figura 2-40.

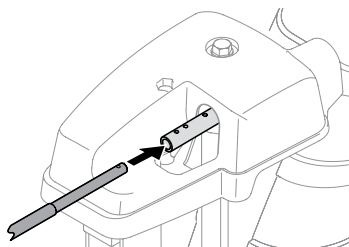


Figura 2-40

3. Coloque el canal sobre la base del canal y asegúrese de que la varilla de control del canal se encuentre debajo del panel de la manija. Sujete el cabezal de control del canal a la ménsula de soporte del canal con el pasador de horquilla (d) y el pasador de chaveta con unión curva (e) que extrajo en el Paso 1. Consulte Figura 2-41.

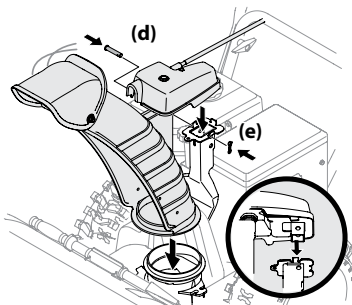


Figura 2-41

4. Termine de sujetar el cabezal de control del canal colocando el tornillo hexagonal (c) y la tuerca de mariposa (b) que extrajo en el Paso 1. Consulte Figura 2-42.

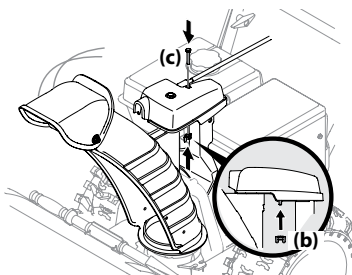


Figura 2-42

5. Inserte el otro extremo de la varilla de control del canal en el acoplador que se encuentra debajo del panel de la manija. Asegúrese de alinear el extremo plano de la varilla y el extremo plano del acoplador. Puede ser necesario girar la varilla hasta que se alineen estas dos superficies. Consulte el recuadro Figura 2-43.

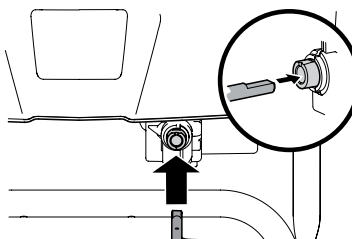


Figura 2-43

6. Oprima la varilla de control del canal hacia el panel de control hasta que el orificio de la varilla quede alineado con el orificio del medio de la entrada del control del canal e inserte el pasador de chaveta (a) que extrajo en el Paso 1. Consulte Figura 2-44.

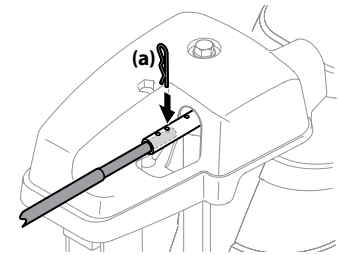


Figura 2-44

NOTA: Existe un orificio de referencia en el extremo posterior de la varilla de control que ayuda a saber cuándo los orificios están verticales.

NOTA: El orificio más alejado del cabezal de control del canal se utiliza para insertar más la varilla de control del canal en el acoplador si resulta necesario. Consulte la sección Servicio para lo referente a Ajustes de la Varilla de Control del Canal en la página 24.

NOTA: El orificio que está más cerca del cabezal de control del canal se usa para el movimiento manual del conjunto del canal si es necesario. Consulte la sección Controles y funcionamiento en la página 20.

● DETENCIÓN

Continúe hasta Configuración (página 13).

E-Z Chute Control™

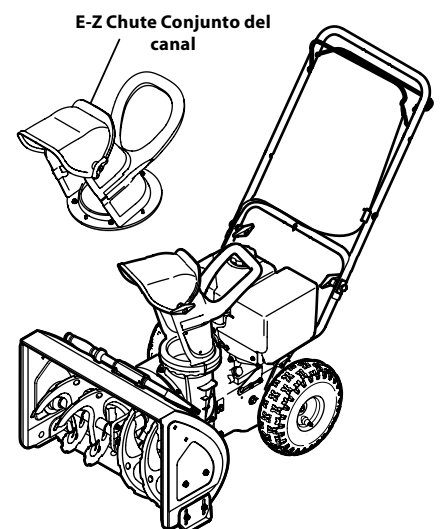


Figura 2-45

Para el canal E-Z Chute™ no se requiere ningún tipo de instalación.

● DETENCIÓN

Continúe hasta Configuración (página 13).

Configuración

Enrutamiento de Cable de Control de Canal (si se incluyera)

Para unidades equipadas con palanca de control de canal de 2 o 4 vías, control eléctrico de canal y/o controles de inclinación de canal, verifique que los cables estén correctamente tendidos.

Los cables de control de canal corren por una guía de único cable (a) por encima del motor o por guías de dos cables (b) situadas del lado izquierdo de la unidad.

NOTA: En las unidades equipadas con una unión de cables que sujeta los cables a la parte posterior del tanque de gasolina, tire de los cables hacia el canal y tire de unión de cables para ajustarlos en su lugar.

NOTA: Para lograr el mejor funcionamiento, todos los cables se deben dejar a la izquierda de la varilla de control direccional del canal.

NOTA: La cantidad de cables tendidos por las guías de cables dependerá del modelo de la unidad.

1. Localice la(s) guías de cables y siga los siguientes pasos:
 - Unidades con Guía de Cables de Montaje Superior (a) – Verifique que todos los cables estén correctamente tendidos por la guía de cables por encima del motor. Consulte la Figura 2-46.
 - Unidades con Guías de Cables de Montaje Lateral (b) – Verifique que todos los cables estén correctamente tendidos por debajo del lado izquierdo del motor y la guía de cables por debajo del cabezal de control de canal. Consulte la Figura 2-46.

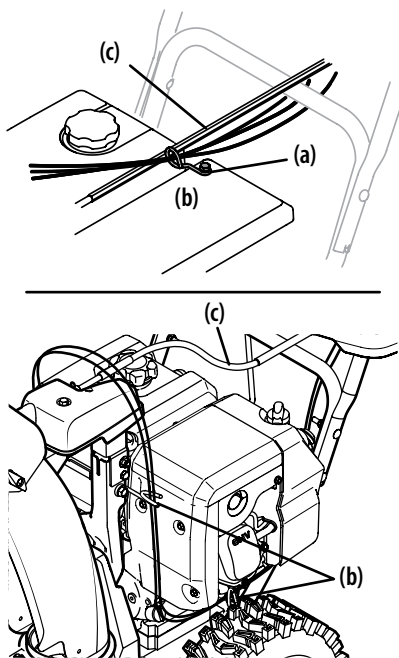


Figura 2-46

Almacenamiento de los pasadores de cuchilla (si vienen equipados)

En determinadas unidades, se incluyen orificios en la parte posterior del panel de la manija para guardar el pasador de cuchilla (a) y el pasador de chaveta con unión curva (b) como se indica en la Figura 2-47. Si no se incluyen, asegúrese de guardarlos en un lugar seguro hasta que sean necesarios.

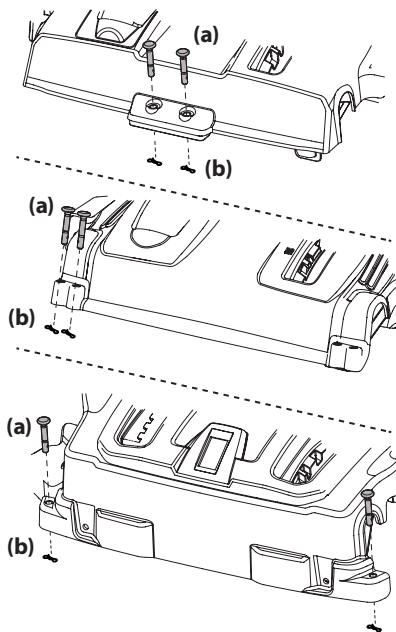


Figura 2-47

Cortadores de desplazamiento de nieve (si vienen equipados)

Los cortadores de desplazamiento de nieve se instalan invertidos en la fábrica para los fines del transporte.

Estándar

1. Retire los dos tornillos (a) y las tuercas de seguridad (b) que sujetan cada cortador de desplazamiento de nieve y retírelos de los lados de la caja de la barrena. Consulte Figura 2-48.

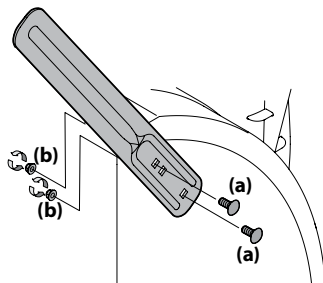


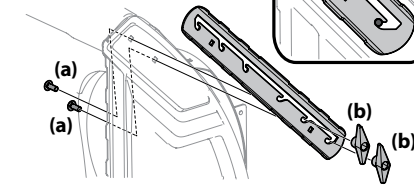
Figura 2-48

2. Gire los cortadores de desplazamiento de nieve y ubíquelos como se muestra en la Figura 2-48 hacia el exterior de la caja de la barrena.
3. Sujete los cortadores de desplazamiento de nieve con los tornillos (a) y las tuercas de seguridad (b) que extrajo en el Paso 1.

Sin herramientas

1. Retire los dos pernos de carro (a) y las tuercas de mariposa (b) que sujetan cada cortador de desplazamiento de nieve y retírelos de los lados de la caja de la barrena. Consulte Figura 2-49.

Cortador de desplazamiento de nieve ajustable sin herramientas



Cortador de desplazamiento de nieve no ajustable sin herramientas

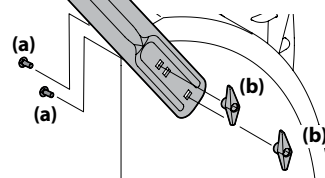


Figura 2-49

2. Gire los cortadores de desplazamiento de nieve y ubíquelos como se muestra en la Figura 2-49 hacia el exterior de la caja de la barrena.
3. Sujete los cortadores de desplazamiento de nieve con los pernos de carro (a) y las tuercas de mariposa (b) que extrajo en el Paso 1.

Zapatas antideslizantes (si se aplican)

Los modelos seleccionados requieren la instalación de las zapatas antideslizantes suministradas.

1. Use los dos pernos de carro (a) y las tuercas de brida hexagonales (b) y las arandelas planas (c) (si están equipadas) para ajustar la zapata antideslizante a la caja de la barrena (d). Ajuste a mano las tuercas hexagonales con reborde. Consulte la Figura 2-50.
2. Ajuste la zapata antideslizante para brindar una separación mínima de 1/8 de pulgada entre la placa de raspado (e) y el suelo. Ajuste bien las tuercas hexagonales con reborde.
3. Repita el Paso 1 para instalar la zapata antideslizante restante.
4. Si es necesario, consulte la sección Zapatas antideslizantes, en la página 14.

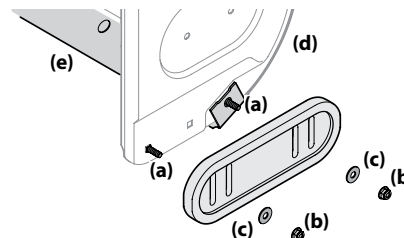


Figura 2-50

Herramienta de limpieza del canal

La herramienta de limpieza del canal viene sujeta de fábrica a la parte superior de la caja de la barrena con un pasador de ensamblado y un precinto. Corte el precinto antes de operar la unidad. Consulte Figura 2-51.

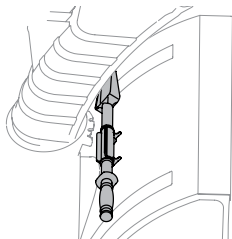


Figura 2-51

Presión de los neumáticos (Si es aplicable)

NOTA: No se aplica a las unidades equipadas con neumáticos sin aire.

⚠ ¡ADVERTENCIA!

Bajo ninguna circunstancia supere la presión en psi recomendada por el fabricante. Se debe mantener una presión uniforme para todos los neumáticos en todo momento. Una presión excesiva al pisar un reborde puede causar que el montaje de neumático / llanta explote con una fuerza suficiente como para causar lesiones graves. Consulte cuál es la presión recomendada en los laterales de los neumáticos.

Los neumáticos se embarcan con exceso de aire. Controle la presión de los neumáticos antes de operar la unidad. Consulte los laterales de los neumáticos para conocer la presión en psi recomendada por el fabricante y desinfe (o infle) los mismos según sea necesario.

NOTA: Se debe mantener la misma presión de los neumáticos en todo momento para fines de buen funcionamiento.

Ajustes

Conjunto del canal

NOTA: Para modelos con Control Direccional de Canal Eléctrico de 2 vías/4 vías y/o modelos con controles de inclinación de canal, consulte Controles y Operación en la página 19-20.

En unidades con inclinación manual de canal, incluida la E-Z Chute™, la distancia a la cual se arroja la nieve puede ajustarse cambiando el ángulo del montaje del canal. Para hacerlo:

1. Afloje la perilla de aletas que está en el costado izquierdo del conjunto del canal. Consulte Figura 2-52.

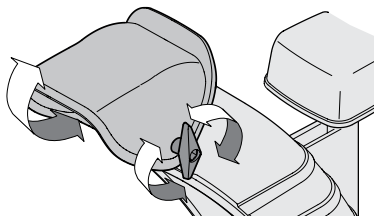


Figura 2-52

2. Gire el canal hacia arriba o hacia abajo antes de volver a ajustar la perilla de aletas.

Cortadores de desplazamiento de nieve (si vienen equipados)

Los cortadores de desplazamiento de nieve se instalan invertidos en la fábrica para los fines del transporte.

1. Afloje los dos pernos de carro (a) y las dos tuercas de mariposa (b) que sujetan cada cortador de desplazamiento de nieve ubicados a los lados de la caja de la barrena. Consulte la Figura 2-53.

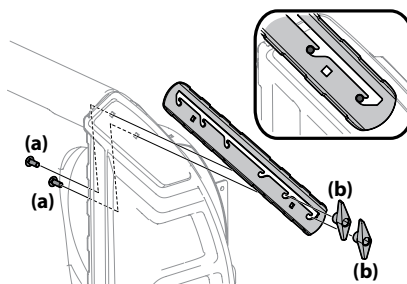


Figura 2-53

2. Deslice los cortadores de desplazamiento hasta la altura deseada.
3. Ajuste bien dos pernos de carro y las dos tuercas de mariposa que sujetan cada cortador de desplazamiento de nieve ubicados a los lados de la caja de la barrena.

Zapatas antideslizantes

Las zapatas antideslizantes de la máquina quitanieves se ajustan en la fábrica aproximadamente 1/8" por debajo de la placa de raspado. Si lo desea, puede ajustarlas hacia abajo antes de hacer funcionar la máquina quitanieves.

⚠ ¡ADVERTENCIA!

Proceda con extrema precaución al operar sobre grava y ajuste la altura de la caja de la barrena para limpiar la grava o las superficies con piedras trituradas a fin de evitar que las recoja y las arroje.

- Si desea quitar nieve al ras en una superficie lisa, eleve más las zapatas antideslizantes en la caja de la barrena.
- Use una posición más baja cuando la superficie que desee limpiar sea despareja, como un camino de grava.

NOTA: Si tiene que usar la unidad sobre grava, mantenga las zapatas antideslizantes en la posición que permita lograr una separación máxima entre el piso y la placa de raspado.

Para ajustar las zapatas antideslizantes:

1. Afloje las cuatro tuercas hexagonales (a) (dos en cada lado) y los pernos del carro (b). Mueva las zapatas antideslizantes a la posición deseada. Consulte Figura 2-54.

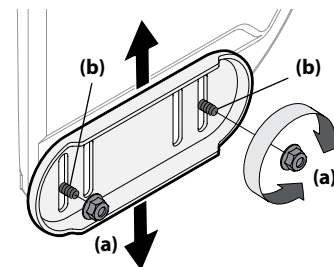


Figura 2-54

NOTA: Las zapatas antideslizantes de su unidad pueden verse ligeramente diferentes (y tener hardware diferente) que los que se muestran en la Figura 2-54.

2. Compruebe que toda la superficie inferior de las zapatas antideslizantes esté contra el suelo para evitar el desgaste desparejo de las mismas.
3. Vuelva a ajustar las tuercas hexagonales (a) y los pernos de carro (b) para que queden bien ajustados.

Placa de raspado

NOTA: este procedimiento aplica únicamente a unidades equipadas con placas de raspado regulables.

Para ajustar la placa de raspado:

1. Si hay combustible en el motor, deje el motor en marcha hasta que se acabe el combustible. No intente verter combustible del motor.
2. Gire con cuidado la unidad hacia arriba y hacia adelante de manera que quede apoyada sobre la caja de la barrena.
3. Afloje los pernos posteriores de las zapatas antideslizantes (a) a ambos lados de la caja del equipo y extraiga los pernos de carro (b) y las tuercas hexagonales (c) que sujetan la placa de raspado (d) a la caja de la barrena. Vea la Figura 2-55.

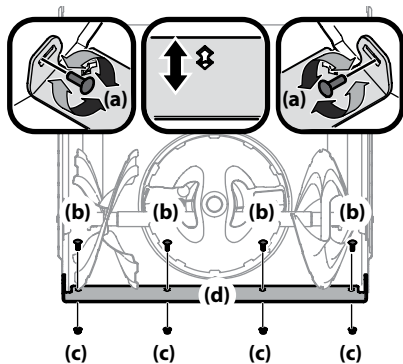


Figura 2-55

NOTA: Se muestra una unidad de 3 etapas.

4. Regule la placa de raspada en una de las 2 posiciones de montaje. Vuelva a instalar y apriete bien los pernos de carro (a) y tuercas hexagonales (c). Consulte la Figura 2-55.
5. Ajuste las zapatas antideslizantes. Consulte las zapatas antideslizantes en la página 14.

Palanca de control de la barrena

⚠ ¡ADVERTENCIA!

Antes de operar la unidad, lea atentamente y cumpla todas las instrucciones que aparecen a continuación. Realice todos los ajustes para verificar que el equipo está operando con seguridad y correctamente.

CONSULTE la sección Controles y funcionamiento (página 16) para conocer la ubicación de la palanca de control de la barrena y controle el ajuste de la siguiente manera:

1. Cuando se suelta la palanca de control de la barrena y está en posición desengranada "UP" (arriba), el cable debe tener muy poco juego. NO debe estar tenso.
2. En un área bien ventilada, arranque el motor de la máquina quitanieves. Consulte el manual del operador del motor.

3. Parado en la posición del operador (detrás de la unidad), oprima la palanca de control de la barrena para engranar esta última.
4. Deje la barrena engranada durante aproximadamente diez (10) segundos antes de soltar la palanca de control de la misma. Repita esta operación varias veces.
5. Con la palanca de control de la barrena en la posición desengranada "hacia arriba", camine hacia el frente de la máquina.
6. Confirme que la barrena ha dejado de girar por completo y no muestra NINGÚN signo de movimiento. Si la barrena muestra CUALQUIER signo de rotación, vuelva a la posición del operador y apague el motor inmediatamente. Espere a que TODAS las piezas móviles se detengan antes de volver a ajustar la palanca de control de la barrena.
7. Para volver a ajustar el cable de control de la barrena, afloje el tornillo hexagonal superior (a) en todas las unidades excepto en la unidad E-Z Chute™, soporte de control de la barrena. Consulte la Figura 2-56.

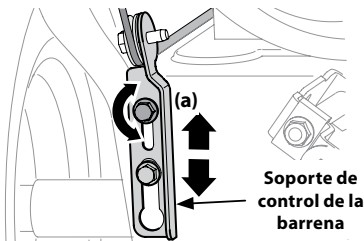


Figura 2-56

8. En los modelos E-Z Chute™, afloje el tornillo hexagonal posterior del soporte de control de la barrena. Consulte la Figura 2-57.

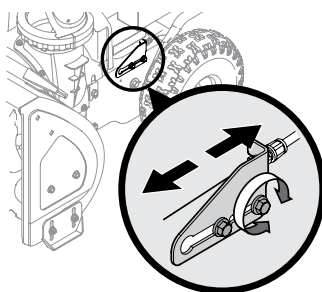


Figura 2-57

9. Ubique el soporte hacia arriba en todas las unidades excepto la E-Z Chute™, empuje el soporte de ajuste hacia adelante en esas unidades para dar más holgura (o hacia abajo/atrás para incrementar la tensión del cable). Consulte la Figura 2-56 o la Figura 2-57 según cuál sea su unidad.
10. Vuelva a apretar el tornillo hexagonal superior (a).
11. Repita los pasos del 1 al 6 anteriores para verificar que se haya logrado el ajuste adecuado.

Cable de cambios (si viene equipado)

Si no se puede lograr la gama completa de velocidades (marcha adelante y atrás), ajuste el cable de cambios de la siguiente manera:

1. Coloque la palanca de cambios en la posición más rápida de marcha adelante.
2. Eleve la ménsula divisora del cable de cambios (a) para que el cable quede flojo (b). Consulte la Figura 2-58.

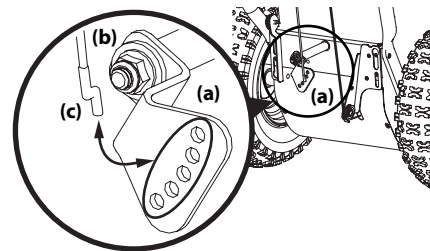


Figura 2-58

3. Desconecte el accesorio Z (c) de la ménsula divisora.
4. Seleccione un nuevo orificio de montaje y vuelva a insertar el accesorio Z en la ménsula divisora. Si se utilizan los orificios de montaje superior, se aflojará el cable de cambios. Si se utilizan los orificios de montaje inferior, se ajustará el cable de cambios.
5. Vuelva a insertar el accesorio Z en la ménsula divisora.
6. Para asegurar la correcta tensión del cable de cambios, realice lo siguiente:
 - a. Ponga en marcha el motor y coloque la palanca de cambios en la velocidad de avance más lenta. Utilice el control de la transmisión para asegurarse de que la unidad se desplace hacia adelante.
 - b. Coloque la palanca de cambios en la velocidad de marcha atrás más lenta. Utilice el control de la transmisión para asegurarse de que la unidad se desplace marcha atrás.
 - c. Si es necesario, ajuste el cable hasta que se cumplan las condiciones detalladas en los pasos a y b.

Varilla de cambios (si viene equipada)

Si no se puede lograr la gama completa de velocidades (marcha adelante y atrás), ajuste la varilla de cambios de la siguiente manera:

1. Coloque la palanca de cambios en la posición más rápida de marcha adelante.
2. Extraiga el pasador de chaveta (a) y la arandela (b) de la férula de ajuste de la varilla de cambios y extráigala de la palanca de cambios. Consulte la Figura 2-59.

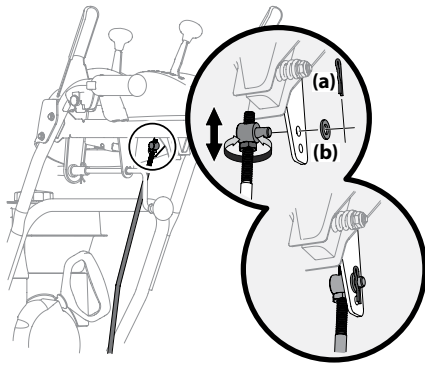


Figura 2-59

3. Asegúrese de que la palanca de cambios de la parte trasera de la transmisión esté girada hacia abajo hasta el máximo de rotación posible. Consulte la Figura 2-60, Detalle "A" para los modelos sin transmisión hidrostática o el Detalle "B" para los modelos con transmisión hidrostática.

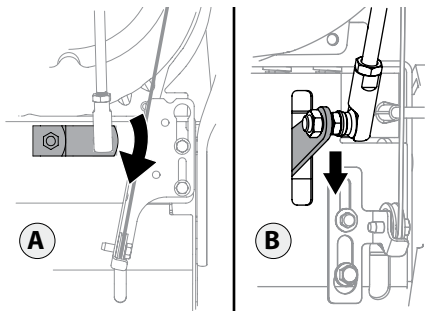


Figura 2-60

4. Gire la férula hacia arriba o hacia abajo en la varilla de cambios según sea necesario hasta que quede alineada con el orificio superior de la palanca de cambios. Consulte el recuadro de la Figura 2-59 inset.
5. Inserte la férula en el orificio superior y fíjela con la arandela y el pasador de chaveta..

Palanca de control de la transmisión (Modelos sin transmisión hidrostática) (si se incluyera)

NOTA: El control de transmisión en el caso de unidades con E-Z Chute™ no es regulable.

Cuando se suelta la palanca de control de la transmisión y está en posición desactivada "UP" (arriba), el cable debe tener muy poco juego. NO debe estar tenso.

NOTA: Si el cable de la transmisión tiene demasiado juego o si la transmisión de la unidad se desactiva intermitentemente durante el funcionamiento, es posible que se deba ajustar el cable.

Compruebe el ajuste de la palanca de control de la transmisión de la siguiente manera:

1. Después de soltar la palanca de control de la transmisión, empuje suavemente la unidad hacia adelante. Debe avanzar sin problemas.
2. Engrane la palanca de control de la transmisión e intente empujar suavemente la unidad hacia adelante. Las ruedas no deben girar. La unidad no debe avanzar libremente.
3. Si viene equipada con una palanca de cambios, después de soltar la palanca de control de la transmisión, mueva la palanca de cambios hacia atrás y adelante entre la posición R2 y la posición F6 varias veces. No debería haber resistencia en la palanca de cambios.

Si falla cualquiera de las pruebas anteriores, es necesario ajustar el cable de la transmisión. Proceda de la siguiente manera:

4. Apague el motor. Consulte el Manual del operador del motor.
5. Afloje el tornillo hexagonal inferior del soporte del cable de la transmisión. Vea la Figura 2-61.

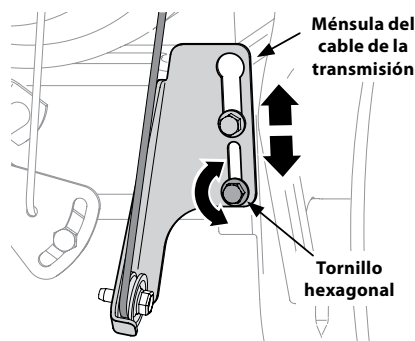


Figura 2-61

6. Ubique el soporte hacia arriba para brindar más juego (o hacia abajo para aumentar la tensión del cable).
7. Vuelva a apretar el tornillo hexagonal inferior.
8. Compruebe el ajuste de la palanca de control de la transmisión como se explicó anteriormente para verificar que se haya logrado el ajuste adecuado.

Palanca de control de la transmisión (Modelos con transmisión hidrostática) (si se incluyera)

NOTA: El control de transmisión en el caso de unidades con E-Z Chute™ no es regulable.

Cuando se suelta la palanca de control de la transmisión y está en posición desactivada "UP" (arriba), el cable debe tener muy poco juego. NO debe estar tenso.

NOTA: Si el cable de la transmisión tiene demasiado juego o si la transmisión de la unidad se desactiva intermitentemente durante el funcionamiento, es posible que se deba ajustar el cable.

1. Apague el motor. Consulte el Manual del operador del motor.
2. Afloje el tornillo hexagonal superior del soporte del cable de la transmisión. Consulte la Figura 2-62.

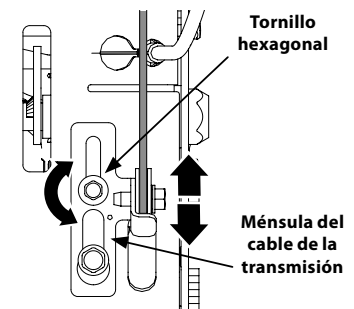


Figura 2-62

3. Ubique el soporte hacia arriba para brindar más juego (o hacia abajo para aumentar la tensión del cable).
4. Vuelva a apretar el tornillo hexagonal superior.
5. Verifique que el cable de control de la transmisión no tenga demasiado juego. Si fuera necesario, repita los pasos 2 a 4 para volver a ajustar el control de la transmisión.

Carga de combustible y aceite

Consulte el Manual del Operador del Motor para obtener información sobre cómo cargar combustible y aceite.

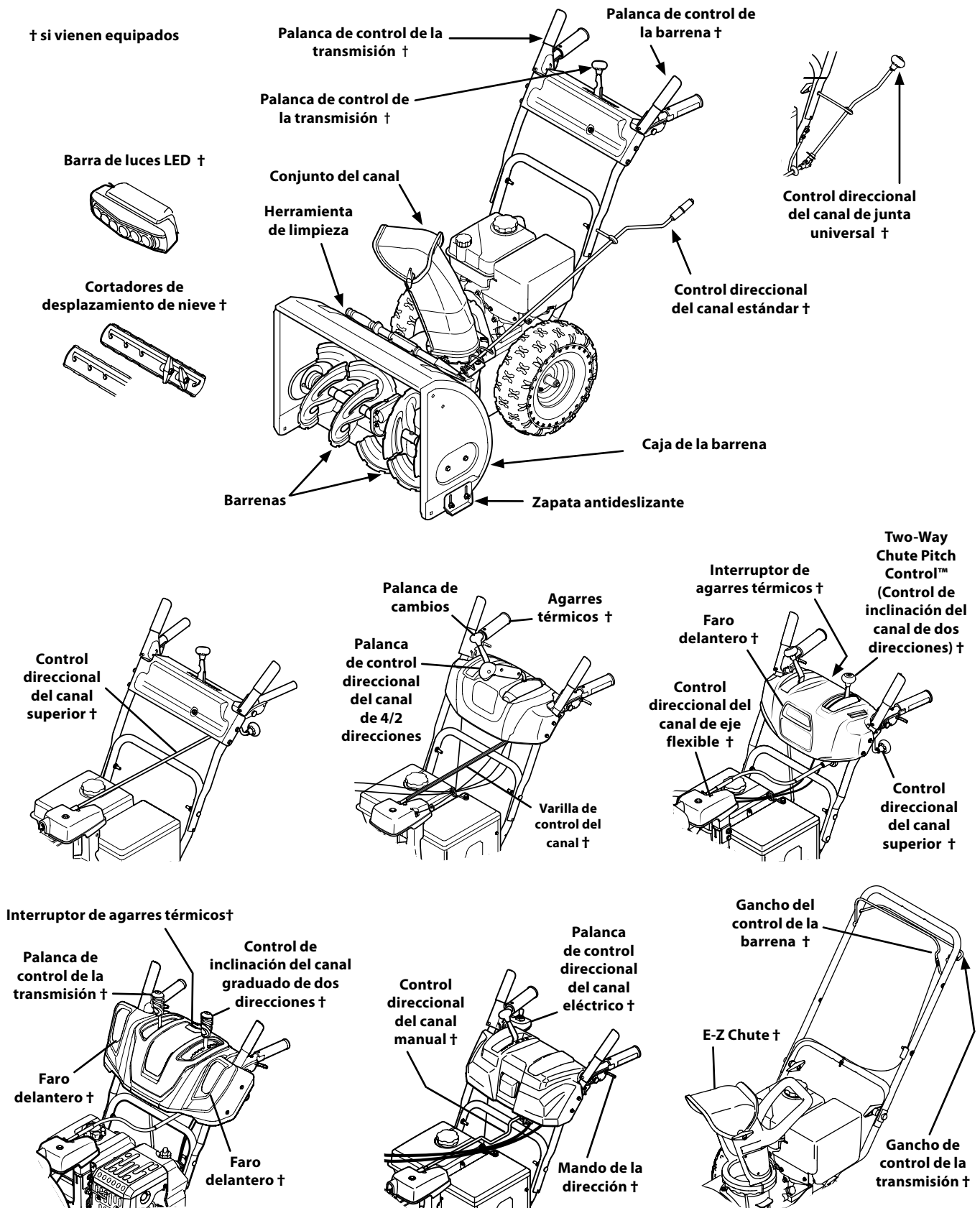


Figura 3-1

Los controles y las características de la máquina quitanieves se describen a continuación y se ilustran en la Figura 3-1.

NOTA: Este manual de operación, corresponde a numerosos modelos. Las características técnicas de la máquina quitanieves pueden variar según los modelos. No todas las características en este manual se aplican a todos los modelos de máquina quitanieves y la máquina que se ilustra aquí puede diferir de la suya.

NOTA: Todas las referencias a los lados derecho o izquierdo de la máquina quitanieves se hacen observando la misma desde la posición del operador. En caso de que hubiese una excepción, se especificará claramente.

Controles del motor

Consulte el Manual del Operador del Motor para conocer la ubicación y la descripción de los controles del motor correspondientes a su motor. El suyo puede diferir ligeramente del que se ilustra en la Figura 3-2.

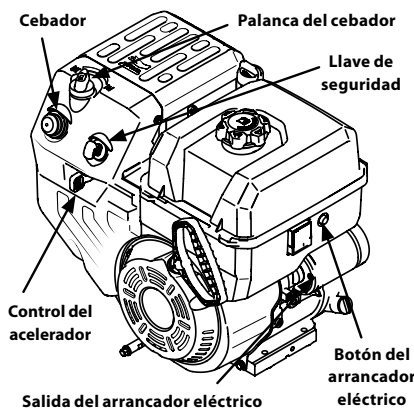


Figura 3-2

Palanca del cebador

Al activar el control del cebador se cierra la placa de cebado del carburador y se ayuda a arrancar el motor. La palanca del cebador se desliza entre las posiciones RUN (funcionamiento) y CHOKE (cebador).

Cebador

Oprima el cebador, asegurándose al hacerlo de cubrir el orificio de ventilación, de esa manera se envía combustible directamente al carburador del motor para ayudar a que arranque en climas fríos.

Llave de seguridad

La llave de seguridad es un dispositivo de seguridad. Debe estar completamente insertada para que el motor arranque. Extraiga la llave de seguridad cuando no use la máquina quitanieves.

Salida del arrancador eléctrico

Requiere el uso de un prolongador para exteriores de tres patas, con conexión a tierra y una fuente de alimentación / tomacorriente de pared de 120 V.

Botón del arrancador eléctrico

Si oprime el botón del arrancador eléctrico se activa el arrancador eléctrico del motor cuando se lo enchufa a una fuente de energía de 120 V.

Control del acelerador

El control del acelerador regula la velocidad del motor y lo apaga cuando se lo coloca en la posición STOP (detención).

Palanca de cambios (6-Speed Transmission) (si viene equipada)

La palanca de cambios está ubicada en el panel de la manija y se utiliza para determinar la velocidad absoluta y la dirección de desplazamiento.

Marcha adelante

Hay seis velocidades de marcha adelante (F). La posición uno (1) es la más lenta y la posición seis (6) es la más rápida.

Marcha atrás

Hay dos velocidades de retroceso (R). La posición uno (1) es la más lenta, y la posición dos (2) es la más rápida.

Palanca de cambios (Transmisiones hidrostáticas) (si está instalada)

La palanca de cambios está ubicada en el panel de la barra de control y se utiliza para determinar la velocidad absoluta y la dirección de desplazamiento. Cuanto más se mueva la palanca hacia adelante, más rápido se moverá la unidad. Pasada la posición de detención, hasta la dirección de reversa, la unidad se moverá en reversa.

Conjunto del canal/E-Z Chute™

La nieve empujada al interior de la caja de la barrena se descarga por el conjunto del canal.

Zapatas antideslizantes

Ubique las zapatillas antideslizantes en función de las condiciones de la superficie. Ajuste hacia arriba si la nieve está muy compactada. Ajústelas hacia abajo si usa la máquina en grava o superficies con piedras trituradas. Consulte la sección Ajuste de las zapatillas antideslizantes en la página 14.

Barrenas

Cuando están activadas, las barrenas giran y mandan la nieve hacia el interior de la caja de la barrena.

Faro delantero (Single or Double) (si viene equipado)

El faro delantero está ubicado sobre el panel de la manija y se enciende automáticamente cuando arranca el motor.

Barra de luces LED (si viene equipada)

El faro delantero LED está ubicado sobre la caja de la barrena y se enciende automáticamente cuando arranca el motor.

Cortadores de desplazamiento de nieve (si vienen equipados)

Los cortadores de desplazamiento de nieve están diseñados para ser utilizados en nieve profunda. Su uso es opcional para las condiciones normales de nieve. Maniobre la unidad de manera que los cortadores penetren una alta acumulación de nieve para ayudar a que la nieve caiga dentro de las barrenas para que sea arrojada.

Agarres térmicos (si vienen equipados)

⚠ PRECAUCIÓN
Se recomienda usar guantes para utilizar el agarre térmico. Si los agarres térmicos se calientan demasiado, apáguelos.

Para activar los agarres térmicos, mueva el interruptor que se encuentra en la parte superior (a) o posterior (b) del panel de instrumentos a la posición ON (conectado). Consulte la Figura 3-3. Para apagar los agarres térmicos, mueva el interruptor a la posición OFF (desconectado).

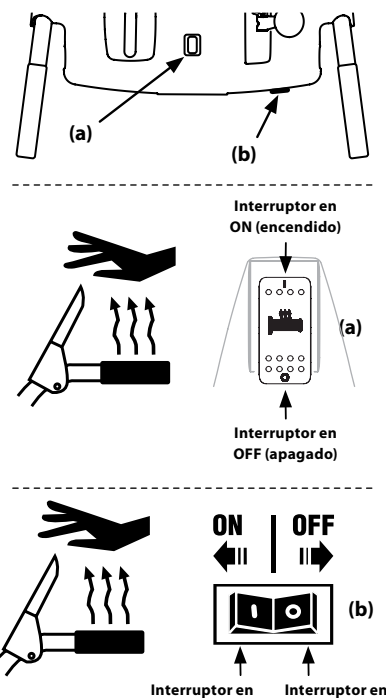


Figura 3-3

Palanca de control de la barrena

La palanca de control de la barrena está ubicada en la manija izquierda. Apriete la palanca de control contra la manija para activar las barrenas y empezar a quitar nieve. Suéltela para que se detenga. Vea la Figura 3-4.



Figura 3-4

IMPORTANTE: Consulte la Información de Control de la Barrena en la sección Montaje y Configuración antes de hacer funcionar la máquina quitanieve. Lea y cumpla todas las instrucciones con cuidado, y realice todos los ajustes para verificar que su máquina quitanieve está funcionando de forma segura y adecuada.

Palanca de control de la transmisión / Traba del embrague de la barrena*

La palanca de control de la transmisión está ubicada en la manija derecha. Oprima la palanca de control contra la manija para activar la transmisión de las ruedas. Suéltela para que se detenga. Consulte la Figura 3-5.

CONTROL DE LA TRANSMISIÓN



Figura 3-5

*En ciertos modelos, la palanca de control de la transmisión también traba la palanca de control de la barrena de manera que se pueda operar el control direccional del canal sin interrumpir el proceso de quitar la nieve. Si la palanca de control de la barrena se activa simultáneamente con la palanca de control de la transmisión, el operador puede soltar la palanca de control de la barrena (en la manija izquierda) y las barrenas continuarán activadas. Suelte ambas palancas de control para detener tanto las barrenas como la transmisión de las ruedas.

NOTA: Suelte siempre la palanca de control de la transmisión antes de cambiar de velocidad. De lo contrario, aumentará el desgaste del sistema de transmisión de su máquina.

Gancho de control de la transmisión (Unidades con canal E-Z Chute™)

Ubicado en la parte inferior del gancho superior, el control de la transmisión se utiliza para engranar / desengranar las ruedas. Apriete el control de la transmisión contra la barra de control superior para engranar las ruedas, y suéltelo para desengranarlas.

Gancho de control de la barrena (Unidades con canal E-Z Chute™)

El control de la barrena está al lado de la barra de control superior. Apriete el control de la barrena contra la barra de control superior para engranar las barrenas, y suéltelo para desengranarlas.

IMPORTANTE: Consulte la Información sobre la prueba de control de la barrena en la sección Montaje y Ajustes de este manual antes de hacer funcionar la máquina quitanieve. Lea y cumpla todas las instrucciones con cuidado, y realice todos los ajustes para verificar que su máquina quitanieve está funcionando de forma segura y adecuada.

Controles de la dirección (si vienen equipados)

Los controles de la dirección del volante izquierdo y derecho se ubican en la parte inferior de las manijas. Consulte la Figura 3-6.

IMPORTANTE: Unidades con transmisión hidrostática – Cuando mueva la unidad sin encender el motor, apriete los activadores derecho e izquierdo para desconectar la transmisión.

MANDOS DE LA DIRECCIÓN

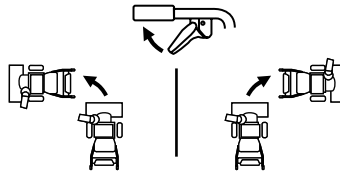


Figura 3-6

- Oprima el control derecho para girar a la derecha.
- Oprima el control izquierdo para girar a la izquierda.

⚠ PRECAUCIÓN

Opere la máquina quitanieves en espacios abiertos hasta que se familiarice con estos controles.

Control direccional del canal estándar (si viene equipado)

El control direccional del canal estándar/de junta universal está ubicado en el lado izquierdo de la unidad. Para cambiar la dirección hacia la cual se arroja la nieve, gire el control direccional del canal. Consulte la Figura 3-7.

Control direccional del canal superior (si viene equipado)

El control direccional del canal superior está ubicado en la parte posterior de la máquina quitanieves, hacia la izquierda de la unidad, debajo del panel de la manija. Para cambiar la dirección hacia la cual se arroja la nieve, gire el control direccional del canal. Consulte la Figura 3-7.

CONTROL DIRECCIONAL DEL CANAL



Figura 3-7

Palanca de control direccional del canal de 2 direcciones (si viene equipada)

La palanca de control direccional del canal de 2 direcciones está ubicada en el lado izquierdo del tablero de instrumentos.

- Para cambiar la dirección en que se quita la nieve, oprima el botón de la palanca de control y gire dicha palanca hacia la derecha o hacia la izquierda. Consulte la Figura 3-8.

CONTROL DIRECCIONAL DEL CANAL

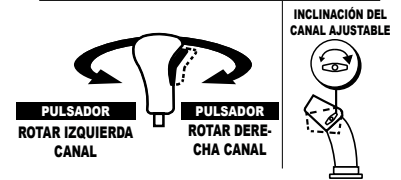


Figura 3-8

Palanca de control direccional del canal de 4 direcciones (si viene equipada)

La palanca de control direccional del canal de 4 direcciones está ubicada en el lado izquierdo del tablero de instrumentos.

- Para cambiar la dirección en que se quita la nieve, oprima el botón de la palanca de control y gire dicha palanca hacia la derecha o hacia la izquierda. Consulte la Figura 3-9.
- Para cambiar el ángulo/la distancia en que se quita la nieve, gire la palanca de control hacia adelante o hacia atrás.

CONTROL DIRECCIONAL DEL CANAL

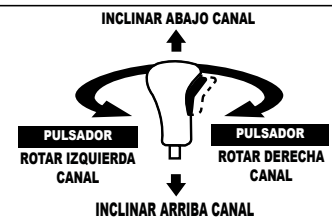


Figura 3-9

Palanca de control direccional del canal eléctrico (si está incluida)

La palanca de control direccional del canal eléctrico está ubicada en el lado derecho del tablero de instrumentos. Consulte la Figura 3-10.

- Para cambiar la dirección en que se quita la nieve, mueva la palanca de control hacia la derecha o hacia la izquierda.
- Para cambiar el ángulo/la distancia en que se quita la nieve, gire la palanca de control hacia adelante o hacia atrás.

CONTROL DIRECCIONAL DEL CANAL ELÉCTRICO

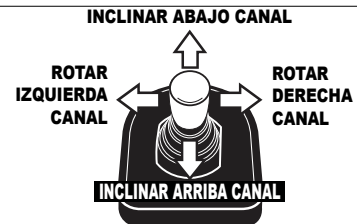


Figura 3-10

Control direccional del canal manual (Unidades con palanca de control direccional del canal eléctrico)

Si fuera necesario utilizar el control direccional del canal manual, proceda de la siguiente manera:

1. Retire el pasador de chaveta (a) de cualquiera de los orificios más alejados del conjunto del canal en el conjunto de rotación del canal. Consulte la Figura 3-11.

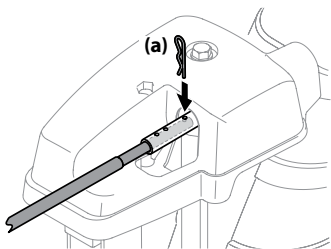


Figura 3-11

2. Empuje la varilla de control del canal hasta que el orificio de la misma quede alineado con el tercer orificio del conjunto de rotación del canal. Consulte la Figura 3-11.
3. Vuelva a insertar el pasador de chaveta (a) a través de este orificio y la varilla de control del canal como se muestra en la Figura 3-11.
4. Tome la porción deseada de la varilla de control del canal y gire el conjunto del canal manualmente hacia la derecha o hacia la izquierda. Consulte la Figura 3-12.

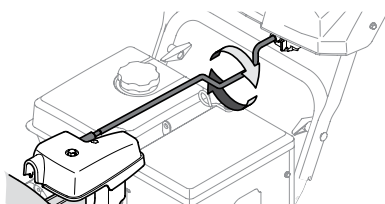


Figura 3-12

Control direccional del canal superior (con eje flexible) (Si está incluida)

El control direccional del canal superior está ubicado en la parte posterior de la unidad, hacia la izquierda, debajo del panel de la manija. Para cambiar la dirección hacia la cual se arroja la nieve, gire el control direccional del canal. Consulte la Figura 3-13.

CONTROL DIRECCIONAL DEL CANAL

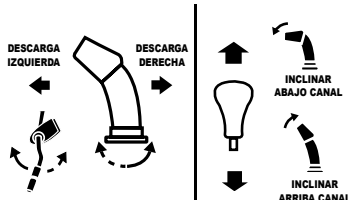


Figura 3-13

Canal E-Z Chute™ (si viene equipado)

Haga rotar el conjunto del canal hacia la izquierda o la derecha usando la manija del canal (a). Consulte la Figura 3-14.

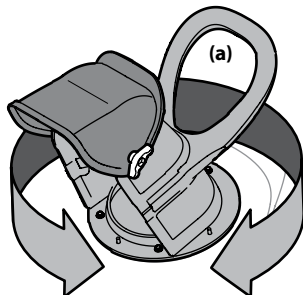


Figura 3-14

Control de inclinación del canal (si viene equipado)

El control de inclinación del canal de dos direcciones está ubicado en el lado izquierdo del tablero de instrumentos y se lo utiliza para controlar la distancia de descarga de la nieve desde el canal.

Para cambiar el ángulo del canal superior a los efectos de controlar la distancia a la cual se arroja la nieve, gire la palanca hacia adelante o hacia atrás. Consulte la Figura 3-15.

Control de inclinación del canal de dos direcciones

- **Para reducir la distancia a la cual se arroja la nieve:** Mueva la palanca hacia adelante para girar el canal superior hacia abajo. Consulte la Figura 3-15.
- **Para aumentar la distancia a la cual se arroja la nieve:** Mueva la palanca hacia atrás para girar el canal superior hacia arriba. Consulte la Figura 3-15.

Control de inclinación del canal graduado de dos direcciones

- Para reducir la distancia a la cual se arroja la nieve: Desconecte la palanca del valor actual de inclinación del canal. Mueva la palanca hacia adelante para girar el canal superior hacia abajo hasta el valor deseado de inclinación (a). Consulte la Figura 3-15.
- Para aumentar la distancia a la cual se arroja la nieve: Desconecte la palanca del valor actual de inclinación del canal. Mueva la palanca hacia atrás para girar el canal superior hacia arriba hasta el valor deseado de inclinación (a). Consulte la Figura 3-15.

Control de inclinación del canal de dos Direcciones



Control de inclinación del canal graduado de dos direcciones



Figura 3-15

Arranque y detención del motor

⚠ ¡ADVERTENCIA!

Siempre mantenga las manos y los pies alejados de las piezas móviles. No utilice fluidos comprimidos para arrancar. Los vapores son inflamables.

Consulte el Manual del operador del motor para obtener más instrucciones sobre cómo arrancar y para el motor.

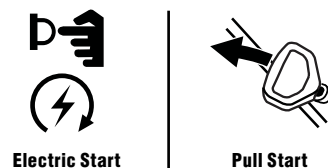


Figura 3-16

Procedimiento para engranar la transmisión

1. Con el control del regulador en posición Fast (conejo), mueva la palanca de cambios a una de las seis posiciones de avance (F) o de las dos posiciones de marcha atrás (R) en el caso de unidades con 6 velocidades o a la posición deseada en el caso de unidades con transmisión hidrostática. Seleccione una velocidad adecuada a las condiciones de nieve presentes y con la cual se sienta cómodo.
2. Oprima la palanca de control de la transmisión contra la manija y la máquina quitanieves se moverá. Suéltela y se detendrá el movimiento de la transmisión.

Procedimiento para engranar las barrenas

Para engranar las barrenas y comenzar a quitar la nieve, apriete la palanca de control de la barrena contra la manija izquierda. Suelte el control para detener las barrenas.

Para activar la transmisión (Unidades con gancho de control de la transmisión)

1. Mueva la palanca del acelerador hasta la posición Fast (rápido, representada por una liebre).
2. Para activar la transmisión, apriete el gancho de control de la transmisión completamente contra la barra de control superior para engranar las ruedas. Para detener la marcha hacia adelante, suelte el gancho de control de la transmisión.

Para activar las barrenas (Unidades con gancho de control de la barrena)

Para activar las barrenas, apriete el gancho de control de la barrena completamente contra la barra de control superior. Para detener las barrenas, suelte la barra.

Procedimiento de dirección (si viene equipada)

Con la palanca de control de la transmisión engranada, presione el control de dirección derecho para girar a la derecha. Presione el control de dirección izquierdo para girar a la izquierda.

⚠ PRECAUCIÓN

Use la máquina quitanieves en lugares abiertos y a velocidades más lentas hasta que se haya familiarizado con el control de la transmisión y se sienta cómodo operando los controles de la dirección.

Reemplazo de los pasadores de cuchilla

⚠ PRECAUCIÓN

NUNCA cambie los pasadores de cuchilla de las barrenas por otra cosa que no sea la Pieza del fabricante original N° 738-04124A (repuesto de pasadores de cuchilla color dorado), 738-05273 (repuesto de pasadores de cuchilla color negro) o 738-06654 (pasadores de cuchilla de reemplazo de cabezal hexagonal). Cualquier daño que sufra la caja de engranajes de la barrena o cualquier otro componente por no respetar la indicación precedente, NO estará cubierto por la garantía de su máquina quitanieves.

⚠ ¡ADVERTENCIA!

Siempre debe apagar el motor de la máquina quitanieves y retirar la llave antes de cambiar los pasadores de cuchilla.

Las barrenas están sujetas al eje espiral con cuatro pasadores de cuchilla (a, b o c) y pasadores de chaveta (d). La máquina quitanieves ha sido diseñada para que los pasadores se quiebren si la barrena golpea un objeto extraño o un trozo de hielo. Si las barrenas no giran, verifique si los pasadores se han quebrado. Consulte la Figura 3-17.

Máquinas quitanieves de 2 etapas

- La barrena está sujeta al eje espiral con pasadores de cuchilla de cabezal redondo (a) - Pieza del fabricante original N° 738-04124A.

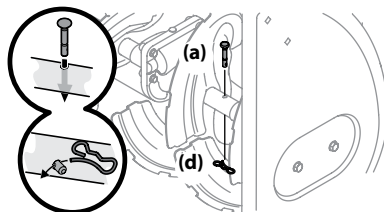


Máquinas quitanieves de 3 etapas

- Las barrenas están sujetas al eje espiral con pasadores de cuchilla de cabezal redondo de color negro (b) - Pieza del fabricante original N° 738-05273.
- Las barrenas del acelerador central están sujetas al eje espiral con los pasadores de cuchilla de cabezal hexagonal (c) - Pieza del fabricante original N° 738-06654.



Máquinas quitanieves de 2 etapas



Máquinas quitanieves de 3 etapas

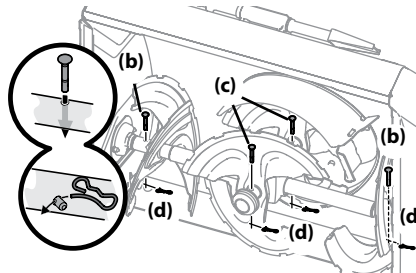


Figura 3-17

Procedimiento para eliminar la obstrucción de un conjunto de canal tapado

⚠ ¡ADVERTENCIA!

Nunca use las manos para despejar un conjunto del canal tapado. Antes de destaparlo, apague el motor y permanezca detrás de las manijas de control hasta que todas las piezas móviles se hayan detenido.

La herramienta de limpieza del canal está sujeta convenientemente a la parte posterior de la caja de la barrena con un pasador de ensamblado. Si se acumulan nieve y hielo en el conjunto del canal durante el funcionamiento, proceda como se indica a continuación para despejar de manera segura el conjunto del canal y la abertura del canal:

1. Suelte tanto la palanca de control de la barrena como la palanca de control de la transmisión.
2. ¡APAGUE EL MOTOR! Consulte el Manual del operador del motor. Extraiga la llave de seguridad.
3. Saque la herramienta de limpieza del pasador que la sujeta a la parte posterior de la caja de la barrena.
4. Use el extremo con forma de pala de la herramienta de limpieza para destrabar y recoger la nieve y el hielo que se hayan acumulado en el interior y cerca del conjunto del canal. Utilice siempre la herramienta de limpieza (N.º de pieza 931-2643), no use las manos. Consulte el suplemento que se adjunta por separado para obtener la información que se requiere para pedir la herramienta de limpieza. Consulte la Figura 3-18.
5. Vuelva a sujetar la herramienta de limpieza al pasador de ensamblado ubicado en la parte posterior de la caja de la barrena, inserte de nuevo la llave de seguridad y encienda el motor de la máquina quitanieves.
6. Parado en la posición del operador (detrás de la máquina quitanieves), engrane la palanca de control de la barrena durante unos segundos para eliminar la nieve o el hielo que hayan quedado en el conjunto del canal.

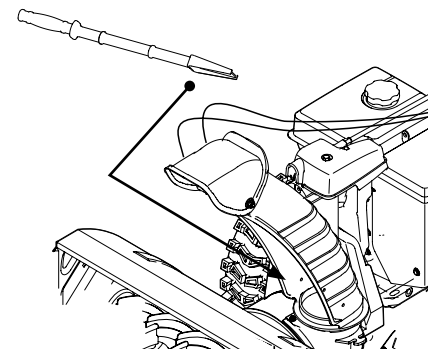


Figura 3-18

⚠ ¡ADVERTENCIA!

Antes de realizar tareas de mantenimiento, reparación o inspección en la máquina quitanieves, desengrane la palanca de control de la barrena. Pare el motor y retire la llave de seguridad para evitar el encendido accidental del motor.

Solución de problemas

El motor no arranca

- El cebador no está en la posición CHOKE (cebador).
 - Ponga el cebador en la posición CHOKE (cebador).
- Se ha desconectado el cable de bujía.
 - Conecte el cable a la bujía.
- El depósito de combustible está vacío o el combustible se ha echado a perder.
 - Llene el depósito con combustible limpio y nuevo.
- El motor no está cebado.
 - Utilice el cebador del motor como se explica en el Manual del motor.
- La bujía no funciona correctamente.
 - Límpiala, ajuste la distancia disruptiva o cámbiela.
- La llave de seguridad no está en el interruptor.
 - Inserte la llave de seguridad totalmente dentro del interruptor.
- El prolongador no está conectado (cuando se usa el botón de arranque eléctrico, en los modelos que lo tienen equipado).
 - Conecte un extremo del prolongador a la salida del arrancador eléctrico y el otro extremo a un tomacorriente de CA, de 120 voltios con conexión a tierra, para tres patas.

El motor funciona de manera errática/RPM desiguales (oscilación o sobretensión)

- El motor está funcionando en la posición CHOKE (cebador).
 - Mueva la palanca del cebador a la posición RUN (marcha).
- El combustible se echó a perder.
 - Llene el depósito con combustible limpio y nuevo.
- Hay agua o suciedad en el sistema de combustible.
 - Vacíe el tanque de combustible. Vuelva a llenar con combustible nuevo.
- Es necesario regular el carburador.
 - Comuníquese con un centro de servicio autorizado.

- Exceso de regulación del motor.
 - Comuníquese con un centro de servicio autorizado.

El motor recalienta

- El nivel de aceite del motor está bajo.
 - Llene el motor con la cantidad adecuada de aceite para motor.

Vibración excesiva

- Hay piezas que están flojas o la barrena está dañada.
 - Detenga el motor de inmediato y desconecte el cable de la bujía. Ajuste todos los pernos y las tuercas. Si continúa la vibración, haga revisar la unidad por un centro de servicio autorizado para realizar el mantenimiento.

La unidad no se autoimpulsa

- El cable del control de transmisión necesita un ajuste.
 - Ajuste el cable del control de la transmisión. Consulte la sección Servicio en la página 16.
- La correa de transmisión está floja o dañada.
 - Reemplace la correa de transmisión. Consulte la sección Servicio en la página .
- La rueda de fricción está desgastada.
 - Reemplace la rueda de fricción. Consulte la sección Servicio en la página 26.

La unidad no descarga la nieve

- El conjunto del canal está obstruido.
 - Pare el motor de inmediato y desconecte el cable de la bujía. Consulte el Manual del operador del motor. Limpie el conjunto del canal y el interior de la caja de la barrena con la herramienta de limpieza. Consulte Procedimiento para eliminar la obstrucción de un conjunto de canal tapado en la página 21.
- Hay un objeto extraño en la barrena.
 - Pare el motor de inmediato y desconecte el cable de la bujía. Consulte el Manual del operador del motor. Retire el objeto de la barrena con la herramienta de limpieza. Consulte Procedimiento para eliminar la obstrucción de un conjunto de canal tapado en la página 21.
- El cable del control de la barrena necesita un ajuste.
 - Consulte el Control de barrena en la página 15.

- La correa de la barrena está floja o dañada.
 - Consulte la sección Servicio en la página 24 - 25.
- El o los pasadores de cuchilla está(n) quebrado(s).
 - Reemplace con nuevo(s) pasador(es) de cuchilla en la página 21.

El canal no gira fácilmente 180-200 grados

- El canal está mal ensamblado.
 - Desarme el control del canal y vuelva a armarlo como se indica en la sección Montaje y Configuración.

La unidad quita la nieve en lugar de soplarla

- Velocidad absoluta baja/lenta en nieve húmeda/semi derretida de 1-3" de profundidad.
 - Aumente la velocidad absoluta y utilice siempre el motor de la máquina quitanieves con la aceleración MÁXIMA. Consulte la sección Controles y funcionamiento en la página 21.
- El o los pasadores de cuchilla está(n) quebrado(s).
 - Reemplace con nuevo(s) pasador(es) de cuchilla. Consulte la sección Controles y funcionamiento en la página 21.

La manivela del canal superior no queda fija mientras se arroja la nieve con un control de canal superior

- Precarga insuficiente aplicada al control del canal.
 - Consulte la sección Servicio de la página para ajustar la precarga del canal en la página 24.

Mantenimiento

Motor

Consulte el Manual del operador del motor.

Presión de los neumáticos

Consulte la sección Montaje y Configuración (página 15) para obtener información sobre la presión de los neumáticos.

Placa de raspado y zapatas antideslizantes

La placa de raspado y las zapatas antideslizantes ubicadas en la base de la máquina quitanieves están sujetas a desgaste. Debe controlarlas periódicamente y reemplazarlas cuando sea necesario.

NOTA: Las zapatas antideslizantes de lujo (en determinados modelos) tienen dos bordes de desgaste. Cuando un lado se desgasta, se las puede rotar 180° para usar el otro borde.

Para retirar las zapatas antideslizantes (se muestran las Deluxe):

- Extraiga los cuatro pernos de carro (a) y las tuercas de brida hexagonales (b) y las arandelas planas (c) que las sujetan a la unidad.
- Gire y vuelva a montar las zapatas antideslizantes nuevas con los cuatro pernos de carro (a) (dos a cada lado) y las tuercas de brida hexagonales (b) y las arandelas planas (c). Consulte la Figura 4-1.

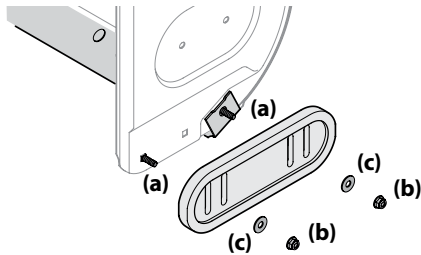


Figura 4-1

Para retirar la placa de raspado:

- Deje el motor en marcha hasta que se acabe el combustible. No intente verter combustible del motor.
- Gire con cuidado la unidad hacia arriba y hacia adelante de manera que quede apoyada sobre la caja de la barrena.
- Extraiga los pernos de carro (a) y las tuercas hexagonales (b) que la sujetan a la caja de la barrena. Consulte la Figura 4-2.

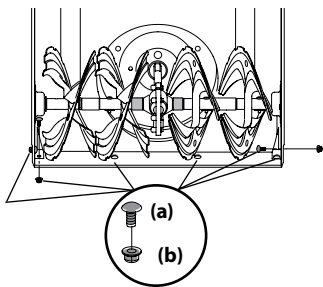


Figura 4-2

- Vuelva a montar la placa de raspado nueva, asegurándose de que las cabezas de los pernos de carro estén orientadas hacia el lado interior de la caja. Ajuste firmemente. Consulte la Figura 4-2.

NOTA: La placa de raspado en determinadas unidades (se muestran en la Figura 4-3) tienen un borde de desgaste que se puede ajustar hacia adelante a fin de prolongar su vida útil. A medida que se desgasta la placa de raspado, se la puede mover a una segunda posición.

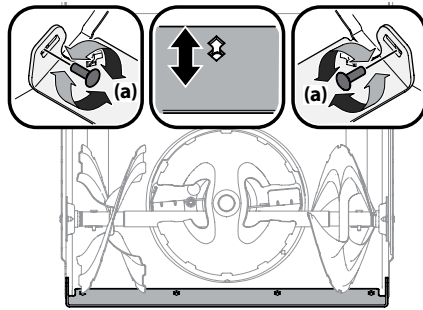


Figura 4-3

Para mover la placa de raspado ajustable (si viene equipada):

- Deje el motor en marcha hasta que se acabe el combustible. No intente verter combustible del motor.
- Gire con cuidado la unidad hacia arriba y hacia adelante de manera que quede apoyada sobre la caja de la barrena.
- Afloje los pernos posteriores de las zapatas (a) a ambos lados de la caja del equipo y extraiga los pernos de carro y las tuercas hexagonales que sujetan la placa de raspado a la caja de la barrena. Consulte la Figura 4-3.
- Deslice la placa de raspado hacia abajo hasta la segunda posición. Coloque nuevamente todos los pernos y ajústelos con firmeza. Consulte la Figura 4-3 y Figura 4-2.

Almacenamiento Fuera de Temporada

Si no se va a usar la unidad durante 30 días o más, siga las instrucciones de almacenamiento que se incluyen a continuación.

- Haga funcionar el motor hasta que el depósito de combustible quede vacío y el motor se detenga debido a la falta de combustible. No intente verter combustible del motor.
- Lubrique la máquina como se indica en la página 23.
- Almácela en un lugar limpio y seco.
- Si almacena la unidad en un lugar mal ventilado, debe realizarle un tratamiento antioxidante usando un aceite ligero o silicona para cubrir la máquina quitanieves.
- Limpie el exterior del motor y de la máquina quitanieves.

IMPORTANTE: Cuando se almacena la unidad o cuando no se le está realizando el servicio, debe permanecer en la posición de funcionamiento con ambas ruedas y la caja de la barrena sobre el suelo.

Lubricación

Ruedas

Retire ambas ruedas al menos una vez cada temporada. Limpie y recubra los ejes con una grasa para automotores multiuso antes de volver a colocar las ruedas.

Control direccional del canal (si viene equipado)

Lubrique el manguito del perno de ojo y la espiral con aceite 3-en-1 una vez por temporada.

Eje de engranaje

El eje de engranaje (hexagonal) se debe lubricar al menos una vez por temporada o después de cada lapso de 25 horas de funcionamiento.

- Deje el motor en marcha hasta que se acabe el combustible.
- Gire con cuidado la unidad hacia arriba y hacia adelante de manera que quede apoyada sobre la caja de la barrena.
- Saque la cubierta del marco desde debajo de la unidad, para lo que debe extraer los tornillos autorroscantes (a) que la sujetan. Consulte la Figura 4-4.

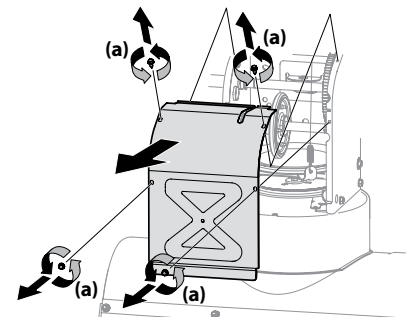


Figura 4-4

- Aplique una capa ligera del compuesto Bostik Regular Grade Never-Seez® al eje hexagonal. Consulte la Figura 4-5.

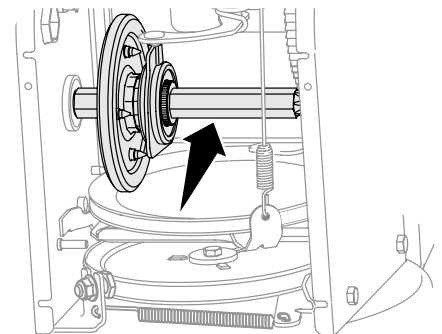
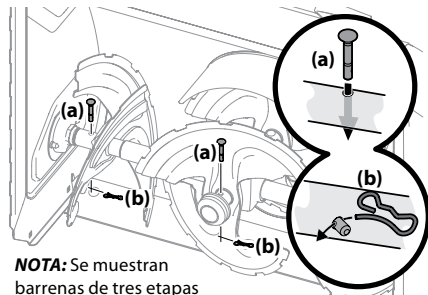


Figura 4-5

NOTA: Al lubricar el eje hexagonal, cuide que el lubricante no llegue a la placa de transmisión de aluminio o la rueda de fricción de caucho. Si eso ocurre, el sistema de transmisión de la unidad se verá comprometido. Limpie el lubricante excedente o derramado.

Eje de la barrena

Al menos una vez por temporada, quite los pasadores de cuchilla (a) y los pasadores de chaveta (b) del eje de la barrena. Rocíe lubricante en el interior del eje y alrededor de los separadores y los cojinetes bridados que se encuentran en ambos extremos del eje. Consulte la Figura 4-6.



NOTA: Se muestran barrenas de tres etapas

Figura 4-6

IMPORTANTE: En las unidades de 3 etapas, hay un pasador de cuchilla adicional en el acelerador trasero.

Ajustes

Varilla de cambios (si viene equipada)

Consulte Varilla de cambios en la página 16 para obtener instrucciones sobre el ajuste de la varilla de cambios.

Cable de cambios (si viene equipado)

Consulte Cable de cambios en la página 15 para obtener instrucciones sobre el ajuste de la varilla de cambios.

Control de la barrena (si viene equipada)

Consulte la sección Montaje y Configuración para ver las instrucciones de ajuste del cable de control de la barrena.

Control de la transmisión (si viene equipado)

Consulte Control de la transmisión en la página 16 para obtener instrucciones sobre el ajuste del cable de control de la transmisión.

Zapatas antideslizantes

Consulte la sección Montaje y Configuración (página 14) para ver las instrucciones del ajuste de las zapatas antideslizantes.

Soporte del canal (si viene equipado)

Si la espiral que está ubicada en la parte inferior del control direccional del canal no se engrana completamente con el conjunto del canal, significa que es necesario ajustar el soporte del canal. Para hacerlo:

1. Afloje las dos tuercas (a) que sujetan el soporte del canal y cambie su posición ligeramente. Consulte la Figura 4-7.

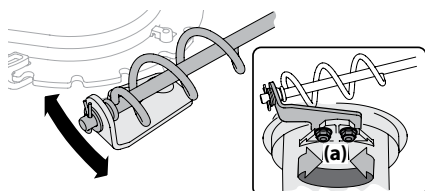


Figura 4-7

2. Vuelva a ajustar las tuercas.

Varilla de control del canal (Control del canal de 2 y 4 direcciones) (si viene equipada)

Para ajustar la varilla de control del canal a fin de aumentar el enganche en el control del panel de la manija, proceda de la siguiente manera:

1. Extraiga el pasador de horquilla (a) del orificio más cercano al conjunto del canal en el conjunto de rotación del canal.
2. Retire la varilla de control del canal hasta que el orificio de la misma quede alineado con el segundo orificio del conjunto de rotación del canal. Consulte la Figura 4-8.

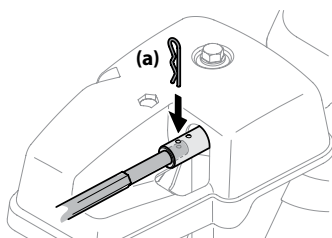


Figure 4-8

3. Vuelva a insertar el pasador de horquilla (a) a través de este orificio y de la varilla de control del canal.

Conjunto del canal /E-Z Chute™

Consulte la sección Montaje y Configuración (página 15) para ver las instrucciones del ajuste del conjunto del canal/E-Z Chute™.

Conjunto del canal (Control del canal superior) (si viene equipado)

Si el canal se mueve durante el funcionamiento, se puede ajustar la precarga del canal para lo que se debe ajustar la tuerca hexagonal que está en el frente del conjunto de control del canal.

1. A fin de aumentar la precarga, ajuste la tuerca hexagonal (a) en el sentido de las agujas del reloj con intervalos de ¼ de giro. Se deberá mantener fija la varilla de control del canal (b) mientras se ajusta la tuerca. Consulte la Figura 4-9.

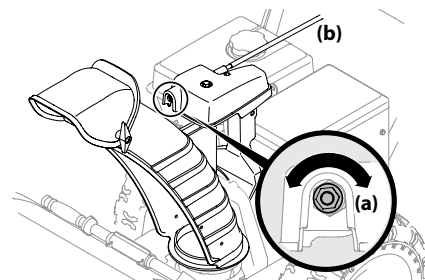


Figura 4-9

2. Si resulta difícil girar el control direccional del canal, reduzca la precarga para lo que debe aflojar la tuerca hexagonal en el sentido contrario a las agujas del reloj con intervalos de ¼ de giro.

Servicio

Reemplazo de la correa de barrena (Series 500, 600 y 800)

Para extraer y cambiar la correa de la barrena, proceda de la siguiente manera:

1. Deje el motor en marcha hasta que se acabe el combustible. No intente verter combustible del motor.
2. Saque la cubierta plástica de la correa ubicada que está en el frente del motor. Para ello saque los dos tornillos autorroscantes (a). Consulte la Figura 4-10.

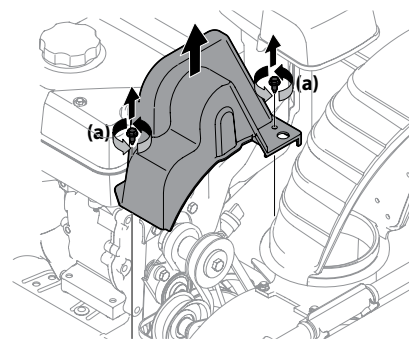


Figura 4-10

NOTA: En los modelos que están equipados con faros LED sobre la caja de la barrena, asegúrese de desenchufar el arnés de cables antes de extraer la cubierta de la correa, como se indica en la Figura 4-11.

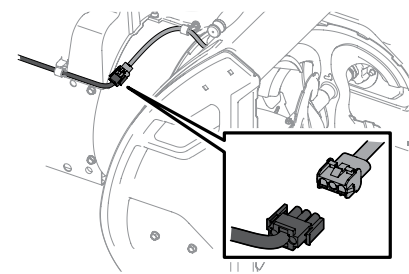


Figura 4-11

3. Haga rodar la correa de la barrena para sacarla de la polea del motor. Consulte la Figura 4-12.

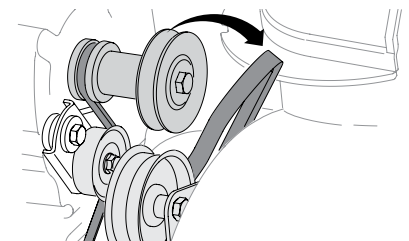
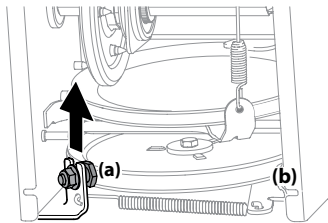


Figura 4-12

4. Gire con cuidado la unidad hacia arriba y hacia adelante de manera que quede apoyada sobre la caja de la barrena.
5. Saque la cubierta del marco desde debajo de la unidad, para lo que debe extraer los tornillos autorroscantes que la sujetan. Consulte la Figura 4-4.
6. Afloje y extraiga el perno con reborde (a) que actúa como guardacorreas. Consulte la Figura 4-13.



NOTA: Se muestra una unidad de velocidad variable.

Figura 4-13

7. Retire la correa de alrededor de la polea de la barrena y deslice la misma entre la ménsula de soporte y la polea de la barrena. Consulte la Figura 4-14.

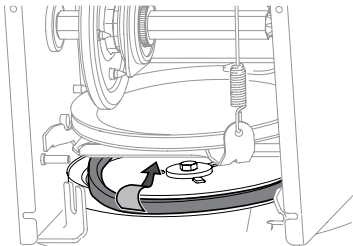


Figura 4-14

NOTA: Si se engrana el control de la barrena, se facilita quitar y volver a colocar la correa.

8. Para volver a colocar la correa de la barrena, siga las instrucciones en el orden inverso.

NOTA: Asegúrese de volver a colocar el perno con reborde (a) y conecte nuevamente el resorte al marco luego de colocar la correa de la barrena de repuesto. Consulte la Figura 4-13.

9. Después de reemplazar la correa de la barrena, realice la prueba de control de la barrena que se describe en la sección Montaje y configuración (página 15).

Reemplazo de la correa de barrena (Series 300)

1. Deje que el motor funcione hasta que se queda sin combustible. No trate de verter el combustible del motor.
2. Retire la llave para evitar el encendido accidental.

Retire el tornillo autorroscante se muestra en la Figura 4-15, y presione las lengüetas de plástico para liberar la cubierta de la correa. Tire de la cubierta de la correa hacia arriba y fuera de todo el conjunto del motor y el canal. Déjelo a un lado y ahorrar.

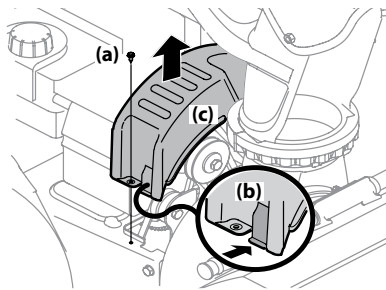


Figura 4-15

3. Incline la máquina quitanieve hacia arriba y hacia adelante de manera que quede apoyada sobre la caja de la barrena. Retire el guardacorrea como se indica en la Figura 4-16. Regrese la máquina quitanieve a su posición vertical para completar los siguientes pasos.

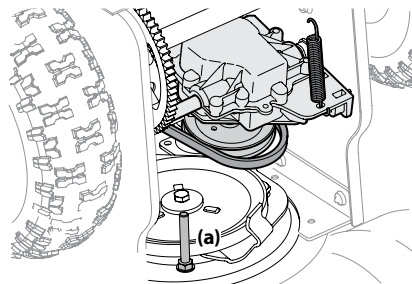


Figura 4-16

4. Deslice la correa de la barrena frontal fuera de la polea del motor empujándola hacia adelante y haciéndola rodar fuera de la polea. Vea la Figura 4-17.

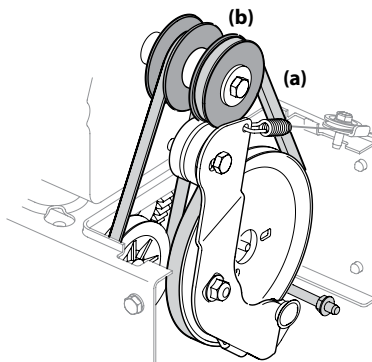


Figura 4-17

5. Apriete la barra de control de la barrena para soltar el freno de la barrena, que es la lengüeta que sujeta la correa sobre la polea de la barrena. Retire la correa.
6. Reemplácela por la nueva correa después de volver a colocar la correa de la transmisión.
7. Después de reemplazar la correa de la barrena, realice la prueba de control de la barrena que se describe en la sección Montaje y configuración (página 15).

Reemplazo de la correa de transmisión (Series 500, 600 y 800)

NOTA: Solicite al distribuidor de mantenimiento autorizado que efectúe el reemplazo de la correa de transmisión o comuníquese con el Servicio de Atención al Cliente.

Reemplazo de la correa de transmisión (Serie 300)

1. Extraiga la correa de la barrena como se indica en la página 25.
2. Quite el resorte que conecta la transmisión a un perno en el cuadro del motor. Vea la Figura 4-18.

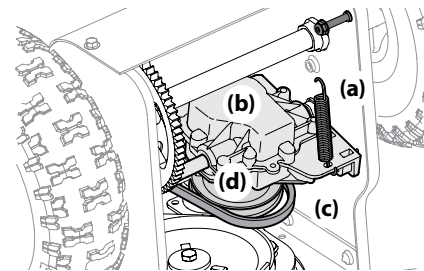


Figura 4-18

NOTA: Puede ser más fácil retirar la tuerca de seguridad bridada en primer lugar, y luego usar pinzas de punta de aguja para sujetar con firmeza el resorte y retirarlo del perno.

3. Gire la transmisión hacia adelante para soltar la presión en la correa de transmisión. Retire la correa de la polea de transmisión.
4. Quite la correa de transmisión de alrededor de la polea del motor y sáquela de la unidad. Consulte la Figura 4-19.

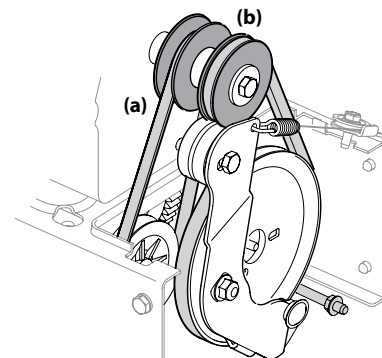


Figura 4-19

5. Instale una nueva correa de transmisión dentro de la ranura de la polea del motor. Consulte la Figura 4-19.
6. Incline la transmisión hacia adelante y ubique la correa de transmisión en la polea de transmisión. Consulte la Figura 4-18.
7. Vuelva a conectar el resorte al perno en el marco del motor y ajuste la tuerca de transmisión. Vuelva a instalar la tuerca de seguridad bridada. Consulte la Figura 4-18.
8. Reinstale la correa de la barrena según las instrucciones de la página 25.
9. Vuelva a montar la cubierta de la correa en la máquina quitanieve.
10. Vuelva a montar el guardacorrea a la caja.

Inspección de la rueda de fricción (Serie 500 orientable y Serie 600 de velocidad única y no orientable)

Si la unidad no se mueve cuando la palanca de control de la transmisión está engranada, y si al realizar el ajuste del cable de control de la transmisión el problema no se corrige, es posible que deba reemplazar la rueda de fricción.

NOTA: Para cambiar la goma de la rueda de fricción de la unidad, es necesario retirar varios componentes y se requieren herramientas especiales. Solicite al distribuidor de mantenimiento autorizado que efectúe el reemplazo de la goma de la rueda de fricción o comuníquese con el Servicio de Atención al Cliente.

Para inspeccionar la rueda de fricción, proceda de la siguiente manera:

1. Deje el motor en marcha hasta que se acabe el combustible. No intente verter combustible del motor.
2. Gire con cuidado la unidad hacia arriba y hacia adelante de manera que quede apoyada sobre la caja de la barrena.
3. Saque la cubierta del marco desde debajo de la unidad, para lo que debe extraer los cuatro tornillos autorroscantes que la sujetan. Consulte la Figura 4-4.
4. Examine la rueda de fricción a fin de detectar si presenta signos de desgaste o grietas.

Extracción de la rueda de fricción (Serie 600 de velocidad variable y no orientable)

Si la unidad no se mueve cuando la palanca de control de la transmisión está engranada, y si al realizar el ajuste del cable de control de la transmisión el problema no se corrige, es posible que deba reemplazar la rueda de fricción. Siga las instrucciones que aparecen a continuación. Examine la rueda de fricción a fin de detectar si presenta signos de desgaste o grietas, y reemplácela si es necesario.

1. Deje el motor en marcha hasta que se acabe el combustible. No intente verter combustible del motor.
2. Coloque la palanca de cambios en la primera posición de avance (F1).
3. Gire con cuidado la unidad hacia arriba y hacia adelante de manera que quede apoyada sobre la caja de la barrena.
4. Saque la cubierta del marco desde debajo de la unidad, para lo que debe extraer los tornillos autorroscantes que la sujetan. Consulte la Figura 4-4. Extraiga la rueda derecha para lo que debe sacar el tornillo y la arandela de campana que la sujetan al eje. Consulte la Figura 4-20.

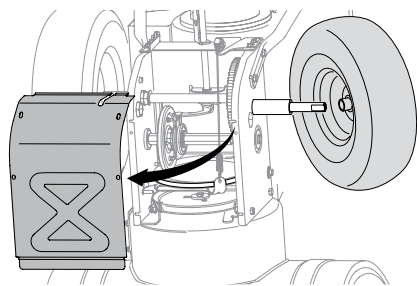


Figura 4-20

5. Extraiga con precaución la tuerca hexagonal (a) que sujeta el eje hexagonal al marco del equipo y golpee ligeramente el extremo del eje a fin de desplazar el cojinete de bolas del lado derecho del marco. Consulte la Figura 4-21.

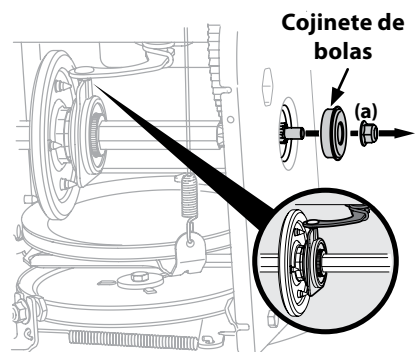


Figura 4-21

NOTA: Actúe con precaución para evitar que se dañen las roscas del eje.

6. Con cuidado, ubique el eje hexagonal hacia abajo y hacia la izquierda antes de deslizar con precaución el conjunto de la rueda de fricción fuera del eje. Consulte la Figura 4-22.

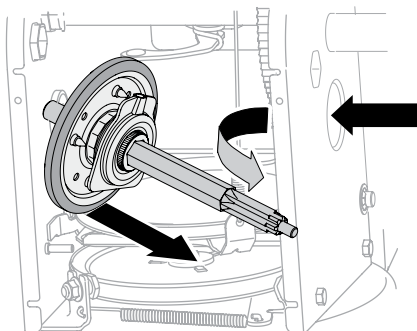


Figura 4-22

NOTA: Si desea reemplazar el conjunto de la rueda de fricción completo, descarte la pieza desgastada y deslice la nueva pieza en el eje hexagonal.

7. Para reensamblar los componentes, siga los pasos anteriores en el orden inverso.
8. Realice la prueba de la palanca de control de la transmisión que se indica en la página 16.

Si está desmontando la rueda de fricción para reemplazar únicamente el anillo de goma, proceda como se indica a continuación:

NOTA: No todas las ruedas de fricción se pueden reparar. Si ese es el caso, simplemente reemplace el conjunto de la rueda de fricción.

9. Extraiga los cuatro tornillos (a) que mantienen unidas las placas laterales de la rueda de fricción. Consulte la Figura 4-23.

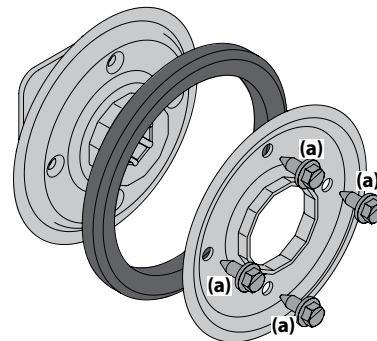


Figura 4-23

10. Retire el anillo de goma de entre las placas.
11. Vuelva a montar las placas laterales con un nuevo anillo de goma.

NOTA: Al reensamblar el conjunto de la rueda de fricción, asegúrese de que el anillo de goma esté centrado y asentado correctamente entre las placas laterales.

Apriete cada tornillo sólo una vuelta antes de girar la rueda en el sentido de las agujas del reloj y proceder con el siguiente tornillo. Repita este proceso varias veces para asegurarse de que las placas se sujeten con la misma fuerza (entre 145-115 pies-libras).

12. Vuelva a deslizar el conjunto de la rueda de fricción sobre el eje hexagonal y siga los pasos anteriores en el orden inverso a fin de reensamblar los componentes.
13. Después de reemplazar la rueda de fricción, realice la prueba de la palanca de control de la transmisión que se indica en la página 16.

NOTA: Compruebe que el pasador de la palanca de cambios esté en su lugar en el alojamiento del cojinete. Consulte el recuadro la Figura 4-21 inset.

Transmisión hidrostática (si se incluyera)

NOTA: Consulte con su distribuidor de servicio autorizado para hacer revisar la transmisión hidrostática o comuníquese con Asistencia al Cliente para que le informen el nombre de su distribuidor de servicio más cercano.

Transmisión de velocidad única (modelos equipados con E-Z Chute)

NOTA: Consulte con su distribuidor de servicio autorizado para hacer revisar la transmisión de velocidad única o comuníquese con Asistencia al Cliente para que le informen el nombre de su distribuidor de servicio más cercano.